



Models
OMGC-8D
OMGC-8DP
OMGC-9D
OMGC-9DP

OMGC
GAS-FIRED
HOT WATER BOILERS

PARTS AND OPTIONAL ACCESSORIES

Ordering Instructions

Order Parts through your nearest supplier.

When ordering parts, obtain Model Number and Serial Number from data plate on your boiler.

Include following information when ordering.

Part Number _____

Part Description _____

Boiler Model Number _____

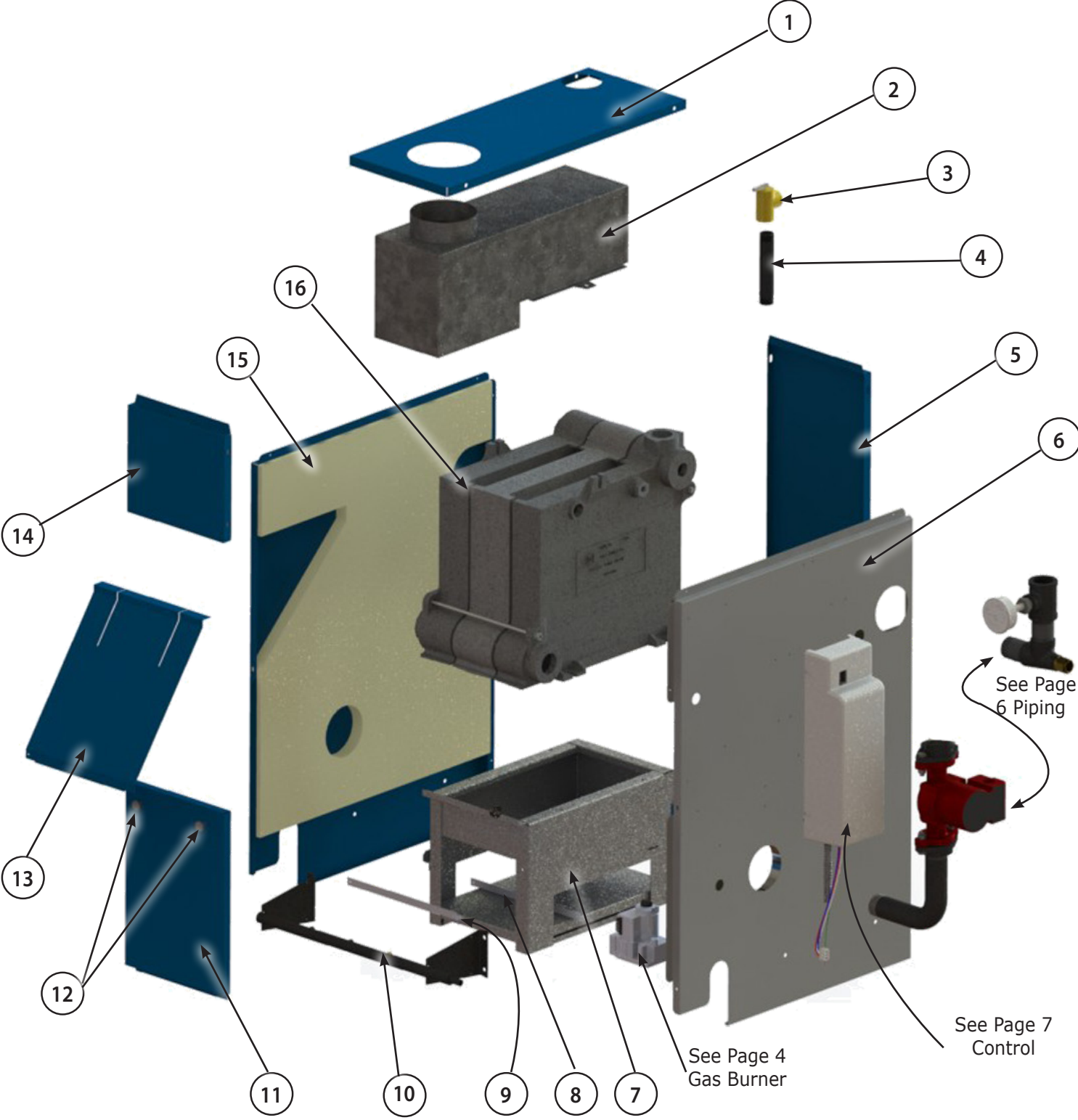
Boiler Serial Number _____



ECR international
EST. 1928
A Family of Heating & Cooling Brands.

Manufactured by:
ECR International, Inc.
2201 Dwyer Avenue, Utica NY 13501
web site: www.ecrinternational.com

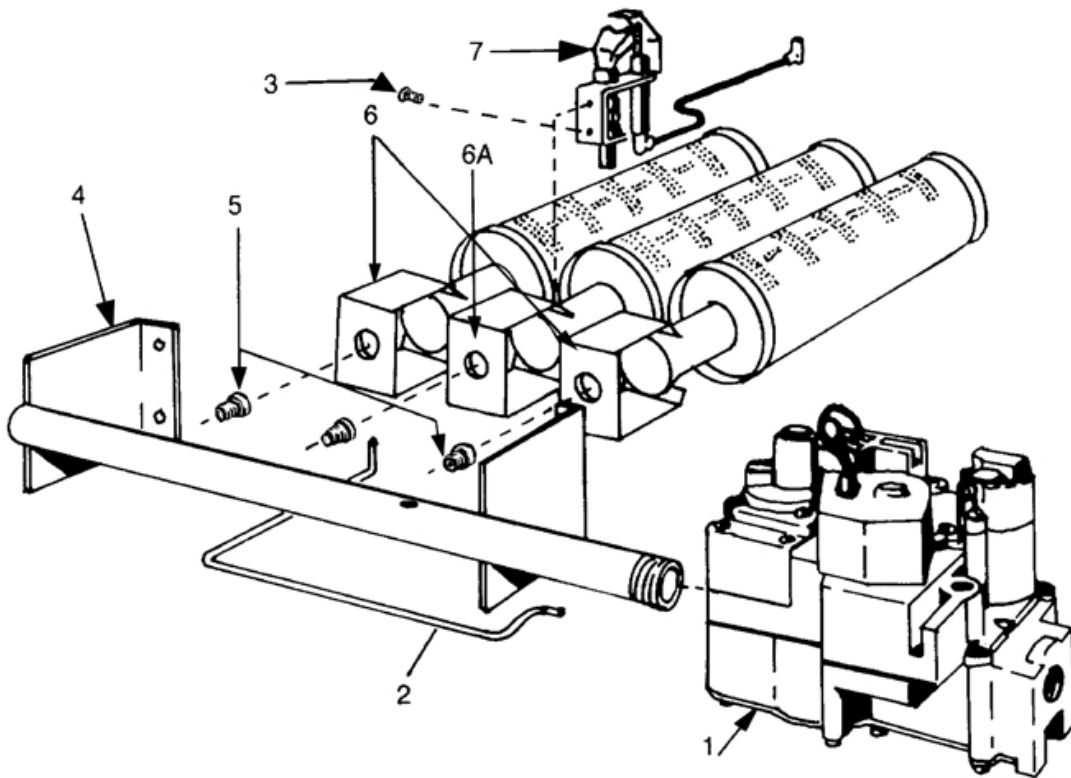
REPAIR PARTS



JACKET ASSEMBLY

	DESCRIPTION	8	9
		SECTION	SECTION
		Part No.	Part No.
1	Jacket, Top Panel	42500848AC	42500849AC
2	Draft Diverter	42500678	42500679
3	3/4" ASME Safety Relief Valve	14622011	
4	3/4" x 6 1/2" Adapter	14607002	
5	Jacket, Back Panel	42500838AC	42500839AC
6	Jacket, Right Side Panel	109008574AD	
7a	Base	42500668	42500669
7b	Base Insulation	14614130	
	- Base Sides (2)	14614118	14614119
	- Base Front	14614128	14614129
	- Base Rear		
8	Base Baffle	42500648	42500649
9	Jacket Tie Bar	42500658	42500659
10	Gas Manifold	See Pages 4	
11	Jacket, Diverter Panel	42500828AC	42500829AC
12	Knob, Service Door (Pair)	13702153	
13	Jacket, Diverter (Service Door)	42500828AC	42500829AC
14	Jacket, Front Panel	42500808AC	42500809AC
15	Jacket, Left Side Panel	109008736AD	
16	Block Assembly	41000831	41000931
‡	Jacket Complete	550002546	550002547
‡	Combustible Floor Plate	14614032	
‡	Cerafelt Gasket (sold per foot)	14614018	14614018
‡	Vent Damper	240006939	
‡	Base Assembly (7A, 7B, 8)	43300668	43300669
‡ Not illustrated			

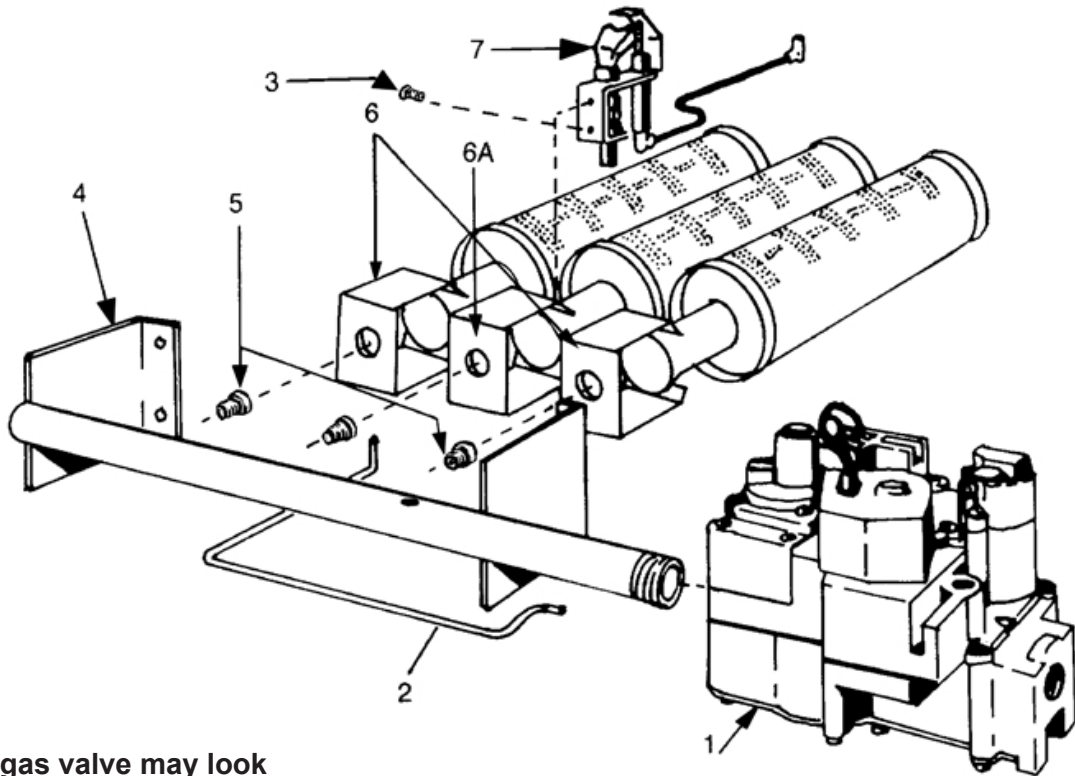
Natural Gas Only



NOTE: Actual gas valve may look different than gas valve shown

NATURAL GAS (ONLY) BURNER & MANIFOLD PARTS			
KEY NO.	DESCRIPTION		
		8 Section	9 Section
1	Gas Valve, Natural Gas	14662058	14662058
2	Pilot Tube	14615006	14615006
3	10-32 x 3/16" Slotted Hex Head Screws	14695301	14695301
4	Gas Manifold	14616015	14616016
5	Main Burner Orifice*	14615035	14615035
6	Main Burner Regular**	14615532	14615532
6A	Main Burner, Pilot Mount	14615531	14615531
7	Intermittent Pilot	240011102	240011102
‡	Rollout Shield	42500938	42500939
*Requires 1 less than the number of sections.			
**Requires 2 less than the number of sections.			

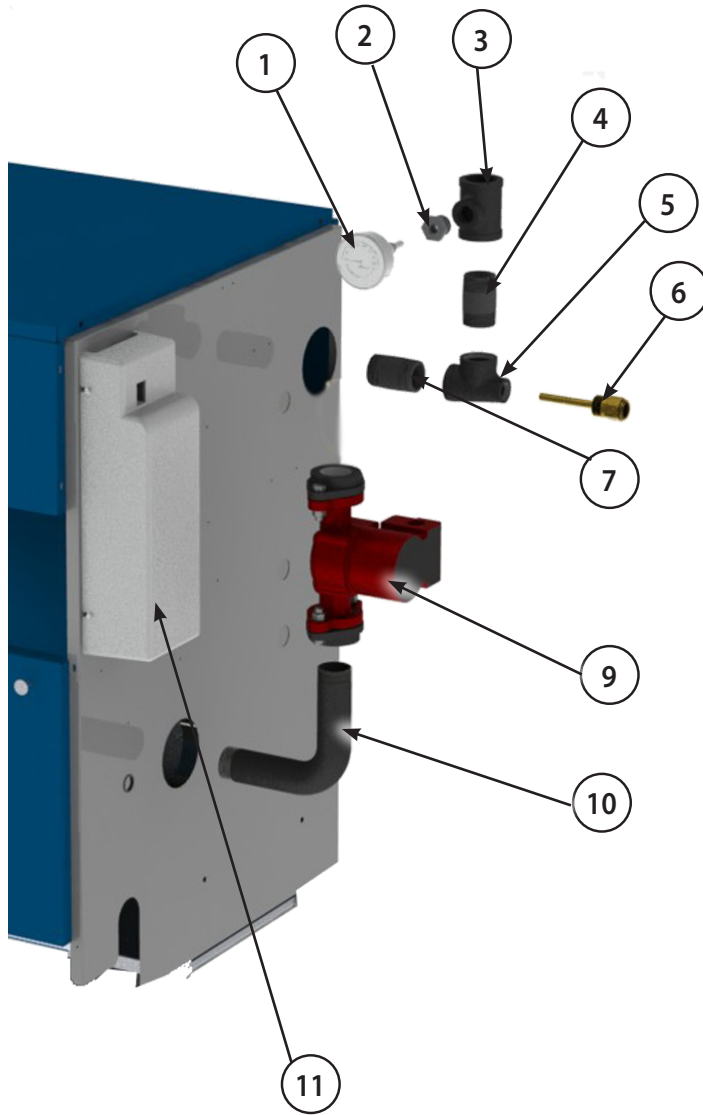
Propane Gas Only



NOTE: Actual gas valve may look different than gas valve shown

PROPANE GAS (ONLY) BURNER & MANIFOLD PARTS			
KEY NO.	DESCRIPTION		
		8 Section	9 Section
1	Gas Valve, LP Gas	550002740	550002740
2	Pilot Tube	14615006	14615006
3	10-32 x 3/16" Slotted Hex Head Screws	14695301	14695301
4	Gas Manifold	14616015	14616016
5	Main Burner Orifice*	14615036	14615036
6	Main Burner Regular**	14615532	14615532
6A	Main Burner, Pilot Mount	14615531	14615531
7	Pilot Burner (includes)***	240011102	
		PB00208	
		14662087	
‡	Rollout Shield	42500938	42500939
*Requires 1 less than the number of sections. **Requires 2 less than the number of sections. *** Pilot shipped natural gas only orifice and fitting required for LP conversion			

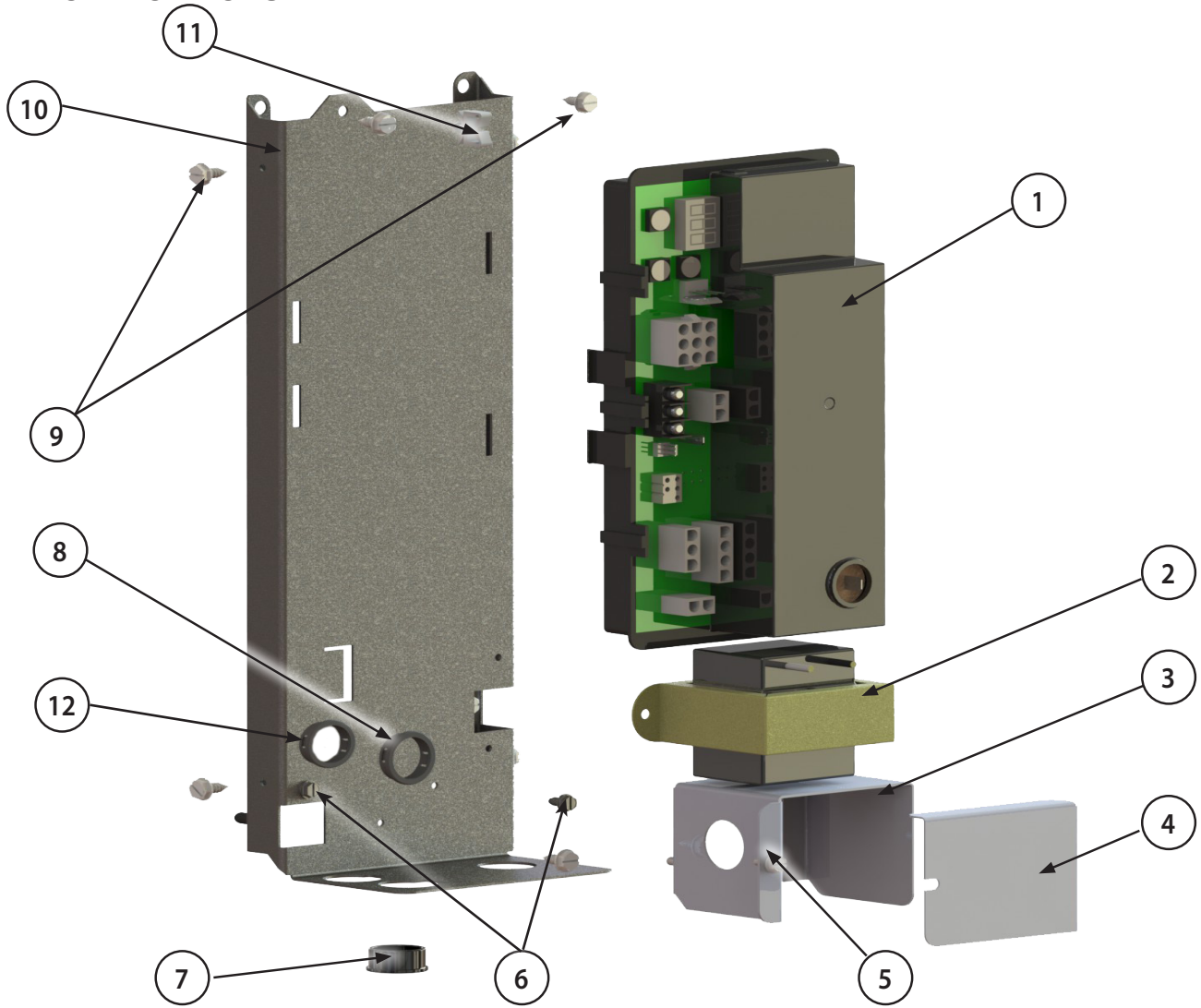
BOILER CONTROLS AND PIPING



No.	Description	Part No.
1	Temperature Pressure Gauge - 2" shank	1260006SP
2	Bushing, 3/4" x 1/4", Black Iron	1060002
3	Tee, 1 1/4" x 1 1/4" x 3/4", Black Iron	PF05901
4	Adapter, 1 1/4" x 2 1/2", Black Iron	14607044
5	1 1/4" x 3/4" x 1 1/4" Tee	1510001
6	Well	1635001
7	1 1/4" x 2 1/2" Adapter	14607044
9	Grundfos Pump UP15-42F Circulator	CI-006.01
	Taco Pump 007	CI-001.03
‡	Circulator Harness	240008767
10	1 1/4" Bent Return Adapter	14607003
11	Plastic Control Cover	108000193AD
‡	Blocked Vent Safety (36TX16-6282) 280°F	1500009
‡	Rollout Switch	14629002
‡	2 1/2" x 1 1/4" Bushing (2 Required)	14693008
‡	2 1/2" Plug	14693024
‡	2 1/2" x 3/4" Bushing	14693083
‡	1/2" Plug (3 Required)	1395003
‡	400°F Black Silicone Rubber Adhesive Sealant (10.3 oz. Cartridge)	240006837

‡ Not illustrated

BOILER CONTROL MODULE



ITEM	DESCRIPTION	P/N	QTY.
1	Control Module	240011101	1
2	50 VA Transformer	14662046	1
3	J-BOX	109008634	1
4	J-BOX COVER	109008635	1
5	SCREW # 8X 1/2 " B POINT	201000021	4
6	GROUND SCREW # 8	HW07701	2
7	GROMMET, PLASTIC 7/8"	14693011	1
8	GROMMET, PLASTIC 7/8"	206000023	1
9	SCREW #10 X 1/2" , A POINT	14695074	8
10	CONTROL PANEL	109008507	1
11	CABLE KEEPER	EF03601	1
12	GROMMET, PLASTIC, 3/4"	240011095	1
*	GROUND STRAP	240011099	1
*	SENSOR, 36"	240007732	1
*	SENSOR CLIP	240008013	1
*	DAMPER HARNESS	240006309	1
* NOT SHOWN			

ITEM	DESCRIPTION	P/N	QTY.
*	Rollout Switch Harness	43300900	1
*	Strain Relief Connector	EF-016.01	1
*	Strain Relief Bushing	14634032	2
* NOT SHOWN			

