



PRODUCT LITERATURE

Lennox Industries Inc.
Dallas, Texas

PARTS AND OPTIONAL ACCESSORIES

GWB8-262E-3

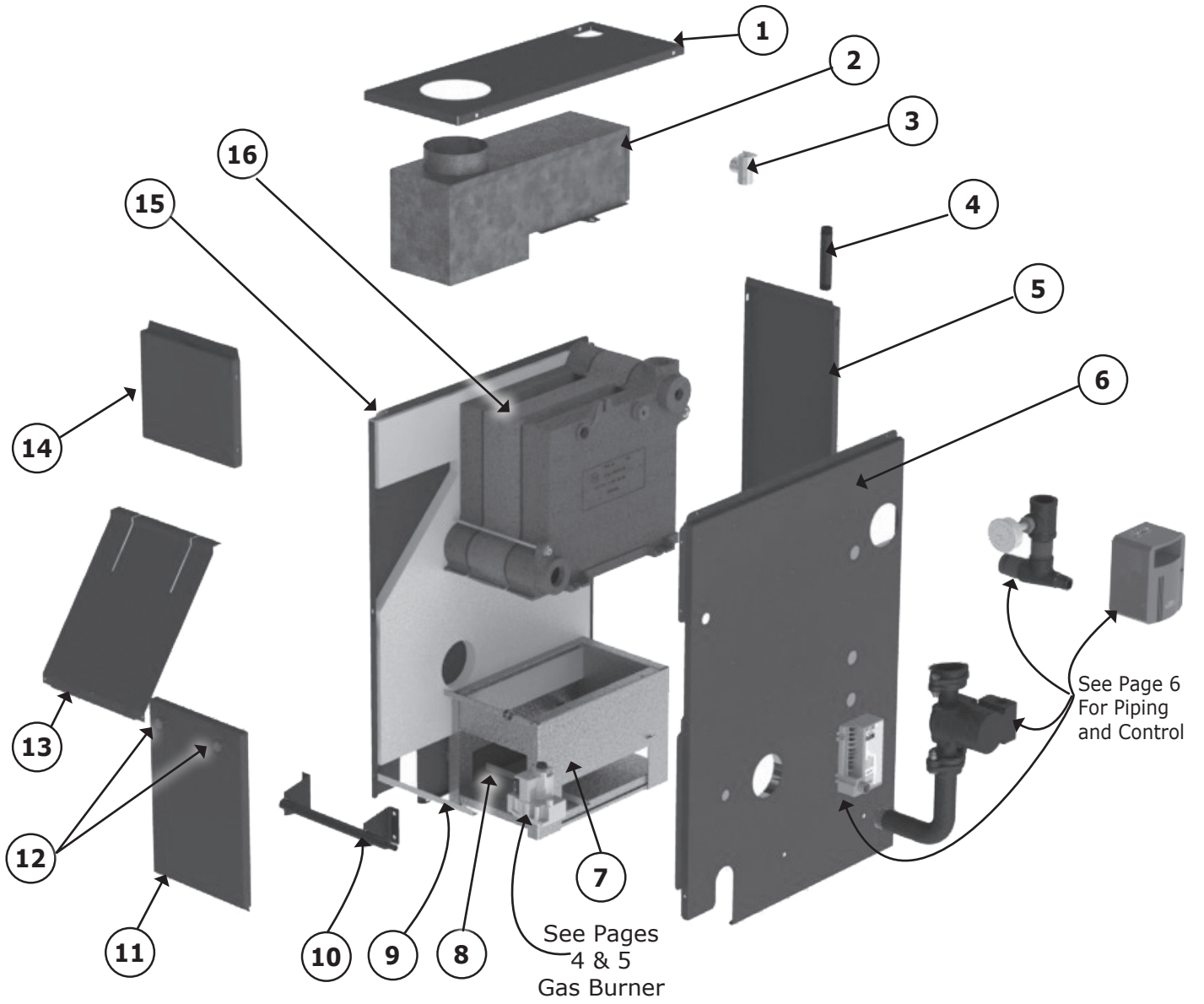
GWB8-299E-3

GAS FIRED BOILER

**RETAIN THESE INSTRUCTIONS FOR
FUTURE REFERENCE**

***These instructions must be affixed on
or adjacent to the boiler.***

REPAIR PARTS

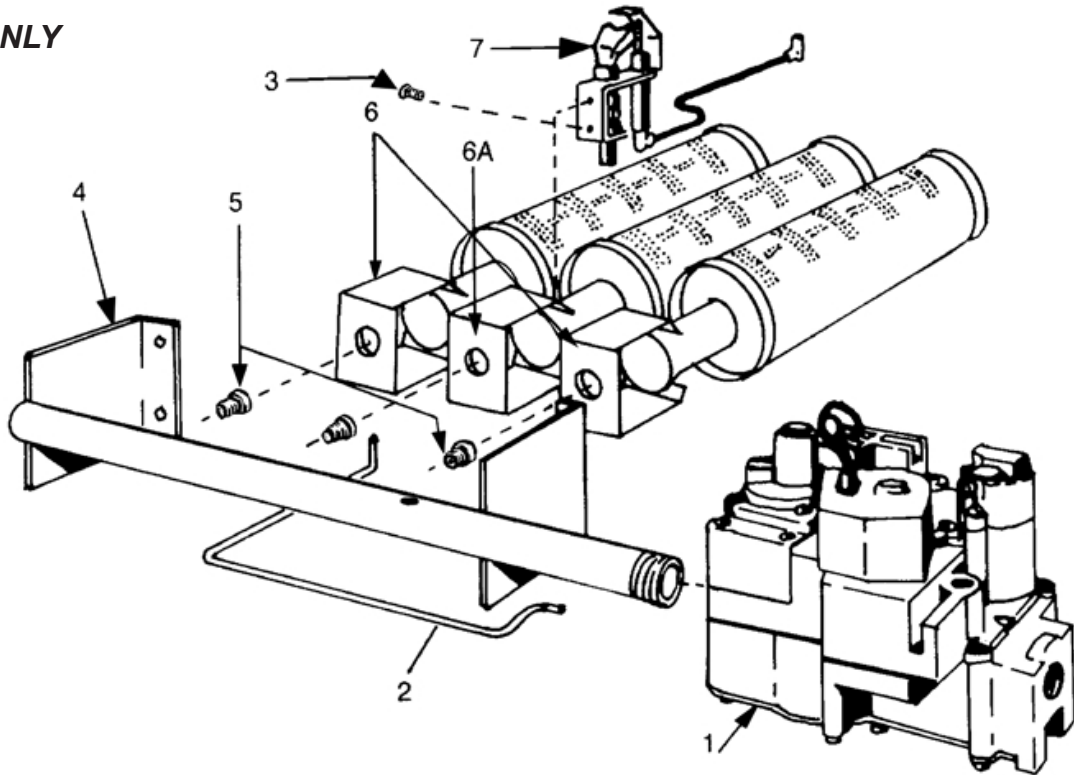


JACKET ASSEMBLY

	DESCRIPTION	8	9
		SECTION	SECTION
		Part No.	Part No.
‡	Jacket Complete	42500878AF	42500879AF
1	Jacket, Top Panel	42500848AF	42500849AF
2	Draft Diverter	42500678	42500679
3	3/4" ASME Safety Relief Valve	14622011	
4	3/4" x 6 1/2" Adapter	14607002	
5	Jacket, Back Panel	42500838AF	42500839AF
6	Jacket, Right Side Panel	109008574AF	
7a	Base	42500668	42500669
7b	Base Insulation - Base Sides (2) - Base Front - Base Rear	14614130	
		14614118	14614119
		14614128	14614129
8	Base Baffle	42500648	42500649
9	Jacket Tie Bar	42500658	42500659
10	Gas Manifold	See Pages 4 & 5	
11	Jacket, Diverter Panel	42500818AF	42500829AF
12	Knob, Service Door (Pair)	13702153	
13	Jacket, Diverter	42500828AF	42500829AF
14	Jacket, Front Panel	42500808AF	42500809AF
15	Jacket, Left Side Panel	109008736AF	
16	Block Assembly	41000831	41000931
‡	Combustible Floor Plate	14614032	
‡	Cerafelt Gasket	14614018	14614018
‡	Vent Damper	240006939	
‡	Base Assembly (7A, 7B, 8)	43300668	43300669
‡ Not illustrated			

REPAIR PARTS

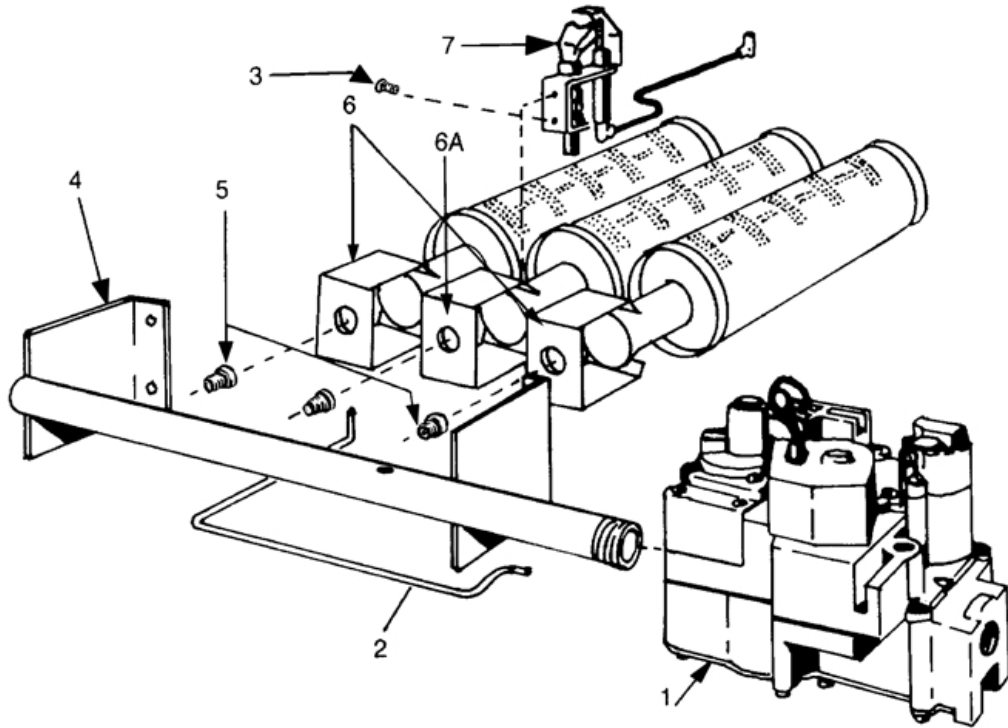
**FOR USE WITH
NATURAL GAS ONLY**



NOTE: Actual gas valve may look different than gas valve shown

NATURAL GAS BURNER & MANIFOLD PARTS			
KEY NO.	DESCRIPTION		
		8 Section	9 Section
1	Gas Valve, Natural Gas	14662058	14662058
2	Pilot Tube	14615006	14615006
3	10-32 x 3/16" Slotted Hex Head Screws	14695301	14695301
4	Gas Manifold	14616015	14616016
5	Main Burner Orifice*	14615035	14615035
6	Main Burner Regular**	14615532	14615532
6A	Main Burner, Pilot Mount	14615531	14615531
7	Pilot Burner	240011102	240011102
‡	Rollout Shield	42500938	42500939
*Requires 1 less than the number of sections. **Requires 2 less than the number of sections.			

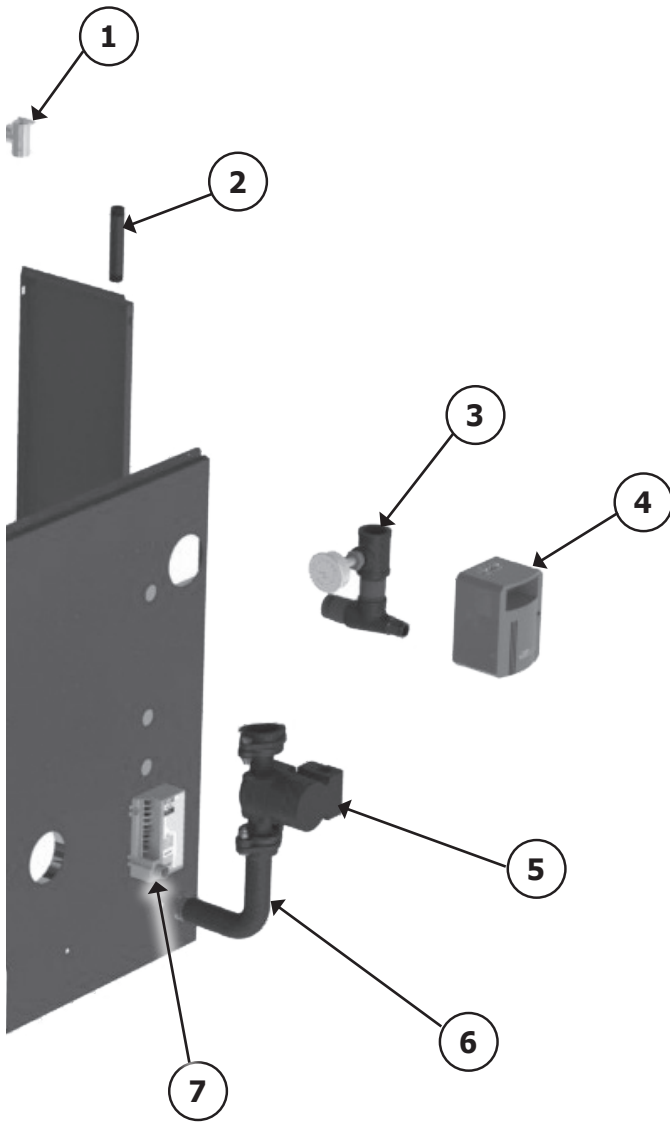
FOR USE WITH PROPANE GAS ONLY



NOTE: Actual gas valve may look different than gas valve shown

PROPANE GAS BURNER & MANIFOLD PARTS			
KEY NO.	DESCRIPTION		
		8 Section	9 Section
1	Gas Valve, LP Gas	14662062	14662062
2	Pilot Tube	14615006	14615006
3	10-32 x 3/16" Slotted Hex Head Screws	14695301	14695301
4	Gas Manifold	14616015	14616016
5	Main Burner Orifice*	14615036	14615036
6	Main Burner Regular**	14615532	14615532
6A	Main Burner, Pilot Mount	14615531	14615531
7	Pilot Burner (includes)***	240011102	
		PB00208	
		14662087	
‡	Rollout Shield	42500938	42500939
*Requires 1 less than the number of sections. **Requires 2 less than the number of sections. *** Pilot shipped natural gas only orifice and fitting required for LP conversion			

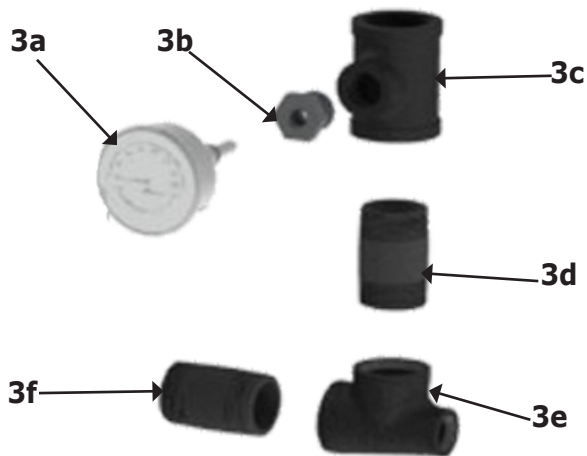
BOILER CONTROLS AND PIPING



Key No.	Description	Part No.
1	3/4" ASME Relief Valve	14622011
2	3/4" x 6 1/2" Nipple	14607002
3	3a Temperature Pressure Gauge - 2" shank	1260006SP
	3b Bushing, 3/4" x 1/4", Black Iron	1060002
	3c Tee, 1 1/4" x 1 1/4" x 3/4", Black Iron	PF05901
	3d Adapter, 1 1/4" x 2 1/2", Black Iron	14607044
	3e 1 1/4" x 3/4" x 1 1/4" Tee	1510001
	3f 1 1/4" x 2 1/2" Nipple	14607044
4	Hydrolevel Control	240009113
5	Grundfos Pump UP15-42F Circulator	CI006.01
	Taco Pump 007	CI-001.03
6	1 1/4" Bent Return Adapter	14607003
7	Intermittent Pilot Control	14662070
‡	Sensor Clip	240008013
‡	Sensor Well	240007709
‡	Blocked Vent Safety Switch (36TX16-6282) 280°F	1500009
‡	Rollout Switch	14629002
‡	5" Vent Damper	240006937
‡	6" Vent Damper	240006938
‡	7" Vent Damper	240006939
‡	2 1/2" x 1 1/4" Bushing (2 Required)	14693008
‡	2 1/2" Plug	14693024
‡	2 1/2" x 3/4" Bushing	14693083
‡	1/2" Plug (3 Required)	1395003
‡	400°F Black Silicone Rubber Adhesive Sealant (10.3 oz. Cartridge)	240006837

‡ Not illustrated

Temperature Pressure Gauge Assembly



REPAIR PARTS

MISCELLANEOUS PARTS

DESCRIPTION	PART NUMBER	QTY.
Circulator Harness	37519501	1
Damper Harness, 60"	240005480	1
Wire Harness, Rollout/Blocked Vent Safety Switch	240010924	2
Wire Harness, Gas Valve	43300942	1
Strain Relief Connector	EF-016.01	1
Wire Clip	240010487	1
Bushing, 7/8 to 3/4	206000023	1
Strain Relief Bushing	14634032	2
Screw, 10 x 12	14695074	2



PRODUCT LITERATURE
Lennox Industries Inc.
Dallas, Texas