

Minimum Top Clearance 8.66in/220 mm

4.5in/115mm Dia Flue

Top Of Casing

69 (2.7")

46.6 (1.8")

63.5 (2.6")

76 (3")

50 mm

197 (7.7")

298 (11.7")

76 (3")

Mount boiler on wall using wall mounting bracket included with unit. Use appropriate fasteners to hang bracket based on wall construction/boiler weight.

Ø 8

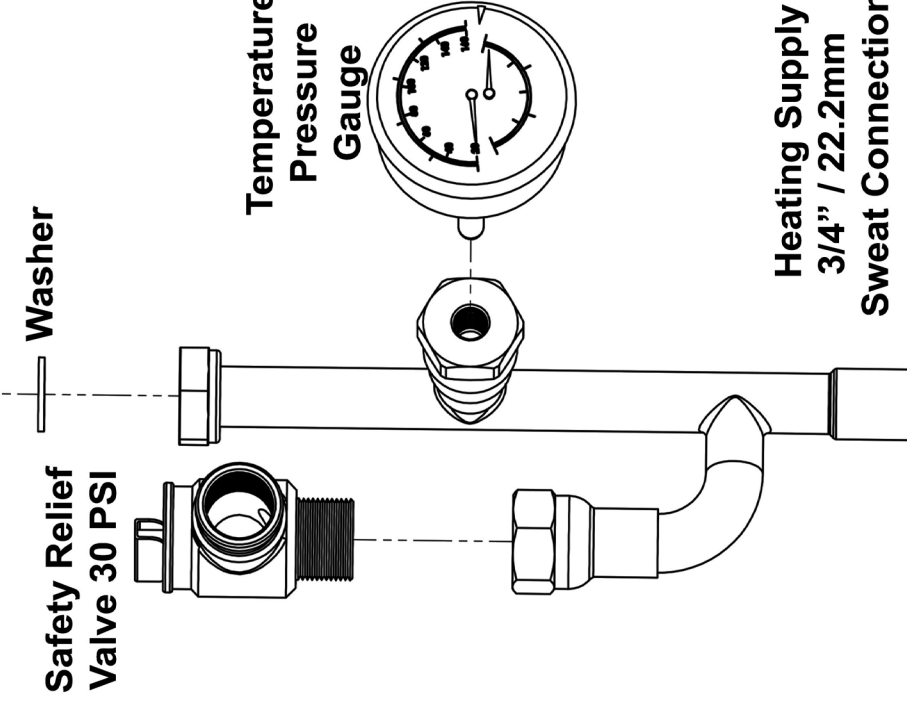
Ø (5/16")

Minimum Side Clearance 1.77in / 45mm

450 (17.7")

Minimum Side Clearance 1.77in / 45mm

657 (25.9")



Safety valve, Temperature Pressure Gauge assembly lay out.

50 (2.0")

45 (1.8")

65 (2.6")

65 (2.6")

65 (2.6")

65 (2.6")

65 (2.6")

65 (2.6")

65 (2.6")

95 (3.74")

G 3/4"

G 1/2"

G 3/4"

G 1/2"

G 3/4"

Safety Valve 3/4"

Heating Supply 3/4"

Hot Water Outlet 1/2"

Gas 3/4"

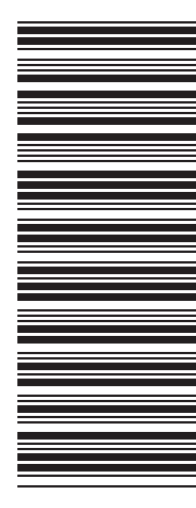
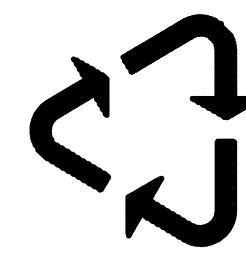
Cold Water Inlet 1/2"

Heating Return 3/4"

Bottom Of Casing

Bottom Fixing Holes

Minimum Bottom Clearance 9.84in/250 mm



240011366

240011366 REV B, (05/16/2016)