



**PRODUCT LITERATURE**

Lennox Industries Inc.  
Dallas, Texas

# PARTS AND OPTIONAL ACCESSORIES

---

## **GWM WALL MOUNTED GAS BOILER**

---

**RETAIN FOR  
FUTURE REFERENCE**

### Ordering Instructions

Order Parts through your nearest supplier.

When ordering parts, obtain Model Number and Serial Number from data plate on your boiler.

Include following information when ordering.

Part Number \_\_\_\_\_

Part Description \_\_\_\_\_

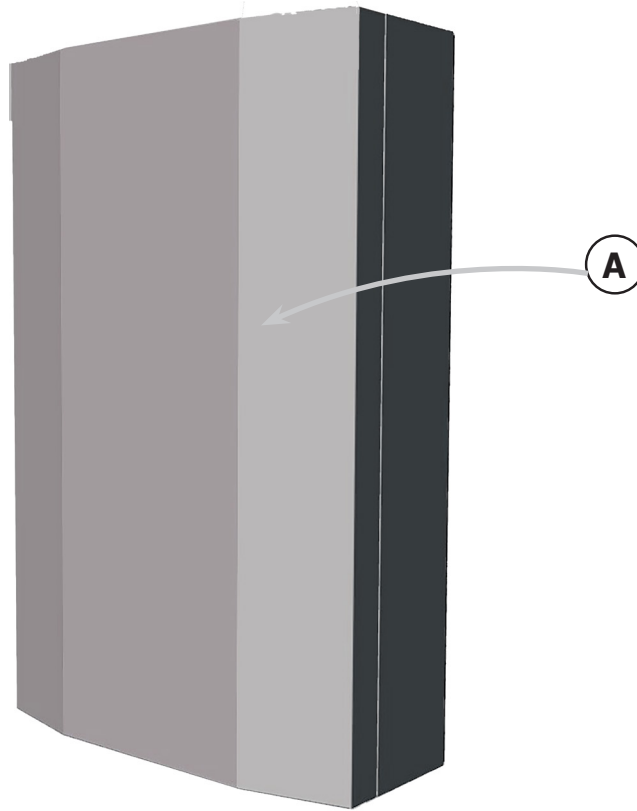
Boiler Model Number \_\_\_\_\_

Boiler Serial Number \_\_\_\_\_

## TABLE OF CONTENTS

High Altitude Kit 050/075/100/150 MBH .....	20
Blower Kit - 050/075/100/150/200 MBH .....	11
Burner Replacement Kits .....	6
Condensate Collector Kit 050/075/100 .....	14
Condensate Collector Kit 150/200 .....	15
Condensate Trap Kits .....	13
Control Module Kit .....	16
Flame Sensor Kits.....	9
Flexible Gas Line Kits .....	12
Floor Stand Kit # 240010266 .....	20
Gas Conversion Kits .....	19
Gas Valve Kits - 050/075/100/150/200 MBH .....	10
Heat Exchanger Kits.....	4
Heat Exchanger Surface Temperature Switch Kits.....	18
Igniter Kits .....	8
Jacket Kits.....	3
Misc. Replacement Parts .....	22
Optional Accessories .....	20
Quick Index .....	24
User Interface Kit .....	16
Wall Mount Bracket.....	20
Wire Harness Kits .....	17
<b>QUICK INDEX .....</b>	<b>24</b>

# JACKET KITS



<b>050/075/100 Jacket Kit # 550003137</b>			
<b>Item</b>	<b>DESCRIPTION</b>	<b>PART #</b>	<b>QTY</b>
A	Jacket w/Gasket	-	1

<b>150/200 Jacket Kit # 550003140</b>			
<b>Item</b>	<b>DESCRIPTION</b>	<b>PART #</b>	<b>QTY</b>
A	Jacket w/Gasket	-	1

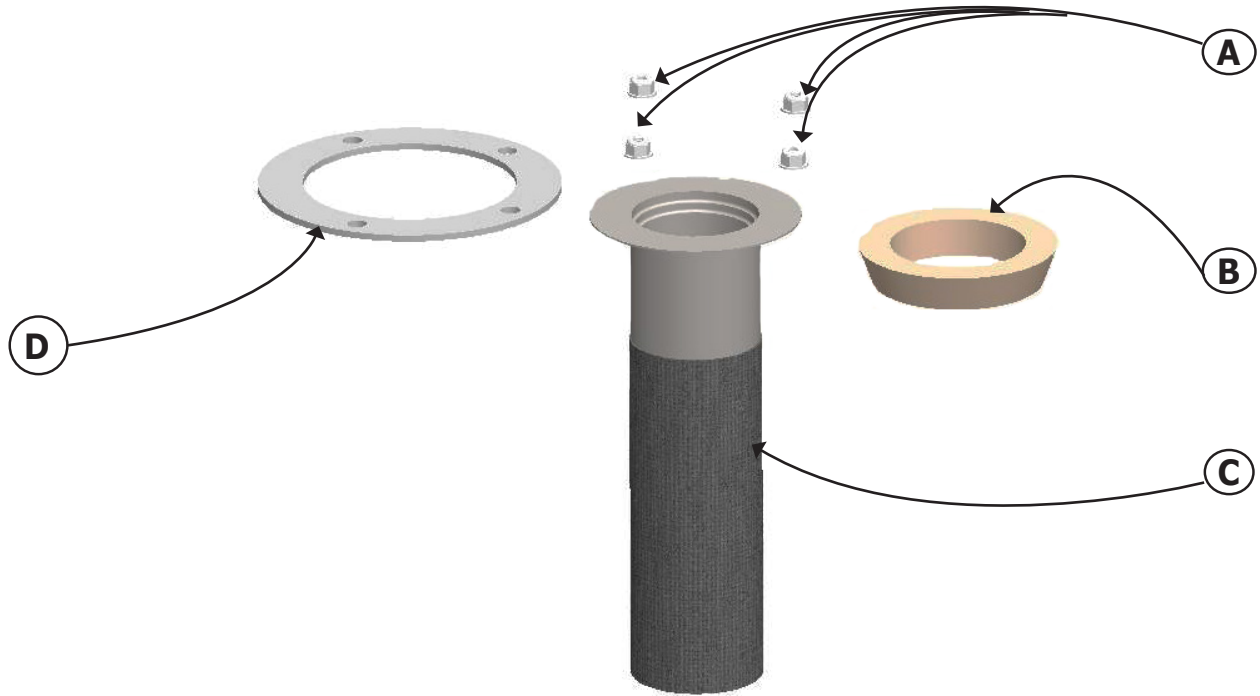
# HEAT EXCHANGER KITS



## HEAT EXCHANGER KITS

<b>050 Heat Exchanger Kit # 550002271</b>				
Heat Exchanger Kit #550002271 includes all items listed	ITEM	DESCRIPTION	PART #	QTY
	A	Heat Exchanger Module (includes: Igniter, Flame Sensor)	-	1
	B	Fitting, Compression 90°, 20 mm tube x 3/4 NPT	-	2
	*	Instructions	240008928	1
<b>075 Heat Exchanger Kit # 550002272</b>				
	A	Heat Exchanger Module (includes: Igniter, Flame Sensor)	-	1
	B	Fitting, Compression 90°, 20 mm tube x 3/4 NPT	-	2
	*	Instructions	240008928	1
<b>100 Heat Exchanger Kit # 550002273</b>				
	A	Heat Exchanger Module (includes: Igniter, Flame Sensor)	-	1
	B	Fitting, Compression 90°, 20 mm tube x 3/4 NPT	-	2
	*	Instructions	240008928	1
<b>150 Heat Exchanger Kit # 550002274</b>				
Heat Exchanger Kit #550002274 includes all items listed	ITEM	DESCRIPTION	PART #	QTY
	A	Heat Exchanger Module (includes: Igniter, Flame Sensor)	-	1
	B	Fitting, Compression 90°, 25 mm tube x 1 NPT	-	2
	*	Instructions	240008928	1
<b>200 Heat Exchanger Kit # 550002275</b>				
	A	Heat Exchanger Module (includes: Igniter, Flame Sensor)	-	1
	B	Fitting, Compression 90°, 25 mm tube x 1 NPT	-	2
	*	Instructions	240008928	1
* Not Shown				

## BURNER REPLACEMENT KITS

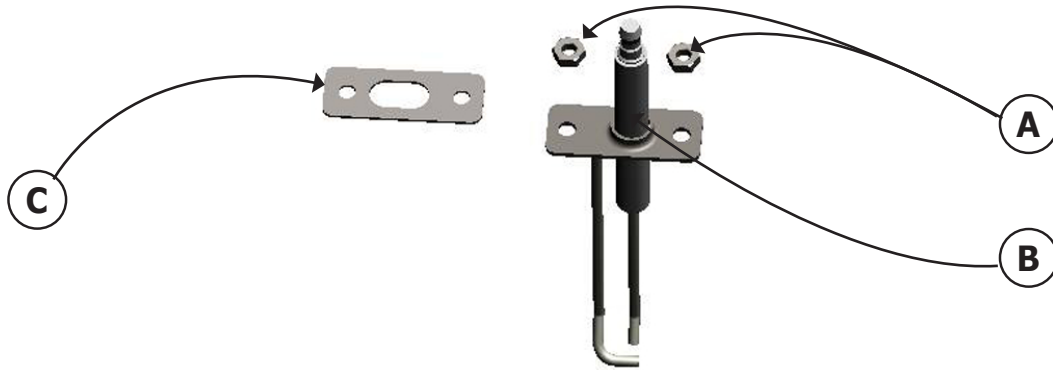


<b>50/075/100/150/200 Burner Inspection Kit # 550002280</b>				
	<b>ITEM</b>	<b>DESCRIPTION</b>	<b>PART #</b>	<b>QTY</b>
Replacement Inspection Kit #550002280 includes all items listed	<b>A</b>	1/4-20 Nut	-	8
	<b>B</b>	Burner Sleeve, Refractory	-	1
	<b>D</b>	Gasket, Air/Fuel Inlet	-	1
	*	Fiber Gasket	-	1
	*	Igniter Gasket	-	1
	*	8-32 Hex Nut	-	4
	*	Instructions	240008931	1
	* Not Shown			

## **BURNER REPLACEMENT KITS**

<b>050 Replacement Burner Kit # 550002276</b>				
	<b>ITEM</b>	<b>DESCRIPTION</b>	<b>PART #</b>	<b>QTY</b>
Replacement Burner Kit #550002276 includes all items listed	<b>A</b>	1/4-20 Nut	-	4
	<b>B</b>	Burner Sleeve, Refractory	-	1
	<b>C</b>	Burner 50K BTU	-	1
	<b>D</b>	Fiber Gasket	-	1
	*	Igniter Gasket	-	1
	*	8-32 Hex Nut	-	2
	*	Instructions	240008933	1
<b>075 Replacement Burner Kit # 550002277</b>				
Replacement Burner Kit #550002277 includes all items listed	<b>A</b>	1/4-20 Nut	-	4
	<b>B</b>	Burner Sleeve, Refractory	-	1
	<b>C</b>	Burner 75K BTU	-	1
	<b>D</b>	Fiber Gasket	-	1
	*	Igniter Gasket	-	1
	*	8-32 Hex Nut	-	2
	*	Instructions	240008933	1
<b>100 Replacement Burner Kit # 550002278</b>				
Replacement Burner Kit #550002278 includes all items listed	<b>A</b>	1/4-20 Nut	-	4
	<b>B</b>	Burner Sleeve, Refractory	-	1
	<b>C</b>	Burner 100K BTU	-	1
	<b>D</b>	Fiber Gasket	-	1
	*	Igniter Gasket	-	1
	*	8-32 Hex Nut	-	2
	*	Instructions	240008933	1
<b>150/200 Replacement Burner Kit # 550002279</b>				
Replacement Burner Kit #550002279 includes all items listed	<b>A</b>	1/4-20 Nut	-	4
	<b>B</b>	Burner Sleeve, Refractory	-	1
	<b>C</b>	Burner 150K BTU	-	1
	<b>D</b>	Fiber Gasket	-	1
	*	Igniter Gasket	-	1
	*	8-32 Hex Nut	-	2
	*	Instructions	240008933	1

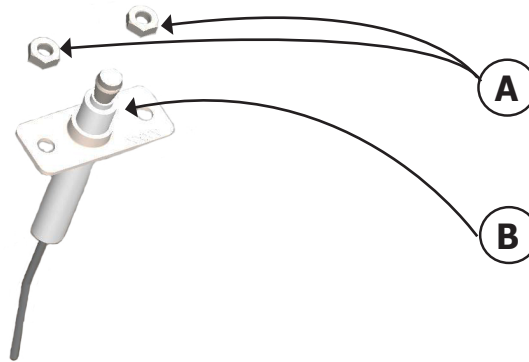
## IGNITER KITS



<b>050/075/100 Igniter Kit # 550002190</b>				
	ITEM	DESCRIPTION	PART #	QTY
Igniter Kit #550002281 includes all items listed	A	8-32, Hex Nut	-	2
	B	Igniter	-	1
	C	Igniter Gasket	-	1
	*	Instructions	240008592	1
<b>150/200 Igniter Kit # 550002282</b>				
	ITEM	DESCRIPTION	PART #	QTY
Igniter Kit #550002282 includes all items listed	A	8-32, Hex Nut	-	2
	B	Igniter	-	1
	C	Igniter Gasket	-	1
	*	Instructions	240008592	1
* Not Shown				

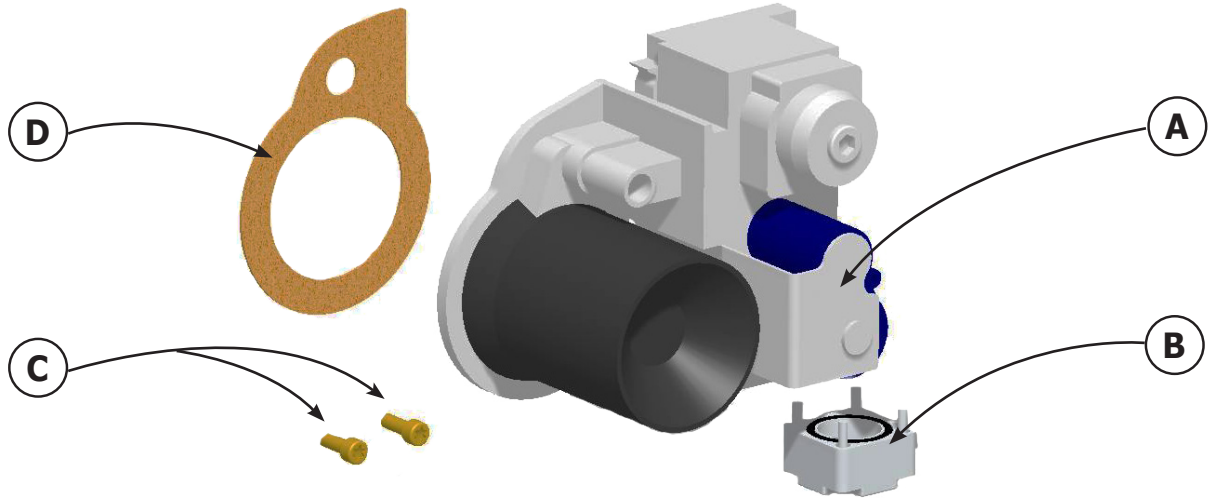


## FLAME SENSOR KITS



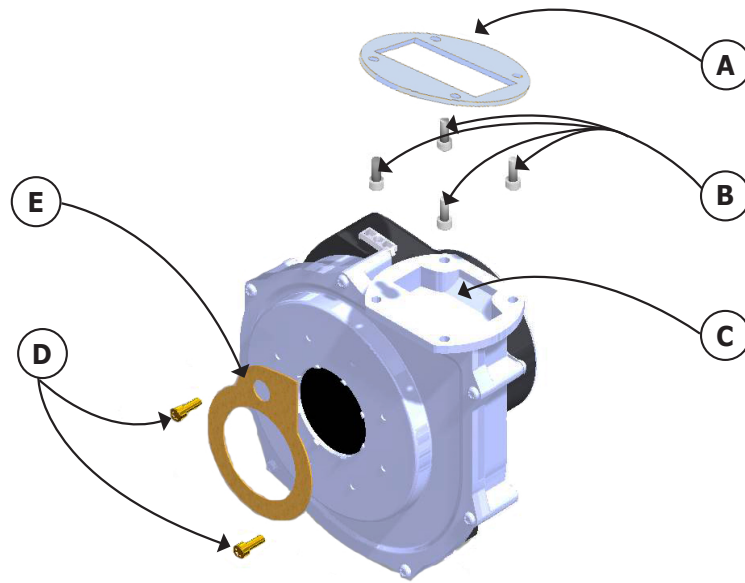
<b>050/075/100 Flame Sensor Kit #550002283</b>				
Flame Rod Kit #550002283 includes all items listed	ITEM	DESCRIPTION	PART #	QTY
	A	8-32, Hex Nut	-	2
	B	Sensor Flame	-	1
	*	Instructions	240008593	1
<b>150/200 Flame Sensor Kit #550002284</b>				
Flame Rod Kit #550002284 includes all items listed	ITEM	DESCRIPTION	PART #	QTY
	A	8-32, Hex Nut	-	2
	B	Sensor Flame	-	1
	*	Instructions	240008593	1
* Not Shown				

**GAS VALVE KITS - 050/075/100/150/200 MBH**



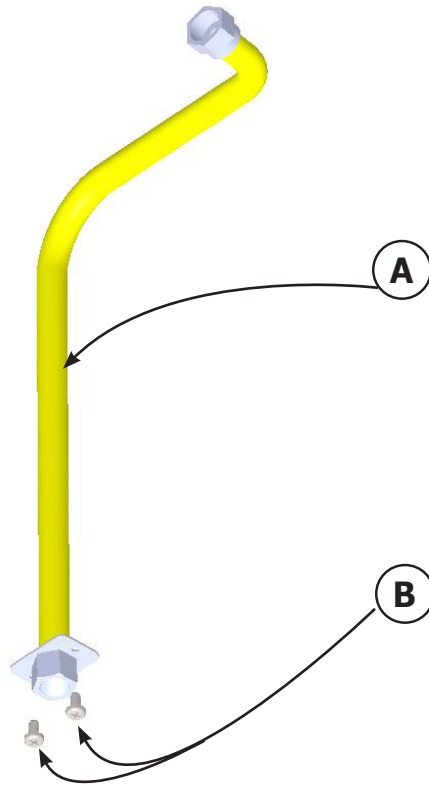
<b>050 Gas Valve Kit # 550002329</b>				
Gas Valve Kit #550002329 includes all items listed	A	Gas Valve, 050, VK4115V	-	1
	B	Gas Valve Flange Kit	1235008	1
	C	Screw, T25 Torx	-	2
	D	Gasket, Cork	1250021	1
	*	Instructions	240008939	1
<b>075 Gas Valve Kit # 550002285</b>				
	ITEM	DESCRIPTION	PART #	QTY
Gas Valve Kit #550002285 includes all items listed	A	Gas Valve, 075, VK4115V	-	1
	B	Gas Valve Flange Kit	1235008	1
	C	Screw, T25 Torx	-	2
	D	Gasket, Cork	1250021	1
	*	Instructions	240008939	1
<b>100 Gas Valve Kit # 550002286</b>				
Gas Valve Kit #550002286 includes all items listed	A	Gas Valve, 100, VK4115V	-	1
	B	Gas Valve Flange Kit	1235008	1
	C	Screw, T25 Torx	-	2
	D	Gasket, Cork	1250021	1
	*	Instructions	240008939	1
<b>150 Gas Valve Kit # 550002287</b>				
Gas Valve Kit #550002287 includes all items listed	A	Gas Valve, 150, VK4115F	-	1
	B	Gas Valve Flange Kit	1235008	1
	C	Screw, T25 Torx	-	2
	D	Gasket, Cork	1250021	1
	*	Instructions	240008939	1
<b>200 Gas Valve Kit # 550002288</b>				
Gas Valve Kit #550002288 includes all items listed	A	Gas Valve, 200, VK4115F	-	1
	B	Gas Valve Flange Kit	1235008	1
	C	Screw, T25 Torx	-	2
	D	Gasket, Cork	1250021	1
	*	Instructions	240008939	1
* Not Shown				

## **BLOWER KIT - 050/075/100/150/200 MBH**



<b>050/075/100 Blower Kit # 550002291</b>				
	ITEM	DESCRIPTION	PART #	QTY
Blower Motor Kit #550002291 includes all items listed	A	Gasket, Fan/Transition Piece	240011291	1
	B	Screw,10-24 X 1/2" Socket Head Cap	-	4
	C	Blower, 120 V 50/60 HZ, RG130/0800-3612	-	1
	D	Screw, T25 Torx	-	4
	E	Gasket, Cork	1250021	1
	*	1/4-20 Hex Flange Nut	-	4
	*	Instructions	240008943	1
<b>150 Blower Kit # 550002292</b>				
	ITEM	DESCRIPTION	PART #	QTY
Blower Motor Kit #550002292 includes all items listed	A	Gasket, Fan/Transition Piece	240011291	1
	B	Screw,10-24 X 1/2" Socket Head Cap	-	4
	C	Blower, 120 V 50/60 HZ, RG148/1200-3612	-	1
	D	Screw, T25 Torx	-	4
	E	Gasket, Cork	1250021	1
	*	1/4-20 Hex Flange Nut	-	4
	*	Instructions	240008943	1
<b>200 Blower Kit # 550002293</b>				
	ITEM	DESCRIPTION	PART #	QTY
Blower Motor Kit #550002293 includes all items listed	A	Gasket, Fan/Transition Piece	240011291	1
	B	Screw,10-24 X 1/2" SS Socket Head Cap	-	4
	C	Blower, 120 V 50/60 HZ, RG148/1200-3633	-	1
	D	Screw, T25 Torx	-	4
	E	Gasket, Cork	1250021	1
	*	1/4-20 Hex Flange Nut	-	4
	*	Instructions	240008943	1
* Not Shown				

## FLEXIBLE GAS LINE KITS



### 050/075/100 Flexible Gas Line Kit # 550002289

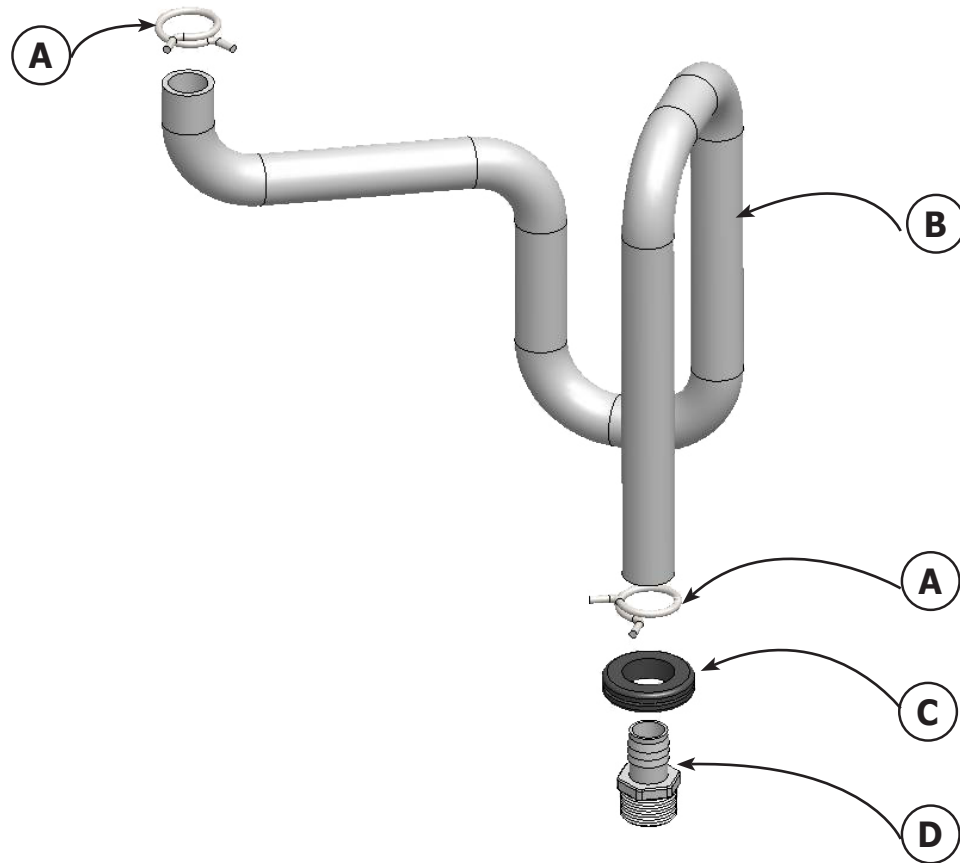
Flexible Gas Line Kit #550002289 includes all items listed	ITEM	DESCRIPTION	PART #	QTY
	A	Flexible Gas Line 23"	-	1
	B	Screw, 12-24x1/2 Type F	-	2
	*	Instructions	240008941	1

### 150/200 Flexible Gas Line Kit # 550002290

Flexible Gas Line Kit #550002290 includes all items listed	ITEM	DESCRIPTION	PART #	QTY
	A	Flexible Gas Line 23"	-	1
	B	Screw, 12-24x1/2 Type F	-	2
	*	Instructions	240008941	1

\* Not Shown

## CONDENSATE TRAP KITS



### **050/075/100 Condensate Trap Kit # 550002296**

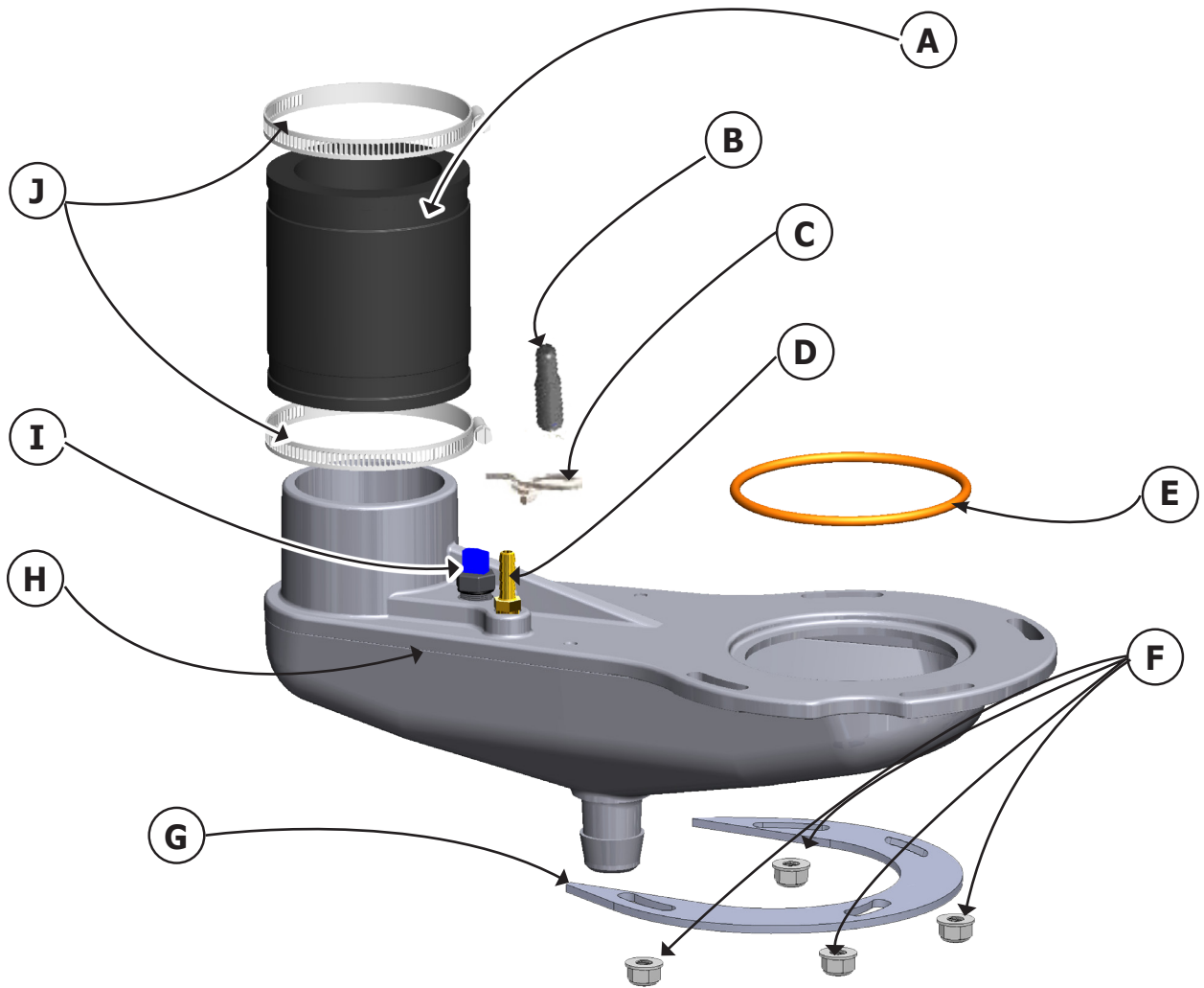
	ITEM	DESCRIPTION	PART #	QTY
Condensate Trap Kit #550002296 includes all items listed	A	Collet Clip, 1-1/8"	240008406	2
	B	Condensate Trap	-	1
	C	Grommet, Heyco 1" ID x 1.75" OD	-	1
	D	Coupling, Barbed 3/4"	-	1
	*	Instructions	240008948	1

### **150/200 Condensate Trap Kit #550002297**

	ITEM	DESCRIPTION	PART #	QTY
Condensate Trap Kit #550002297 includes all items listed	A	Collet Clip, 1-1/8"	240008406	2
	B	Condensate Trap	-	1
	C	Grommet, Heyco 1" ID x 1.75" OD	-	1
	D	Coupling, Barbed 3/4"	-	1
	*	Instructions	240008948	1

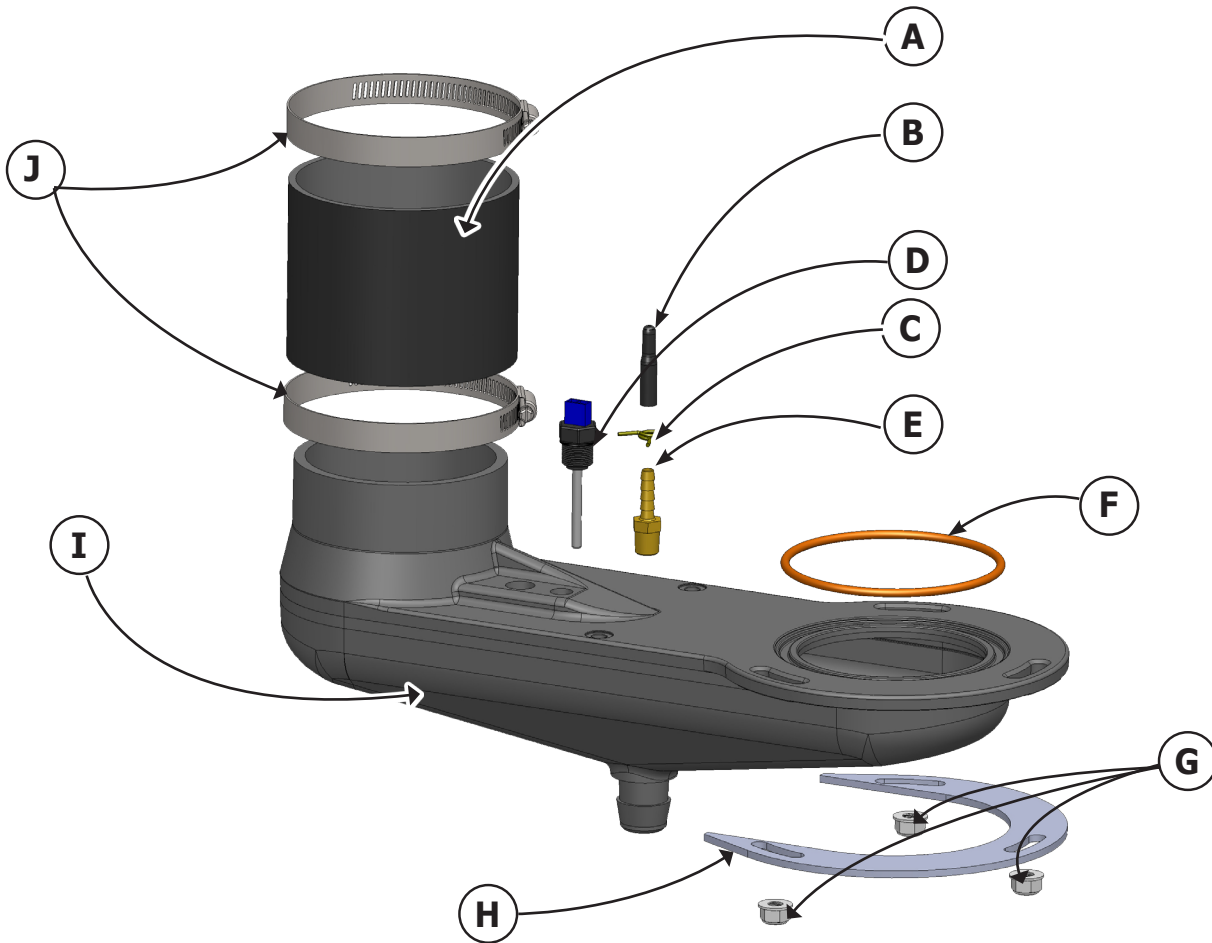
\* Not Shown

## CONDENSATE COLLECTOR KIT 050/075/100



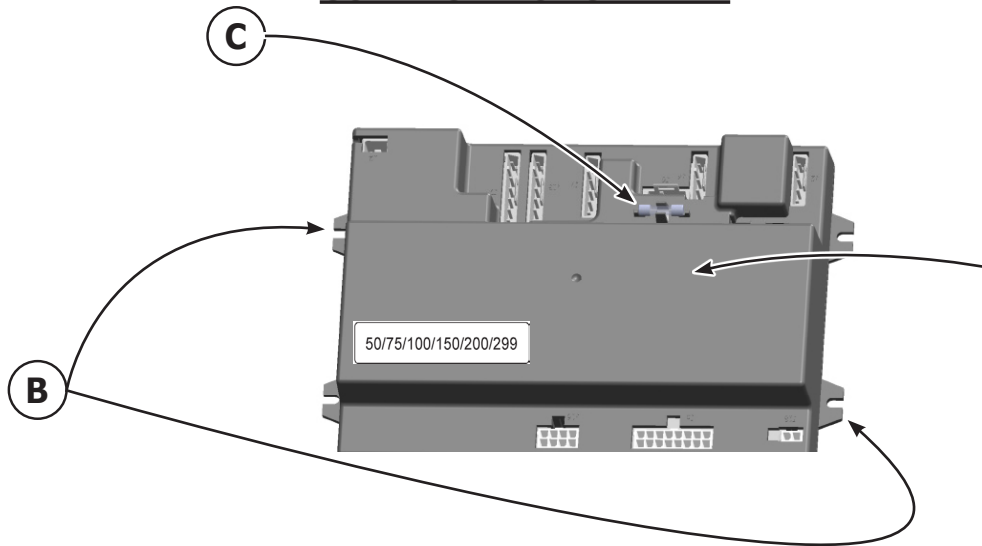
<b>050/075/100 Condensate Collector Kit # 550002294</b>				
	ITEM	DESCRIPTION	PART #	QTY
Condensate Collector Kit #550002294 includes all items listed	A	Flexible Coupling	-	1
	B	Cap black vinyl 3/16"	1230006	1
	C	Clamp, Spring Tension	1110001	1
	D	Hose Barb	1230010	1
	E	Gasket, Condensate Collector	240008261	1
	F	1/4-20 Hex Flange Nut	-	4
	G	Flue Collector Bracket	109008777	1
	H	Condensate Collector Plastic	-	1
	I	Sensor, Vent Temperature	240008227	1
	J	Hose Clamp	-	2
	*	Instructions	240008946	1
* Not Shown				

# CONDENSATE COLLECTOR KIT 150/200



<b>150/200 Condensate Collector Kit # 550002295</b>				
	ITEM	DESCRIPTION	PART #	QTY
Condensate Collector Kit #550002295 includes all items listed	A	Flexible Coupling	-	1
	B	Cap black vinyl 3/16"	1230006	1
	C	Clamp, Spring Tension	1110001	1
	D	Sensor, Vent Temperature	240008227	1
	E	Hose Barb	1230010	1
	F	Gasket, Condensate Collector	240010288	1
	G	1/4-20 Hex Flange Nut	-	3
	H	Flue Collector Bracket	109008776	1
	I	Condensate Collector Plastic	-	1
	J	Hose Clamp	-	2
	*	Instructions	240008946	1
* Not Shown				

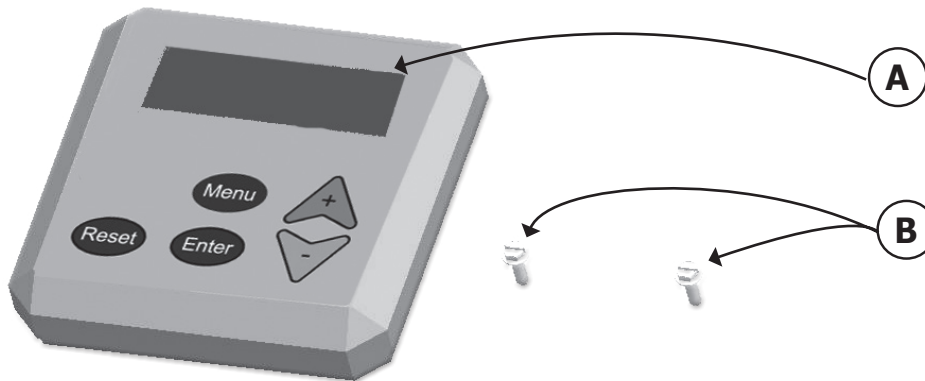
## CONTROL MODULE KIT



<b>050/075/100/150/200 Control Module Kit # 550002298</b>				
	ITEM	DESCRIPTION	PART #	QTY
Control Module Kit #550002298 includes all items listed	A	Control Module	-	1
	B	Screw, 8-32x3/8, HWH, Slot Self Tapping	-	2
	C	Fuse, 3.15A ac, 250V, Slo-Blo Glass 5x20mm (Additional fuse is included with control module on Boiler)	240008665	1
	*	Instructions	240008950	1
* Not Shown				

**NOTE: IF BOILER HAS BEEN CONVERTED TO HIGH ALTITUDE - REPLACE EXISTING CONTROL WITH HIGH ALTITUDE KIT ONLY. SEE PAGE 25.**

## USER INTERFACE KIT



<b>050/075/100/150/200 User Interface Kit # 550002299</b>				
	ITEM	DESCRIPTION	PART #	QTY
User Interface Kit #550002299 includes all items listed	A	User Interface Control	-	1
	B	Screw, 8-32 x 1/2" Type B	-	2
	*	Instructions	240008930	1
* Not Shown				



## WIRE HARNESS KITS

<b>050/075/100 Wire Harness Kit #550003200</b>			
	DESCRIPTION	PART #	QTY
Wire Harness Kit #550003200 includes all items listed	Main Boiler Wiring Assembly Harness 50/75/100	-	1
	User Interface Wire Harness	-	1
	Strain Relief Bushing	-	1
	Low Voltage Terminal Block Clip	-	5
	Screw, 8-32x5/16, Self Tapping, Ground, Green	-	1
	Instructions	240011560	1

<b>150/200 Wire Harness Kit # 550003201</b>			
	DESCRIPTION	PART #	QTY
Wire Harness Kit #550003201 includes all items listed	Main Boiler Wiring Assembly Harness 150/200	-	1
	User Interface Wiring Harness	-	1
	Strain Relief Cord Grip	-	1
	Low Voltage Terminal Block Clip	-	5
	Screw, 8-32x5/16, Self Tapping, Ground, Green	-	1
	Instructions	240011560	1

## HEAT EXCHANGER SURFACE TEMPERATURE SWITCH KITS

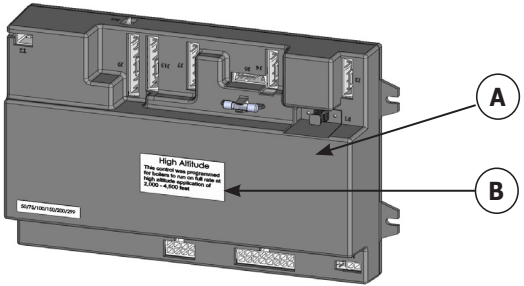
<b>Heat Exchanger Surface Temperature Switch 50/75/100 Kit #550002554</b>			
	DESCRIPTION	PART #	QTY
Wire Harness Kit #550002554 includes all items listed	Temperature Switch Bracket 50/75/100	-	1
	Temperature Switch L300-40F	240009508	1
	Wire Harness, Temperature Switch	-	1
	Instructions	240009568	1
<b>Heat Exchanger Surface Temperature Switch 150/200 Kit #550002555</b>			
Wire Harness Kit #550002555 includes all items listed	Temperature Switch Bracket 150/200	-	1
	Temperature Switch L300-40F	240009508	1
	Wire Harness, Temperature Switch	-	1
	Instructions	240009568	1

## **GAS CONVERSION KITS**

<b>050 Gas Conversion Kit # 550002303</b>			
	DESCRIPTION	PART #	QTY
Conversion Kit #550002303 includes all items listed	Orifice, LP, 3.8mm	-	1
	Label, "Converted By"	-	2
	Label, "Nat to LP" conversion plate	-	1
	Label, "LP to Nat" conversion plate	-	1
	Instructions	240008957	1
<b>075 Gas Conversion Kit # 550002304</b>			
	DESCRIPTION	PART #	QTY
Conversion Kit #550002304 includes all items listed	Orifice, LP, 3.9mm	-	1
	Label, "Converted By"	-	2
	Label, "Nat to LP" conversion plate	-	1
	Label, "LP to Nat" conversion plate	-	1
	Instructions	240008957	1
<b>100 Gas Conversion Kit # 550002305</b>			
	DESCRIPTION	PART #	QTY
Conversion Kit #550002305 includes all items listed	Orifice, LP, 4.6mm	-	1
	Label, "Converted By"	-	2
	Label, "Nat to LP" conversion plate	-	1
	Label, "LP to Nat" conversion plate	-	1
	Instructions	240008957	1
<b>150 Gas Conversion Kit # 550002306</b>			
	DESCRIPTION	PART #	QTY
Conversion Kit #550002306 includes all items listed	Orifice, LP, 5.4mm	-	1
	Label, "Converted By"	-	2
	Label, "Nat to LP" conversion plate	-	1
	Label, "LP to Nat" conversion plate	-	1
	Instructions	240008957	1
<b>200 Gas Conversion Kit # 550002307</b>			
	DESCRIPTION	PART #	QTY
Conversion Kit #550002307 includes all items listed	Orifice, LP, 5.9mm	-	1
	Label, "Converted By"	-	2
	Label, "Nat to LP" conversion plate	-	1
	Label, "LP to Nat" conversion plate	-	1
	Instructions	240008957	1

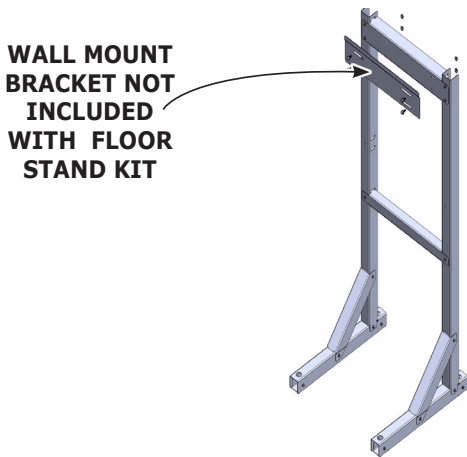
## OPTIONAL ACCESSORIES

### High Altitude Kit



050/075/100/150/200 High Altitude Kit # 550002819				
	ITEM	DESCRIPTION	PART #	QTY
High Altitude Kit #550002819 includes all items listed	A	Control Module - High Altitude 2000 - 4500 ft.	-	1
	B	High Altitude label	-	1
	NOT SHOWN	Instructions, High Altitude	240010113	1

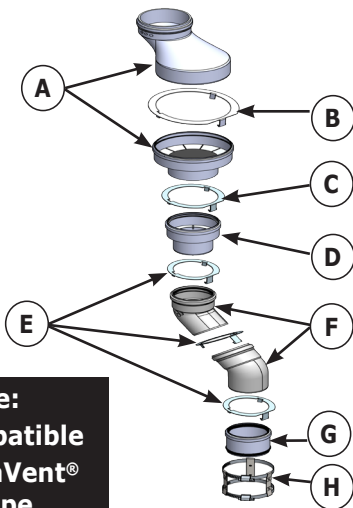
### Floor Stand Kit



WALL MOUNT BRACKET NOT INCLUDED WITH FLOOR STAND KIT

Floor Stand Kit # 240010266			
	DESCRIPTION	PART #	QTY
Floor Stand Kit #240010266 includes all items listed	Left Upright - not interchangeable	-	1
	Right Upright - not interchangeable	-	1
	Base Leg	-	2
	Brace	-	2
	Upper Cross Member	-	1
	Lower Cross Member	-	1
	Base Foot	-	4
	1/4 - 20 x 5/8 Serrated Hex Flange Head Bolt	-	26
	1/4 - 20 Serrated Hex Flange Head Nut	-	26
	5/16 - 18 x 3/4 Serrated Hex Head Bolt	-	4
	5/16 - 18 Serrated Flange Head Nut	-	4
	Instructions, Floor Stand	240010265	1

### Common Vent Flue Check Valve Kit



**\*Note:**  
Only compatible with DuraVent® vent pipe.

150/200 Common Vent Flue Check Valve Kit 240010299		
ITEM	DESCRIPTION	QTY
A	2 Piece Back Flow Valve	1
B	6" Locking Band	1
C	4" Locking Band	1
D	3" to 4" Increaser	1
E	3" Locking Band	3
F	3" 45° Elbow	2
G	3" Adapter for PVC Coupler	1
H	Adapter Connector	1
-	Instructions	1

## OPTIONAL ACCESSORIES

<b>050/075/100 Condensate Neutralizer Kit # 550003006</b>		
DESCRIPTION	PART #	QTY
Condensate Neutralizer 240010862 includes:		
Single Neutralizer Tube	-	1
3/4" Barbed Y	-	1
3/4" Union	-	2
10Ft 3/4" Hose	-	1
3/4" Hose Clamp	-	6
3/4" NPT to 3/4" Barb	-	3
Neutralizing Material	240010871	2.5 lbs
Base/Wall Mounting Clamp	-	2
Instructions	240010861	1

<b>200 Condensate Neutralizer Kit # 550003005</b>		
DESCRIPTION	PART #	QTY
Condensate Neutralizer 240010863 includes:		
Double Neutralizer Tube	-	2
3/4" Barbed Y	-	1
3/4" Union	-	2
10Ft 3/4" Hose	-	1
3/4" Hose Clamp	-	6
3/4" NPT to 3/4" Barb	-	3
Neutralizing Material	240010871	2.5 lbs
Base/Wall Mounting Clamp	-	2
Instructions	240010861	1




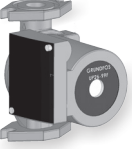




<b>Stainless Boiler Alarm Signal Output Kit #550002997</b>		
DESCRIPTION	PART #	Qty
Alarm Output Wire Harness	240010829	1
Alternate Alarm Output Wire Harness	240011269	1
Kit Instructions	240010830	1

<b>Concentric Vent Kits</b>	
DESCRIPTION	PART #
2" Concentric Vent Kit <sup>(1)</sup>	29570
3" Concentric Vent Kit <sup>(2)</sup>	29571
<sup>(1)</sup> <b>2" For use with 050/075/100</b>	
<sup>(2)</sup> <b>3" For use with 075-200</b>	

<b>Multi Boiler Sensor Kit # 550002186</b>			
Multi Boiler Sensor Kit #550002186 includes all items listed	DESCRIPTION	PART #	QTY
	Sensor, 12K, NTC, 6x45MM	240008465	1
	Well, 1/2 NPT Copper/Brass	240008466	1
	Sensor Well Lock Clip	240008467	1
	Instructions, Multi Boiler Sensor	240008959	1

<b>Additional Heating Devices Connection Kit (ie. Solar, Wood, etc.) Kit # 550002875</b>			
Kit # 550002875 includes all items listed	DESCRIPTION	PART #	QTY
	AR822 Control	Z140C	2
	System Sensor	240008465	1
	System Sensor Well	240008466	1
	Well Clip	240008467	1
	Kit Instructions	240010355	1

## MISC. REPLACEMENT PARTS

Replacement Parts		
	DESCRIPTION	PART #
	Igniter Cable 050/075/100/150/200	240008844
	Ignitor Cable 299	240009888
	Sight Glass	240008235
	Pump, Grundfos UP15-42F (050/075/100)	240008246
	Pump, Grundfos UP26-99 (150/200)	240008701
	Boiler Drain Valve	240009323
	LWCO, Hydrolevel Safeguard 1100 MINI, 24 VAC	240008250
	High Temperature Supply Switch	240008290
	Sensor, Return Water (050/075/100)	240008226
	Sensor, Return Water (150/200)	240008703
	Sensor, Flue	240008227
	Clamp, 1-1/8" Spring Tension for Condensate Trap	240008406
	Ball Valve 1/2" Female NPT x 5/8", FLR (Gas Shutoff valve) (050/075/100/150/200)	240008297

Replacement Parts		
	DESCRIPTION	PART #
	***Safety Relief Valve (30 PSI) Conbraco 10-407-05	VR-001.01
	Air Vent, Watts FV-4M1, 1/4 NPT	240008458
	Wall Bracket Sizes 050/075/100	109008079
	Wall Bracket Sizes 150/200	109008347
	Cap Black Vinyl 3/16"	1230006
	Clamp, Spring Tension for Black Vinyl Cap	1110001
	Temperature Switch L300-40F	240009508
	Sensor, Outdoor	240008225
	** Gauge, Temperature Pressure, 2" shank (0 ~ 75 psi)	1260006
	** Gauge, Temperature Pressure, 2" shank (0 ~ 200 psi)	GA00501
	Fuse, 3.15A AC, 250V, Slo-Blo Glass 5x20mm	240008665
	Relay, 120 VAC, 10 A	240008410

## MISC. REPLACEMENT PARTS

\* When ordering an optional pump other than factory supplied, 4 field sourced proper length bolts may be required.

\*\* For low pressure system , use 0~75 psi factory supplied pressure temperature gauge.  
For system pressure higher than 60 psi, use optional or field sourced 0~200 psi pressure temperature gauge.

\*\*\* For heating system with system pressure high than 25 psi, field source proper Safety relief valve.

## QUICK INDEX

KIT NAME	KIT NO.	APPLIED ON MODELS					INSTRUCTION NO.
		50	75	100	150	200	
<b>Additional Heating Device Connection Kit</b>	550002875	✓	✓	✓	✓	✓	240010355
<b>Alarm Signal Output Kit</b>	550002997	✓	✓	✓	✓	✓	240010830
<b>Blower Replacement Kit</b>	550002291	✓	✓	✓			240008943
	550002292				✓		
	550002293					✓	
<b>Burner Replacement Kit</b>	550002276	✓					240008933
	550002277		✓				
	550002278			✓			
	550002279				✓	✓	
<b>Burner Inspection Kit</b>	550002280	✓	✓	✓	✓	✓	240008931
<b>Common Vent Flue Check Valve Kit</b>	240010299				✓	✓	N/A
<b>Concentric Vent Kit</b>	29570 (2")	✓	✓	✓			N/A
	29571 (3")	✓	✓	✓	✓	✓	
<b>Condensate Neutralizer Kit</b>	550003006	✓	✓	✓	✓		240010861
	550003005					✓	
<b>Condensate Collector Replacement Kit</b>	550002294	✓	✓	✓			240008946
	550002295				✓	✓	
<b>Condensate Trap Replacement Kit</b>	550002296	✓	✓	✓			240008948
	550002297				✓	✓	
<b>Control Module Replacement Kit</b>	550002583	✓	✓	✓	✓	✓	240009314
<b>Flame Sensor Replacement Kit</b>	550002283	✓	✓	✓			240008593
	550002284				✓	✓	
	550002810						
<b>Flexible Gas Line Replacement Kit</b>	550002289	✓	✓	✓			240008941
	550002290				✓	✓	
<b>Floor Stand Kit</b>	240010266	✓	✓	✓	✓	✓	240010265



## QUICK INDEX - CONTI.

KIT NAME	KIT NO.	APPLIED ON MODELS					INSTRUCTION NO.
		50	75	100	150	200	
<b>Gas Valve (Automatic)</b> Replacement Kit	550002329	✓					240008939
	550002285		✓				
	550002286			✓			
	550002287				✓		
	550002288					✓	
<b>Heat Exchanger Surface Temperature Switch</b> Kit	550002554	✓	✓	✓			240009568
	550002555				✓	✓	
<b>Heat Exchanger</b> Replacement Kit	550002271	✓					240008928
	550002272		✓				
	550002273			✓			
	550002274				✓		
	550002275					✓	
<b>High Altitude</b> Kit	550002819	✓	✓	✓	✓		240010113
<b>Igniter</b> Replacement Kit	550002190	✓	✓	✓			240008592
	550002282				✓	✓	
<b>LP Gas Conversion</b> Kit	550002303	✓					240008957
	550002304		✓				
	550002305			✓			
	550002306				✓		
	550002307					✓	
<b>Multi Boiler Sensor</b> Kit	550002186	✓	✓	✓	✓	✓	240008959
<b>Jacket</b> Replacement Kit	550003137	✓	✓	✓			N/A
	550003140				✓	✓	
<b>User Interface</b> Replacement Kit	550002299	✓	✓	✓	✓	✓	240008930
<b>Wire Harness</b> Replacement Kit	550003200	✓	✓	✓			240011560
	550003201				✓	✓	







**PRODUCT LITERATURE**  
Lennox Industries Inc.  
Dallas, Texas

P/N 240011413, Rev. D [09/30/2017]