



CONDENSING GAS FIRED
FLOOR OR WALL MOUNTED
BOILER

Model
UCS-380

**PARTS, KITS &
OPTIONAL ACCESSORIES**

ORDERING INSTRUCTIONS
ORDER PARTS THROUGH YOUR NEAREST SUPPLIER.
WHEN ORDERING PARTS, OBTAIN MODEL NUMBER AND SERIAL NUMBER
FROM DATA PLATE ON YOUR BOILER.
INCLUDE FOLLOWING INFORMATION WHEN ORDERING.

PART NUMBER _____

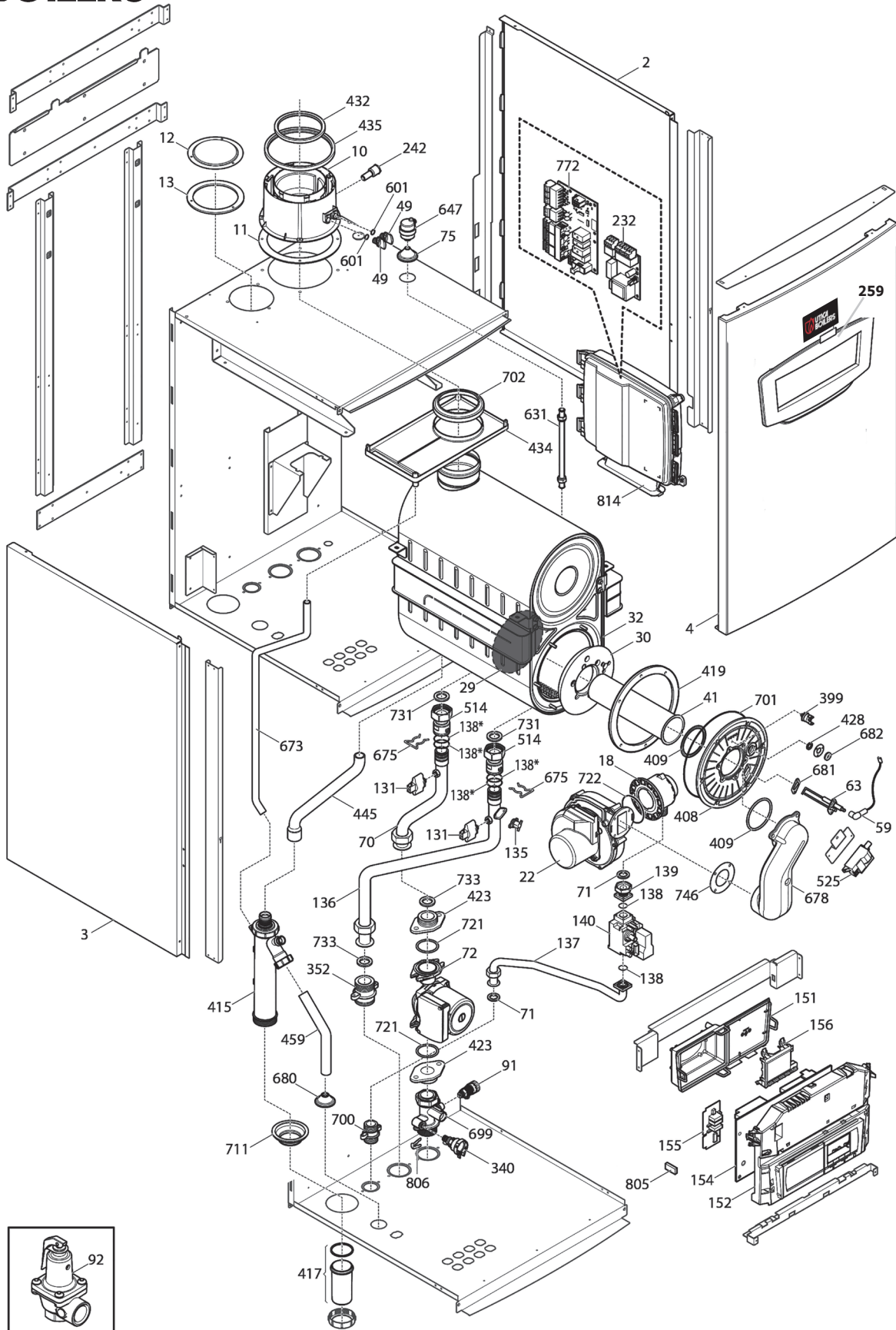
PART DESCRIPTION _____

BOILER MODEL NUMBER _____

BOILER SERIAL NUMBER _____



Manufactured by:
ECR International Inc.
2201 Dwyer Avenue, Utica, NY 13501
Tel. 800 253 7900
www.ecrinternational.com
P/N 240011663, Rev. C [09/15/2017]





DESCRIPTION OF PARTS

ITEM	PN	DESCRIPTION
2	SEE KIT 550003299	LEFT PANEL KIT ASSEMBLY
3	SEE KIT 550003300	RIGHT PANEL KIT ASSEMBLY
4	SEE KIT 550003301	FRONT PANEL ASSEMBLY
10	SEE KIT 550003291	FLUE CONNECTION ASSEMBLY 100/160
11	SEE KIT 550003291	GASKET FLUE
12	SEE KIT 550003291	PLATE BLANKING
13	SEE KIT 550003291	GASKET - BLANKING PLATE
18	SEE KIT 550003292	AIR/GAS VENTURI
22	SEE KIT 550003277	FAN RG 148/1200
29	SEE KIT 550003284	REAR INSULATION 180X60 ASSEMBLY
30	SEE KIT 550003285	FRONT INSULATING PANEL
32	SEE KIT 550003284	HEAT EXCHANGER DUOZ 100KW
41	SEE KIT 550003278	BURNER 100 KW
49	SEE KIT 550003291	TAP ADAPTER
59	BD7214720V	CABLE ELECTRODE IGNITION
63	SEE KIT 550003249	ELECTRODE - IGNITION
70	SEE KIT 550003283	RETURN PIPE ASSY
71	SEE KIT 550003276 & SEE KIT 550003287 & SEE KIT 550003288 & SEE KIT 550003292	GASKET - G1
72	SEE KIT 550003280	PUMP UP26-96 F
75	710194601	VENT PIPE GROMMET
91	SEE KIT 550003281	DRAINING TAP
92	BD721851901V	PRESSURE RELIEF VALVE
131	BD710682402V & SEE KIT 550003282 & SEE KIT 550003283	NTC SENSOR
135	BD710626001V	SUPPLY HIGH LIMIT
136	SEE KIT 550003282	FLOW PIPE
137	SEE KIT 550003288	GAS PIPE
138	SEE KIT 550003276 & SEE KIT 550003282 & SEE KIT 550003283 & SEE KIT 550003288	O-RING 22.22X2.62
139	SEE KIT 550003276	PIPE GAS VALVE/MIXER
140	SEE KIT 550003276	GAS VALVE SIT 822
151	SEE KIT 550002371	CONTROL COVER
152	SEE KIT 550002371	CONTROL
154	SEE KIT 550003268	PCB PCU-04
155	SEE KIT 550002369	SAFETY PCB
156	SEE KIT 550002370	PCB DISPLAY
232	SEE KIT 550003267	PCB INTERFACE
242	SEE KIT 550003291	NTC SENSOR
340	SEE KIT 550003253	PRESSURE SENSOR
352	721700201	SUPPLY CONNECTION
399	BD711427701V & SEE KIT 550003285	SAFETY THERMOSTAT 260°C

ITEM	PN	DESCRIPTION
408	SEE KIT 550003285	COMB.CHAMBER UPPER COVER
409	SEE KIT 550003278 & SEE KIT 550003285 & SEE KIT 550003286	BURNER GASKET HT
415	SEE KIT 550003279	2 WAY SYPHON H=240MM
417	SEE KIT 550003279	GASKET PLUG ASSEMBLY
419	SEE KIT 550003284 & SEE KIT 550003285	COMBUSTION CHAMBER GASKET
423	722233401	CIRCULATOR PUMP FLANGE
428	SEE KIT 550003251 & SEE KIT 550003285	GASKET
432	SEE KIT 550003291	GASKET FOR PIPE D.110
434	SEE KIT 550003290	CONDENSATE COLUMN 85-100
435	SEE KIT 550003291	AIR IN TAKE GASKET D.160
445	SEE KIT 550003289	PIPE EXCHANGER/SIPHON 100KW
459	SEE KIT 550003279	DISCHARGE PIPE SIPHON
514	SEE KIT 550003282 & SEE KIT 550003283	JOINT EXCH.DUOZ FOR PIPE D.28
525	SEE KIT 550003250	SPARK GENERATOR 115V
601	SEE KIT 550003291	O-RING 8,73X1,78
647	BD000005652731	AUTO AIR VENT
673	SEE KIT 550003289	CONDENSY PIPE/SIPHON
675	SEE KIT 550003282 & SEE KIT 550003283	PRIMARY EXCHANGER FIXING CLIPS
678	SEE KIT 550003286	AIR GAS COLLECTOR
680	SEE KIT 550003279	GROMMET-PIPE ASSY. D.15
681	SEE KIT 550003249	IGNITION ELECTRODE GASKET
682	SEE KIT 550003251 & SEE KIT 550003285	SIGHT GLASS
699	SEE KIT 550003281	INLET ELEMENT G1 -1/2" NPT
700	SEE KIT 550003287	NIPPLE G1"MM WITH SCREWS
701	SEE KIT 550003284 & SEE KIT 550003285	GASKET D.6
702	SEE KIT 550003290	GASKET CONDENSATE BOX
711	SEE KIT 550003279	SYPHON GASKET
721	SEE KIT 550003280	PUMP GASKET
722	SEE KIT 550003277 & SEE KIT 550003292	O-RING 70X3
731	SEE KIT 550003282 & SEE KIT 550003283 & SEE KIT 550003284	GASKET 32X39X2
733	SEE KIT 550003281 & SEE KIT 550003282 & SEE KIT 550003283	GASKET G1 1/2 WRC
746	SEE KIT 550003277 & SEE KIT 550003286	VENTURI GASKET
772	SEE KIT 550003266	PCB SCU-S02
805	SEE KIT 550002372	CONFIGURATION KEY
806	SEE KIT 550003253	CLIP D.10 BITRON
814	BD764986901V	SECONDARY ELECTRIC BOX



KITS - HEAT EXCHANGER & COMPONENTS

KIT 550003284 - HEAT EXCHANGER REPLACEMENT KIT INCLUDES:		
POS	DESCRIPTION	QTY
32	HEAT EXCHANGER DUOZ 100KW	1
29	REAR INSULATION 180X60 ASSEMBLY	1
731	GASKET 32X39X2	1
419	COMBUSTION CHAMBER GASKET	1
701	GASKET D.6	1
NA	INSTRUCTIONS - 240011719	1

KIT 550003285 - COMBUSTION CHAMBER REPLACEMENT KIT INCLUDES:		
POS	DESCRIPTION	QTY
408	COMB.CHAMBER UPPER COVER	1
428	GASKET	1
682	SIGHT GLASS	1
399	SAFETY THERMOSTAT 260°C	1
701	GASKET D.6	1
419	COMBUSTION CHAMBER GASKET	1
30	FRONT INSULATING PANEL	1
409	BURNER GASKET HT	1
NA	INSTRUCTIONS - 240011720	1

KIT 550003278 - BURNER REPLACEMENT KIT INCLUDES:		
POS	DESCRIPTION	QTY
41	BURNER 100 KW	1
409	BURNER GASKET HT	1
NA	KIT INSTRUCTIONS 2400011715	1

KIT 550003250 - SPARK GENERATOR REPLACEMENT KIT INCLUDES:		
POS	DESCRIPTION	QTY
525	SPARK GENERATOR 115V	1
NA	KIT INSTRUCTIONS 240011682	1

KIT 550003249 - IGNITION ELECTRODE REPLACEMENT KIT INCLUDES:		
POS	DESCRIPTION	QTY
63	IGNITION ELECTRODE	1
681	IGNITION ELECTRODE GASKET	1
NA	KIT INSTRUCTIONS 240011681	1

KIT 550003251 - SIGHT GLASS REPLACEMENT KIT INCLUDES:		
POS	DESCRIPTION	QTY
682	SIGHT GLASS	1
428	GASKET	1
NA	KIT INSTRUCTIONS 240011683	1



KITS - OTHER MAJOR COMPONENTS

KIT 550003277 BLOWER KIT INCLUDES:		
POS	DESCRIPTION	QTY
22	FAN RG 148/1200	1
746	VENTURI GASKET	1
722	O-RING 70X3	1
NA	KIT INSTRUCTIONS 2400011714	1

KIT 550003280 - PUMP REPLACEMENT KIT INCLUDES:		
POS	DESCRIPTION	QTY
72	PUMP UP26-96 F	1
721	PUMP GASKET	2

KITS - GAS VALVE & COMPONENTS

KIT 550003276 - GAS VALVE REPLACEMENT KIT INCLUDES:		
POS	DESCRIPTION	QTY
138	O-RING 22.22X2.62	1
139	PIPE GAS VALVE/MIXER	1
140	GAS VALVE SIT 822	1
71	GASKET - G1	1
NA	KIT INSTRUCTIONS 2400011713	1

KIT 550003288 - GAS PIPE REPLACEMENT KIT INCLUDES:		
POS	DESCRIPTION	QTY
137	GAS PIPE	1
71	GASKET - G1	1
138	O-RING 22.22X2.62	1
NA	INSTRUCTIONS - 240011730	1

KITS - AIR & GAS COMPONENTS

KIT 550003292 - MIXER REPLACEMENT KIT INCLUDES:		
POS	DESCRIPTION	QTY
18	GAS AIR MIXER	1
722	O-RING 70X3	1
71	GASKET - G1	1
NA	INSTRUCTIONS - 240011731	1

KIT 550003286 - AIR GAS COLLECTOR REPLACEMENT KIT INCLUDES:		
POS	DESCRIPTION	QTY
678	AIR GAS COLLECTOR	1
409	BURNER GASKET ASSY.	1
746	VENTURI GASKET	1
NA	INSTRUCTIONS - 240011732	1

KIT 550003291 - FLUE CONNECTION REPLACEMENT KIT INCLUDES:		
POS	DESCRIPTION	QTY
10	FLUE CONNECTION ASSEMBLY 100/160	1
11	GASKET FLUE	1
12	PLATE BLANKING	1
13	GASKET - BLANKING PLATE	1
432	GASKET FOR PIPE D.110	1
435	AIR IN TAKE GASKET D.160	1
49	TAP ADAPTER	2
601	O-RING 8,73X1,78	2
242	NTC SENSOR	1
NA	INSTRUCTIONS - 240011733	1



KITS - PIPING

KIT 550003282 - SUPPLY PIPING REPLACEMENT KIT INCLUDES:		
POS	DESCRIPTION	QTY
136	FLOW PIPE	1
138	O-RING 22.22X2.62	1
514	JOINT EXCH.DUOZ FOR PIPE D.28	1
731	GASKET G1 1/2 WRC	1
675	PRIMARY EXCHANGER FIXING CLIPS	1
135	SUPPLY HIGH LIMIT	1
131	NTC SENSOR	1
733	GASKET G1 1/2 WRC	1

KIT 550003283 - RETURN PIPING REPLACEMENT KIT INCLUDES:		
POS	DESCRIPTION	QTY
70	RETURN PIPE ASSY	1
733	GASKET G1 1/2 WRC	1
138	O-RING 22.22X2.62	1
514	JOINT EXCH.DUOZ FOR PIPE D.28	1
731	GASKET 32X39X2	1
675	PRIMARY EXCHANGER FIXING CLIPS	1
131	NTC SENSOR	1

KIT 550003287 - SUPPLY CONNECTION FITTING REPLACEMENT KIT INCLUDES:		
POS	DESCRIPTION	QTY
700	NIPPLE G1"MM WITH SCREWS	1
71	GASKET - G1	1

KIT 550003281 - RETURN INLET ASSEMBLY REPLACEMENT KIT INCLUDES:		
POS	DESCRIPTION	QTY
699	INLET ELEMENT G1	1
91	DRAINING TAP	1
733	GASKET	1
NA	KIT INSTRUCTIONS 2400011718	1

KITS - CONDENSATE COMPONENTS

KIT 550003279 - CONDENSATE TRAP REPLACEMENT KIT INCLUDES:		
POS	DESCRIPTION	QTY
415	2 WAY SYPHON H=240MM	1
417	GASKET PLUG ASSEMBLY	1
459	DISCHARGE PIPE SIPHON	1
680	GROMMET-PIPE ASSY. D.15	1
711	SYPHON GASKET	1
NA	KIT INSTRUCTIONS 240011716	1

KIT 550003289 - CONDENSATE PIPE REPLACEMENT KIT INCLUDES:		
POS	DESCRIPTION	QTY
673	CONDENSATE PIPE/SIPHON	1
445	PIPE EXCHANGER/SIPHON 100KW	1
NA	INSTRUCTIONS - 240011734	1

KIT 550003290 - CONDENSATE TRAY REPLACEMENT KIT INCLUDES:		
POS	DESCRIPTION	QTY
434	CONDENSATE COLUMN 85-100	1
702	GASKET CONDENSY BOX	1
NA	INSTRUCTIONS - 240011721	1



KITS - CONTROL BOARDS

KIT 550003266 - PCB SCU-SO2 REPLACEMENT KIT INCLUDES:		
POS	DESCRIPTION	QTY
772	PCB SCU-SO2	1
NA	INSTRUCTIONS - 240011707	1

KIT 550003267 - PCB INTERFACE REPLACEMENT KIT INCLUDES:		
POS	DESCRIPTION	QTY
232	PCB INTERFACE	1
NA	INSTRUCTIONS - 240011708	1

KIT 550003268 - PCB PCU-04 REPLACEMENT KIT INCLUDES:		
POS	DESCRIPTION	QTY
154	PCB PCU-04	1
NA	INSTRUCTIONS - 240011709	1

KIT 550003269 - SAFETY PCB REPLACEMENT KIT INCLUDES:		
POS	DESCRIPTION	QTY
155	SAFETY PCB	1
NA	INSTRUCTIONS - 240011710	1

KIT 550002372 - CONFIGURATION KEY KIT INCLUDES:		
POS	DESCRIPTION	QTY
805	CONFIGURATION KEY	1
NA	INSTRUCTIONS - 240011712	1



KITS - SENSOR

KIT 550003253 - PRESSURE SENSOR REPLACEMENT KIT INCLUDES:		
POS	DESCRIPTION	QTY
340	PRESSURE SENSOR	1
806	CLIP	1
NA	KIT INSTRUCTIONS 2400011704	1

KITS - MANIFOLD

KIT 550003352 - MANIFOLD REPLACEMENT KIT INCLUDES:		
POS	DESCRIPTION	QTY
NA	MANIFOLD	1
NA	KIT INSTRUCTIONS 2400011831	1



KITS -CONTROL, & JACKET PANELS

KIT 550003270 - PCB DISPLAY REPLACEMENT KIT INCLUDES:		
POS	DESCRIPTION	QTY
156	PCB DISPLAY	1
NA	INSTRUCTIONS - 240011711	1

PANEL ASSEMBLIES				
KIT #	DESCRIPTION	POS	DESCRIPTION	QTY
550003271	CONTROL ASSEMBLY	151	CONTROL COVER	1
		152	CONTROL	1
550003299	LEFT PANEL ASSEMBLY	2	LEFT PANEL	1
		788	GASKET	2
550003300	RIGHT PANEL ASSEMBLY	3	RIGHT PANEL	1
		788	GASKET	2
550003301	FRONT PANEL ASSEMBY INCLUDES: BEZEL, INSULATION AND LOGO	4	FRONT PANEL	1

WIRING - REPLACEMENT

POS	PN	DESCRIPTION
NOT SHOWN	711217400	TH WIRING DUOZ EX.
NOT SHOWN	721796800	FAN WIRING
NOT SHOWN	721804700	IGNITOR WIRING
NOT SHOWN	721807000	GAS VALVE WIRING
NOT SHOWN	721838500	SAFETY TH/FAN WIRING
NOT SHOWN	721935400	SENSORS WIRING
NOT SHOWN	722266400	CONTROL BOX/PCB SCU CONNECTING
NOT SHOWN	722267400	SECONDARY ELECTRIC BOX POWER WI
NOT SHOWN	722410200	POWER SUPPLY PUMP UP26-96F WIRIN
NOT SHOWN	722577700	PCB POWER WIRING SECONDARY BOX
NOT SHOWN	722577800	POWER SUPPLY WIRING
NOT SHOWN	764808500	PUMP WIRING



ECR International Inc. 2201 Dwyer Avenue, Utica, NY 13501
Tel. 800 253 7900
www.ecrinternational.com

All specifications subject to change without notice.
©2017 ECR International, Inc.