

SIGHT GLASS REPLACEMENT KIT 550003251 INSTRUCTIONS FOR UCS & DMG 240/380 BOILERS

Kit installation shall be completed by qualified agency.

⚠ WARNING

Fire, explosion, asphyxiation and electrical shock hazard. Improper installation could result in death or serious injury. Read these instructions and understand all requirements, including requirements of authority having jurisdiction, before beginning installation. Installation not complete until appliance operation is verified per Installation, Operation & Maintenance Manual provided with boiler.

⚠ CAUTION

Laceration, burn hazard. Metal edges and parts may have sharp edges and/or may be hot. Use appropriate personal protection equipment to include safety glasses and gloves when installing or servicing this appliance. Failure to follow these instructions could result in minor or moderate injury.

Sight Glass Replacement

1. Follow instructions To TURN OFF GAS TO APPLIANCE found on Operating Instructions label on boiler or in Installation, Operation & Maintenance Manual. Verify all electrical power to boiler is turned off.

⚠ WARNING

Electrical shock hazard. Turn OFF electrical power supply at service panel.

2. Remove two (2) screws from of front jacket cover. Lift jacket off Boiler.

⚠ WARNING

Burn hazard. Verify unit has cooled before servicing. Use appropriate personal protection equipment.

3. Inspect combustion chamber through sight glass. Verify flame is not present. See Figures 1 and 2.
4. Remove 3 Phillips screws securing retaining ring.
5. Remove sight glass and gasket.
6. Replace with new sight glass and gasket.
7. Replace retaining ring and 3 Phillips screws securing sight glass in place.
8. Restore power and gas to appliance.
9. Resume operation using OPERATING INSTRUCTIONS found on Operating Instructions label on boiler or in Installation, Operation & Maintenance Manual.
10. Install front panel. Secure in place with removed screws.
11. Verify proper operation.

Figure 1 - 240 Heat Exchanger - Front of Boiler

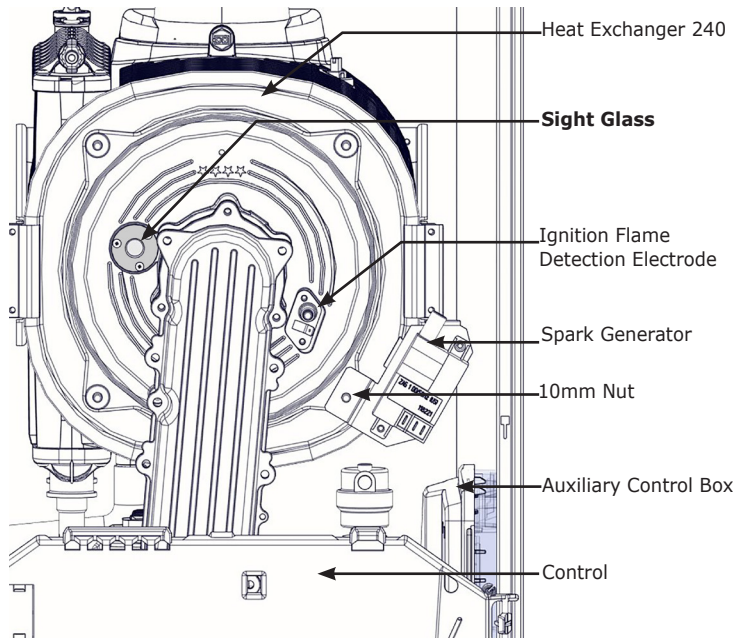
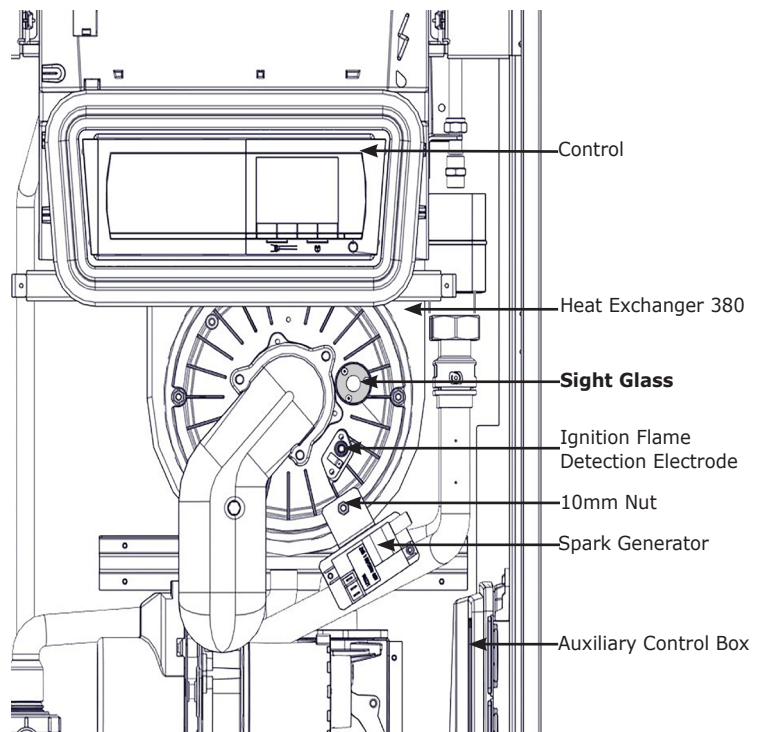


Figure 2 - 380 Heat Exchanger - Front of Boiler



Illustrations are a depiction of the boiler for general location of parts and are subject to change without notice.

**SIGHT GLASS
REPLACEMENT INSTRUCTIONS**

PARTS LIST

Sight Glass Replacement Kit 550003251 includes:		
DESCRIPTION	PART #	QTY
Sight Glass	-	1
Gasket (Sight Glass)	-	1
Instructions	240011683	1

Check our website frequently for updates: www.ecrinternational.com