

BURNER REPLACEMENT KIT INSTRUCTIONS

Kit #550003246

FOR UCS & DMG 240 BOILER

Kit installation shall be completed by qualified agency.

⚠ WARNING

Fire, explosion, asphyxiation and electrical shock hazard. Improper installation could result in death or serious injury. Read this instruction and understand all requirements, including requirements of authority having jurisdiction, before beginning installation. Installation not complete until appliance operation verified per Installation, Operation & Maintenance Manual provided with boiler.

⚠ CAUTION

Laceration, burn hazard. Metal edges and parts may have sharp edges and/or may be hot. Use appropriate personal protection equipment to include safety glasses and gloves when installing or servicing this appliance. Failure to follow these instructions could result in minor or moderate injury.

1. Follow instructions TO TURN OFF GAS TO APPLIANCE found on Operating Instructions label on boiler or in Installation, Operation & Maintenance Manual. Verify all electrical power to boiler is turned off.

⚠ WARNING

Electrical shock hazard. Turn OFF electrical power supply at service panel.

2. Turn power and gas off to appliance.
3. Remove two (2) screws from jacket cover. Lift jacket off.

⚠ WARNING

Burn hazard. Verify unit has cooled before servicing. Use appropriate personal protection equipment.

4. Inspect combustion chamber through sight glass. Verify flame is not present. See figure 1.
5. Press tabs and place control panel in down position. See Figure 2.
6. Remove electrical connectors from blower. See Figure 3.
7. Disconnect gas pipe from Air Gas Mixer.

Figure 1 - 240 Heat Exchanger - Front of Boiler

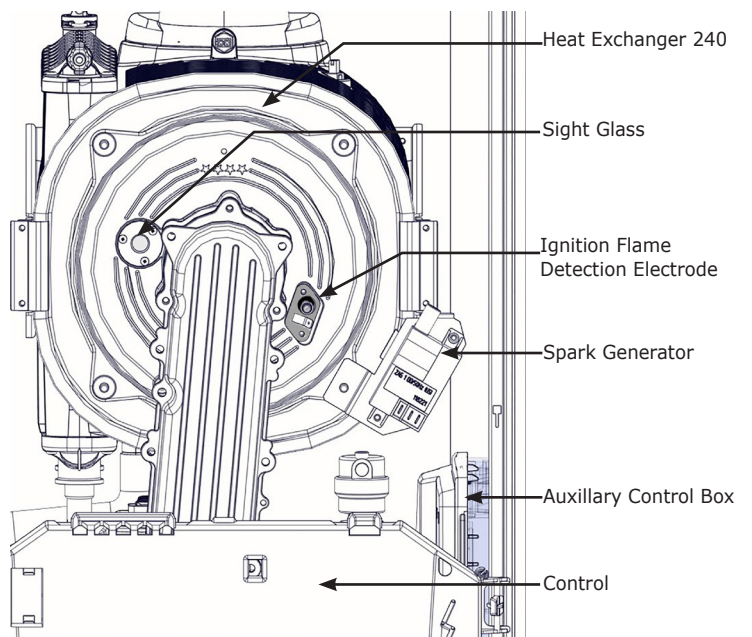
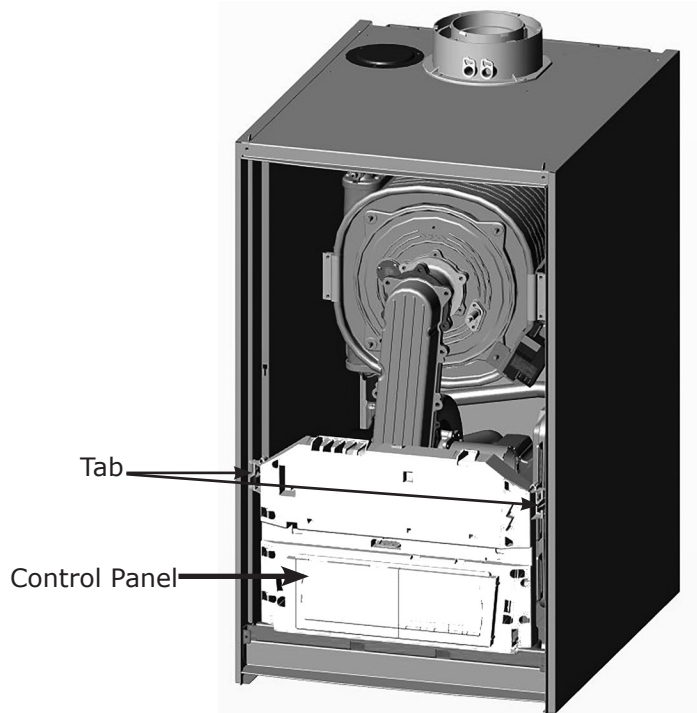


Figure 2 - Control Panel and Tab



BURNER REPLACEMENT KIT INSTRUCTIONS

8. Remove three (3) screws securing upper section of Air/Gas Mixer to Heat Exchanger opening extension. Remove brass colored screw and gently set Air Gas Mixer aside. See Figure 4.
9. Remove Heat exchanger opening extension and gasket. See Figure 4.
10. Remove burner gasket and burner. See Figure 5.
11. Install new burner. Line notch in burner to notch on combustion chamber cover. Install new burner gasket. See Figure 5.
12. Secure Heat Exchanger opening extension with one of three tabs at 6 o'clock ⌚. Orient and secure in place with previously removed screws.
13. Place gasket onto Heat Exchanger Opening extension. Place Heat Exchanger Opening in place. Secure Air Gas Mixer in place, secure with 4 previously removed screws (1 brass).
14. Replace washer with new supplied washer between gas line and Air/Gas Venturi, tighten nut.
15. Reconnect 3 and 5 pin wire harnesses to blower motor.
16. Turn power and gas on. Check for leaks.
17. Position control panel in upward position. See Figure 2.

Figure 4 - Heat Exchanger Opening and Air/Gas Mixer

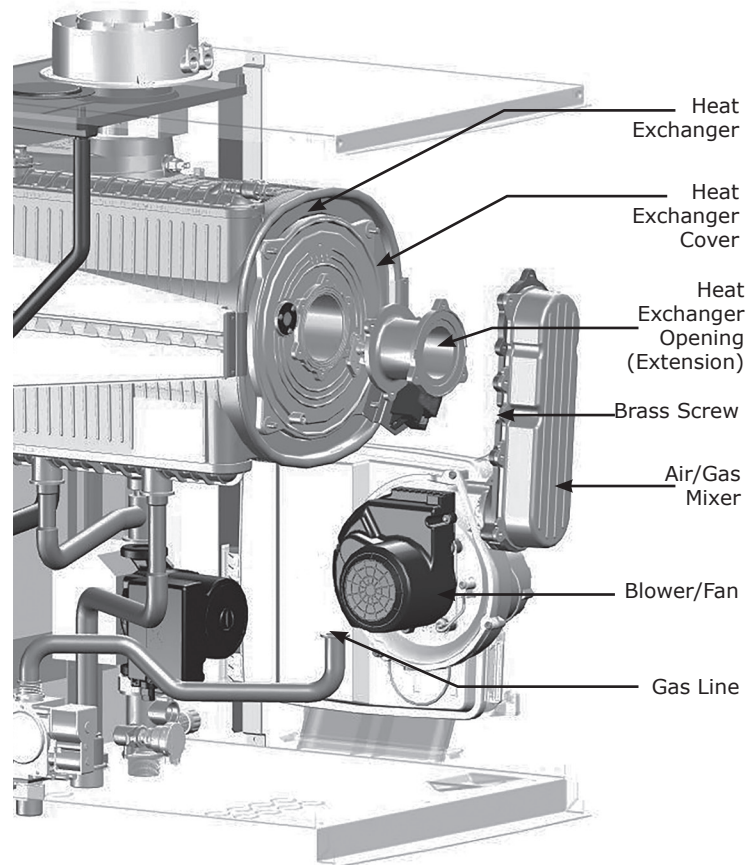


Figure 3 - Air Gas Mixer Assembly

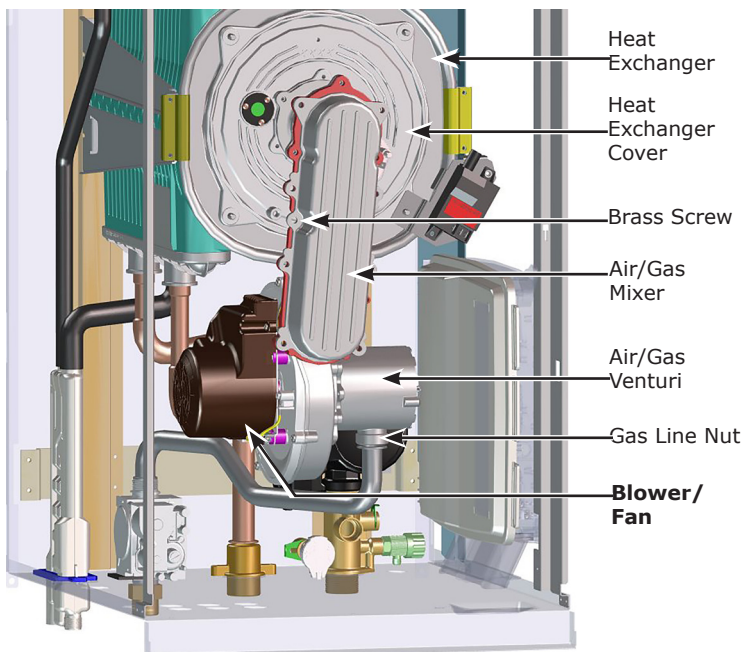


Figure 5 - Burner Gasket Tabs

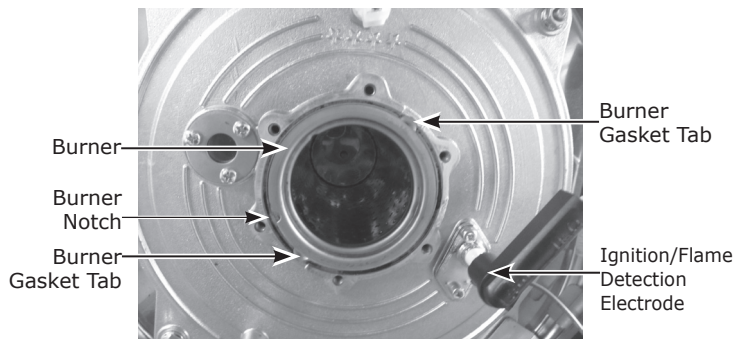
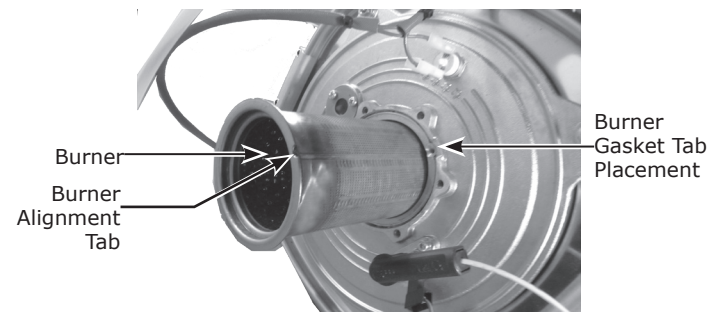


Figure 6 - Burner Alignment and Removal



BURNER REPLACEMENT KIT INSTRUCTIONS

A - Installer Level Parameters

Parameters **P17** to **dF** (error code history) must only be modified by a qualified installer.

To prevent unwanted settings, some parameter settings can only be changed after special access code **0012** is entered.




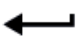



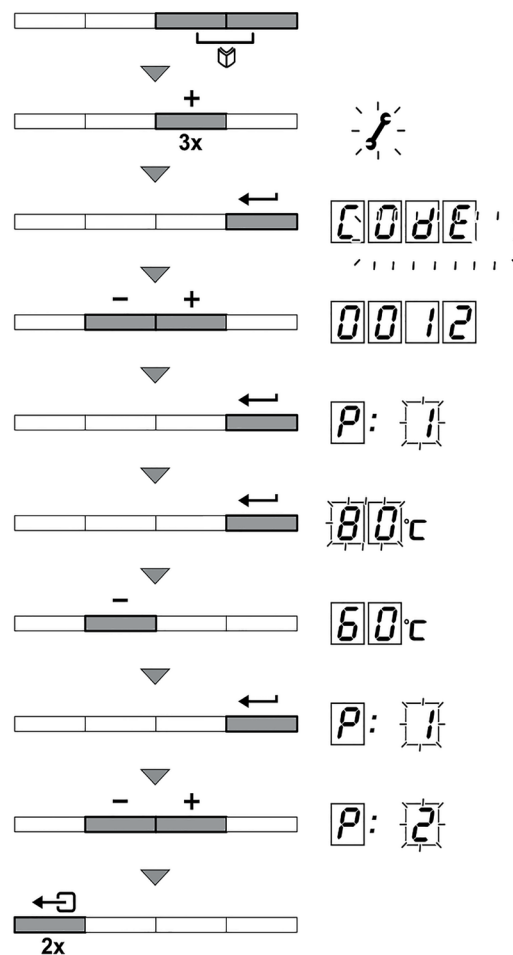
- Press the two Menu buttons  simultaneously and then (+) button until the symbol  flashes on the menu bar.
- Select the INSTALLER menu using the  button. "CODE" appears on the display.
- Use (-) or (+) button to input the installer code "0012".
- Confirm using  button, "P1" is displayed with "1" flashing.
- Press  button a second time, the value will appear and flashes, for example [80°C (176°F)].
- Change the value by pressing the [-] or [+] button. [In this example using [-] button to change the value to 60 °C (140 °F).]
- Confirm the value with the  button, "P1" is displayed with 1 flashing. Button, "P1" is displayed with 1 flashing. If necessary, set other parameters by selecting them using the (-) or (+) button.
- Press  button 2 times to return to current operating mode.

FIGURE 7 - Installer Level Parameters



Natural Gas				Propane			
Air/Gas Mixture		Nozzle		Air/Gas Mixture		Nozzle	
in	mm	in	mm	in	mm	in	mm
1 3/16	30	7/32	5.3	1.18	30	5/32	4

B - Boiler has two dedicated built in test ports. See Figure 8.

One connection port is connected to exhaust flue (A), and allows monitoring of the quality of combustion products and combustion efficiency.

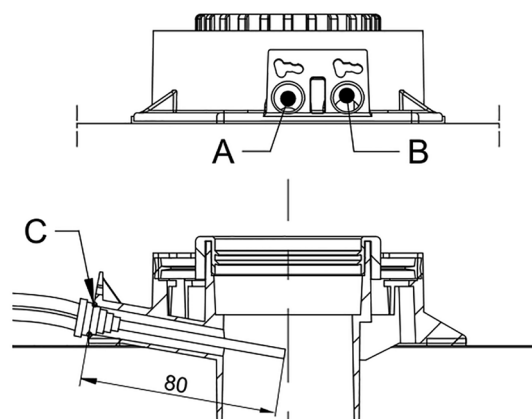
Other is connected to combustion air intake (B), used to check for recycling products for combustion.

The following can be measured at exhaust flue test port:

- temperature of combustion products
- oxygen (O₂) or carbon dioxide (CO₂) concentration;
- carbon monoxide (CO) concentration.



Temperature of combustion air must be measured on air intake test port (B) by inserting measurement sensor approximately 3-3/16" (80.00 mm) (C).

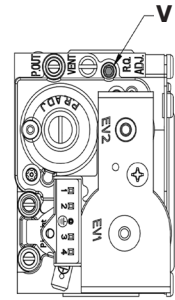
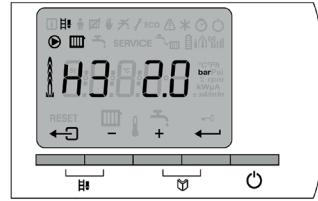
FIGURE 8 - Combustion Air Temperature Ports



BURNER REPLACEMENT KIT INSTRUCTIONS

C - Combustion Setup (High-Fire)


- Unscrew exhaust port plug at exhaust flue test port. See Figure 8.
- Insert combustion analyzer into exhaust flue test port. Verify opening around combustion analyzer probe is completely sealed when taking measurements.
- Set boiler to high-fire by pressing two buttons  simultaneously. Display will show **H3** and the  symbol will appear.
- Measure percentage of O₂ or CO₂ in flue gases.
- Compare the measured values with values in table below. Remove front panel when comparing values.
- Adjust gas/air ratio using high-fire adjustment screw (**V**) if needed. Turn screw clockwise to reduce CO₂ level and counterclockwise to increase it.

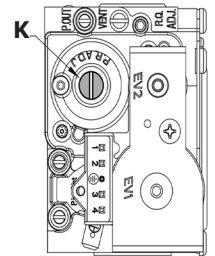
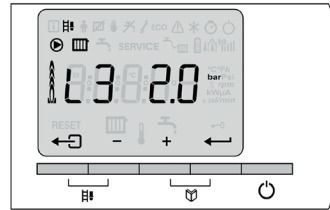


O ₂ /CO ₂ Values at High Fire Natural Gas			
Nominal value		Permitted value	
O ₂ %	CO ₂ %	O ₂ %	CO ₂ %
4.3	9.3	3.9 - 4.7	9.1 - 9.5

O ₂ /CO ₂ Values at High-Fire Propane Gas			
Nominal value		Permitted value	
O ₂ %	CO ₂ %	O ₂ %	CO ₂ %
5.7	10.0	5.4 - 6.0	9.8 - 10.2

D - Combustion Setup (Low-Fire)

- Unscrew exhaust port plug at exhaust flue test port.
- Insert combustion analyzer into exhaust flue test port. Verify the opening around combustion analyzer probe is completely sealed when taking measurements.
- Set boiler to low-fire by pressing two buttons  simultaneously. If the boiler is already in combustion setup mode for high fire, press the (-) button several time until **L3** is displayed on the screen.
- Measure percentage of O₂ or CO₂ in flue gases.
- Compare the measured values with values in table below. Remove front panel when comparing values.
- Adjust gas/air ratio using low-fire adjustment screw (**K**) if needed. Turn screw clockwise to increase CO₂ level and counterclockwise to decrease it.



K - Screw cover shown. Adjustment screw is located under cover.

O ₂ /CO ₂ Values at Low-Fire Natural Gas			
Nominal value		Permitted value	
O ₂ %	CO ₂ %	O ₂ %	CO ₂ %
5.7	8.5	5.4 - 6.1	8.3 - 8.7

O ₂ /CO ₂ Values at Low-Fire Propane Gas			
Nominal value		Permitted value	
O ₂ %	CO ₂ %	O ₂ %	CO ₂ %
6.4	9.6	6.1 - 6.70	9.4 - 9.8

18. Adjust **Parameters 17-19** as indicated **A-D**:

19. Resume operation using OPERATING INSTRUCTIONS found on Operating Instructions label on boiler or in Installation, Operation & Maintenance Manual.

20. Install front panel secure with screws.

21. Verify proper operation. Check our website frequently for updates: www.ecrinternational.com

Burner Replacement Kit 550003246 -Includes:		
Description	PART #	Qty
BURNER 65KW	-	1
BURNER GASKET ASSY	-	2
GAS LINE GASKET	-	1
BURNER REPLACEMENT KIT INSTRUCTIONS	240011700	1