

PCB DISPLAY REPLACEMENT Kit #550003270 Instructions FOR UCS & DMG 240/380 BOILER

Kit installation shall be completed by qualified agency.

⚠ WARNING

Fire, explosion, asphyxiation and electrical shock hazard. Improper installation could result in death or serious injury. Read this instruction and understand all requirements, including requirements of authority having jurisdiction, before beginning installation. Installation not complete until appliance operation verified per Installation, Operation & Maintenance Manual provided with boiler.

⚠ CAUTION

Laceration, burn hazard. Metal edges and parts may have sharp edges and/or may be hot. Use appropriate personal protection equipment to include safety glasses and gloves when installing or servicing this appliance. Failure to follow these instructions could result in minor or moderate injury.

1. Follow instructions TO TURN OFF GAS TO APPLIANCE found on Operating Instructions label on boiler or in Installation, Operation & Maintenance Manual. Verify all electrical power to boiler is turned off.

⚠ WARNING

Electrical shock hazard. Turn OFF electrical power supply at service panel.

2. Turn electric and gas off to appliance.
3. Remove screws from jacket cover. Lift jacket off.

⚠ WARNING

Burn hazard. Verify unit has cooled before servicing. Use appropriate personal protection equipment.

4. Inspect combustion chamber through sight glass. Verify flame is not present. See figure 1.

Figure 1 - 240 Heat Exchanger - Front of Boiler

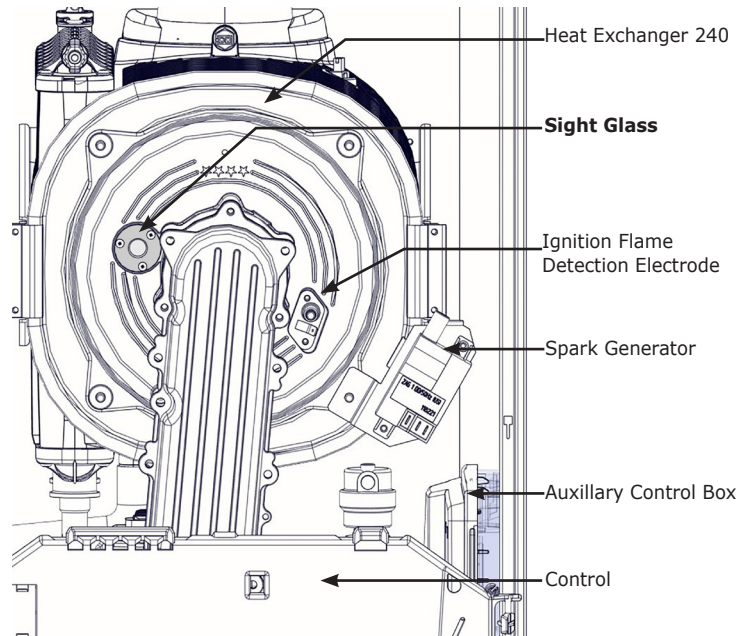
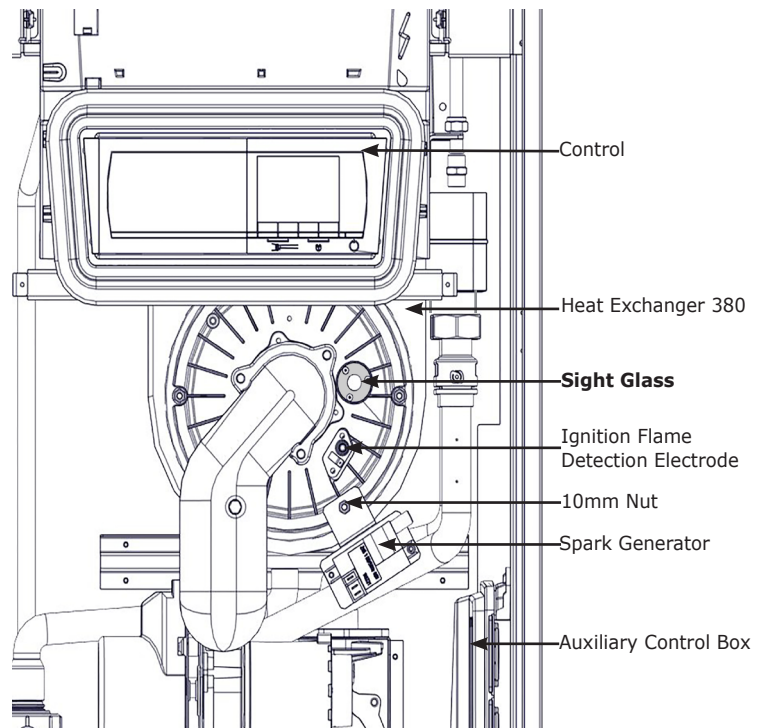


Figure 2 - 380 Heat Exchanger - Front of Boiler



PCB DISPLAY REPLACEMENT KIT INSTRUCTIONS

5. 380- Release five (5) clips securing rear cover of control assembly.
6. Press tabs and place control panel in down position. See Figure 3.
7. 240- Release five (5) clips securing rear cover of control assembly.
8. Remove rear cover of control assembly.
9. Unplug harness from back of display.
10. Release 2 clear tabs from bottom of display. Remove display.
11. Unplug ribbon cable from PCU-04 control board.
12. Install new display. Engage clear tabs into upper slots of control assembly. Push down on lower clear tabs to engage.
13. Connect ribbon cable to PCU-04 routing cable through slot in control assembly.
14. Connect harness to back of display.
15. Install rear cover on control assembly with five (5) clips. Verify there are no pinched wires.
16. Return Control panel to upright position.
17. Install front panel secure with screws.
18. Turn electric and gas to boiler on.
19. Resume operation using OPERATING INSTRUCTIONS found on Operating Instructions label on boiler or in Installation, Operation & Maintenance Manual.
20. Verify proper operation.

Figure 3 - Control Panel and Tab-380 Down Position

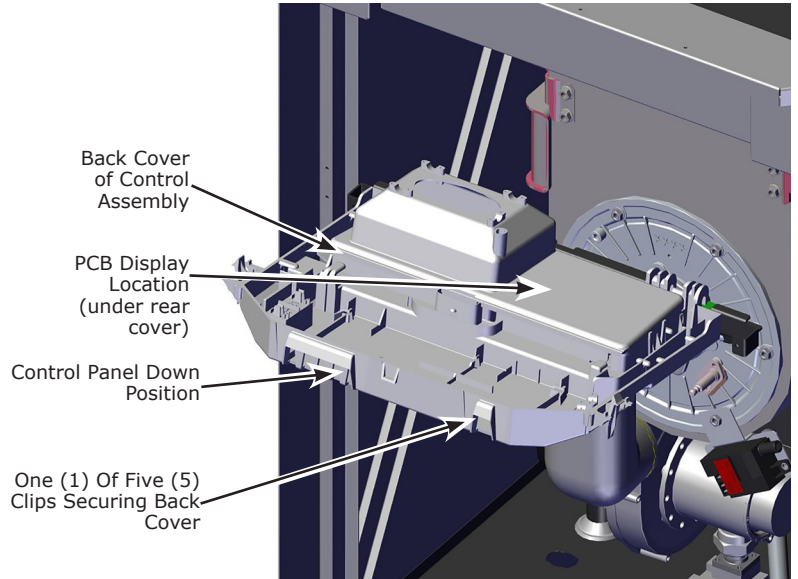
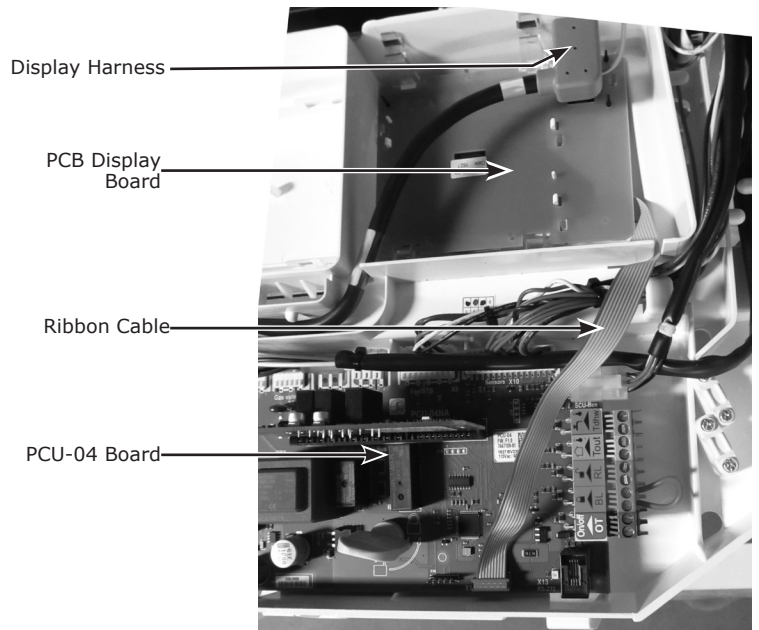


Figure 4 - PCB Display - Location



PCB-Display Replacement Kit 550003270 -Includes:		
Description	PART #	Qty
PCB DISPLAY	-	1
KIT INSTRUCTIONS	240011711	1