

BOILER INTERNAL PUMP REPLACEMENT KIT INSTRUCTIONS

Kit #550003280

FOR UCS & DMG 380 BOILER

Kit installation shall be completed by qualified agency.

⚠ WARNING

Fire, explosion, asphyxiation and electrical shock hazard. Improper installation could result in death or serious injury. Read this instruction and understand all requirements, including requirements of authority having jurisdiction, before beginning installation. Installation not complete until appliance operation verified per Installation, Operation & Maintenance Manual provided with boiler.

⚠ CAUTION

Laceration, burn hazard. Metal edges and parts may have sharp edges and/or may be hot. Use appropriate personal protection equipment to include safety glasses and gloves when installing or servicing this appliance. Failure to follow these instructions could result in minor or moderate injury.

1. Follow instructions TO TURN OFF GAS TO APPLIANCE found on Operating Instructions label on boiler or in Installation, Operation & Maintenance Manual. Verify all electrical power to boiler is turned off.

⚠ WARNING

Electrical shock hazard. Turn OFF electrical power supply at service panel.

2. Turn power and gas off to appliance.
3. Remove two (2) screws from front panel. Remove panel

⚠ WARNING

Burn hazard. Verify unit has cooled before servicing. Use appropriate personal protection equipment.

4. Inspect combustion chamber through sight glass. Verify flame is not present. See Figure 1.
5. Isolate water side of boiler from system and drain boiler.
6. Remove three (3) screws from right side panel. Remove panel. See Figure 2.

Figure 1 - 380 - Sight Glass Location

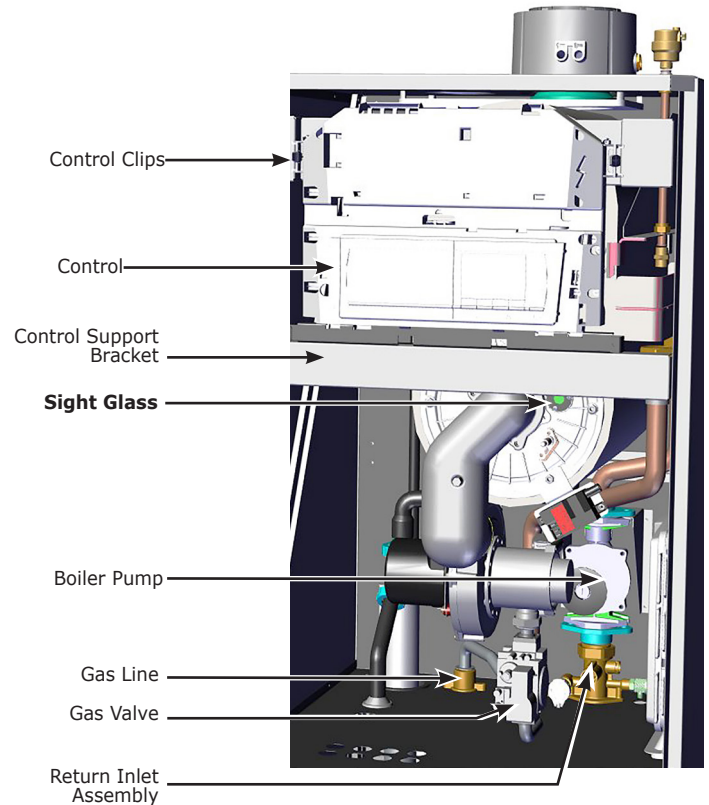
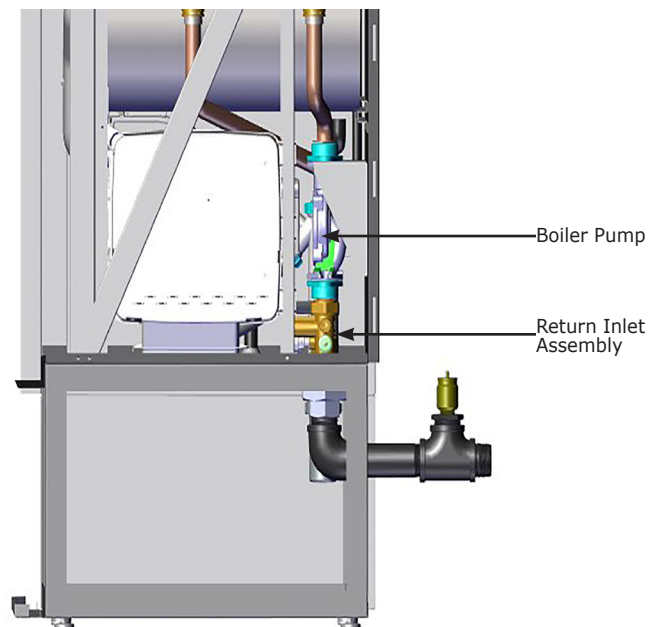


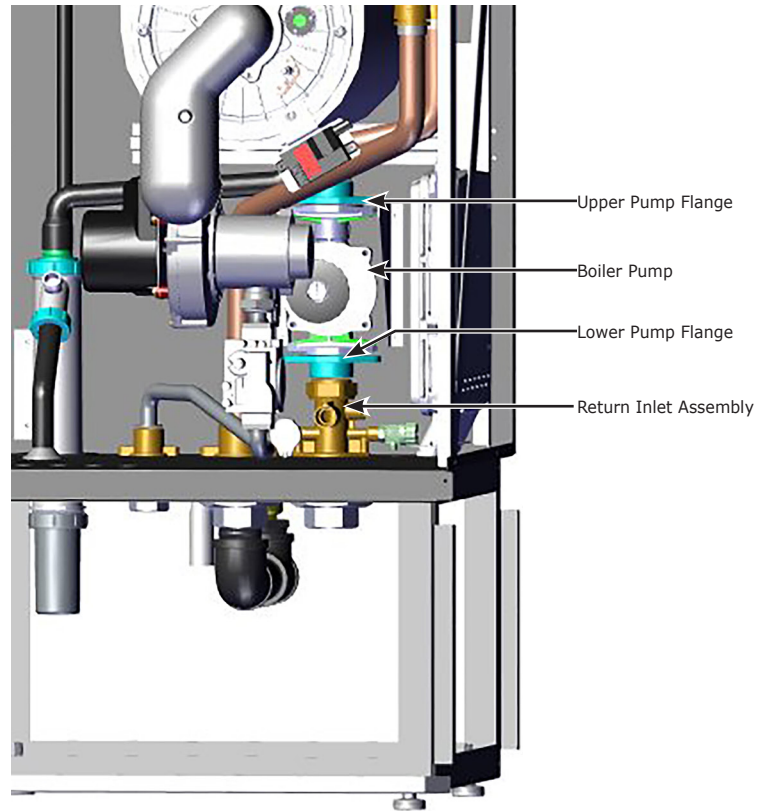
Figure 2 - Boiler with Right Side Panel Removed



BOILER INTERNAL PUMP REPLACEMENT KIT INSTRUCTIONS

7. Remove four (4) bolts securing pump flanges to pump. See Figure 3.
8. Remove pump and gaskets. Disconnect wiring to pump.
9. Remove two (2) screws securing return inlet assembly to bottom boiler panel. Remove assembly. See Figure 3.
10. Connect wiring to new pump.
11. Install new pump with gaskets. Secure with 4 flange bolts.
12. Fill boiler, purge for air. Check for leaks.
13. Open valves to system
14. Install right side panel secure with three (3) screws.
15. Turn power and gas on. Check for leaks.
16. Resume operation using OPERATING INSTRUCTIONS found on Operating Instructions label on boiler or in Installation, Operation & Maintenance Manual.
17. Install front panel secure with screws.
18. Verify proper operation.

Figure 3 - Internal Boiler Pump (Boiler front shown with front, back and base panels removed for illustration)



| Boiler Internal Pump Replacement Kit 550003280-Includes: | | |
|---|-----------|-----|
| Description | PART # | Qty |
| PUMP | - | 1 |
| INSTRUCTIONS | 240011717 | 1 |