

GAS PIPE REPLACEMENT KIT 550003261 INSTRUCTIONS FOR UCS & DMG 240 BOILER

Kit installation shall be completed by qualified agency.

⚠ WARNING

Fire, explosion, asphyxiation and electrical shock hazard. Improper installation could result in death or serious injury. Read these instructions and understand all requirements, including requirements of authority having jurisdiction, before beginning installation. Installation not complete until appliance operation is verified per Installation, Operation & Maintenance Manual provided with boiler.

⚠ CAUTION

Laceration, burn hazard. Metal edges and parts may have sharp edges and/or may be hot. Use appropriate personal protection equipment to include safety glasses and gloves when installing or servicing this appliance. Failure to follow these instructions could result in minor or moderate injury.

Gas Piping Replacement Instructions

1. Follow instructions To TURN OFF GAS TO APPLIANCE found on Operating Instructions label on boiler or in Installation, Operation & Maintenance Manual. Verify all electrical power to boiler is turned off.

⚠ WARNING

Electrical shock hazard. Turn OFF electrical power supply at service panel.

2. Remove two (2) screws from front panel. Lift panel off.

⚠ WARNING

Burn hazard. Verify unit has cooled before servicing. Use appropriate personal protection equipment.

3. Inspect combustion chamber through sight glass. Verify flame is not present. See Figure 1.
4. Press tabs at side of control. Place control panel in downward position.
5. Remove nuts securing gas line to gas valve.
6. Loosen nut securing gas line to Air/Gas Venturi. Remove gas line and gaskets.
7. Tighten by hand gas line and new gasket to Air/Gas Venturi.
8. Ensure gaskets are seated. Tighten both nuts with wrench.
9. Turn Gas and Electric to boiler on.
10. Check for leaks
11. Place control in upright position.
12. Resume operation using OPERATING INSTRUCTIONS found on Operating Instructions label on boiler or in Installation, Operation & Maintenance Manual.
13. Install front panel. Secure in place with removed screws.
14. Verify proper operation

Figure 1 - 240 Heat Exchanger - Front of Boiler

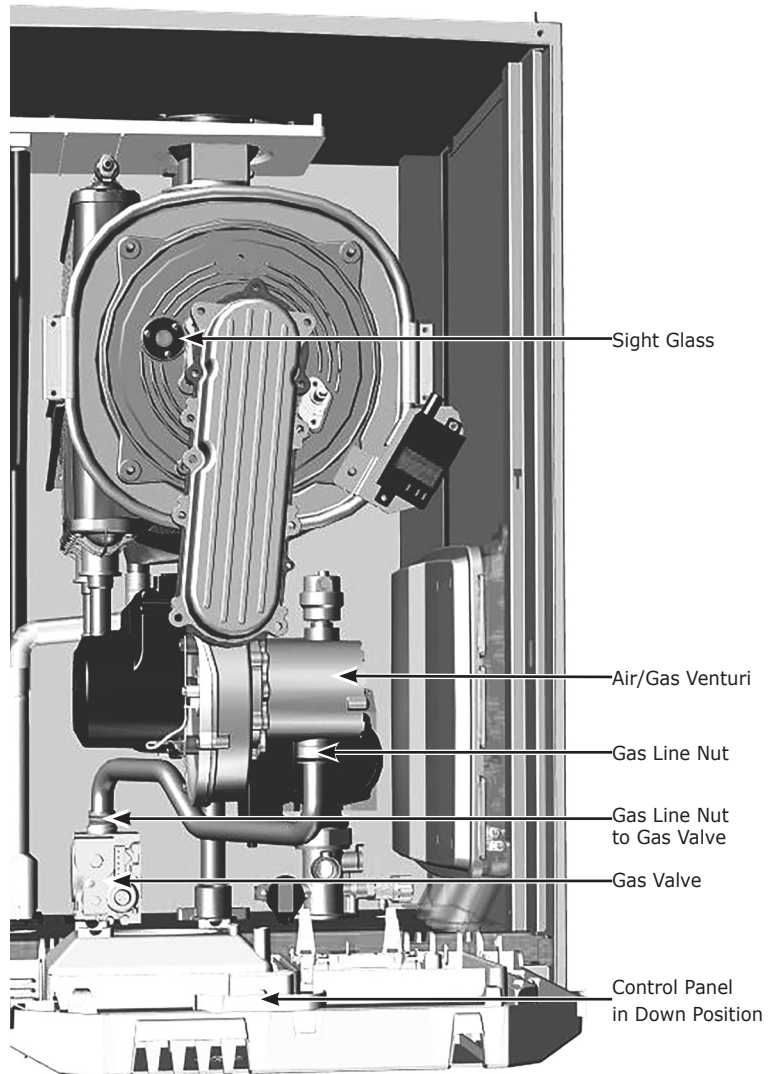


Figure 2 - Gas Pipe Removed - Nuts at each end not shown



Illustrations are a depiction of the boiler for general location of parts and are subject to change without notice.

**GAS PIPE REPLACEMENT
FOR UCS & DMG 240 BOILER**

PARTS LIST

UCS, DMG - 240 Gas Pipe Replacement Kit 55003261 includes:		
DESCRIPTION	PART #	QTY
Pipe Gas Valve/Mixer	-	1
Sealing Washer G 384	-	2
Instructions	240011723	1