

**REPLACEMENT FLUE CONNECTION
KIT 550003264 INSTRUCTIONS
UCS/DMG - 240, MAC/MAH - 165/205,
DCC/DCB - 165-205**

Kit installation shall be completed by qualified agency.

⚠ WARNING

Fire, explosion, asphyxiation and electrical shock hazard. Improper installation could result in death or serious injury. Read these instructions and understand all requirements, including requirements of authority having jurisdiction, before beginning installation. Installation not complete until appliance operation is verified per Installation, Operation & Maintenance Manual provided with boiler.

⚠ CAUTION

Laceration, burn hazard. Metal edges and parts may have sharp edges and/or may be hot. Use appropriate personal protection equipment to include safety glasses and gloves when installing or servicing this appliance. Failure to follow these instructions could result in minor or moderate injury.

Replacement Flue Connection Kit Instructions:

1. Follow instructions To TURN OFF GAS TO APPLIANCE found on Operating Instructions label on boiler or in Installation, Operation & Maintenance Manual. Verify all electrical power to boiler is turned off.

⚠ WARNING

Electrical shock hazard. Turn OFF electrical power supply at service panel.

2. Remove two (2) screws from front panel. Lift panel off.

⚠ WARNING

Burn hazard. Verify unit has cooled before servicing. Use appropriate personal protection equipment.

3. Inspect combustion chamber through sight glass. Verify flame is not present. See Figures 1 and 2.
4. Disconnect existing vent pipe from flue connection.
5. Remove four (4) screws securing flue connection to top of panel. Remove flue connection and gasket.
6. Assemble new flue connection gaskets to assembly and insert test port plug and oring.
7. Reconnect flue pipe to unit.
8. Turn Gas and Electric to boiler on.
9. Resume operation using OPERATING INSTRUCTIONS found on Operating Instructions label on boiler or in Installation, Operation & Maintenance Manual.
10. Install front panel. Secure in place with removed screws.
11. Verify proper operation

Illustrations are depiction of the boiler for general location of parts and are subject to change without notice.

Figure 1 - Sight Glass - Front of Boiler

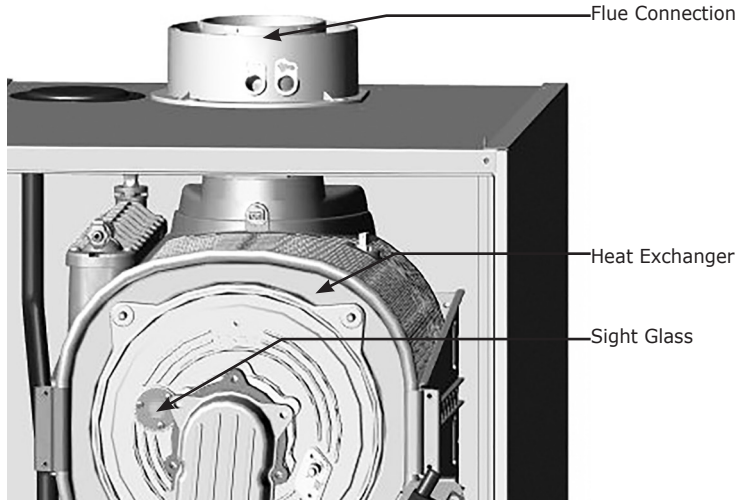
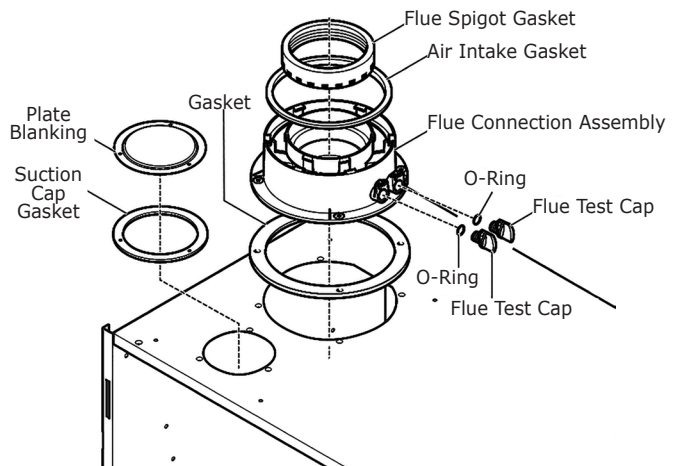


Figure 2 - Exploded View of Flue Connection



**Flue Connection Replacement
Kit 550003264 includes:**

DESCRIPTION	PART #	QTY
Flue Connection Assembly	-	1
Gasket	-	1
Plate Blanking	-	1
Suction Cap Gasket	-	1
Flue Spigot Gasket	-	1
Air In Take Gasket D.215	-	1
Flue Test Cap	-	2
O-Ring 8,73X1,78	-	2
Instructions	240011727	1