

CONDENSATE TRAY REPLACEMENT Kit #550003263 INSTRUCTIONS FOR UCS & DMG 240 BOILER

Kit installation shall be completed by qualified agency.

⚠ WARNING

Fire, explosion, asphyxiation and electrical shock hazard. Improper installation could result in death or serious injury. Read this instruction and understand all requirements, including requirements of authority having jurisdiction, before beginning installation. Installation not complete until appliance operation verified per Installation, Operation & Maintenance Manual provided with boiler.

⚠ CAUTION

Laceration, burn hazard. Metal edges and parts may have sharp edges and/or may be hot. Use appropriate personal protection equipment to include safety glasses and gloves when installing or servicing this appliance. Failure to follow these instructions could result in minor or moderate injury.

1. Follow instructions TO TURN OFF GAS TO APPLIANCE found on Operating Instructions label on boiler or in Installation, Operation & Maintenance Manual. Verify all electrical power to boiler is turned off.

⚠ WARNING

Electrical shock hazard. Turn OFF electrical power supply at service panel.

2. Turn electric and gas off to appliance.
3. Remove two (2) screws from jacket cover. Lift jacket off.

⚠ WARNING

Burn hazard. Verify unit has cooled before servicing. Use appropriate personal protection equipment.

4. Inspect combustion chamber through sight glass. Verify flame is not present. See Figure 1.
5. Disconnect vent pipe from flue connection.
6. Remove four (4) screws from flue connection. Remove flue connection and gasket. See Figure 2.
7. Remove four (4) screws from top panel securing condensate tray.

Figure 1 - Sight Glass, Condensate Tray
(View Front of Boiler Front and Top Jacket Removed)

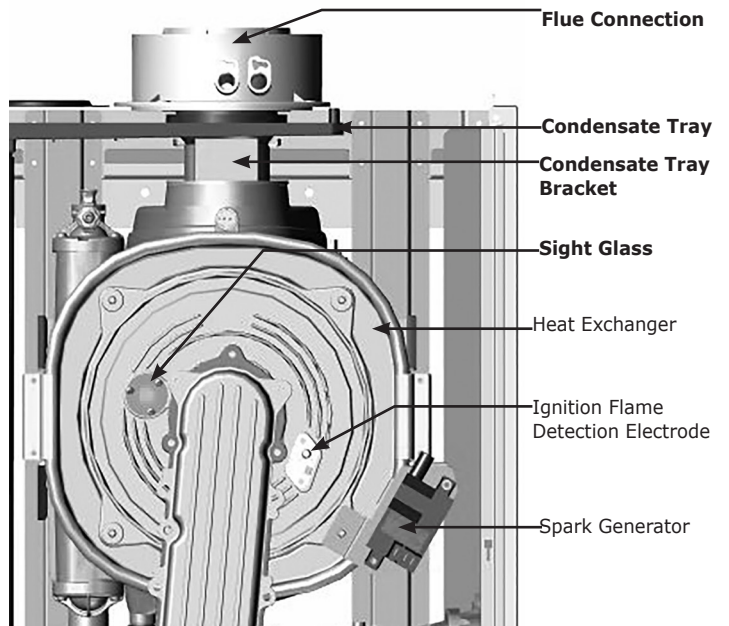
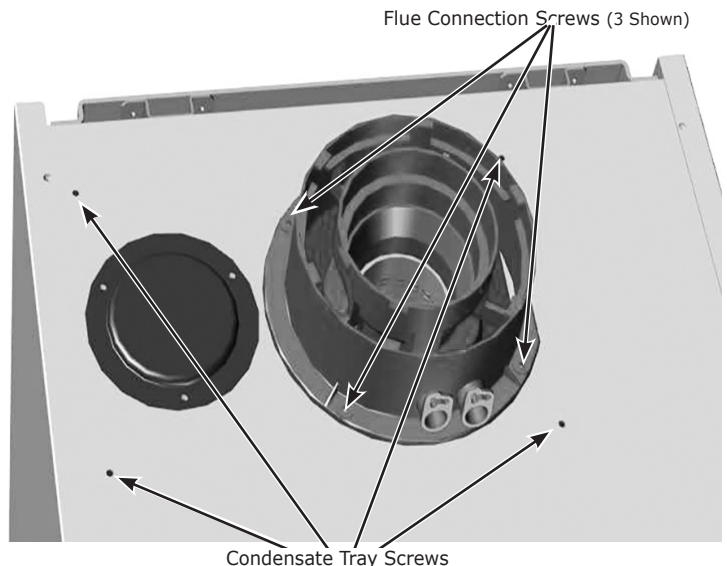


Figure 2 - Condensate Tray Screws
(View Top of Boiler)



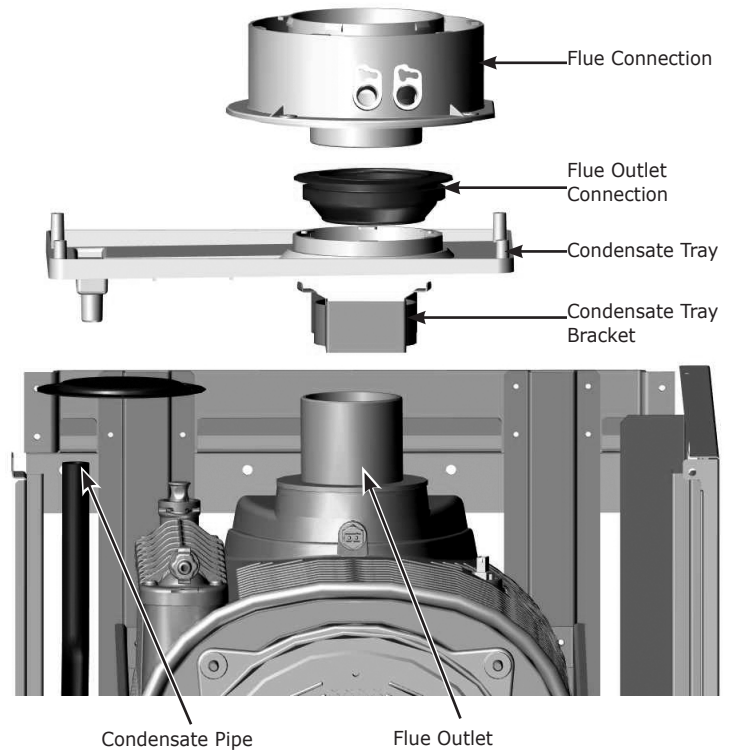
Illustrations are a depiction of the boiler for general location of parts and are subject to change without notice.

P/N 240011729 Rev. A [02/20/2017]

CONDENSATE TRAY REPLACEMENT KIT INSTRUCTIONS

8. Remove bracket below condensate tray. Disconnect condensate hose from condensate tray. See Figure 3.
9. Pull up on flue outlet from top of boiler. Slide condensate tray to front of unit to remove.
10. Remove existing flue outlet connection from condensate tray. Insert flue outlet into new condensate tray.
11. Install new condensate tray. Place flue outlet into top of heat exchanger. Place bracket under tray around outlet connection. Secure with four (4) screws through top panel.
12. Connect condensate pipe to condensate tray.
13. Place new gasket. Install flue connection assembly. Secure flue assembly with four (4) screws.
14. Connect vent piping to flue connector assembly
15. Install front panel secure with screws.
16. Turn electric and gas to boiler on.
17. Resume operation using OPERATING INSTRUCTIONS found on Operating Instructions label on boiler or in Installation, Operation & Maintenance Manual.
18. Verify proper operation.

Figure 3 - Condansate Tray, Flue Connection and Bracket Removed (Shown Without Top and Front Panel)



Condensate Tray Replacement Kit 550003263 -Includes:		
Description	PART #	Qty
CONDENSATE TRAY	-	1
CONDENSATE GASKET	-	1
REPLACEMENT KIT INSTRUCTIONS	240011729	1