

FLUE CONNECTION REPLACEMENT

KIT 550003291

INSTRUCTIONS

FOR UCS & DMG 380 BOILER

Kit installation shall be completed by qualified agency.

⚠ WARNING

Fire, explosion, asphyxiation and electrical shock hazard. Improper installation could result in death or serious injury. Read these instructions and understand all requirements, including requirements of authority having jurisdiction, before beginning installation. Installation not complete until appliance operation is verified per Installation, Operation & Maintenance Manual provided with boiler.

⚠ CAUTION

Laceration, burn hazard. Metal edges and parts may have sharp edges and/or may be hot. Use appropriate personal protection equipment to include safety glasses and gloves when installing or servicing this appliance. Failure to follow these instructions could result in minor or moderate injury.

Flue Connection Kit Replacement Instructions

1. Follow instructions To TURN OFF GAS TO APPLIANCE found on Operating Instructions label on boiler or in Installation, Operation & Maintenance Manual. Verify all electrical power to boiler is turned off.

⚠ WARNING

Electrical shock hazard. Turn OFF electrical power supply at service panel.

2. Remove two (2) screws from front panel. Lift panel off.

⚠ WARNING

Burn hazard. Verify unit has cooled before servicing. Use appropriate personal protection equipment.

3. Inspect combustion chamber through sight glass. Verify flame is not present. See Figures 1 and 2.
4. Remove flue pipe from Flue Connection.
5. Remove four (4) screws securing flue connection to top of panel. Remove flue connection and gasket.
6. Verify flue connection is the same as removed. Verify all pieces are installed (parts may loosen in shipping). Assemble if needed.
7. Install new gasket and Flue Connection. Secure with four (4) screws.
8. Reconnect vent to flue connection.
9. Turn Gas and Electric to boiler on.
10. Resume operation using OPERATING INSTRUCTIONS found on Operating Instructions label on boiler or in Installation, Operation & Maintenance Manual.
11. Install front panel. Secure in place with removed screws.
12. Verify proper operation

Figure 1 - Sight Glass - Front of Boiler

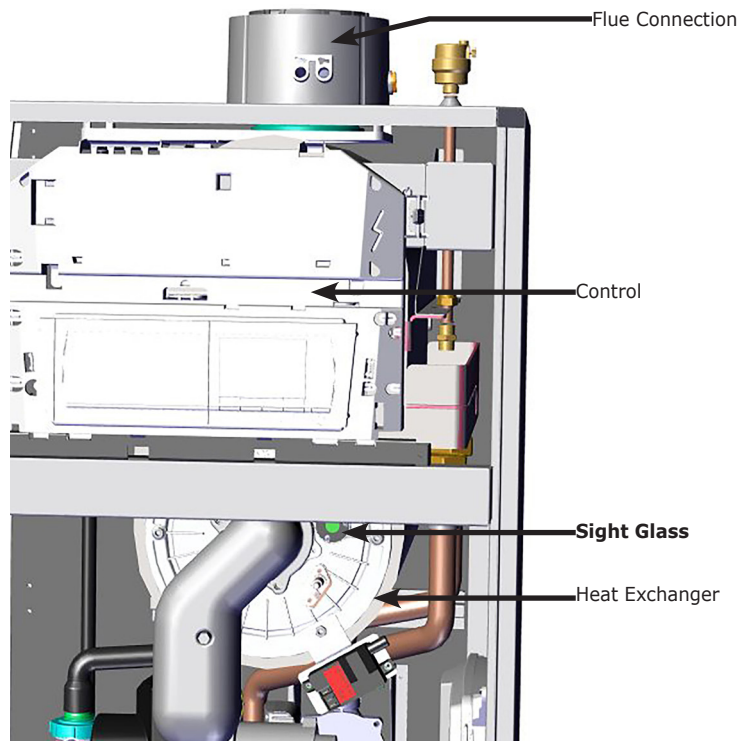
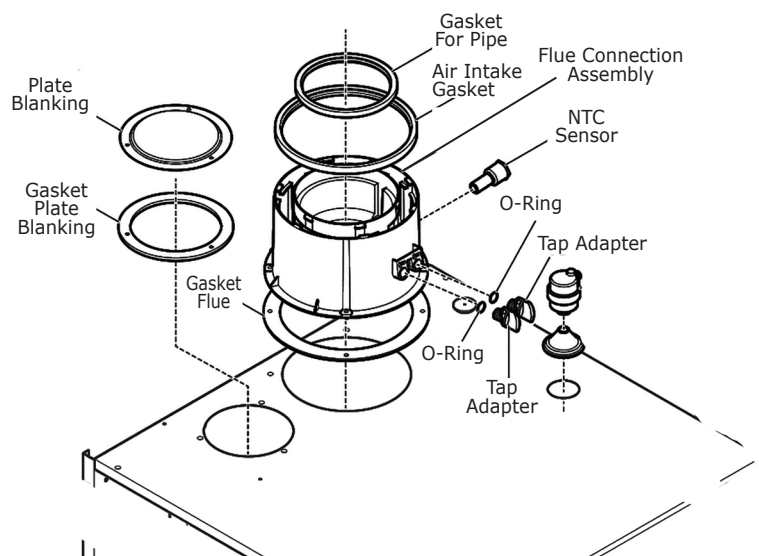


Figure 2 - Exploded View of Flue Connection



Illustrations are a depiction of the boiler for general location of parts and are subject to change without notice.

Parts List

UCS, DMG - 380 Flue Connection Replacement Kit 550003291 includes:		
DESCRIPTION	PART #	QTY
FLUE CONNECTION ASSEMBLY	-	1
GASKET FLUE	-	1
PLATE BLANKING	-	1
GASKET BLANKING PLATE	-	1
GASKET FOR PIPE	-	1
AIR IN TAKE GASKET D.160	-	1
TAP ADAPTER	-	2
O-RING 8,73x1,78	-	2
NTC SENSOR	-	1
INSTRUCTIONS	240011733	1