

UCS/DMG COMMON VENT KIT #550003354

INSTRUCTIONS

Kit installation shall be completed by qualified agency.

⚠ WARNING

Fire, explosion, asphyxiation and electrical shock hazard. Improper installation could result in death or serious injury. Read these instructions and understand all requirements, including requirements of authority having jurisdiction, before beginning installation. Installation not complete until appliance operation is verified per Installation, Operation & Maintenance Manual provided with boiler.

⚠ WARNING

Following service procedures shall be performed by qualified service agent. Boiler owner shall not attempt these steps. Failure to do so could result in death or serious injury.

⚠ CAUTION

Laceration, burn hazard. Metal edges and parts may have sharp edges and/or may be hot. Use appropriate personal protection equipment to include safety glasses and gloves when installing or servicing this appliance. Failure to follow these instructions could result in minor or moderate injury.

NOTICE

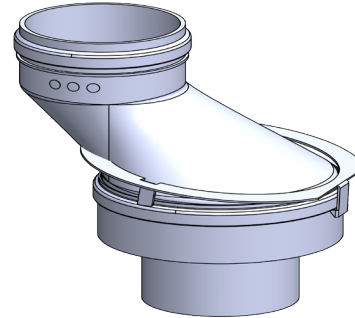
Back Flow Valve assembly shall be installed in vertical position.

Install this kit in accordance with these instructions, authority having jurisdiction, and:

- USA - National Fuel Gas Code, ANSI Z223.1/NFPA 54.
- Canada - Natural Gas and Propane Installation Code, CAN/CSA B149.1

Kit 550003354 Contents	
Description	Qty
Check Valve 100 mm	1
Increaser 80-100 mm	1
Decreaser 110-100 mm	1
Grill Air Intake 80 x 125	1
Grill Air Intake 100 x 150	1
Instructions	1

Figure 1 - Common Vent Kit



Illustrations are a depiction of the boiler for general location of parts and are subject to change without notice.

NOTICE

Check valve is compatible with DuraVent® vent pipe only.

Common Vent Kit Installation

1. Follow instructions To TURN OFF GAS TO APPLIANCE found on Operating Instructions label on boiler or in Installation, Operation & Maintenance Manual. Verify all electrical power to boiler is turned off.

⚠ WARNING

Electrical shock hazard. Turn OFF electrical power supply at service panel.

NOTICE

Verify all fasteners are installed and secure.

2. Follow all instructions for proper installation as listed in the Installation, Operation and Maintenance Manual including but not limited to "Combustion Air And Vent Piping". Do not deviate from common vent section in IOM.
3. Install Common Vent Kit after boiler is secure.
4. Each boiler in common vent system requires its own common vent kit.
5. Common vent kit usage is for one pipe configurations ONLY.
6. Install air intake grill.
7. 380 models require install of deceiver. 240 models require install of increaser.
8. Directional arrow shall point away from boiler when installing common vent check valve.
9. Verify all venting is sized correctly.
10. Turn Gas and Electric to boiler on.
11. Resume operation using OPERATING INSTRUCTIONS found on Operating Instructions label on boiler or in Installation, Operation & Maintenance Manual.
12. Verify proper operation.