



CONDENSING GAS FIRED
WALL MOUNTED BOILER

Models
MAH 125/165
MAC 150/205

**PARTS, KITS &
OPTIONAL ACCESSORIES**

ORDERING INSTRUCTIONS
ORDER PARTS THROUGH YOUR NEAREST SUPPLIER.
WHEN ORDERING PARTS, OBTAIN MODEL NUMBER AND SERIAL NUMBER
FROM DATA PLATE ON YOUR BOILER.
INCLUDE FOLLOWING INFORMATION WHEN ORDERING.

PART NUMBER _____

PART DESCRIPTION _____

BOILER MODEL NUMBER _____

BOILER SERIAL NUMBER _____



MANUFACTURED BY:
ECR INTERNATIONAL INC.
2201 DWYER AVENUE, UTICA, NY 13501
TEL. 800 253 7900
WWW.ECRINTERNATIONAL.COM
PN 240011943 REV. C [03/31/2018]

TABLE OF CONTENTS

PARTS, KITS AND EXPLODED VIEW TABLE OF CONTENTS					
PAGE	DESCRIPTION	125	150	165	205
3	FRONT JACKET KITS	●	●	●	●
3	RIGHT SIDE JACKET KITS	●	●	●	●
3	LEFT SIDE JACKET KITS	●	●	●	●
4	COMBUSTION CHAMBER GASKET REPLACEMENT KITS	●	●	●	●
5	BURNER REPLACEMENT KITS	●	●	●	●
6	SIGHT GLASS REPLACEMENT KITS	●	●	●	●
6	IGNITION ELECTRODE REPLACEMENT KITS	●	●	●	●
6	FLAME SENSOR REPLACEMENT KITS	●	●	●	●
7	FAN, AIR MIXER, BLOWER REPLACEMENT KIT	●	●		
8	FAN, AIR MIXER, BLOWER REPLACEMENT KIT			●	●
9	DHW PLATE REPLACEMENT EXCHANGER KITS		●		●
10	THREE WAY VALVE MOTRO REPLACEMENT KITS	●	●		●
11	DHW TEMPERATURE SENSOR REPLACEMENT KITS		●		●
11	DHW SENSOR REPLACEMENT KIT FOR INDIRECT STORAGE TANK	●		●	
12	PCB/CONTROL REPLACEMENT KIT	●	●	●	●
12	SERVICE KEY REPLACEMENT KIT	●	●	●	●
13	FLUE GASKET REPLACEMENT KITS	●	●	●	●
13	SEALS, CLIPS, ETC, KIT	●	●	●	●
14	150 EXPLODED VIEW		●		
15	125 EXPLODED VIEW	●			
16	205 EXPLODED VIEW				●
17	165 EXPLODED VIEW			●	
18	PARTS LISTING	●	●	●	●
19	PARTS LISTING CONTINUED	●	●	●	●

JACKET KITS

550003160 FRONT JACKET REPLACEMENT KIT INCLUDES:					
DESCRIPTION	QTY PER	125	150	165	205
KIT,JKT,FRNT	1	●	●	●	●
BD,FRONTAL INSULATION PANEL	1	●	●	●	●
RVT, 1/8",SEALING	1	●	●	●	●
BEZEL,WNDW	1	●	●	●	●
NUT,PUSH,1/4"X17/32",PS250085OH	1	●	●	●	●
LBL,LOGO	1	●	●	●	●

125/150

KIT 55000 3164 - RIGHT SIDE JACKET REPLACEMENT KIT 125/150 - INCLUDES:			
DESCRIPTION	QTY PER	125	150
JKT,SIDE,RT,	1	●	●
BD, SIDE, INSULATION PANEL	1	●	●

KIT 550003162- LEFT SIDE JACKET REPLACEMENT KIT 125/150 - INCLUDES:			
DESCRIPTION	QTY PER	125	150
JKT,SIDE,LT,	1	●	●

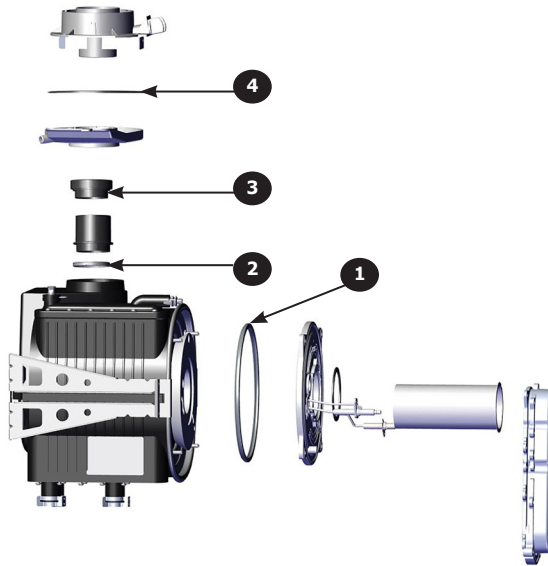
165/205

KIT 550003476 - RIGHT SIDE JACKET REPLACEMENT KIT 165/205			
DESCRIPTION	QTY PER	165	205
JKT,SIDE,RT	1	●	●
LBL,WARN,SFTY	1	●	●

KIT 550003475- LEFT SIDE JACKET REPLACEMENT KIT 165/205			
DESCRIPTION	QTY PER	165	205
JKT,SIDE,LT,HO	1	●	●

COMBUSTION CHAMBER GASKET REPLACEMENT KITS

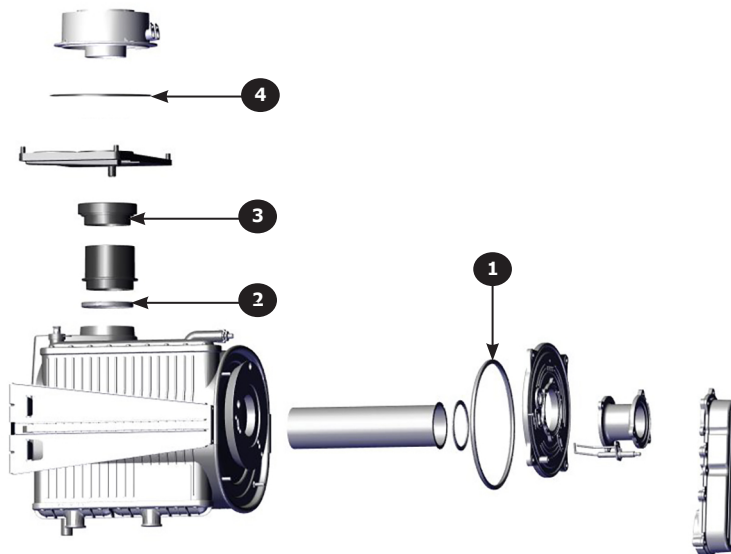
125/150



KIT 550003156 - COMBUSTION CHAMBER GASKET REPLACEMENT 125/150 - KIT INCLUDES:

POS	PN	DESCRIPTION	QTY PER	125	150
1	BD710111502V	COMBUSTION CHAMBER GASKET	1	●	●
2	BD710108001V	GASKET WITH DOUBLE LIP (CONDENSATE TRAY)	1	●	●
3	BD000005411030	GASKET (WATER TRAY TO HEAT EXCHANGER)	1	●	●
4	BD710107601V	FLUE ADAPTER GASKET	1	●	●
-	240011402	INSTRUCTIONS	1	●	●

165/205

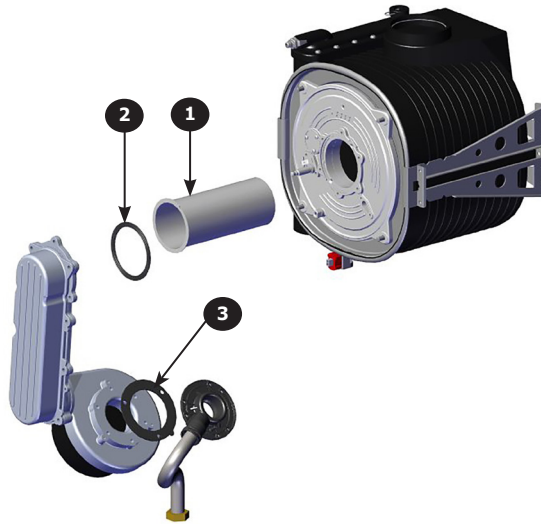


KIT 550003458 - HEAT EXCHANGER GASKET REPLACEMENT 165/205 - KIT INCLUDES:

POS	PN	DESCRIPTION	QTY PER	165	205
1	BD722003801V	COMBUSTION CHAMBER GASKET	1	●	●
2	BD767373901V	CONDENSATE TRAY SEAL	1	●	●
3	BD000005411030	GASKET (WATER TRAY TO HEAT EXCHANGER)	1	●	●
4	BD000005410712	GASKET, FLUE ADAPTER TO CABININT	1	●	●
-	240012082	INSTRUCTIONS 165/205	1	●	●

BURNER SERVICE AND REPLACEMENT KITS

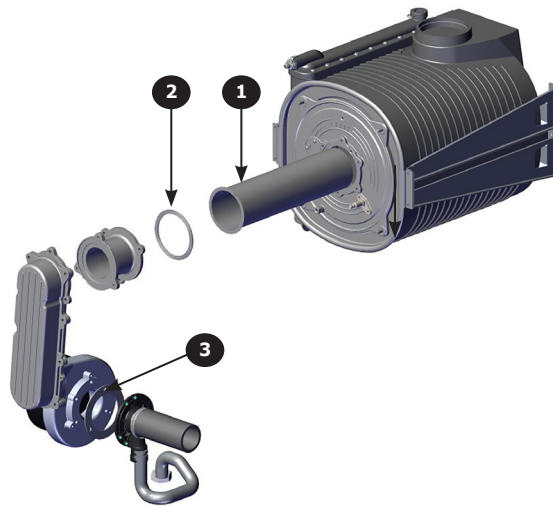
125/150



KIT 550003155 - BURNER SERVICE KIT 125/150 - KIT INCLUDES:

POS	PN	DESCRIPTION	QTY PER	125	150
1	BD711559101V	BURNER	1	●	●
2	BD711408002V	BD,GASKET, BURNER, ASSY	1	●	●
3	BD710115601V	BD,VENTURI GASKET, MIXER TO AIR/GAS	1	●	●
-	240011401	INST,GSKT,BNR,MAC/H,DCC/B	1	●	●

165/205

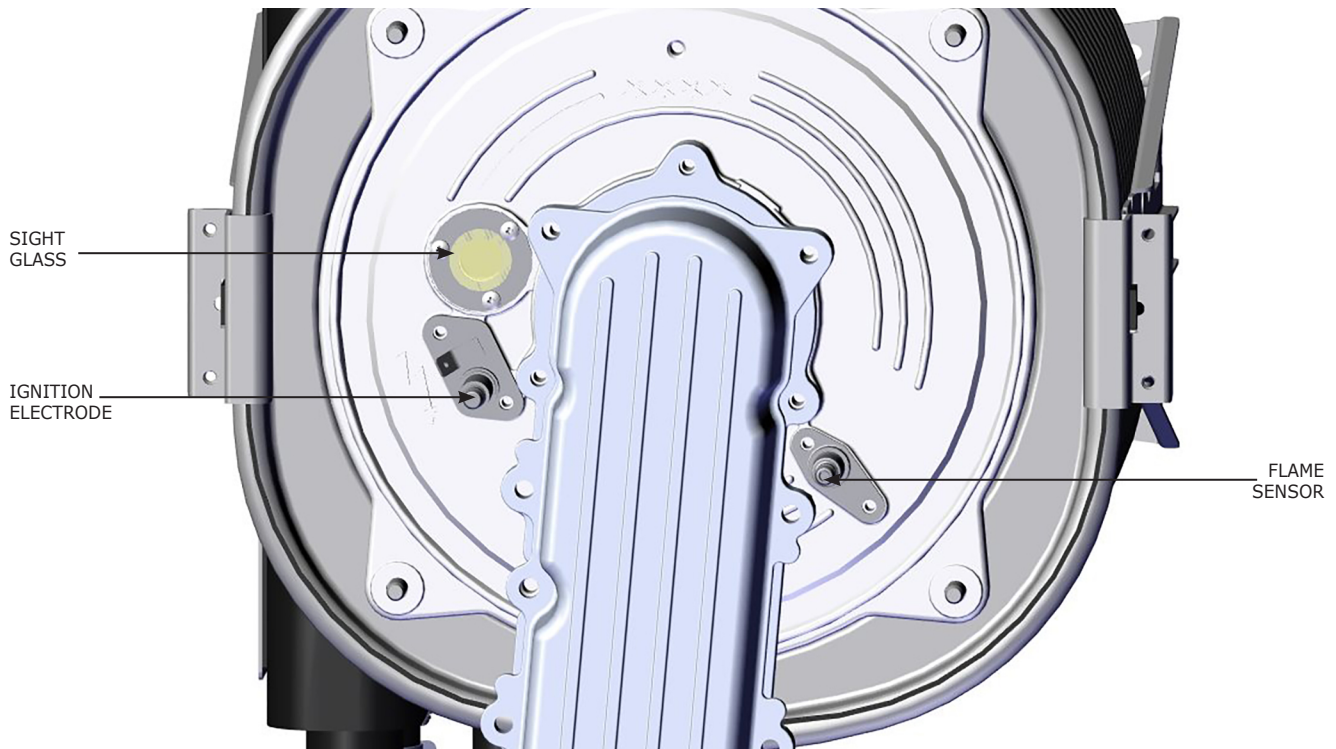


KIT 550003456 - BURNER SERVICE KIT 165/205 - KIT INCLUDES:

POS	PN	DESCRIPTION	QTY PER	165	205
1	BD769578001V	55 kW BURNER	1	●	●
2	BD711408002V	BD,GASKET, BURNER	1	●	●
3	BD710115601V	BD,VENTURI GASKET, MIXER TO AIR/GAS DUCT	1	●	●
-	240011401	INST,GSKT,BNR,MAC/H,DCC/B	1	●	●

SIGHT GLASS, FLAME SENSOR, AND IGNITION ELECTRODE REPLACEMENT KITS

125/150/165/205



KIT 550003157 - SIGHT GLASS REPLACEMENT KIT

PN	DESCRIPTION	QTY PER	125	165	150	205
BD710112202V	SIGHT GLASS GASKET	1	●	●	●	●
BD710112101V	SIGHT GLASS	1	●	●	●	●
240011403	SIGHT GLASS REPLACEMENT KIT INSTRUCTIONS	1	●	●	●	●

KIT 550003152 -IGNITION ELECTRODE REPLACEMENT KIT

PN	DESCRIPTION	QTY PER	125	165	150	205
BD711010701V	BD,ELECTRODE IGNITION	1	●	●	●	●
BD710185302V	BD,GSKT,IGN,PEN	1	●	●	●	●
240011398	INST,RPLMT,ELCTD,MAC/H,DCC/B	1	●	●	●	●

KIT 550003151 - FLAME SENSOR REPLACEMENT KIT

PN	DESCRIPTION	QTY PER	125	165	150	205
BD711010801V	BD,FLAME SENSOR,B&P	1	●	●	●	●
BD710185201V	BD,FLAME SENSING ELECTRIC GASKET	1	●	●	●	●
240011397	INST,RPLMT,,FLAME SNSR,MAC/H,DCC/B	1	●	●	●	●

FAN, AIR MIXER, BLOWER REPLACEMENT KITS

125/150

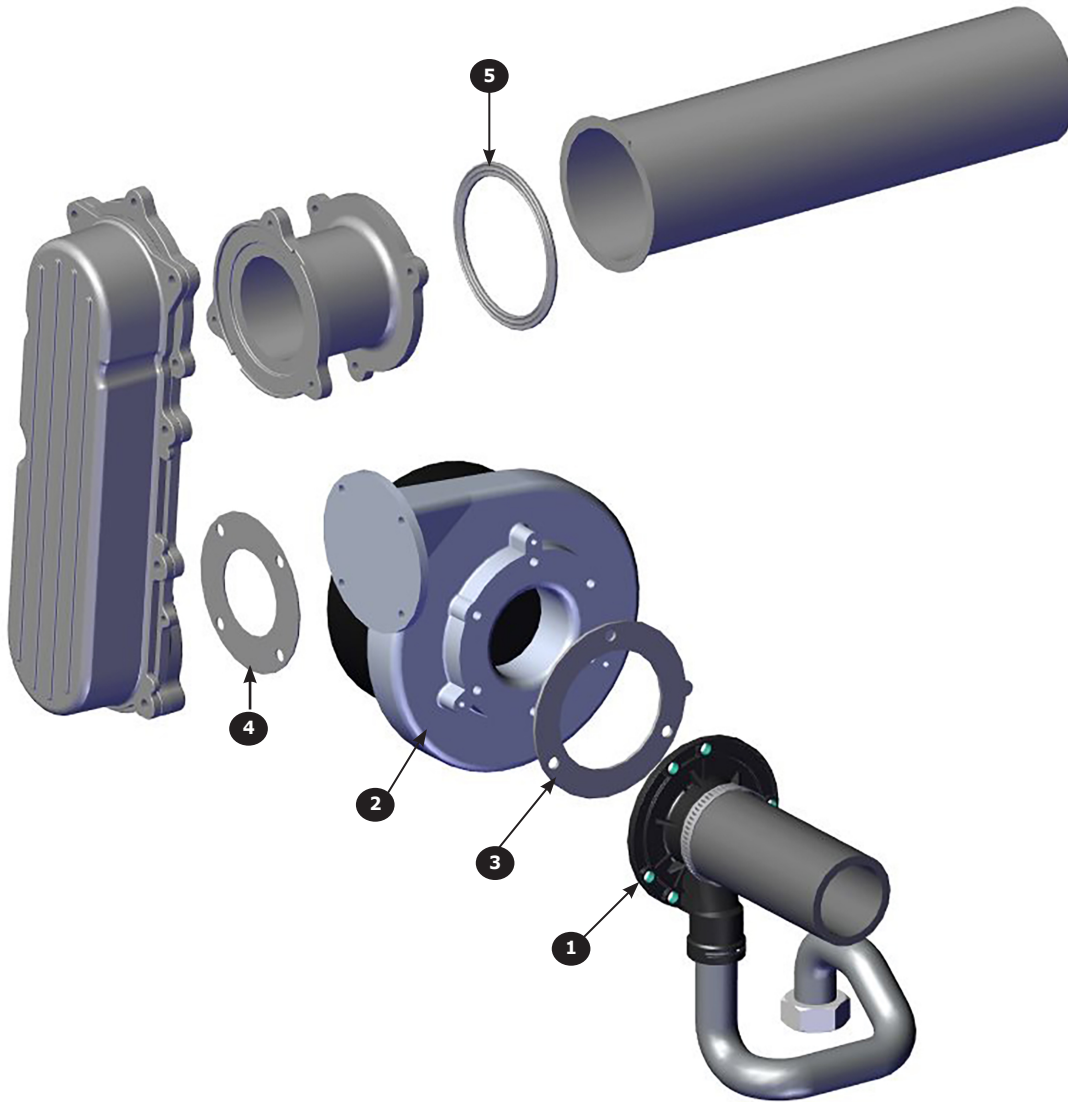


KIT 550003154 - REPLACEMENT, FAN MIXER 125/150 - KIT INCLUDES:

POS	PN	DESCRIPTION	QTY PER	125	150
1	BD710458103V	MIXER PL30 C1500107 (GAS TRAIN)	1	●	●
2	BD711073902V	FAN NRG 118 115W 120V (INDUCER)	1	●	●
3	BD710042401V	BD, VENTURI,GASKET MIXER TO FAN	1	●	●
4	BD710115601V	BD,GASKET, MIXER TO AIR/GAS DUCT	1	●	●
N/A	BD710011401V	BD,CLIP - FIXING GAS PIPE	1	●	●
N/A	BD710061402V	BD,O-RING 18X3 NBR	2	●	●
5	BD711408002V	BD,GASKET, BURNER	1	●	●
N/A	240011400	INST,RPLMT,FAN MXR, KIT INSTRUCTINS	1	●	●

FAN, AIR MIXER, BLOWER REPLACEMENT KITS

205/165

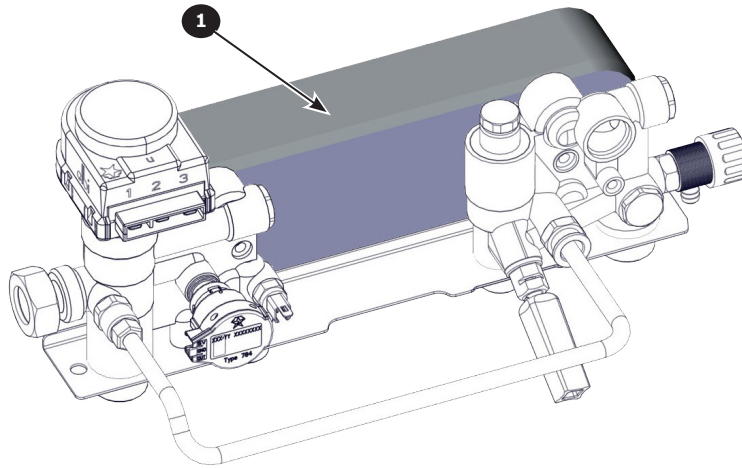


KIT 550003454 - REPLACEMENT, FAN MIXER 165/205 - KIT INCLUDES:

POS	PN	DESCRIPTION	QTY PER	165	205
1	BD769578101V	MIXER 165/205 B&P	1	●	●
2	BD769577901V	FAN NRG 118 115W 120V	1	●	●
3	BD710042401V	BD,VENTURI GASKET MIXER TO FAN	1	●	●
4	BD710115602V	BD,GASKET, MIXER TO AIR/GAS DUCT	1	●	●
NA	BD710011401V	BD,CLIP - FIXING GAS PIPE	1	●	●
NA	BD710061402V	BD,O-RING 18X3 NBR	2	●	●
5	BD711408002V	BD,GASKET, BURNER	1	●	●
NA	240011400	INST,RPLMT,FAN MXR, KIT INSTRUCTIONS	1	●	●

DHW PLATE REPLACEMENT KIT WITH GASKETS

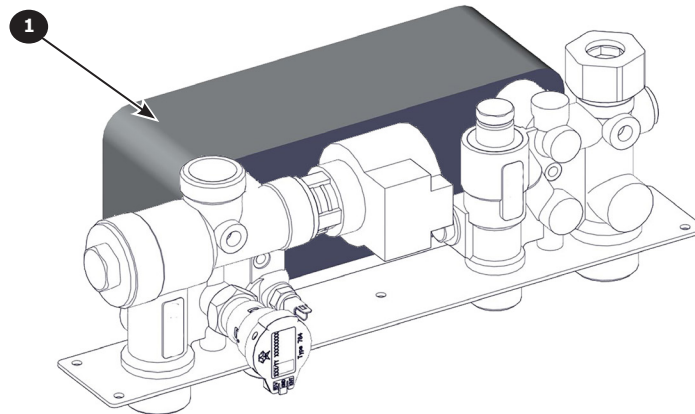
150 ONLY



KIT 550003153 - DHW PLATE REPLACEMENT KIT WITH GASKETS - 150

POS	PN	DESCRIPTION	QTY PER	150
1	BD711612501V	DHW PLATE EXCHANGER 20 PLATES	1	●
NOT SHOWN	BD722275601V	DHW PLATE EXCHANGER O-RING	4	●
-	240011399	INST,RPLMT,DHW PLT,MAC/H,DCC/B	1	●

205 ONLY

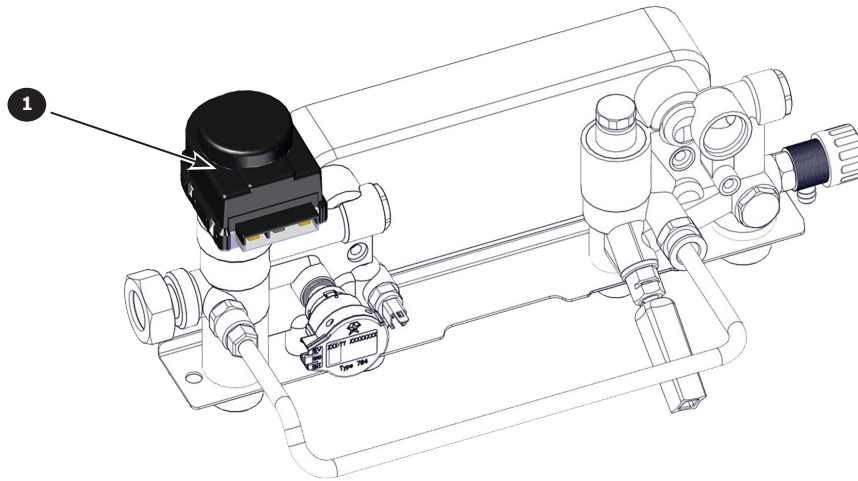


KIT 550003455 - DHW PLATE REPLACEMENT KIT WITH GASKETS - 205

POS	PN	DESCRIPTION	QTY PER	205
1	240012161	FLAT PLATE HEAT EXCHANGER : PTP EXCHANGER SEPE6TH 26P	1	●
NOT SHOWN	BD722275601V	BD,O-RING 18.3X3.6 R15	4	●
-	240011399	INST,RPLMT,DHW PLT	1	●

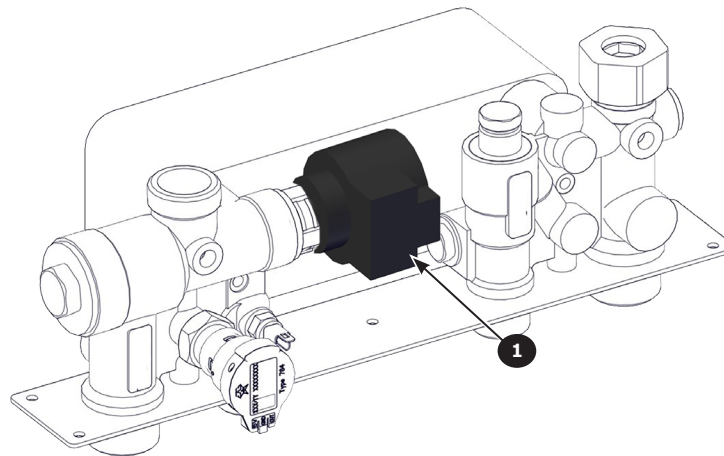
3 WAY VALVE MOTOR REPLACEMENT - KITS

125/150



KIT 550003166 - 3 WAY VALVE MOTOR REPLACEMENT - 125/150 KIT INCLUDES:					
POS	PN	DESCRIPTION	QTY PER	125	150
1	BD000005696391	3 WAY VALVE MOTOR 120V	1	●	●
NOT SHOWN	BD710189001V	GASKET, 7X26X2	1	●	●
-	240011406	INSTRUCTIONS	1	●	●

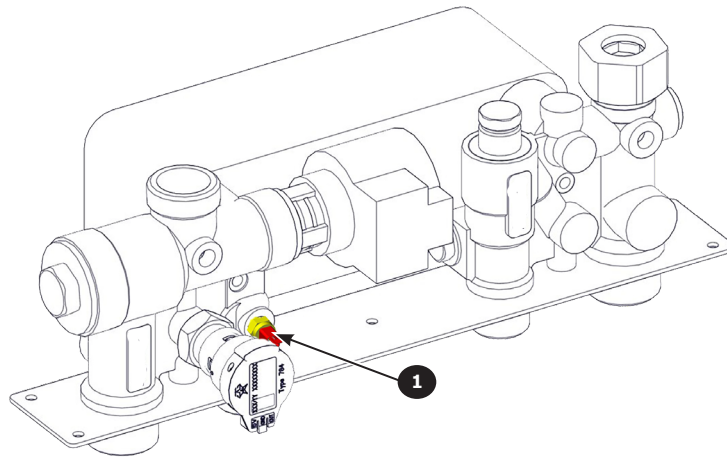
205 ONLY



KIT 550003460- 3 WAY VALVE MOTOR REPLACEMENT - 205 KIT INCLUDES:				
POS	PN	DESCRIPTION	QTY PER	205
1	240012162	BD, 3WV MOTOR 110V 205	1	●
NOT SHOWN	240012163	CLIP FOR MOTOR	1	●
-	240012116	INSTRUCTIONS	1	●

SENSOR REPLACEMENT - KITS

150/205



KIT 55003159 - DHW TEMPERATURE SENSOR REPLACEMENT KIT 150/205 - INCLUDES:					
POS	PN	DESCRIPTION	QTY PER	150	205
1	BD710831501V	BD,NTC SENSOR HONEYWELL-S011026	1	●	●
NOT SHOWN	BD710189001V	BD,GASKET 9,7X15X2	1	●	●
-	240011405	INST,SNSR,DHW TEMP	1	●	●

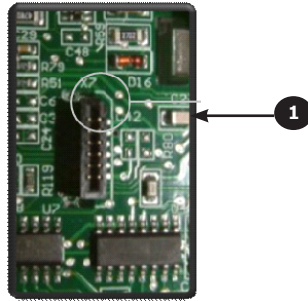
125/165



KIT 55003189 - DHW SENSOR REPLACEMENT KIT FOR INDIRECT STORAGE TANK 125/165 - INCLUDES:					
POS	PN	DESCRIPTION	QTY PER	125	165
1	KHG714076810	BD,KIT,DHW,SENSOR	1	●	●
NOT SHOWN	240008013	CLIP,MTG,HW,32002656	1	●	●
NOT SHOWN	240010821	THERMOPASTE,1OZ	1	●	●
N/A	240011464	INST,KIT,DHW,SNSR,TANK	1	●	●

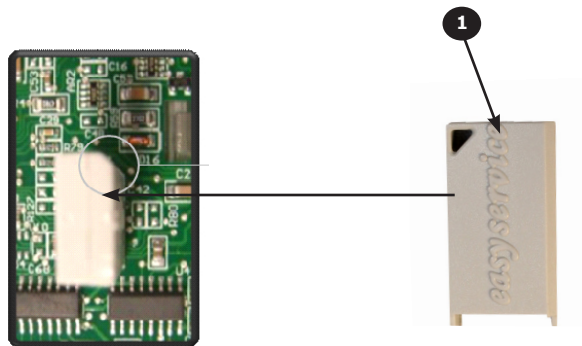
PCB /CONTROL REPLACEMENT KIT

125/150/165/205



KIT 550003502 - PCB /CONTROL REPLACEMENT KIT W/O KEY - INCLUDES:							
POS	PN	DESCRIPTION	QTY PER	125	165	150	205
1	BD770219401	BD,PCB,B&P,HAGC03-BX04,W/O SVC KEY	1	●	●	●	●
-	240012196	INST,KIT,CTRL RPLMT,MAC/H,DCC/B 125-205	1	●	●	●	●

125/150/165/205



KIT 550003191 - SERVICE KEY REPLACEMENT KIT - INCLUDES:							
POS	PN	DESCRIPTION	QTY PER	125	165	150	205
1	BD710707701N	BD,SERVICE KEY	1	●	●	●	●
-	240012196	INST,KIT,CTRL RPLMT	1	●	●	●	●

FLUE GASKET CONNECTION REPLACEMENT - KITS

125/150

KIT 550003158 - FLUE GASKET CONNECTION REPLACEMENT 125/150 - KIT INCLUDES:				
PN	DESCRIPTION	QTY PER	125	150
BD710107601V	GASKET ADAPTER (FLUE)	1	●	●
BD710784801V	SUCTION CAP GASKET	1	●	●
BD710107401V	WASHER DIA 60 OUTLET BEND (FLUE ADAPTER)	1	●	●
BD710107101V	WASHER DIA 100 OUTER ADAPTER SEAL (FLUE ADAPTER)	1	●	●
240011404	INSTRUCTIONS - 240011404	1	●	●

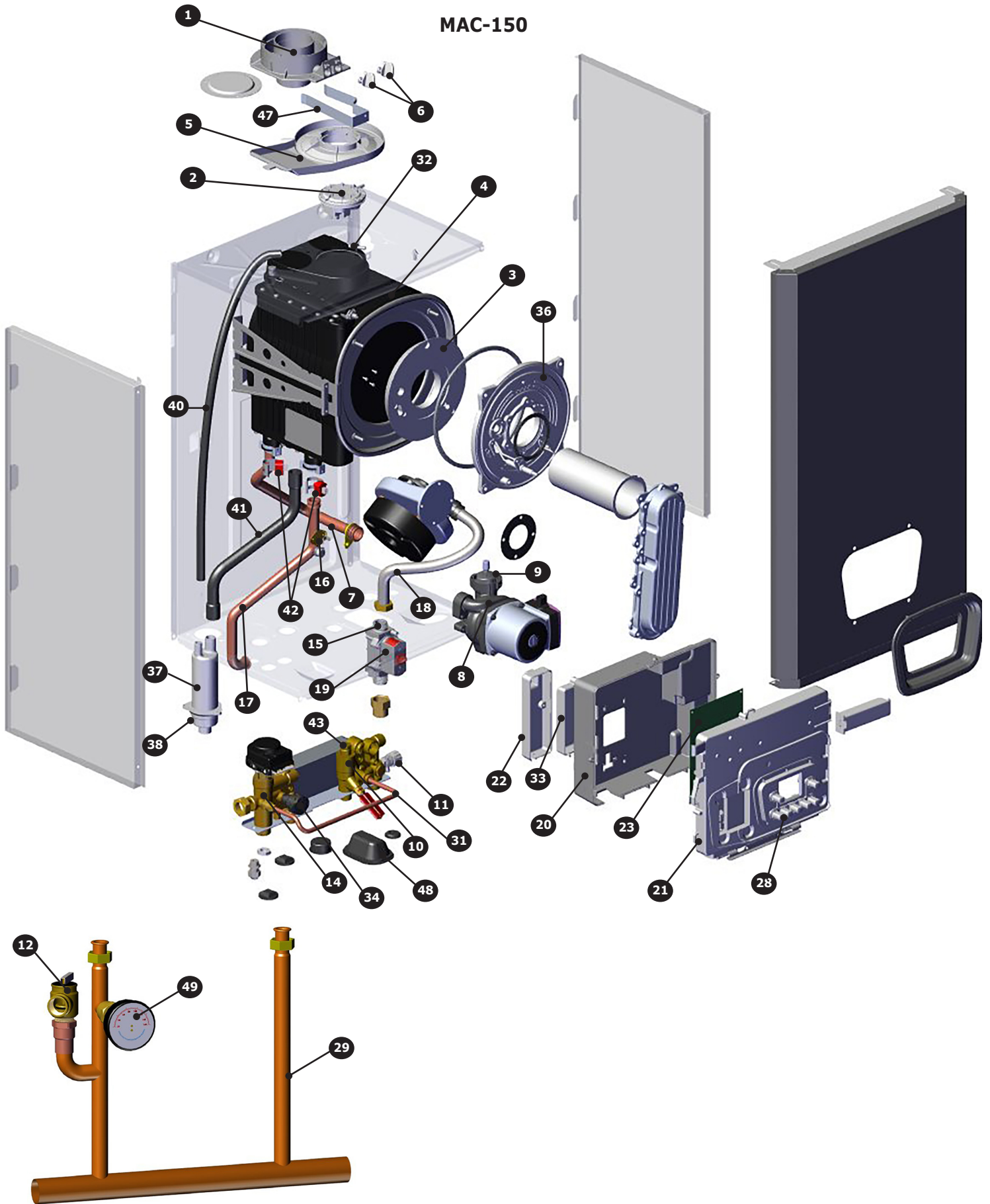
165/205

KIT 550003264 - FLUE GASKET CONNECTION REPLACEMENT 165/205 - KIT INCLUDES:				
PN	DESCRIPTION	QTY PER	165	205
BD000005670522	GASKET ADAPTER (FLUE)	1	●	●
BD000005410712	SEAL, FLUE ADAPTER	1	●	●
BD710300601V	COVER PLATE, TWIN PIPE	1	●	●
BD710784801V	GASKET, COVER PLATE, TWIN PIPE	1	●	●
BD710107801V	O-RING, 8.73X1.78	1	●	●
240011727	INSTRUCTIONS	1	●	●

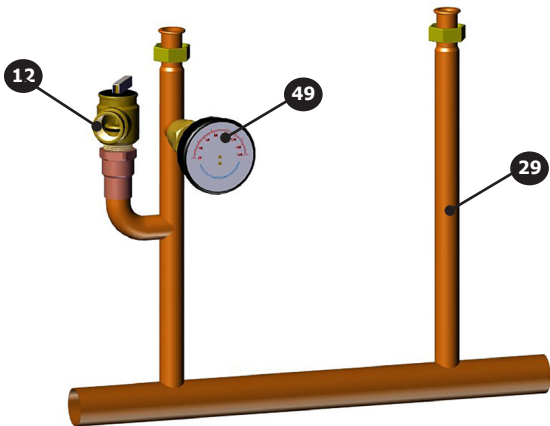
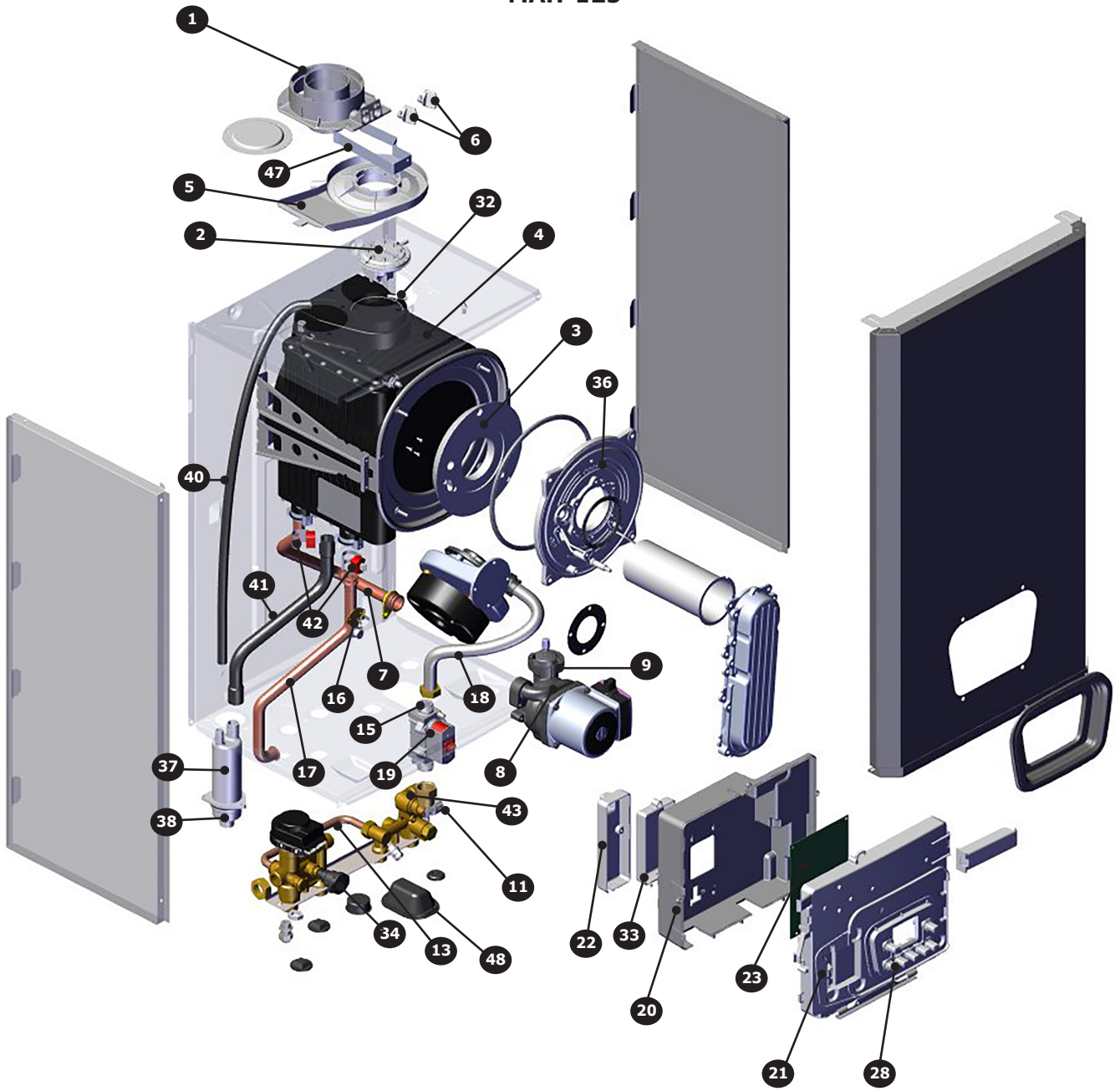
SEALS, CLIPS, ETC. - KIT

KIT 550003150 - SEALS, CLIPS, ETC - KIT INLCUDES:						
PN	DESCRIPTION	QTY PER	125	165	150	205
BD721623501V	BD, FIXING CLIP - HEX PIPES	2	●	●	●	●
BD710963001V	BD, O-RING 21,5X3 EP7	2	●	●	●	●
BD722275601V	BD, O-RING 18.3X3.6 R15-	4			●	
BD710188902V	BD, FIXING CLIP	2	●		●	●
BD710189001V	BD, GASKET 9,7X15X2	1			●	●
BD710113601V	BD, GASKET G1/2 AFM	2	●		●	
BD710113001V	BD, GASKET G3/4 17X24X2	2	●	●	●	●
BD710188501V	BD, FIXING CLIP - 3WAY VALVE MOTOR	1	●		●	
BD710108401V	BD, ANELLO OR 11,91X2,62	3	●			
BD000005411331	BD, O-RING 20,24X2,62	4	●	●	●	●
BD710188701V	BD, FIXING SPRING	1			●	
BD710107801V	BD, O-RING 8,73X1,78	5	●		●	
BD710039501V	BD, HYDRAULIC GROUP GASKET	5	●		●	●
BD710110901V	BD, O-RING 40,95X2,62	1	●		●	
BD000005402141	BD, PUMP GASKET G1 1/2, 380	2		●		●
BD000005405001	BD, GASKET G1 22X30,3X2 WRC, 240/380	1		●		●
BD710011401V	BD, CLIP - FIXING GAS PIPE	1	●	●	●	●
BD710045702V	BD, OR, 9,19X2,62, EDPM	1		●		
BD710061402V	BD, O-RING 18X3 NBR	1	●	●	●	●
BD710110601V	BD, CLIP D10, BITRON, 240/380	1		●		
BD710111001V	BD, SPRING CLIP BIFM182	2	●	●	●	●
BD710151101V	BD, SPRING CLIP BIFM252	2	●	●	●	●
BD710397801V	BD, GSKT, G1", 31X42, FOAM, 240/380	2		●		●

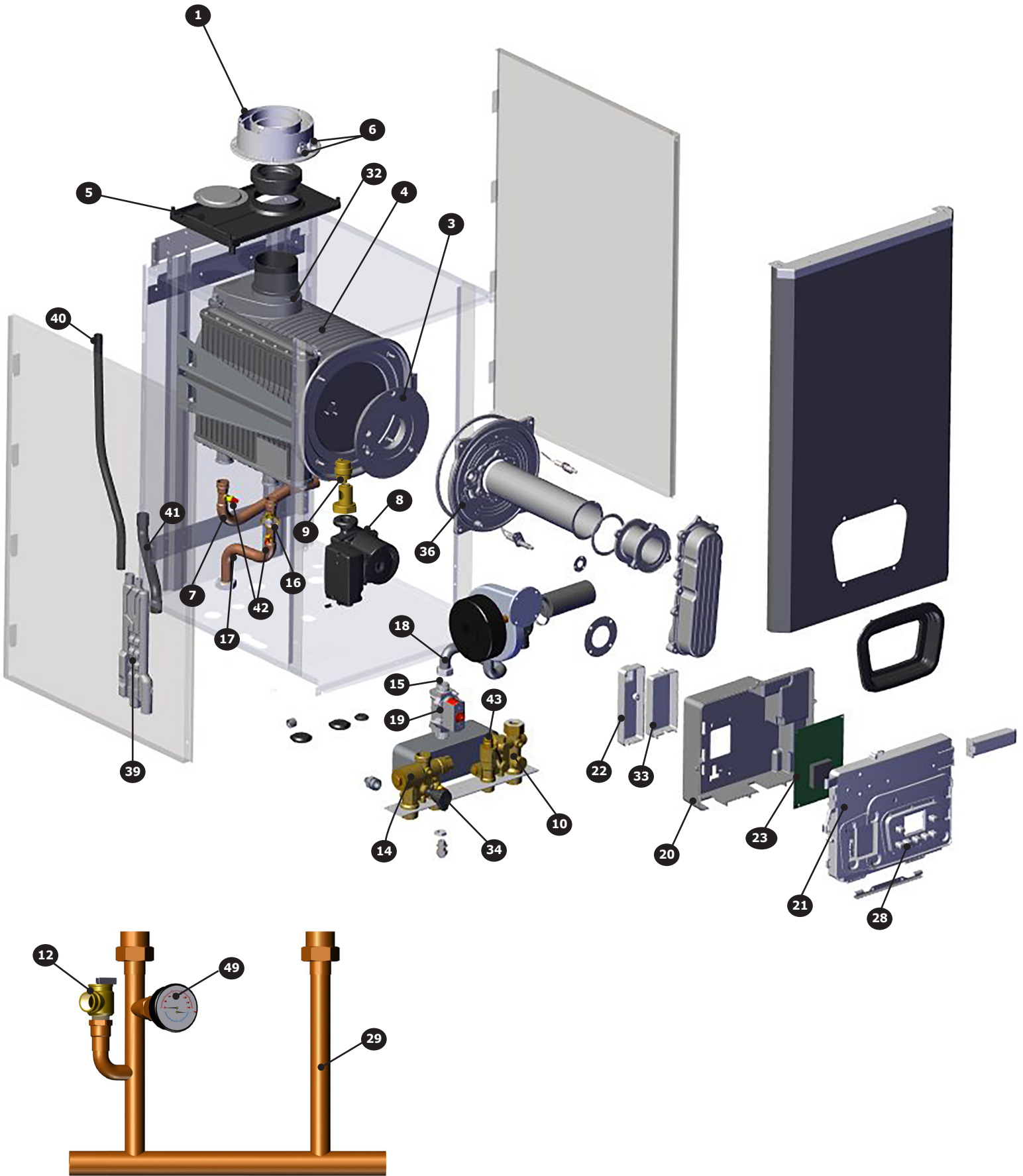
MAC-150



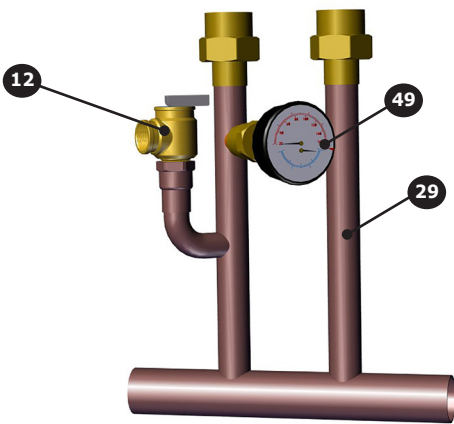
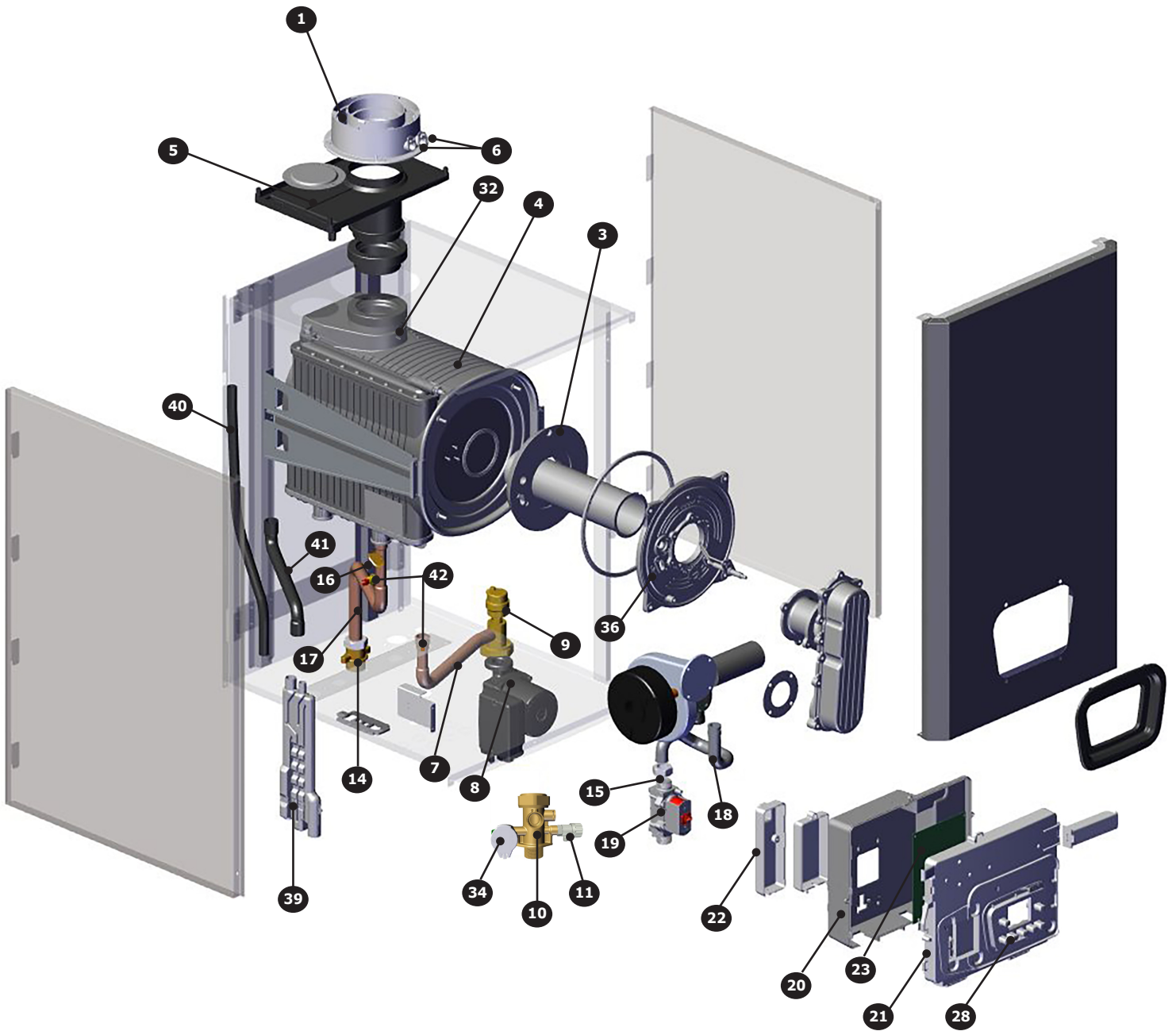
MAH-125



MAC-205



MAH-165



PARTS AND ACCESSORIES

ITEM	PN	DESCRIPTION	MAC-150	MAH-125	MAC-205	MAH-165
1	BD711085101V	FLUE CONNECTION 125/150	●	●		
	BD000005670522	FLUE CONNECTION 165/205			●	●
2	BD000005679722	FLUE PRESSURE SWITCH 400-350PA	●	●		
3	BD710111601V	INSULATION PANEL (HEAT EXCHANGER)	●	●	●	●
4	BD711447001V	HEAT EXCHANGER 125/150	●	●		
	BD767801501V	HEAT EXCHANGER 165/205			●	●
5	BD710282301V	CONDENSING WATER COLLECTOR 125/150	●	●		
	BD767553501V	CONDENSING WATER COLLECTOR 165/205			●	●
6	BD710100701V	TEST POINT PLUG	●	●	●	●
7	BD711425802V	PUMP/EXCHANGER PIPE ASSEMBLY 125/150	●	●		
	BD766949001V	PUMP/EXCHANGER PIPE ASSEMBLY 205			●	
	BD767944701V	PUMP/EXCHANGER PIPE ASSEMBLY 165				●
8	BD710786502V	PUMP UPR 120V 125/150	●	●		
	BD722354801V	PUMP UPR 120V 165/205			●	●
9	BD710493600V	AIR VENT PUMP GR. 125/150	●	●		
	BD710715302V	AIR VENT PUMP 165/205			●	●
10	BD711607101V	RETURN BLOCK ASSY 150	●			
	BD710735501V	RETURN BLOCK ASSY 125		●		
	240012164	RETURN BLOCK ASSY 205			●	
	BD711238101V	RETURN BLOCK ASSY 165				●
11	BD710188101V	120074 DRAINING TAP	●	●	●	●
12	BD000005669851	SAFETY VALVE ASSY 30 PSI 125/150	●	●	●	●
13	BD710267001V	BY-PASS PIPE ASSY 125		●		
14	BD711605801V	SUPPLY BLOCK / 3 WAY VALVE ASSY 150	●			
	BD710266901V	SUPPLY BLOCK / 3 WAY VALVE ASSY 125		●		
	240012165	SUPPLY BLOCK / 3 WAY VALVE ASSY 205			●	
	BD711237001V	SUPPLY BLOCK ASSY 165 (NPL,G1"X1"NPT)				●
15	BD710458501V	GAS NOZZLE 5,8 MM ORIFICE 125/150	●	●		
	BD768414801V	GAS NOZZLE 9MM ORIFICE 165/205			●	●
16	BD710626001V	TEMP SENSOR / HIGH LIMIT	●	●	●	●
17	BD711425902V	PIPE HTEX SUPPLY 125/150	●	●		
	BD766948901V	PIPE HTEX SUPPLY 205			●	
	BD767944601V	PIPE HTEX SUPPLY 165				●
18	BD711007101V	FLEXIBLE GAS PIPE 125/150	●	●		
	BD769059001V	FLEXIBLE GAS PIPE 165/205			●	●
19	BD710089606V	GAS VALVE B&P SGV100	●	●	●	●
20	BD711075102V	CONTROL PANEL COVER	●	●	●	●
21	BD711074801V	CONTROL PANEL	●	●	●	●
22	BD711075601V	TERMINAL BLOCK COVER V0	●	●	●	●
23	550003502	KIT, RPLMT, CTRL	●	●	●	●
*	BD000005688441	TERMINAL BLOCK	●	●	●	●
*	BD5405340V	FUSE HOLDER	●	●	●	●
*	BD8422730V	FUSE 3,15A 250V	●	●	●	●
*	BD711366901V	120V INTERFACE BOARD WITH CONNECTOR	●	●	●	●
28	BD710126301V	7 PUSH BUTTON PANEL B&P WASHER	●	●	●	●

* NOT SHOWN

PARTS AND ACCESSORIES

ITEM	PN	DESCRIPTION	MAC-150	MAH-125	MAC-205	MAH-165
29	550003365	MANIFOLD CONNECTION ASSEMBLY 150	●			
	550003366	MANIFOLD CONNECTION ASSEMBLY 125		●		
	240011866	MANIFOLD CONNECTION ASSEMBLY 205			●	
	240011771	MANIFOLD CONNECTION ASSEMBLY 165				●
*	BD000005643331	GAS SHUTOFF VALVE	●	●	●	●
31	BD711052301V	FILLING PIPE	●			
32	BD711180100	NTC SENSOR FLUE	●	●	●	●
33	BD711075801V	COVER CLIP-IN	●	●	●	●
34	BD710109101V	PRESSURE SENSOR WATER	●	●	●	●
*	BD710127501V	CABLE DETECTION ELECTRODE 125/150	●	●		
	BD710993801V	CABLE DETECTION ELECTRODE 165/205			●	●
36	BD711407900	HEAT EXCHANGER ALUMINUM DOOR 125/150	●	●		
	BD766847401V	HEAT EXCHANGER ALUMINUM DOOR 165/205			●	●
37	BD710016703V	SIPHON BODY (CONDENSATE COLLECTION)	●	●		
38	BD710522301V	PLUG SIPHON (CONDENSATE COLLECTION)	●	●		
39	BD765674901V	CONDENSATE TRAP 165/205			●	●
40	BD710066102V	HOSE EXCHANGER / COND TRAP 125/150	●	●		
	BD766859301V	HOSE EXCHANGER / COND TRAP 165/205			●	●
41	BD710066001V	HOSE CONDENSATE TRAY TO TRAP 125/150	●	●		
	BD766859801V	HOSE CONDENSATE TRAY TO TRAP 165/205			●	●
42	BD722143801V	TEMPERATURE SENSOR - CLIP ON 125/150	●	●		
	BD710831501V	TEMPERATURE SENSOR - WELL MOUNT 165/205			●	●
43	BD710189401V	FLOW DETECTOR	●	●	●	
*	BD710117601V	TERMINAL BLOCK (6-POSITION)	●	●		
*	BD710014803V	WALL MOUNT BRACKET 125/150	●	●		
	109009874	WALL MOUNT BRACKET 165/205			●	●
47	BD711085501V	REDUCTION FLUE SUPPORT	●	●		
48	BD710156201V	SEAL FILLING TAP	●			
	BD721583002V	SEAL FILLING TAP		●		
*	BD710117901V	TERMINAL BLOCK 10 PIN	●	●	●	●
49	1260006SP	PRESSURE/TEMPERATURE GAUGE	●	●	●	●
*	240011392	PLUG, 49MM	●	●		
*	BD000008417651	POWER CABLE UL-CSA	●	●	●	●
*	BD71010311V	CABLE GROUND FRAME	●	●	●	●
*	BD71026700V	CABLE TERM. BLOCK ROOM THERMOST	●	●	●	●
*	BD710992901V	REMOTE CONTROL CABLE	●	●	●	●
*	BD710993001V	GAS VALVE POWER CABLE	●	●	●	●
*	BD710993101V	LOW TENSION CABLE	●		●	
*	BD710993201V	CABLE PWM FAN	●	●	●	●
*	BD710993301V	CABLE 3WV/PUMP/FAN	●	●	●	●
*	BD710993405V	PCB POWER CABLE	●	●	●	●
*	BD710993502V	CABLE EXTERNAL BOILER	●		●	
*	BD710993702V	CABLE SAFETY THERMOSTAT	●	●	●	●
*	BD710993901V	LOW TENSION CABLE		●		●
*	BD710994002V	CABLE EXTERNAL SENSOR/BOILER		●		●
*	BD711065801V	CABLE NTC FLUE	●	●	●	●
*	BD711250601V	IGNITION CABLE 125/150	●	●		
*	BD710126203V	IGNITION CABLE 165/205			●	●



2201 DWYER AVENUE, UTICA, NY 13501
TEL. 800 253 7900
WWW.ECRINTERNATIONAL.COM

ALL SPECIFICATIONS SUBJECT TO CHANGE WITHOUT NOTICE.
©2018 ECR INTERNATIONAL, INC.