

IMPORTANT: THIS MANUAL MUST BE KEPT NEAR THE FURNACE FOR FUTURE REFERENCE!!

NORDYNE INC.

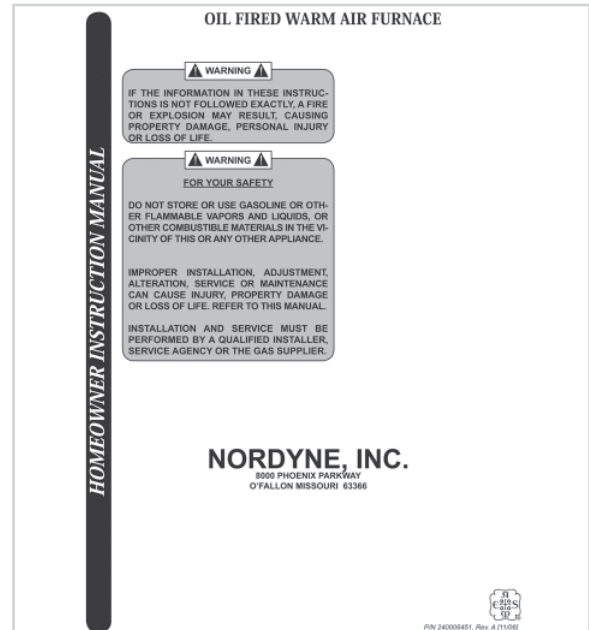
Oil Fired Warm Air Furnaces

544104B O4HD-091A-12-FB (Up-Flow Model)

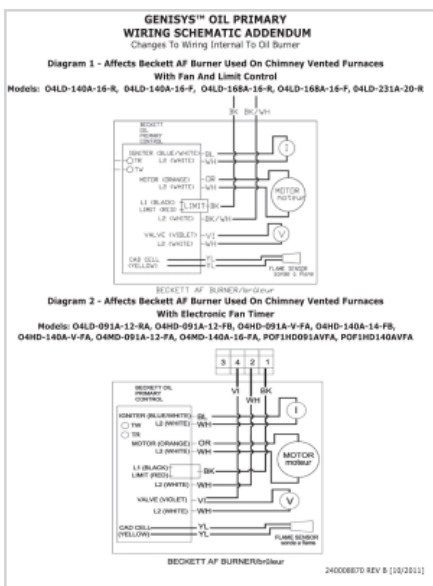
555646A O4HD-091A-V-FA (Up-Flow Model with ECM)



Installation, Operation & Maintenance Manual 151B0801 REV B [10/2009]



User's Information Manual 240006451 REV A [11/2006]



Wiring Addendum 240008870 REV B [10/2011]