

IMPORTANT: THIS MANUAL MUST BE KEPT NEAR THE FURNACE FOR FUTURE REFERENCE!!

NORDYNE INC.
Oil Fired Warm Air Furnaces

544100 O4LD-140A-16-R Lowboy

544101 O4LD-140A-16-F Lowboy

544102 O4LD-168A-16-R-Lowboy

544103 O4LD-168A-16-F-Lowboy


Installation, Operation and Maintenance Manual

O4LD Oil-Fired Lowboy Warm Air Furnaces

FOR YOUR SAFETY:
 Do not store or use gasoline or other flammable liquids or vapors in the vicinity of this, or any other appliance.

ALL INSTALLATIONS MUST MEET ALL LOCAL, PROVINCIAL/STATE, AND FEDERAL CODES WHICH MAY DIFFER FROM THIS MANUAL

Read this complete manual before beginning installation. These instructions must be kept with the furnace for future reference.



1

Installation, Operation & Maintenance Manual 152B0801 REV A

OIL FIRED WARM AIR FURNACE

WARNING
 IF THE INFORMATION IN THESE INSTRUCTIONS IS NOT FOLLOWED EXACTLY, A FIRE OR EXPLOSION MAY RESULT, CAUSING PROPERTY DAMAGE, PERSONAL INJURY OR LOSS OF LIFE.


WARNING
FOR YOUR SAFETY
 DO NOT STORE OR USE GASOLINE OR OTHER FLAMMABLE VAPORS AND LIQUIDS, OR OTHER COMBUSTIBLE MATERIALS IN THE VICINITY OF THIS OR ANY OTHER APPLIANCE.

IMPROPER INSTALLATION, ADJUSTMENT, ALTERATION, SERVICE OR MAINTENANCE CAN CAUSE INJURY, PROPERTY DAMAGE OR LOSS OF LIFE. REFER TO THIS MANUAL.

INSTALLATION AND SERVICE MUST BE PERFORMED BY A QUALIFIED INSTALLER, SERVICE AGENCY OR THE GAS SUPPLIER.

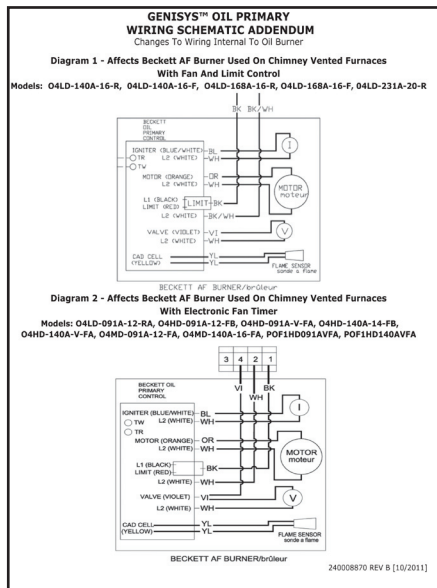
NORDYNE, INC.
 3889 PHOENIX PARKWAY
 O'FALLON MISSOURI 63366

HOMEOWNER INSTRUCTION MANUAL

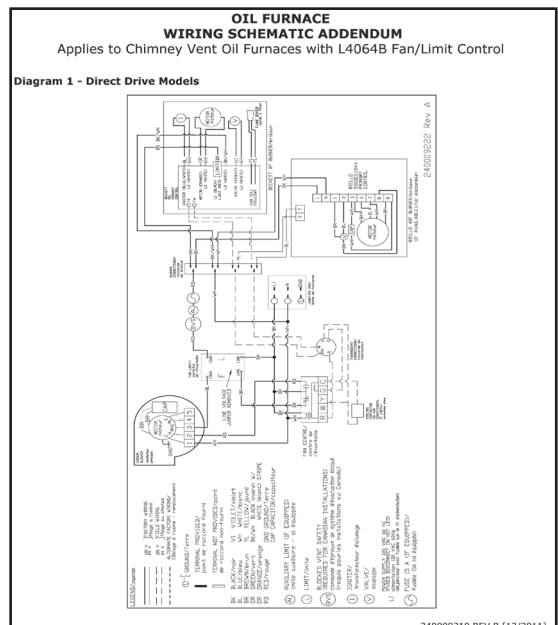


FIN 240006451 Rev A [11/06]

User's Information Manual 240006451 REV A [11/2006]



Wiring Addendum 240008870 REV B [10/2011]



Wiring Schematic Addendum 240009210 REV B [12/2011]

Envelope Assy Master 29616 REV D, [02/2012]

