

IMPORTANT: THIS MANUAL MUST BE KEPT NEAR THE FURNACE FOR FUTURE REFERENCE!!

NORDYNE INC.

Oil Fired Warm Air Furnaces

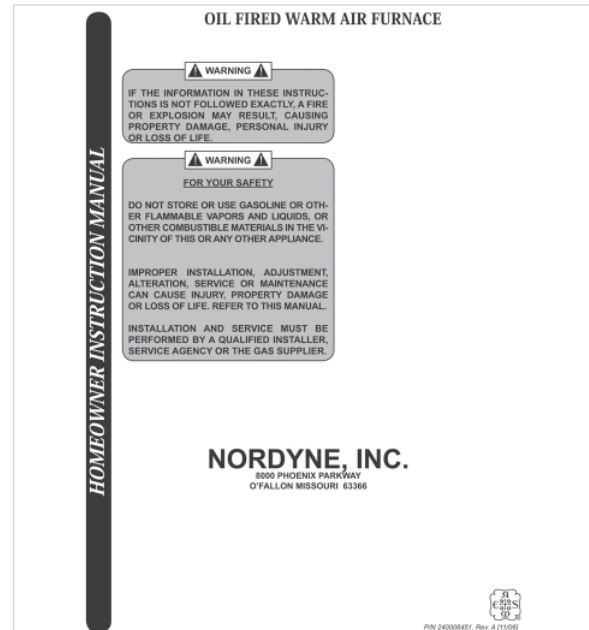
544106A 04MD-091A-12-FA

544107A 04MD-140A-16-FA

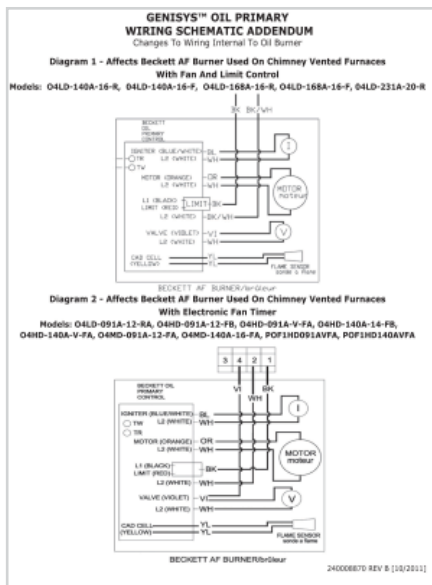
(Down-Flow or Horizontal Model)



Installation, Operation & Maintenance Manual 30661 REV A



User's Information Manual 240006451 REV A [11/2006]



Wiring Addendum 240008870 REV B [10/2011]

Envelope Assy Master 30356 REV C, [10/2011]