

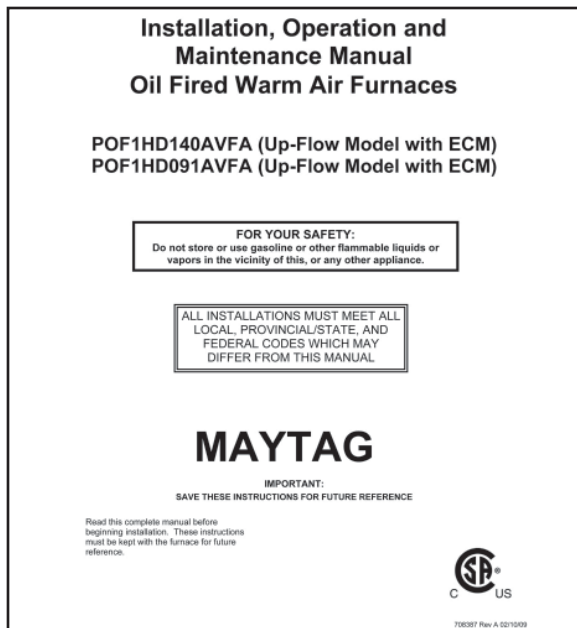
IMPORTANT: THIS MANUAL MUST BE KEPT NEAR THE FURNACE FOR FUTURE REFERENCE!!

MAYTAG

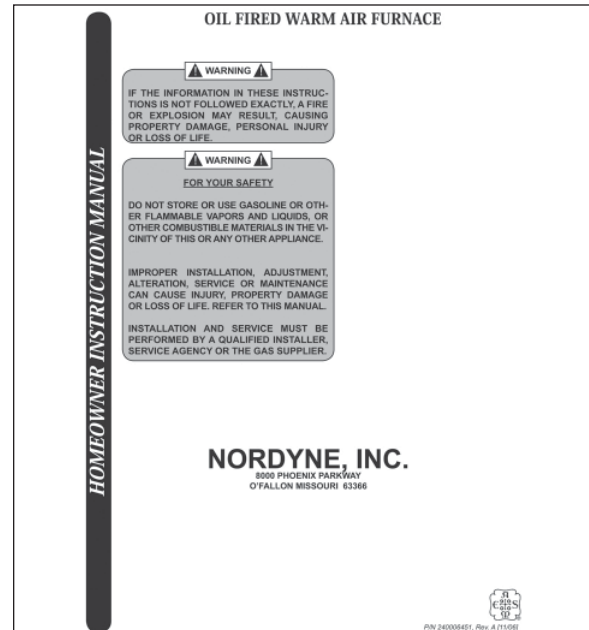
Oil Fired Warm Air Furnaces

555648A POF1HD140AVFA (Up-Flow Model with ECM)

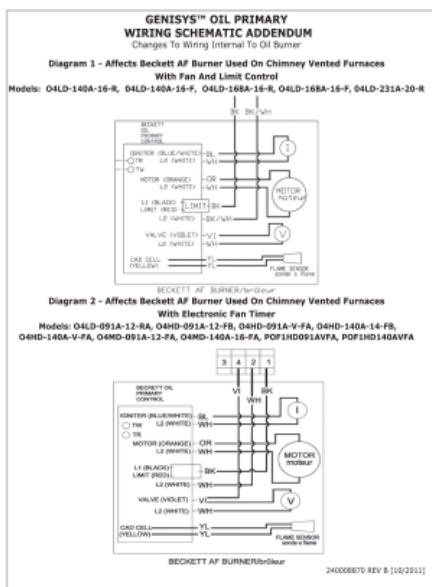
555649A POF1HD091AVFA (Up-Flow Model with ECM)



Installation, Operation & Maintenance Manual 708387 REV A [02/2009]



User's Information Manual 240006451 REV A [11/2006]



Wiring Addendum 240008870 REV B [10/2011]