



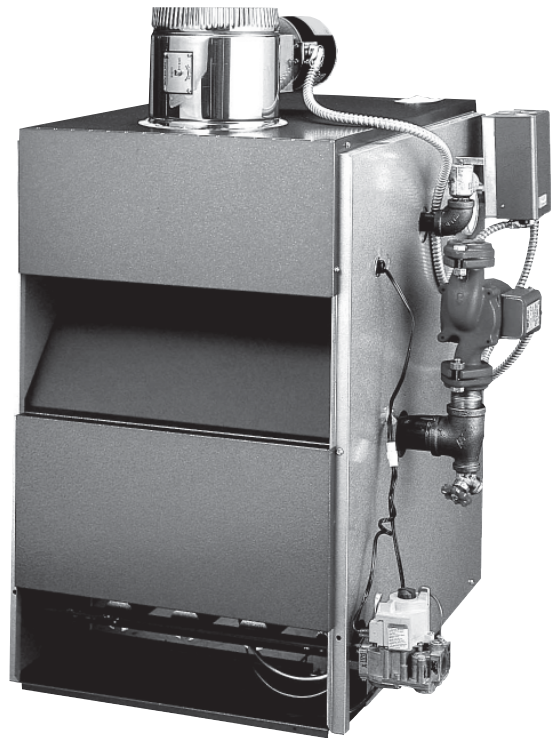
MODEL NUMBERS:

OMGB50   OMGB75   OMGB100  
OMGB125   OMGB150   OMGB175  
OMGB200   OMGB250   OMGB300

# OMGB SERIES

Cast Iron Gas Fired Boilers  
For Forced Hot Water

## INSTALLATION, OPERATION & MAINTENANCE MANUAL



An ISO 9001-2008 Certified Company


**ECR International**  
2201 Dwyer Avenue •  
Utica • New York • 13501 • USA  
[www.ecrinternational.com](http://www.ecrinternational.com)


P/N 37615101, Rev. D [08/2011]


Ratings & Data - Natural Gas & Propane Gas ..... 3  
 Dimensions..... 4  
 Installation Procedure ..... 5  
 Ventilation & Combustion Air ..... 6  
 Connecting Supply and Return Piping ..... 7  
 Connecting Supply and Return Piping ..... 8  
 Vent Installation ..... 12  
 Vent System Modification..... 12  
 Vent Damper Installation & Instructions..... 13  
 Connecting Gas Service..... 14  
 Electrical Section ..... 15  
 Wiring Diagram - 24V Standing Pilot ..... 16  
 Wiring Diagram - Intermittent Ignition ..... 17  
 Lighting Instructions ..... 18  
 Normal Sequence of Operation ..... 20  
 General Instructions ..... 20  
 Checking Gas Input Rate To Boiler ..... 22  
 Replacement Parts - Base ..... 23

**Safety Symbols & Warnings**

The following defined symbols are used throughout this manual to notify the reader of potential hazards of varying risk levels.

 **DANGER**  
 Indicates a hazardous situation which, if not avoided, WILL result in death or serious injury.

 **WARNING**  
 Indicates a hazardous situation which, if not avoided, could result in death or serious injury.

 **CAUTION**  
 Indicates a hazardous situation which, if not avoided, may result in minor or moderate injury.

**NOTICE**  
 Indicates information which should be followed to ensure proper installation and operation.


**KEEP THIS MANUAL NEAR BOILER  
 RETAIN FOR FUTURE REFERENCE**

**IMPORTANT: Read the following instructions COMPLETELY before installing!!**

**WARNING**

Keep boiler area clear and free from combustible materials, gasoline and other flammable vapors and liquids.

DO NOT obstruct air openings to the boiler room.


 Modification, substitution or elimination of factory equipped, supplied or specified components may result in property damage, personal injury or the loss of life.

TO THE OWNER - Installation and service of this boiler must be performed by a qualified installer.


TO THE INSTALLER - Leave all instructions with the boiler for future reference.

When this product is installed in the Commonwealth of Massachusetts the installation must be performed by a Licensed Plumber or Licensed Gas Fitter.

**WARNING**

 All installations of boilers and venting should be done only by a qualified expert and in accordance with the appropriate manual. Installing or venting a boiler or any other gas appliance with improper methods or materials may result in serious injury or death due to fire or to asphyxiation from poisonous gases such as carbon monoxide which is odorless and invisible.



 <b>Table 1 - Ratings and Capacities</b>							
Boiler No.	(1) Input Mbh	(1) Heating Capacity Mbh	(2) ** Net I=B=R Rating Water Mbh	No. of Burners	(3) Recommended Air Cushion Tank	Water Content (Gals.)	High Altitude Input
50	50	42	37	1	15	2.4	45,000
75	75	63	55	2	15	4.0	67,500
100	100	83	72	2	30	4.0	90,000
125	125	104	90	3	30	5.6	112,500
150	150	124	108	3	30	5.6	135,000
175	175	143	124	4	30	7.2	157,000
200	200	165	143	4	30	7.2	180,000
250	250	205	178	5	30	8.8	225,000
300	299	243	214	6	60	10.4	270,000

**EXPLANATORY NOTES**

- All boilers are design certified for installation on noncombustible floor.
- For installation on combustible floors use combustible floor kit.
- Recommended chimney height 20 feet. In special cases where conditions permit, chimney height may be reduced to 10 feet. Refer to the latest revision of NFGC part 11.
- Electric service to be 120 Volts, 15 Amps, 60 Hz.
- The MEA number for the this boiler is 19-79-E.

(1) Input rating for sea level to 2,000 ft. (610m) above sea level.

- United States, over 2000 ft (610m) above sea level. Reduce input rate 4% for every 1000 ft (304m) above sea level.
- Canada, 2000 ft (610m) to 4500 (1350m) above sea level. Reduce input per table.
- Canada, over 4500 ft (1350m) above sea level. Contact Provincial authority having jurisdiction.

(2) Net I=B=R Water Ratings shown based on piping and pickup allowance of 1.15. Consult manufacturer before selecting boiler for installations having unusual piping and pickup requirements, such as intermittent system operation, extensive piping systems, etc.

For forced hot water systems where boiler and all piping within area to be heated, boiler may be selected on basis of its heating capacity.

(3) Tank sized for non-ferrous baseboard or radiant panel systems. Increase size for cast iron baseboard and radiation.

**STANDARD EQUIPMENT:** Boiler Jacket, Cast Iron Boiler Battery, High Limit Control, Vent Damper Relay, Theraltimeter Gauge, Circulator With Return Piping To Boiler, Main Gas Burners, Combination 24 Volt Gas Control (Includes Automatic Gas Valve, Gas Pressure Regulator, Automatic Pilot, Safety Shutoff, Pilot Flow Adjustment, Pilot Filter), A.S.M.E. Relief Valve, Drain Valve, Spill Switch, Rollout Switch, Automatic Vent Damper. Not Shown Are: Wiring Harness, Thermocouple, Non-linting Safety Pilot.

**OPTIONAL EQUIPMENT:** Intermittent Electric Ignition Pilot System.

## DIMENSIONS

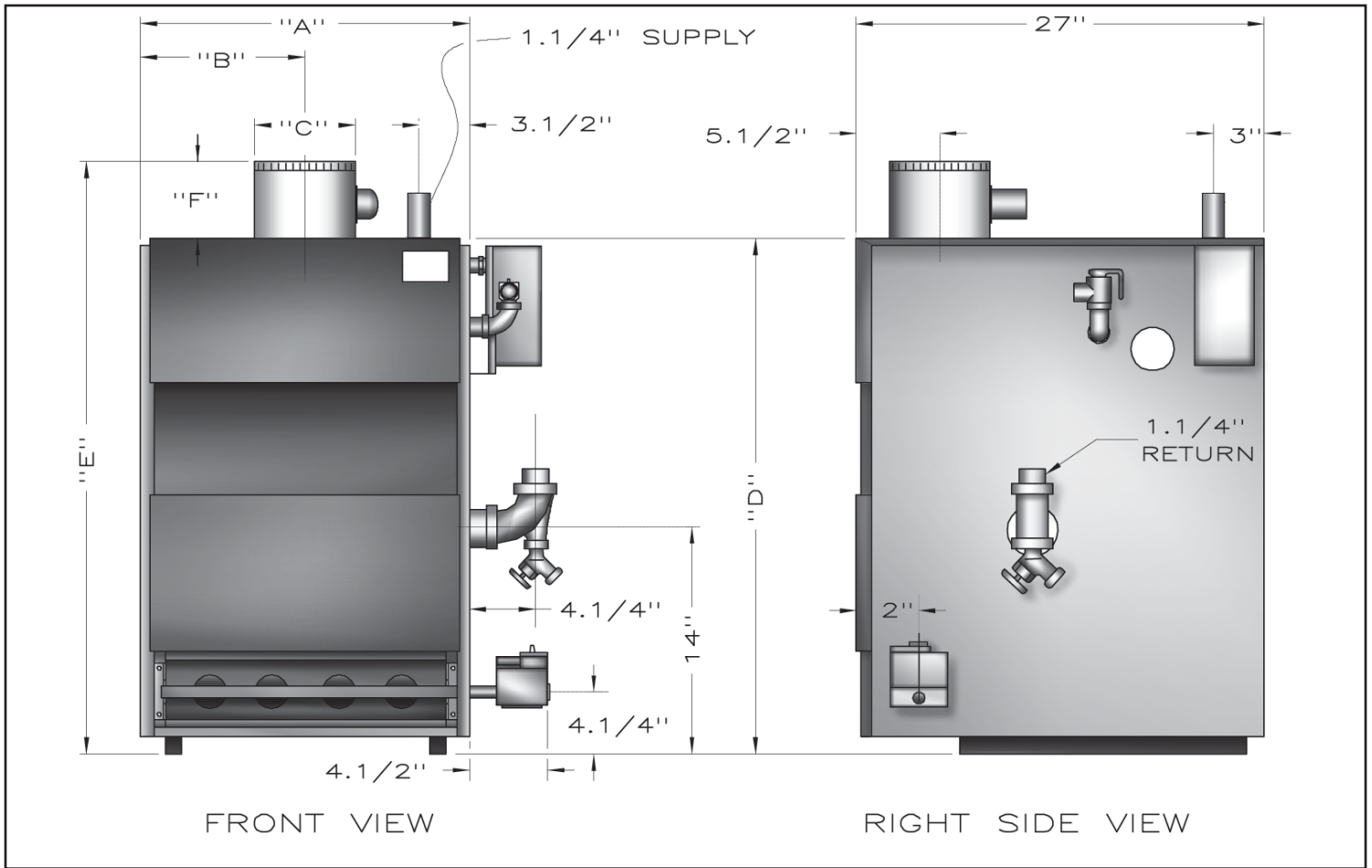


Table 2 - Dimensions								
Boiler No.	Natural Gas Inlet*	Dimensions						Pump size Supply & Return Tappings
		A	B	C	D	E	F	
50	1/2"	11 1/8"	5 1/2"	4"	30 3/4"	36 1/4"	6"	1 1/4"
75	1/2"	15	7 1/2"	5"	30 3/4"	37 3/4"	6"	1 1/4"
100	1/2"	15	7 1/2"	6"	30 3/4"	37 1/4"	6 1/2"	1 1/4"
125	1/2"	18 7/8"	9 1/2"	6"	30 3/4"	37 1/4"	6 1/2"	1 1/4"
150	1/2"	18 7/8"	9 1/2"	7"	30 3/4"	37 3/4"	7"	1 1/4"
175	1/2"	22 3/4"	11 1/2"	7"	30 3/4"	38 3/4"	7"	1 1/4"
200	1/2"	22 3/4"	11 1/2"	8"	30 3/4"	38 3/4"	8"	1 1/4"
250	3/4"	26 13/16"	13 1/4"	8"	30 3/4"	40 3/4"	8"	1 1/4"
300	3/4"	30 1/2"	15 1/4"	9"	30 3/4"	42 3/4"	10"	1 1/4"

\* Propane gas inlet, all units, 1/2"

**WARNING**



Improper installation, adjustment, alteration, service or maintenance can cause injury or property damage.

1. Installation must conform to the requirements of the authority having jurisdiction or, in the absence of such requirements, to the National Fuel Gas Code, ANSI Z223.1/NFPA 54, and/or Natural Gas and Propane Installation Code, CAN/CSA B149.1.
2. Where required by the authority having jurisdiction, the installation must conform to the Standard for Controls and Safety Devices for Automatically fired Boilers, ANSI/ASME CSD-1.
3. This boiler series is classified as a Category I. Vent installation shall be in accordance with "Venting of Equipment," of the National Fuel Gas Code, ANSI Z223.1/NFPA 54, or "Venting Systems and Air Supply for Appliances," of the Natural Gas and Propane Installation Code, CAN/CSA B149.1, or applicable provisions of the local building codes.
4. This boiler has met safe lighting and other performance criteria with gas manifold and control assembly on the boiler per the latest revision of ANSI Z21.13/CGA 4.9.
5. The boiler shall be installed such that the gas ignition system components are protected from water (dripping, spraying, rain, etc.) during appliance operation and service, (circulator replacement, condensate trap, control replacement, etc.).
6. Locate boiler on level, solid base as near the chimney as possible and centrally located with respect to the heat distribution system as practical.
7. Allow 24 inches (610mm) at front and right side for servicing and cleaning.
8. When installed in utility room, door should be wide enough to allow largest boiler part to enter, or to permit replacement of another appliance such as water heater.

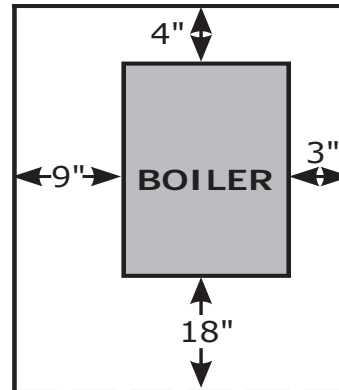
9. **FOR INSTALLATION ON NON-COMBUSTIBLE FLOORS ONLY** - For installation on combustible flooring special base must be used. (See Replacement Parts Section.) **Boiler can not be installed on carpeting.** Minimum clearances to combustible construction are:

TOP .....	18 IN. (457mm)
FRONT .....	ALCOVE *
FLUE CONNECTOR .....	6 IN. (152mm)
REAR .....	4 IN. (102mm)
CONTROL SIDE .....	9 IN. (229mm)
OTHER SIDE .....	3 IN. (76mm)
HOT WATER PIPING .....	1/2 IN. (13mm)

NOTE: Greater clearances for access should supersede fire protection clearances.

\* Definition of Alcove is three sided space with no wall in front of boiler. ANSI standard for alcove is 18 inches from front of appliance to leading edge of side walls as shown below.

**Minimum Clearances to Combustible Construction** *(as seen from above)*



## VENTILATION & COMBUSTION AIR

Provide combustion air and ventilation air in accordance with the section "Air for Combustion and Ventilation," of the National Fuel Gas Code, ANSI Z223.1/NFPA 54, or Sections 8.2, 8.3 or 8.4 of Natural Gas and Propane Installation Code, CAN/CSA B149.1, or applicable provisions of local building codes.

Provide make-up air where exhaust fans, clothes dryers, and kitchen ventilation equipment interfere with proper operation.

National Fuel Gas Code recognizes several methods of obtaining adequate ventilation and combustion air. Requirements of the authority having jurisdiction may override these methods.

- Engineered Installations. Must be approved by authority having jurisdictions.
- Mechanical Air Supply. Provide minimum of 0.35 cfm per Mbh for all appliances located within space. Additional requirements where exhaust fans installed. Interlock each appliance to mechanical air supply system to prevent main burner operation when mechanical air supply system not operating.
- All Indoor Air. Calculate minimum volume for all appliances in space. Use a different method if minimum volume not available.
  - Standard Method. Cannot be used if known air infiltration rate is less than 0.40 air changes per hour. See Table 3 for space with boiler only. Use equation for multiple appliances.  

$$\text{Volume} \geq 50 \text{ ft}^3 \times \text{Total Input [Mbh]}$$
  - Known Air Infiltration Rate. See Table 3 for space with boiler only. Use equation for multiple appliances. Do not use an air infiltration rate (ACH) greater than 0.60.  

$$\text{Volume} \geq 21 \text{ ft}^3/\text{ACH} \times \text{Total Input [Mbh]}$$
  - Refer to National Fuel Gas Code for opening requirements between connection indoor spaces.

- All Outdoor Air. Provide permanent opening(s) communicating directly or by ducts with outdoors.
  - Two Permanent Opening Method. Provide opening commencing within 12 inches of top and second opening commencing within 12 inches of bottom enclosure.
    - Direct communication with outdoors or communicating through vertical ducts. Provide minimum free area of 1 in<sup>2</sup> per 4 Mbh of total input rating of all appliances in enclosure.
    - Communicating through horizontal ducts. Provide minimum free area of 1 in<sup>2</sup> per 2 Mbh of total input rating of all appliances in enclosure.
  - One Permanent Opening Method. Provide opening commencing within 12 inches of top of enclosure. Provide minimum clearance of 1 inch on sides and back and 6 inches on front of boiler (does not supersede clearance to combustible materials).
  - Combination Indoor and Outdoor Air. Refer to National Fuel Gas Code for additional requirements for louvers, grilles, screens and air ducts.
- Combination Indoor and Outdoor Air. Refer to National Fuel Gas Code for application information.

National Gas and Propane Installation Code Requires providing air supply in accordance with:

- Section 8.2 and 8.3 when combination of appliances has a total input of up to and including 400 Mbh (120 kW).
- Section 8.4 when combination of appliances has total input exceeding 400 Mbh (120 kW).
- Refer to Natural Gas and Propane Installation Code for specific air supply requirements for enclosure or structure where boiler is installed, including air supply openings and ducts.

**Table 3**

Input Mbh	Standard Method	Known Air Infiltration Rate Method (Air Changes Per Hour)					
		0.1	0.2	0.3	0.4	0.5	0.6
50	2500	10500	5250	3500	2625	2100	1750
75	3750	15750	7875	5250	3938	3150	2625
100	5000	21000	10500	7000	5250	4200	3500
125	6250	26250	13125	8750	6563	5250	4375
150	7500	31500	15750	10500	7875	6300	5250
175	8750	36750	18375	12250	9188	7350	6125
200	10000	42000	21000	14000	10500	8400	7000
250	12500	52500	26250	17500	13125	10500	8750
300	15000	63000	31500	21000	15750	12600	10500

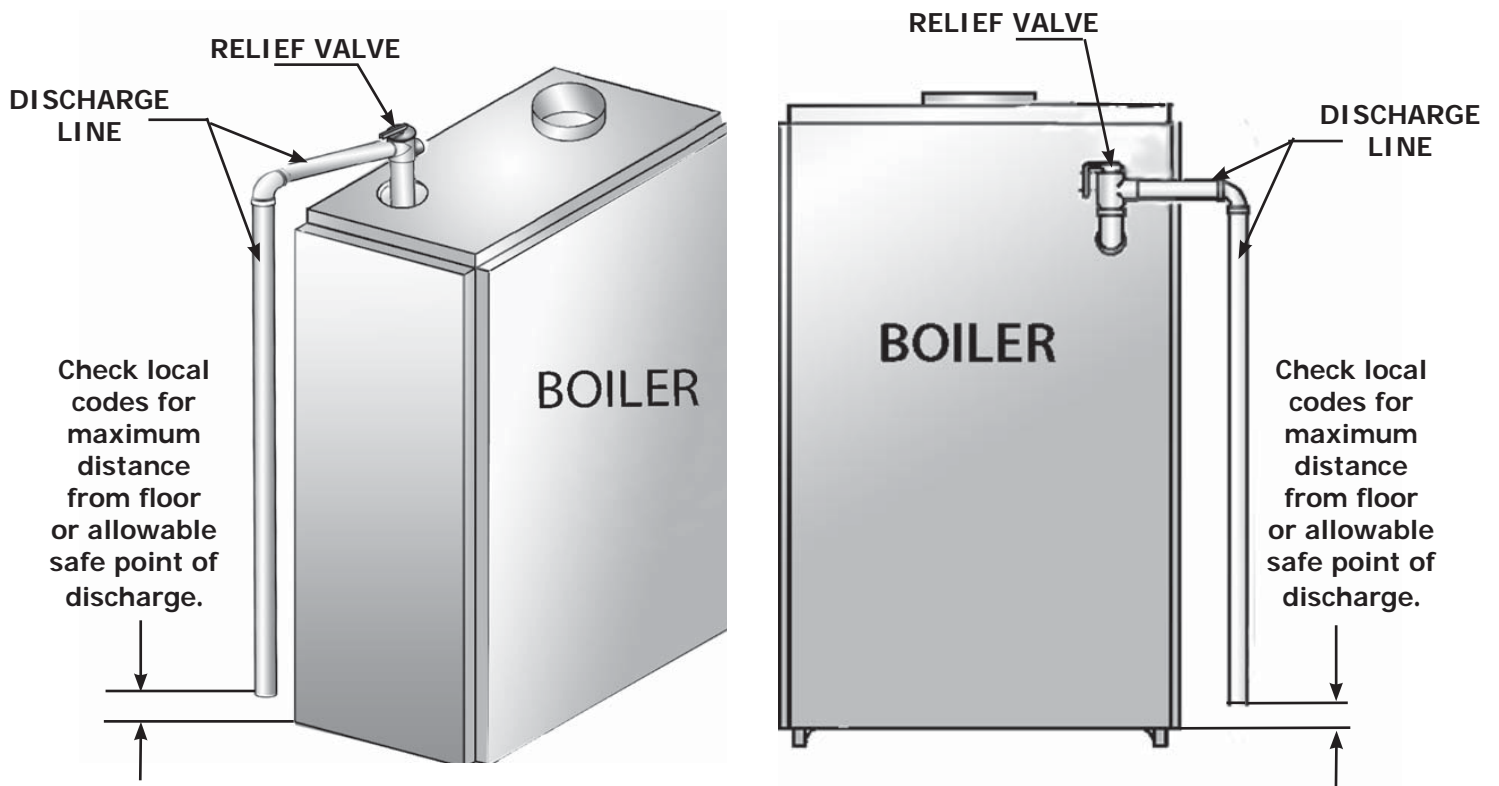
**WARNING**

To avoid burns, scalding, or water damage due to discharge of steam and/or hot water during operation, a discharge line shall be installed to relief valve outlet connection.

Discharge line shall:

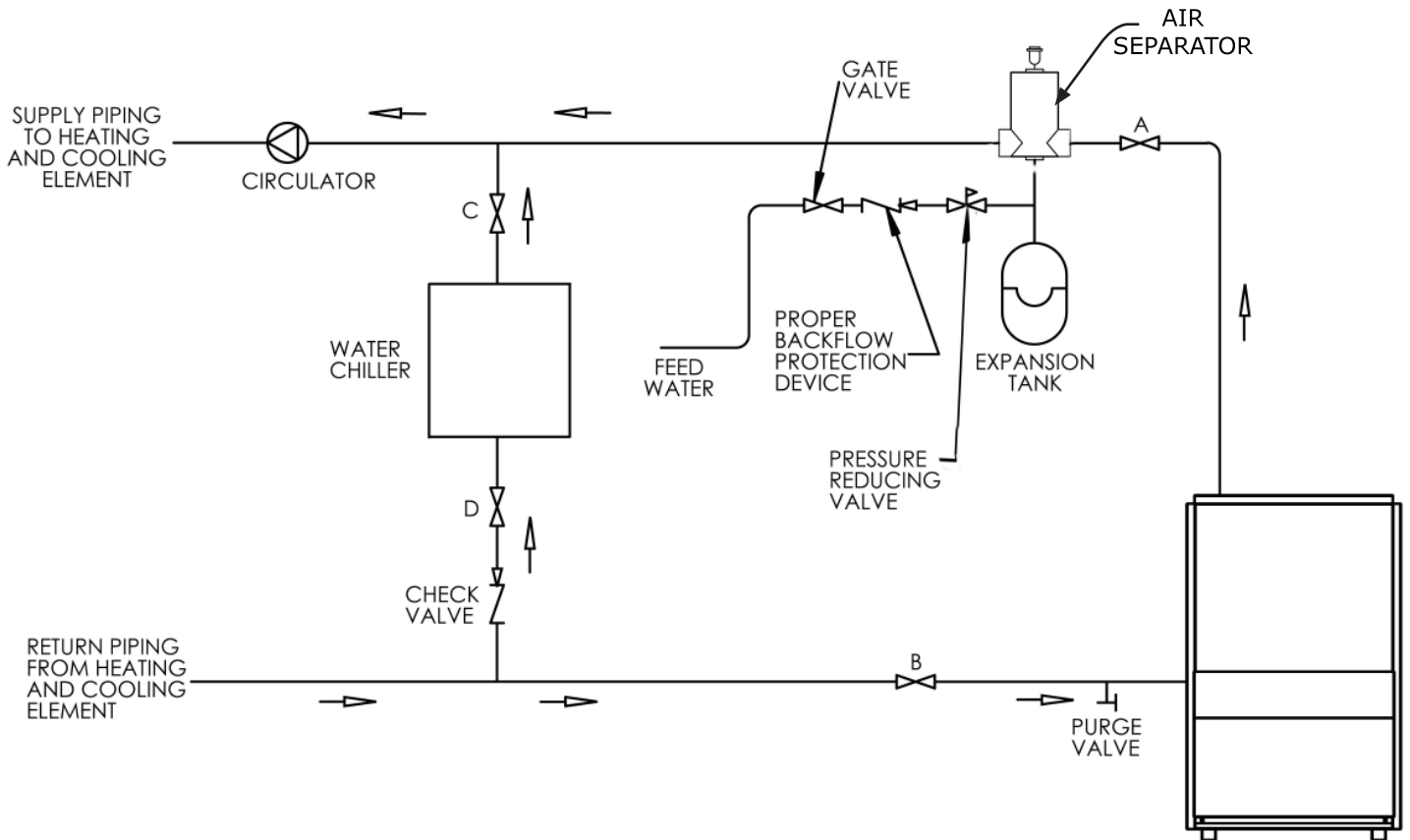
- connect to relief valve outlet and piped down to safe point of disposal. Check local codes for maximum distance from floor or allowable safe point of discharge.
- be of pipe size equal to or greater than that of the relief valve outlet over the entire length of discharge line;
- have no intervening shutoff valve between safety relief valve and discharge to atmosphere (do not plug or place any obstruction in discharge line).
- terminate freely to atmosphere where any discharge will be clearly visible and at no risk of freezing;
- allow complete drainage of the valve and the discharge line;
- be independently supported and securely anchored to avoid applied stress on the relief valve;
- be as short and straight as possible;
- terminate with plain end (not threaded);
- be constructed of material suitable for exposure to temperatures of 375° F; or greater.

Refer to local codes and appropriate ASME Boiler and Pressure Vessel Code for additional installation requirements.



**IMPORTANT:** Circulators in the following illustrations are mounted on the system supply side, but mounting on the system return side is also acceptable practice.

Figure 5 - Circulators Mounted on System Supply



1. The boiler, when used in connection with a refrigeration system, must be installed so the chilled medium is piped in parallel with the boiler with appropriate valves to prevent the chilled medium from entering the boiler. See Figure 5.
2. The boiler piping system of a hot water boiler connected to heating coils located in air handling units where they may be exposed to refrigerated air circulation must be equipped with flow control valves or other automatic means to prevent gravity circulation of the boiler water during the cooling cycle.
3. Hot water boilers installed above radiation level or as required by authority having jurisdiction must be provided with a low water cut-off device.
4. When a boiler is connected to a heating system that utilizes multiple zoned circulators, each circulator must be supplied with a flow control valve to prevent gravity circulation.
5. Hot water boilers and system must be filled with water and maintained to a minimum pressure of 12 psi.
6. Bypass piping is an option which gives the ability to adjust the supply boiler water temperature to fit the system or the condition of the installation. This method of piping, however, is not typically required for base-board heating systems. Typical installations where bypass piping is used are as follows:
  - A. This method is used to protect boilers from condensation forming due to low temperature return water. Generally noticed in large converted gravity systems or other large water volume systems. **Figure 6 & 7.**
  - B. These methods are used to protect systems using radiant panels and the material they are encased in from high temperature supply water from the boiler and protect the boiler from condensation.

**NOTE#1:** When using bypass piping, adjust valves V1 & V2 until desired system temperature is obtained.

**NOTE#2:** Bypass loop must be same size piping as the supply and return piping.



Figure 6 - Bypass Piping Automatic Mixing Valve

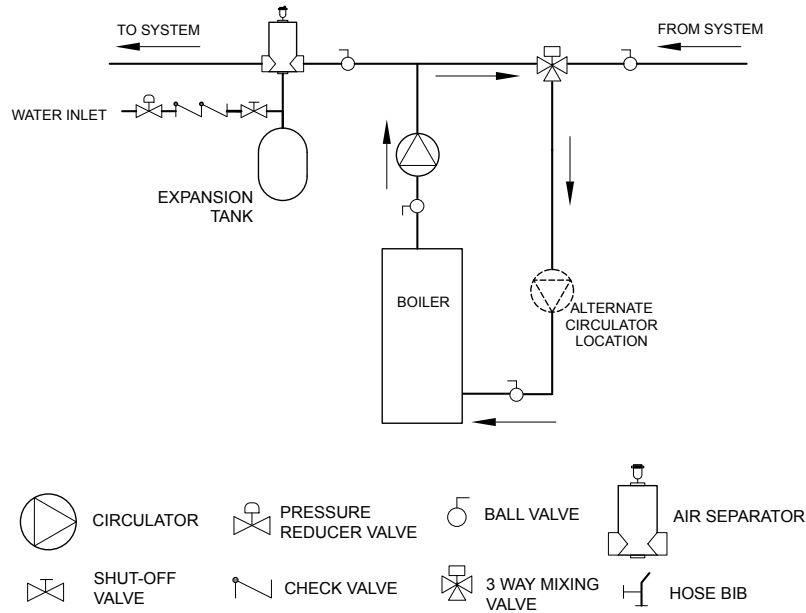
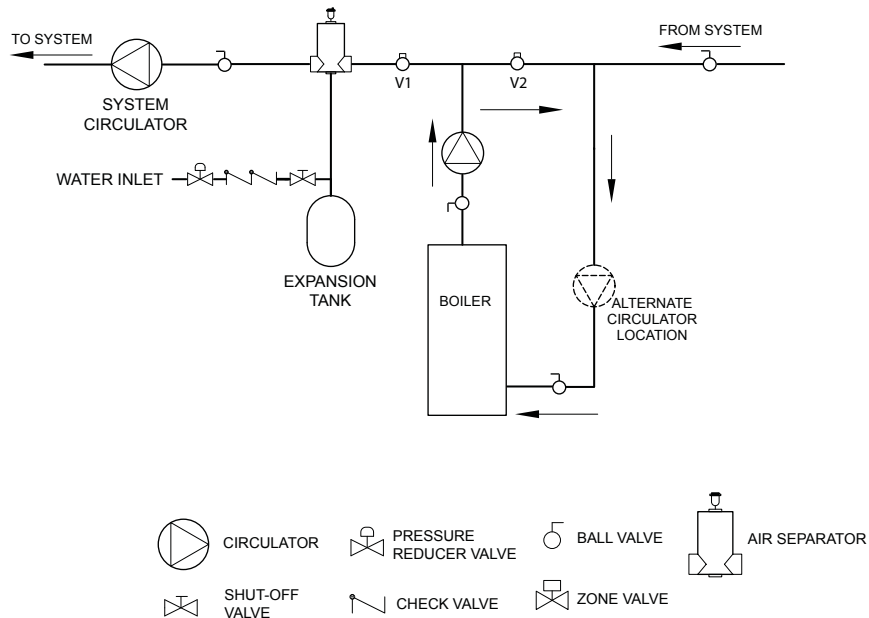


Figure 7 - Bypass Piping - Fixed Low Temp Only Automatic Mixing Valve



7. Installation using circulators and zone valves are shown in **Figures 8-11**. For further piping information refer to I=B=R Installation and Piping Guide.

**⚠ WARNING**

Burn and scald hazard. Safety relief valve could discharge steam or hot water during operation. Install discharge piping per these instructions.

8. Install discharge piping from safety relief valve.

- Use 3/4" or larger pipe.
- Use pipe suitable for temperatures of 375°F (191°C) or greater.

- Individual boiler discharge piping shall be independent of other discharge piping.
- Size and arrange discharge piping to avoid reducing safety relief valve relieving capacity below minimum relief valve capacity stated on rating plate.
- Run pipe as short and straight as possible to location protecting user from scalding and properly drain piping.
- Install union, if used, close to safety relief valve outlet.
- Install elbow(s), if used, close to safety relief valve outlet and downstream of union (if used).
- Terminate pipe with plain end (not threaded).

Figure 8 - Single Zone System With DHW Priority

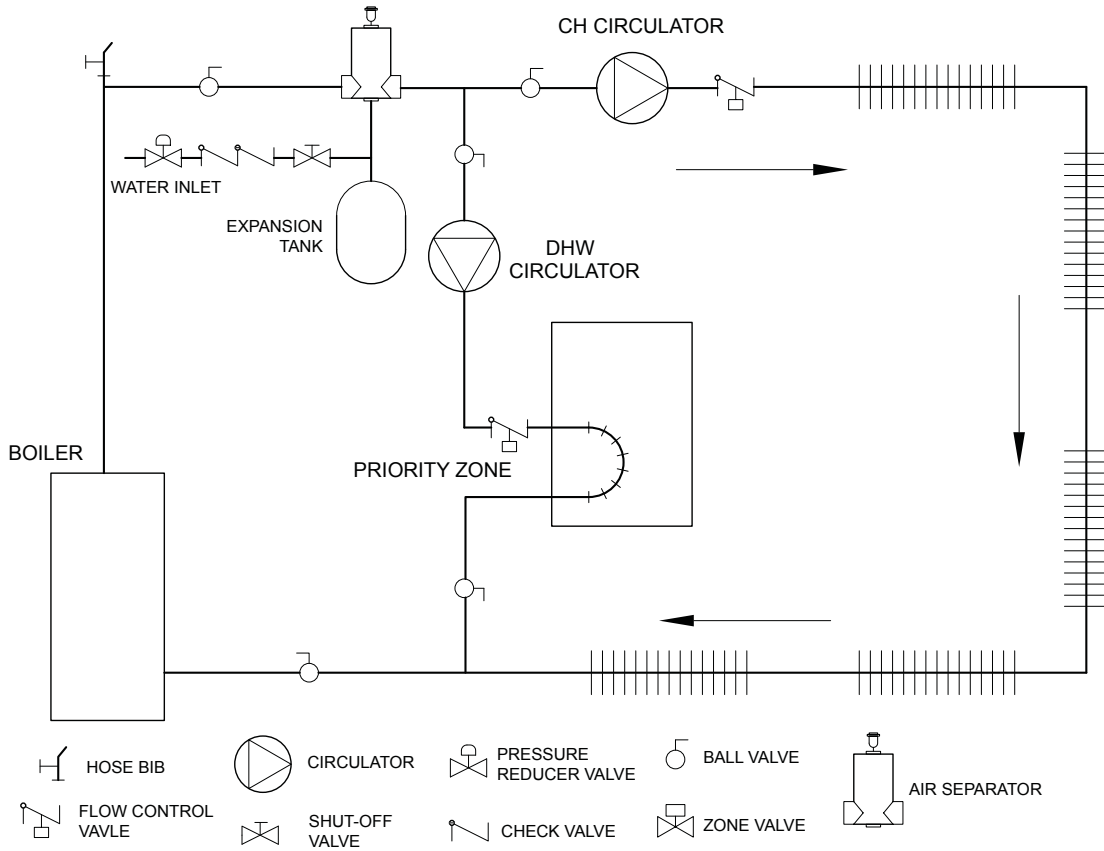


Figure 9 - Multi Zone System With Circulators And DHW Priority

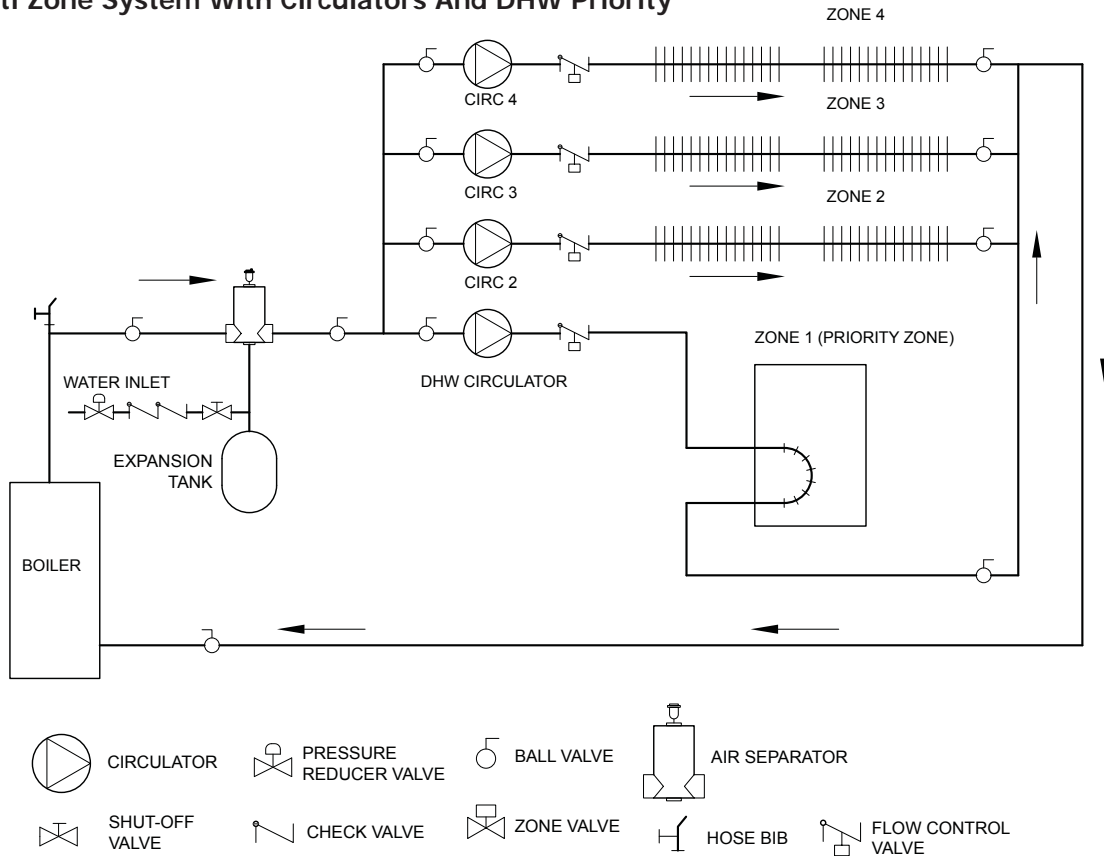


Figure 10 - Multi Zone System With Zone Valves And DHW Priority (With Circulator)

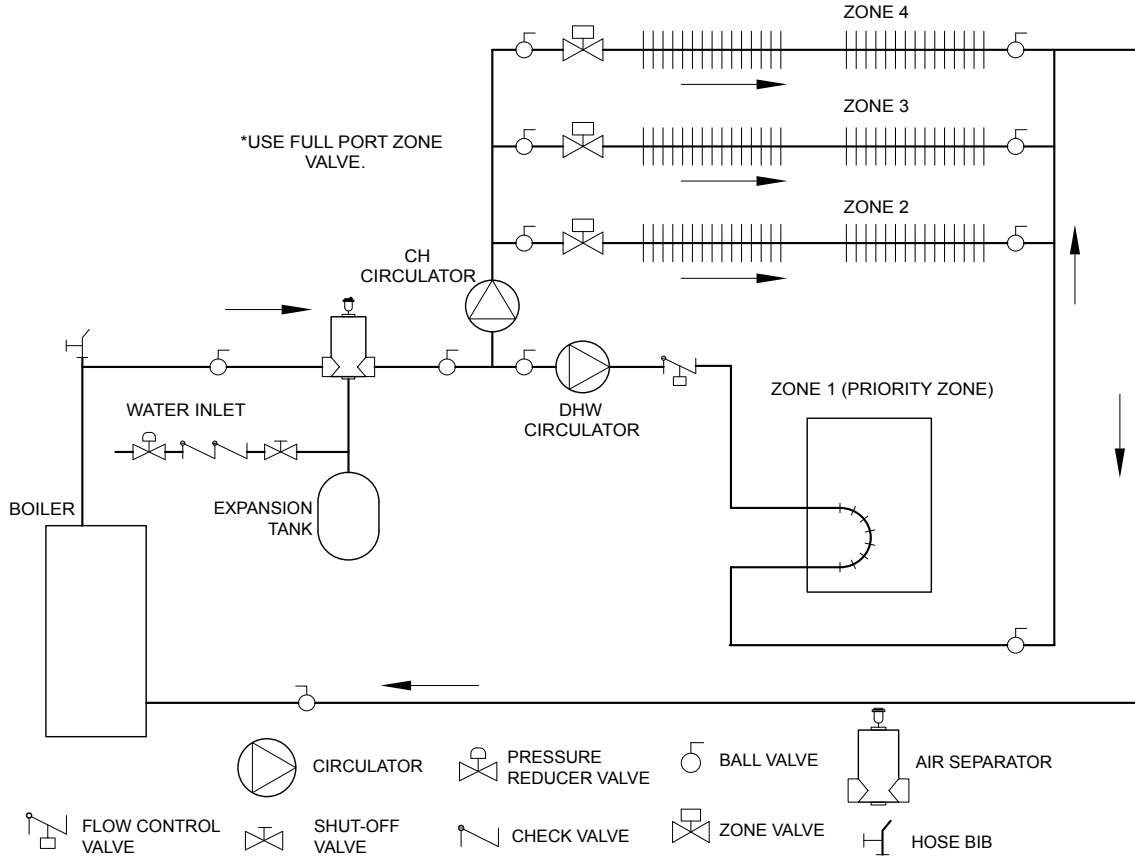
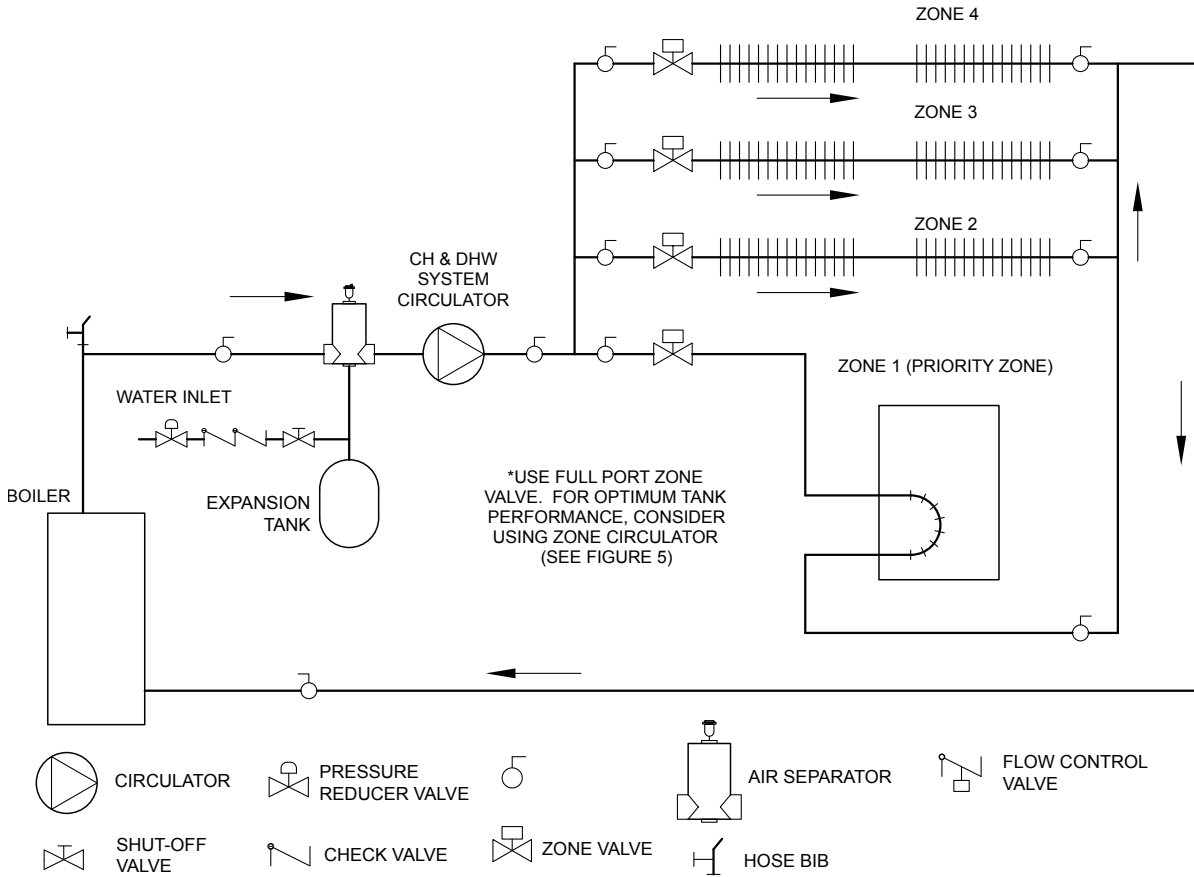


Figure 11 - Multi Zone System With Zone Valves And DhW Priority (With Zone Valve)



## VENT INSTALLATION

### WARNING



All installations of boilers and venting should be done only by a qualified expert and in accordance with the appropriate manual. Installing or venting a boiler or any other gas appliance with improper methods or materials may result in serious injury or death due to fire or to asphyxiation from poisonous gases such as carbon monoxide which is odorless and invisible.

### WARNING



This boiler shall not be connected to any portion of a mechanical draft system operating under positive pressure.

1. The vent pipe must slope upward from the boiler not less than  $\frac{1}{4}$  inch for every 1 foot (21mm/m) to vent terminal.
2. Horizontal portions of the venting system shall be supported rigidly every 5 feet and at the elbows. No portion of the vent pipe should have any dips or sags.
3. This boiler series is classified as a Category I. Vent installation shall be in accordance with "Venting of Equipment," of the National Fuel Gas Code, ANSI Z223.1/NFPA 54, or "Venting Systems and Air Supply for Appliances," of the Natural Gas and Propane Installation Code, CAN/CSA B149.1, or applicable provisions of the local building codes.
4. Inspect chimney to make certain it is constructed according to NFPA 211. The vent or vent connector shall be Type B or metal pipe having resistance to heat and corrosion not less than that of galvanized sheet steel or aluminum not less than 0.016 inch thick (No. 28 Ga).
5. Connect flue pipe from draft hood to chimney. Bolt or screw joints together to avoid sags. Flue pipe should not extend beyond inside wall of chimney. Do not install manual damper in flue pipe or reduce size of flue outlet except as provided by the latest revision of ANSI Z223.13 or CAN/CSA B149.1. Protect combustible ceiling and walls near flue pipe with fireproof insulation. Where two or more appliances vent into a common flue, the area of the common flue must be at least equal to the area of the largest flue plus 50 percent of the area of each additional flue.

## VENT SYSTEM MODIFICATION

When an existing boiler is removed from a common venting system, the system is likely to be too large for the proper venting of the appliances still connected to it. If this situation occurs, the following test procedure must be followed:

### REMOVAL OF BOILER FROM VENTING SYSTEM

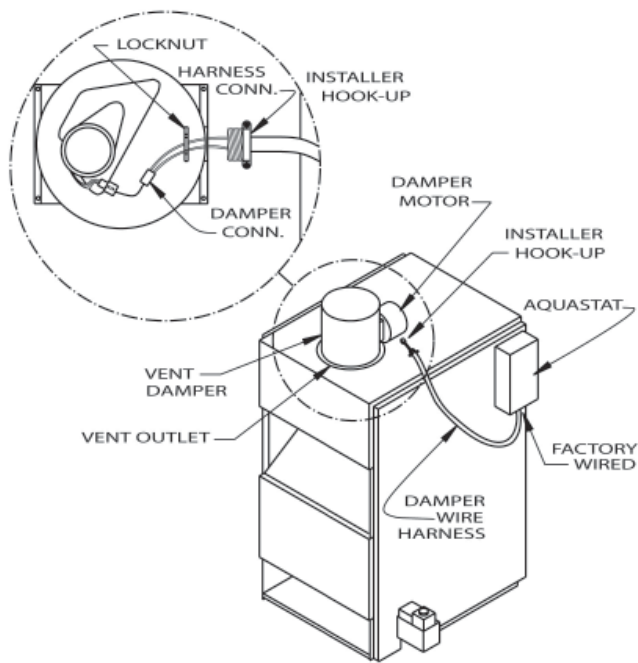
At the time of removal of an existing boiler, the following steps shall be followed with each appliance remaining connected to the common venting system placed in operation, while the other appliances remaining connected to the common venting system are not in operation.

1. Seal an unused opening in the common venting system.
2. Visually inspect the venting system for proper size and horizontal pitch and determine there is no blockage or restriction, leakage, corrosion and other deficiencies which could cause an unsafe condition.
3. Insofar as is practical, close all building doors and windows and all doors between the space in which the appliances remaining connected to the common venting system are located and other spaces of the building. Turn on clothes dryers and any other appliance not connected to the common venting system. Turn on any exhaust fans, such as range hoods and bathroom exhausts, so they operate at maximum speed. Do not operate a summer exhaust fan. Close fireplace dampers.
4. Place in operation the appliance being inspected. Follow the lighting instructions. Adjust thermostat so appliance will operate continuously.
5. Test for spillage at the draft hood relief opening after 5 minutes of main burner operation. Use the flame of a match or candle, or smoke from a cigarette, cigar or pipe.
6. After it has been determined that each appliance remaining connected to a common venting system properly vents when tested as outlined above, return doors, windows, exhaust fans, fireplace dampers and any other gas burning appliances to their previous condition of use.
7. Any improper operation of the common venting system should be corrected so the installation conforms with the National Fuel Gas Code, ANSI Z223.1/NFPA 54, and/or the Natural Gas and Propane Installation Code, CAN/CSA B149.1. When re-sizing any portion of the common venting system, the common venting system should be re-sized to approach the minimum size determined using the appropriate tables in Chapter 13 of the National Fuel Gas Code, ANSI Z223.1/NFPA 54, and/or the Natural Gas and Propane Installation Code, CAN/CSA B149.1.

## DAMPER INSTALLATION

**NOTE:** Refer to **Figure 11** for steps 1-6.

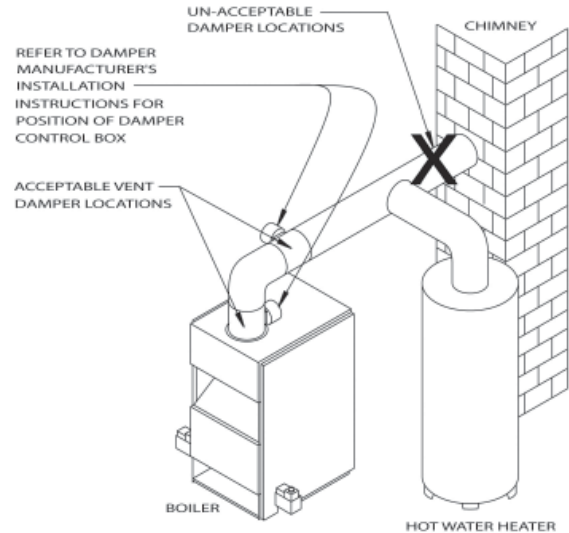
**Figure 12 - Damper Motor Wiring**



1. Place Vent Damper on or as close to vent outlet of boiler as possible. **Figure 13.**
2. Remove Vent Damper Motor cover.
3. Feed damper wire harness connector through bracket hole on Damper Motor frame.
4. Tighten locknut onto Damper wire harness connector.
5. Plug Damper connector into socket on Damper Motor frame.
6. Replace Damper Motor cover and wire Damper in accordance with **Figure 12.**

## DAMPER INSTRUCTIONS

**Figure 13 - Vent Damper Placement**



1. Verify only boiler is serviced by Vent Damper. **Figure 13.**
2. Clearance of not less than 6 inches (152mm) between Vent Damper and combustible material must be maintained. Additional clearance should be allowed for service of Vent Damper.
3. Vent Damper must be in the open position when appliance main burners are operating.
4. The Vent Damper position indicator must be in a visible location following installation.
5. The thermostat's heat anticipator must be adjusted to match the total current draw of all controls associated with the boiler during a heating cycle.

**CAUTION**

**WHAT TO DO IF YOU SMELL GAS**

- Do not try to light any appliance.
- Do not touch any electrical switch; do not use any phones in your building.
- Immediately call your gas supplier from a neighbor's phone. Follow gas supplier's instructions.
- If you cannot reach your gas supplier, call the fire department.

**General**

- Use piping materials and joining methods acceptable to authority having jurisdiction. In absence of such requirements:
  - USA - National Fuel gas Code, ANSI Z223.1/NFPA 54
  - Canada - Natural Gas and Propane Installation Code, CAN/CSA B149.1
- Size and install gas piping system to provide sufficient gas supply to meet maximum input at not less than minimum supply pressure. See Table 5.
- Support piping with hooks straps, bands, brackets, hangers, or building structure components to prevent or dampen excessive vibrations and prevent strain on gas connection. Boiler will not support piping weight.
- Use thread (joint) compound (pipe dope) suitable for liquefied petroleum gas.
- Install field sourced manual main shutoff valve, ground joint union, and sediment trap upstream of gas valve. See Figure 14.

Figure 14 - Gas Piping

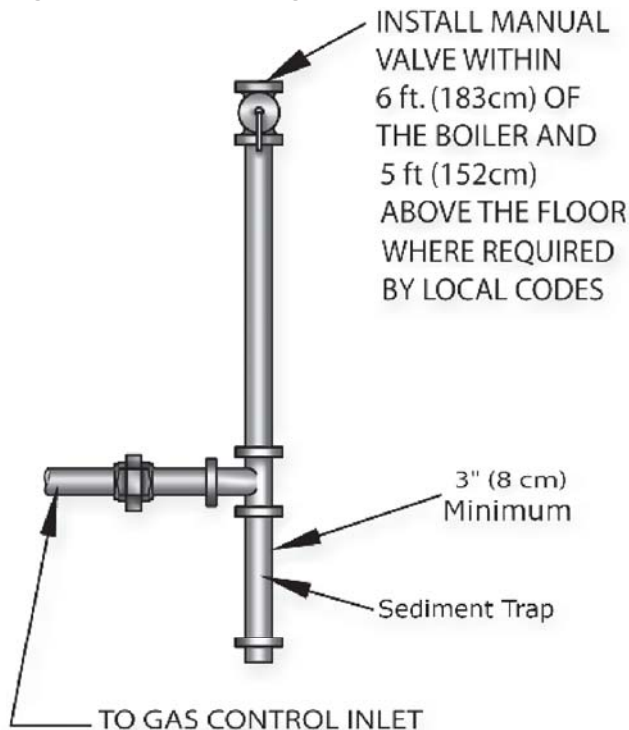


Table 5	Natural Gas	Propane
Min. Supply Pressure	5" w.c.	11" w.c.
Max. Supply Pressure	13.5" w.c.	13.5" w.c.
Manifold Pressure	3.5" w.c.	10.5" w.c.

MAXIMUM CAPACITY OF PIPE IN CUBIC FEET OF GAS/HOUR  
(Gas Pressure = 0.5 psig or less, Pressure Drop = 5 in. w/c)

Length of Pipe (Feet)	Table 4 Nominal Iron Pipe Size			
	1/2"	3/4"	1"	1 1/4"
10	175	360	680	1400
20	120	250	465	950
30	97	200	375	770
40	82	170	320	660
60	66	138	260	530
80	57	118	220	460
100	50	103	195	400

For additional information refer to the National Fuel Gas Code Handbook.

**DANGER**

!

Fire Hazard. Do not use matches, candles, open flames, or other methods providing ignition source. Failure to comply will result in death or serious injury.

**Leak Check Gas Piping**

Pressure test boiler and gas connection before placing boiler in operation.

- Pressure test over 1/2 psig (3.5 kPa). Disconnect boiler and its individual gas shutoff valve from gas supply system.
- Pressure test at 1/2 psig (3.5 kPa) or less. Isolate boiler from gas supply system by closing manual gas shutoff valve.
- Locate leakage using gas detector, noncorrosive detection fluid, or other leak detection method acceptable to authority having jurisdiction. Do not use matches, candles, open flames, or other methods providing ignition source.
- Correct leaks immediately and retest.

**WARNING**

Electrical shock hazard. Turn OFF electrical power supply at service panel before making electrical connections. Failure to do so could result in death or serious injury.

**ELECTRICAL WIRING**

See wiring diagrams on the following two pages for details.

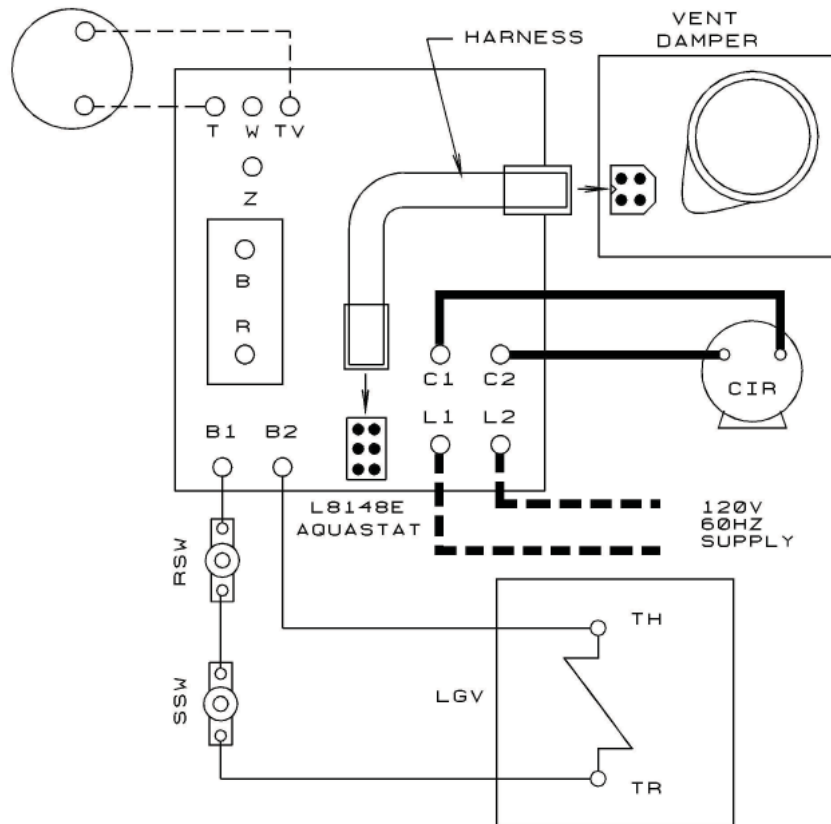
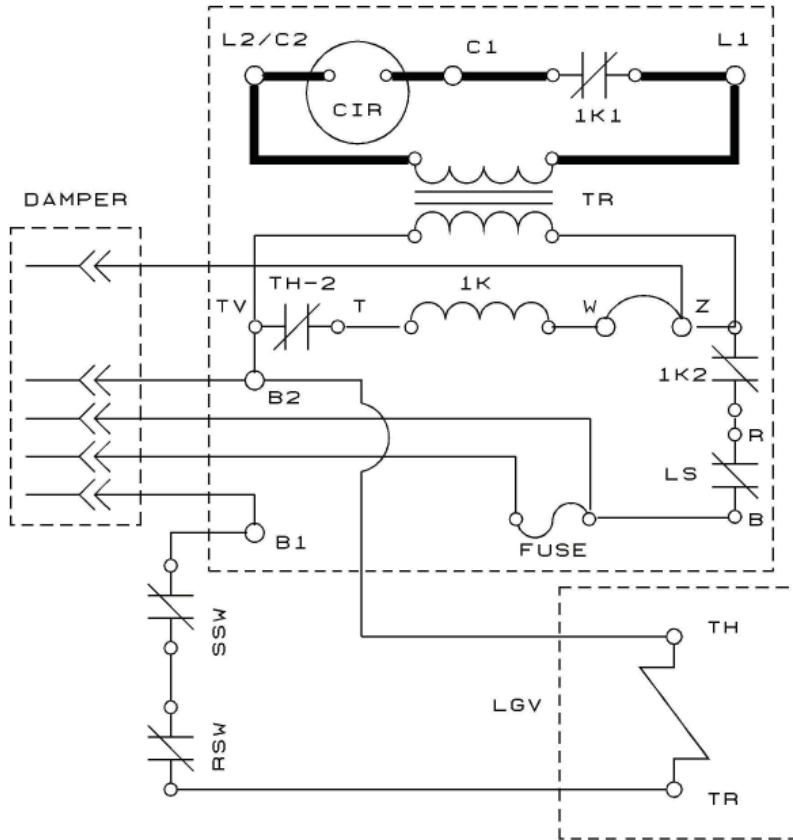
Electrically bond boiler to ground in accordance with requirements of authority having jurisdiction. Refer to:

- USA- National Electrical Code, ANSI/NFPA 70.
- Canada - Canadian Electrical Code, Part I, CSA C22.1: Safety Standard for Electrical Installations.

**THERMOSTAT INSTALLATION**

1. Thermostat should be installed on an inside wall about four feet above the floor.
2. NEVER install a thermostat on an outside wall.
3. Do not install a thermostat where it will be affected by drafts, hot or cold pipes, sunlight, lighting fixtures, televisions, a fireplace, or a chimney.
4. Check thermostat operation by raising and lowering thermostat setting as required to start and stop the burners.
5. Instructions for the final adjustment of the thermostat are packaged with the thermostat (adjusting heating anticipator, calibration, etc.)

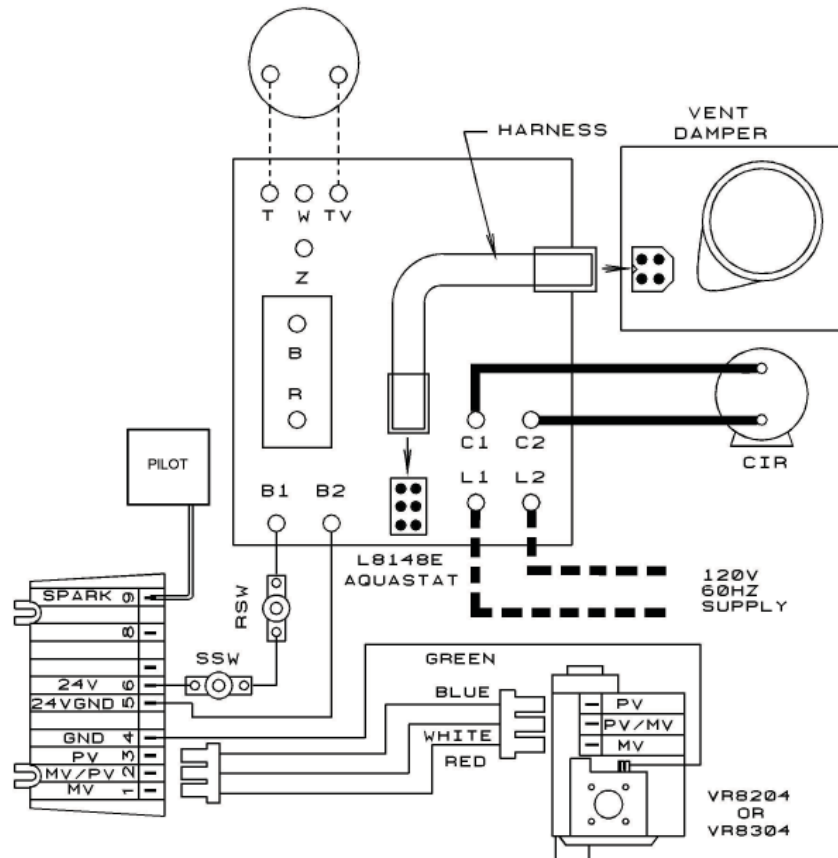
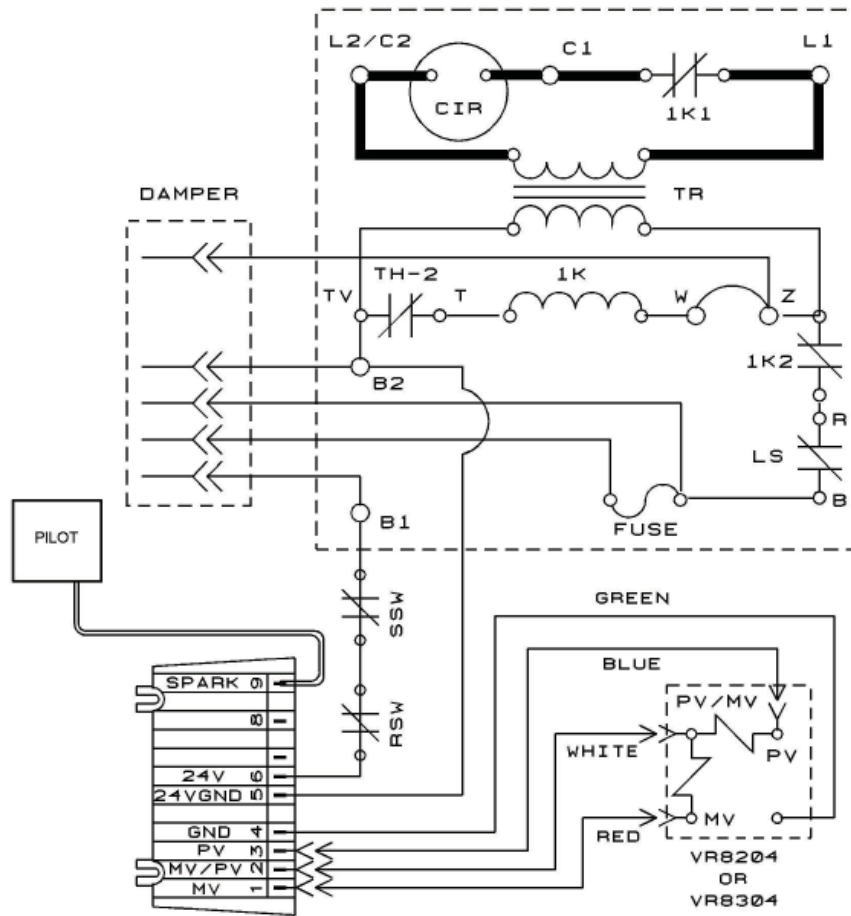
# WIRING DIAGRAM - 24V STANDING PILOT



VR8200  
OR  
VR8300



# WIRING DIAGRAM - INTERMITTENT IGNITION



## LIGHTING INSTRUCTIONS

### WARNING



If you do not follow these instructions exactly, a fire or explosion may result, causing property damage, personal injury or loss of life.

Before any procedures are attempted on this appliance, determine if ignition system is electric or standing pilot. If you are uncertain, contact manufacturer before proceeding.

### WARNING



Before lighting any type of pilot burner (standing or intermittent), make certain the hot water boiler and system are full of water to minimum pressure of 12 psi in the system, and also verify system is vented of air. Set operating control of thermostat to "below" normal setting. Refer to following appropriate lighting instruction.

### LIGHTING PROCEDURE FOR BOILER WITH INTERMITTENT PILOT SYSTEM

#### For Your Safety, Read Before Operating!!

- A. This appliance is equipped with an ignition device which automatically lights the pilot. Do not try to light the appliance by hand.
- B. Before operating, smell all around the appliance area for gas. Be sure to smell next to the floor because some gas is heavier than air and will settle on the floor.

### CAUTION



#### WHAT TO DO IF YOU SMELL GAS

- Do not try to light any appliance.
- Do not touch any electrical switch; do not use any phone in your building.
- Immediately call your gas supplier from a neighbor's phone. Follow the gas supplier's instructions.
- If you cannot reach your gas supplier, call the fire department.

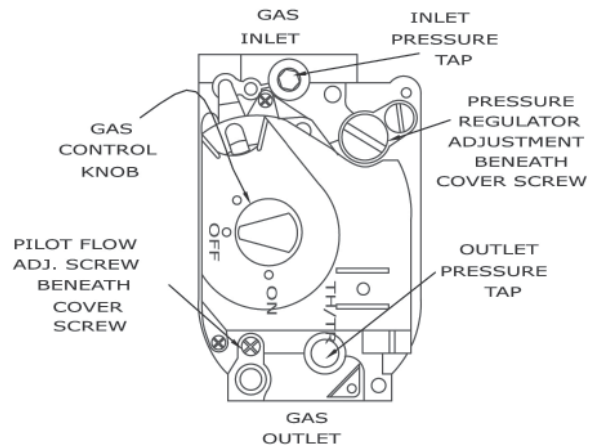
- C. Use only your hand to push in or turn the gas control knob. Never use tools. If the knob will not push in or turn by hand, don't try to repair it. Call a qualified service technician. Force or attempted repair may result in a fire or explosion.



- D. Do not use this appliance if any part has been under water. Immediately call a qualified service technician to inspect appliance and to replace any part of control system and any gas control which has been under water.

### OPERATING INSTRUCTIONS FOR INTERMITTENT PILOT SYSTEM

1. STOP! Read the safety information to the left.
2. Set the thermostat to lowest setting.
3. Turn off all electric power to the appliance.
4. This appliance is equipped with an ignition device which automatically lights the pilot. Do not try to light the pilot by hand.

Figure 15 - Intermittent Pilot




5. Turn gas control knob clockwise  to "OFF."
6. Wait (5) minutes to clear out any gas. If you then smell gas, STOP! Follow "What To Do If You Smell Gas" in the safety information to the left. If you don't smell gas, go on to the next step.
7. Turn gas control knob counterclockwise  to "ON."
8. Turn on all electric power to the appliance.
9. Set thermostat to desired setting.
10. If the appliance will not operate, follow the instructions "To Turn Off Gas To Appliance" on next page, and call a qualified service technician or your gas supplier.

**LIGHTING PROCEDURE FOR BOILER WITH CONTINUOUS PILOT**

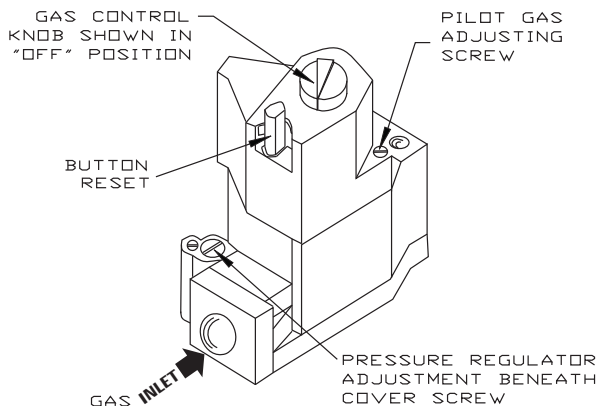
**For Your Safety, Read Before Lighting!!**

1. Read the warning at the beginning of "**Lighting Instructions.**"
2. This appliance has a pilot which must be lighted by hand. When lighting the pilot, follow these instructions exactly.
3. Before lighting, smell all around the appliance area for gas. Be sure to smell next to the floor because some gas is heavier than air and will settle on the floor. See section "**What To Do If You Smell Gas**" on previous page
4. Use only your hand to push in or turn gas control knob or reset button. Never use tools. If the knob or reset button will not push in or turn by hand, don't try to repair it, call a qualified service technician. Force or attempted repair may result in a fire or explosion.
5. Do not use this appliance if any part has been under water. Immediately call a qualified service technician to inspect the appliance and to replace any part of the control system and any gas control which has been under water.

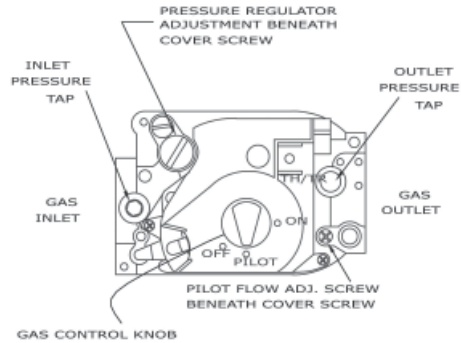
**LIGHTING INSTRUCTIONS FOR CONTINUOUS PILOT**

1. **STOP!** Read the safety information above.
2. Set the thermostat to the lowest setting.
3. Turn off all electric power to the appliance.
4. Remove access panel and burner door.
5. Turn gas control knob clockwise  to "OFF." (Figures 16 and 17)




**Figure 16 - Gas Control Knob**




**Figure 17 - Continuous Pilot**



**NOTE:** Some gas control knobs cannot be turned from "PILOT" to "OFF" unless knob is pushed in slightly. **DO NOT FORCE.**

6. Wait (5) minutes to clear out any gas. If you then smell gas, STOP! Follow "**What To Do If You Smell Gas**" on previous page. If you don't smell gas, go to the next step.
7. Find pilot. Follow metal tube from gas control. Depending on the model of the boiler, pilot is either mounted on the base or on one of the burner tubes.
8. Turn gas control knob counterclockwise  to "PILOT."
9. Push in gas control knob or reset button if so equipped, all the way in and hold. Immediately light the pilot with a match. Continue to hold the gas control knob or reset button in for about 1 minute after the pilot is lit. Release knob or button, and it will pop up back up. Pilot should remain lit. If it goes out, repeat steps 5 through 9.
  - If knob or button does not pop up when released, stop and immediately call a qualified service technician or your gas supplier.
  - If the pilot will not stay lit after several tries, turn the gas control knob clockwise  to "OFF." Call a qualified service technician or your gas supplier.
10. Replace burner door.
11. Turn gas control knob counterclockwise  to "ON."
12. Replace access panel.
13. Turn on all electric power to the appliance.
14. Set thermostat to desired setting.

**TO TURN OFF GAS TO THE APPLIANCE**

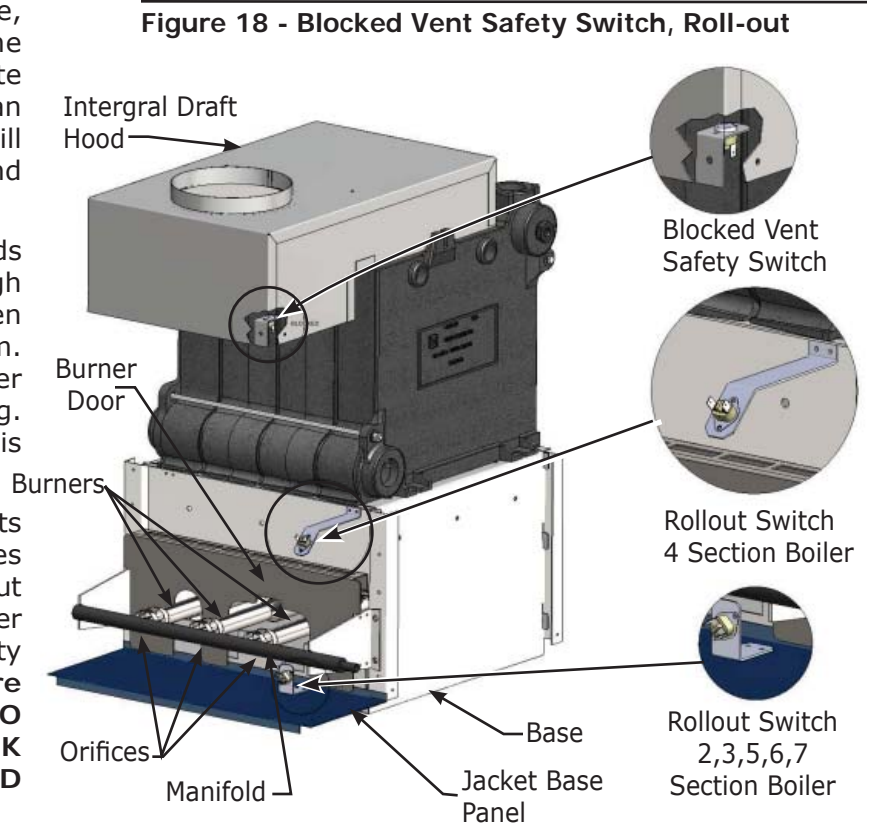
1. Set the thermostat to lowest setting.
2. Turn off all electric power to the appliance if service is to be performed.
3. Push in gas control knob slightly and turn clockwise  to "OFF." **DO NOT FORCE.**
4. Call a qualified service technician.

## NORMAL SEQUENCE OF OPERATION

On a call for heat, the thermostat will actuate, completing the circuit to the control. The completed circuit to the control will first activate the circulator and damper which will close an end switch inside the damper. This action will complete the circuit to the ignition system and ignition will take place.

In the event the boiler water temperature exceeds the high limit setting on the boiler mounted high limit control, power will be interrupted between the control system and the ignition system. The power will remain off until the boiler water temperature drops below the high limit setting. The circulator will continue to operate under this condition until the thermostat is satisfied.

In the event the flow of combustion products through the boiler venting system becomes blocked, the blocked vent safety switch will shut the main burner gas off. Similarly, if the boiler flue-way becomes blocked, a flame rollout safety switch will shut the main burner gas off. **Figure 18.** If either of these conditions occur, **DO NOT ATTEMPT TO PLACE THE BOILER BACK INTO OPERATION. CONTACT A CERTIFIED SERVICE AGENCY.**



## GENERAL INSTRUCTIONS

Before seasonal start-up, have a certified service agency check the boiler for soot and scale in the flues, clean the burners and check the gas input rate to maintain high operating efficiency.

### CAUTION



Label all wires prior to disconnection when servicing controls. Wiring errors can cause improper and dangerous operation.

Verify proper operation after servicing

The service agency or owner should make certain the system is filled with water to minimum pressure and open air vents, if used, to expel any air that may have accumulated in the system. Check the entire piping system and, if any leaks appear, have them repaired.

**Circulators need to be checked and maintained. Refer to the circulator manufacturer's instructions.**

The venting system should be inspected at the start of each heating season. Check the vent pipe from the boiler to the chimney for signs of deterioration by rust or sagging joints. Repair if necessary. Remove the vent pipe at the base of the chimney or flue and using a mirror, check vent for obstruction and make certain the vent is in good working order.

The boiler flue gas passageways may be inspected by a light and mirror. Remove the burner door. **Figure 21.** Place a trouble lamp in the flue collector through the draft relief opening. With the mirror positioned above the burners, the flue gas passageways can be checked for soot or scale.

The following procedure should be followed to clean the flue gas passageways:

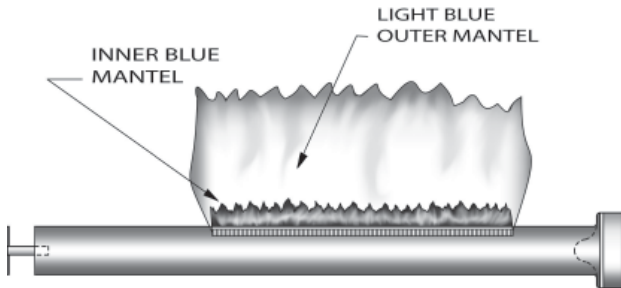
1. Remove the burners from the combustion chamber by raising the burners up from the manifold orifices and pulling toward the front of the boiler. **Figure 21.**
2. Disconnect the vent pipe from the draft hood.
3. Remove the top jacket panel.
4. Remove the combination flue collector and draft hood from the boiler castings by loosening the nuts on the hold down bolts located on each side of the collector. **Figure 17.**
5. Place a sheet of heavy paper or similar material over the bottom of the base and brush down the flue passageways. The soot and scale will collect on the paper and is easily removed with the paper.
6. With the paper still in place in the base, clean the top of the boiler castings of the boiler putty or silicone used to seal between the castings and flue collector. Make certain that chips are not lodged in the flue passageways.

## GENERAL INSTRUCTIONS

When the cleaning process is complete, restore the boiler components to their original position. Use IS-808 GE silicone (available from a distributor) to seal around the flue collector and boiler castings.

A visual check of the main burner and pilot flames should be made at the start of the heating season and again in mid-season. The main burner flame should have a well defined inner blue mantel with a lighter blue outer mantel. Check the burner throats and burner orifices for lint or dust obstruction. **Figures 20 and 21.**

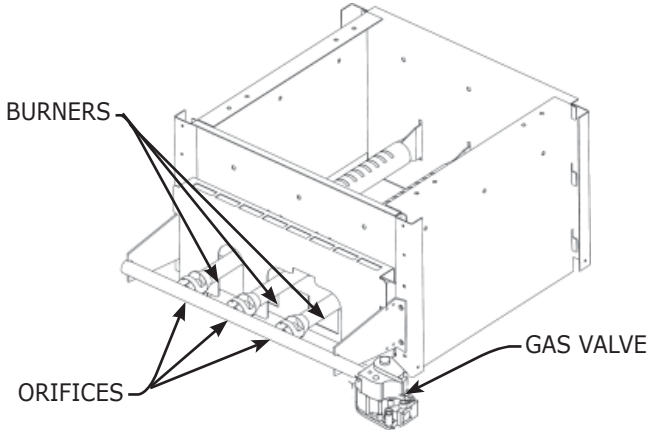
**Figure 19 - Gas Burner Flame**



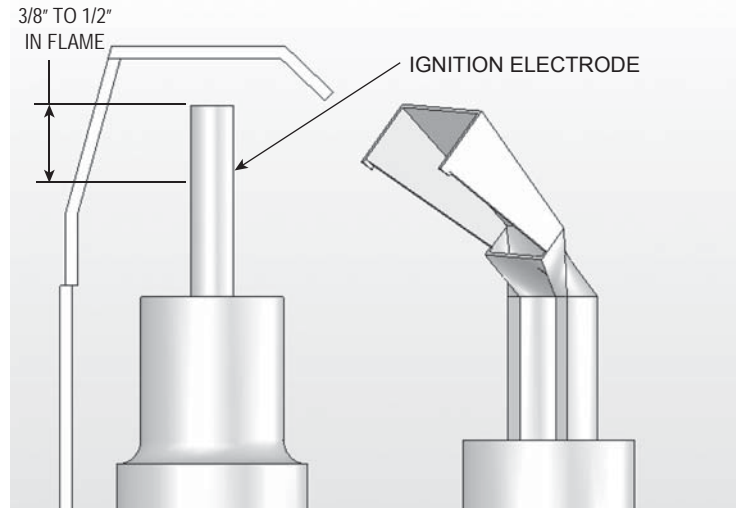
**Figure 20 - Gas Burner Orifices**



The pilot flame should envelop  $\frac{3}{8}$  to  $\frac{1}{2}$  inch of the tip of the pilot thermocouple, ignition/sensing electrode or mercury sensor. **Figure 21.**

**Figure 20 - Combustion Chamber**



**Figure 21 - Gas Burner Pilot**





To adjust the pilot flame, remove the pilot adjustment cover screw and turn the inner adjustment screw counterclockwise  to increase or clockwise  to decrease pilot flame. Be sure to replace cover screw after adjustment to prevent possible gas leakage. **Figures 15 - 17 on previous pages.**

The burners and pilot should be checked for signs of corrosion, rust or scale buildup. The area around the boiler must be kept clear and free of combustible materials, gasoline and other flammable vapors and liquids.

The free flow of combustion and ventilating air to the boiler and boiler room must not be restricted or blocked.

Inspect field sourced low water cutoffs annually, or as recommended by low water cutoff manufacturer. Flush float type low water cutoffs per manufacturer's instructions.


It is recommended that a qualified service agency be employed to make an annual inspection of the boiler and heating system. They are experienced in making the inspections outlined above, and, in the event repairs or corrections are necessary, trained technicians can make the proper changes for safe operation of the boiler.

Gas input to the boiler can be adjusted by removing the protective cap on the pressure regulator, and turning the screw clockwise  to increase input and counterclockwise  to decrease input. The manifold pressures are taken at the outlet side of the gas valve. To check for proper flow of natural gas to the boiler, divide the input rate shown on the rating plate by the heating value of the gas obtained from the local gas company. This will determine the number of cubic feet of gas required per hour. With all other gas appliances off, determine the flow of gas through the meter for two minutes and multiply by 30 to get the hourly rate. Make minor adjustments to the gas input as described above. **Figures 15-17.**

Burner orifices should be changed if the final manifold pressure varies more than plus or minus 0.3 inches water column from the specified pressure.

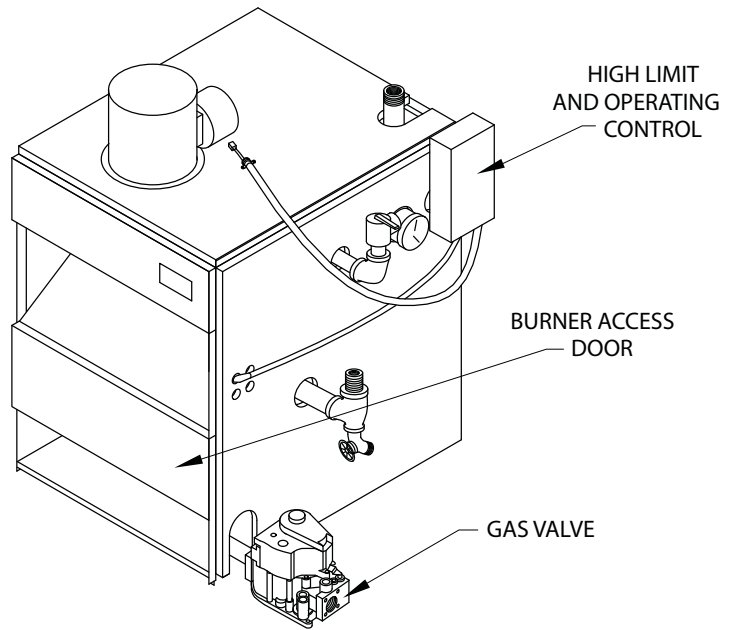
Primary air adjustment is not necessary, therefore air shutters are not furnished as standard equipment. Air shutters can be furnished on request where required by local codes or conditions.

**CHECK SAFETY CONTROL CIRCUIT.** Ignition system safety shutoff device must be tested after placing boiler in operation. **(Figures 15-17 on previous pages)**

**1. Pilot:** With main burner operating, turn the pilot gas adjusting screw clockwise  until pilot gas is turned off. Within 90 seconds the main gas control should close, shutting off the gas to the main burner.

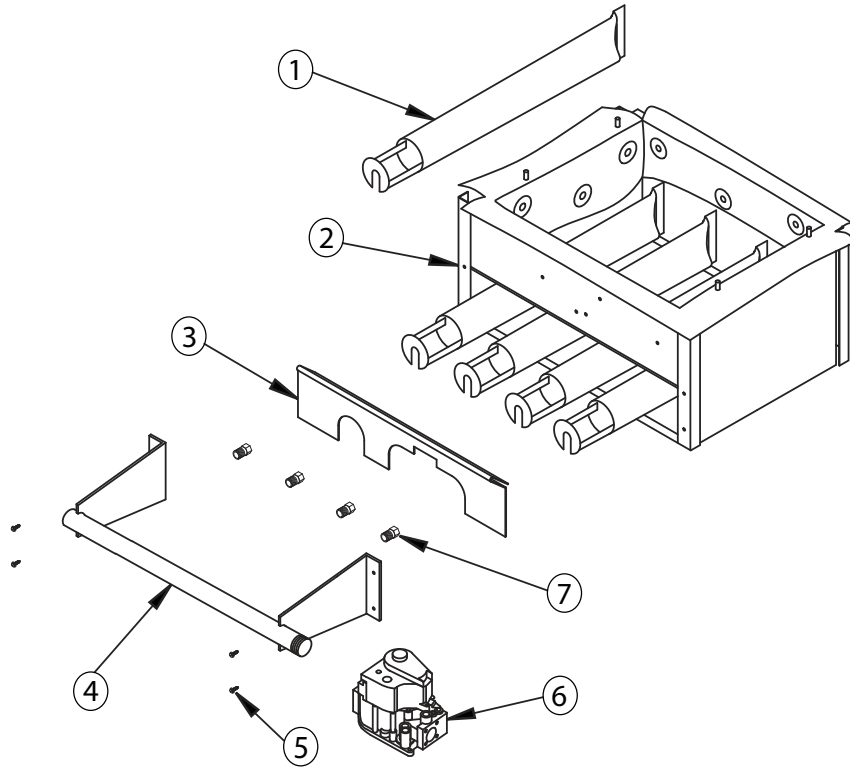
**2. High Limit Control:** Remove cover and note temperature setting. Decrease this setting to minimum and operate boiler. When the boiler water temperature exceeds the control temperature setting, the control will open the circuit, closing the automatic main gas valve. **Figure 22.**

Figure 22 - High Limit Control Location



## REPLACEMENT PARTS - BASE

### BOILER BASE



Item #	Description	Part #	Qty.
1	BURNER TUBE 1 1/2" - 50	240005543	1
	BURNER TUBE 1 1/2" - 75, 100		2
	BURNER TUBE 1 1/2" - 125, 150		3
	BURNER TUBE 1 1/2" - 175, 200		4
	BURNER TUBE 1 1/2" - 250		5
	BURNER TUBE 1 1/2" - 300		6
2	BASE W/INSUL - 50	5611601	1
	BASE W/INSUL - 75, 100	5611602	
	BASE W/INSUL - 125, 150	3001823	
	BASE W/INSUL - 175, 200	5611604	
	BASE W/INSUL - 250	5611605	
	BASE W/INSUL - 300	5611606	
3	BURNER DOOR - 50	3261201	1
	BURNER DOOR - 75, 100	3262701	
	BURNER DOOR - 125, 150	109008513	
	BURNER DOOR - 175, 200	109008514	
	BURNER DOOR - 250	109008515	
	BURNER DOOR - 300	109008516	
4	MANIFOLD - 50	356-2-1.01	1
	MANIFOLD - 75&100	356-2-1.02	
	MANIFOLD - 125&150	356-2-1.03	
	MANIFOLD - 175&200	356-2-1.04	
	MANIFOLD - 250	356-2-1.05	
	MANIFOLD - 300	356-2-1.06	

Item #	Description	Part #	Qty.
5	SCREW ¼ - 20 X ½ SELF TAP	HW-005.01	4
6	GAS VALVE VR8200H - 50 - 150 24V NAT	VG-003.05	1
	GAS VALVE VR8200H - 50 - 300 24V LP	VG00307	
	GAS VALVE VR8204H - 50 - 150 SPARK NAT	VG01101	
	GAS VALVE VR8304H4 - 175-300 SPARK NAT	VG01103	
	GAS VALVE VR8304 - 50-300 SPARK LP	VG01104	
	GAS VALVE VR8300H4 - 250 & 300 24V NAT	VG01201	
7	GAS VALVE VR8300H4 - 175 & 200 24V NAT	VG01202	*
	ORIFICE 3.2mm NAT - 50, 100, 150, 200, 250, & 300	240007406	
	ORIFICE 3.0mm NAT - 175	240007404	
	ORIFICE 2.9mm NAT - 125	240007403	
	ORIFICE 2.8mm NAT - 75	240007402	
	ORIFICE #45 LP - 50	3551520	
	ORIFICE #47 LP - 100, 150, 200, 250, & 300	355-1-5.04	
NOT SHOWN	ORIFICE #49 LP - 125 & 175	355-1-5.06	1
	ORIFICE #50 LP - 75	355-1-5.07	
	COMBUSTIBLE BASE FLOORING - 50	325-2-8.01	
	COMBUSTIBLE BASE FLOORING - 75, 100	325-2-8.02	
	COMBUSTIBLE BASE FLOORING - 125, 150	325-2-8.03	
	COMBUSTIBLE BASE FLOORING - 175, 200	325-2-8.04	
	COMBUSTIBLE BASE FLOORING - 250	325-2-8.05	
	COMBUSTIBLE BASE FLOORING - 300	325-2-8.06	

\* Orifice Quantities: Model 50 - qty 1; Model 75 & 100- qty 2; Model 125 & 150- qty 3; Model 175 & 200- qty 4; Model 250- qty 5; Model 300- qty 6.

## REPLACEMENT PARTS - HEAT EXCHANGER

### HEAT EXCHANGER

Fully Assembled Heat Exchangers	
912000001	Heat Exchanger (2 Section)
912000002	Heat Exchanger (3 Section)
912000003	Heat Exchanger (4 Section)
912000004	Heat Exchanger (5 Section)
912000005	Heat Exchanger (6 Section)
912000006	Heat Exchanger (7 Section)

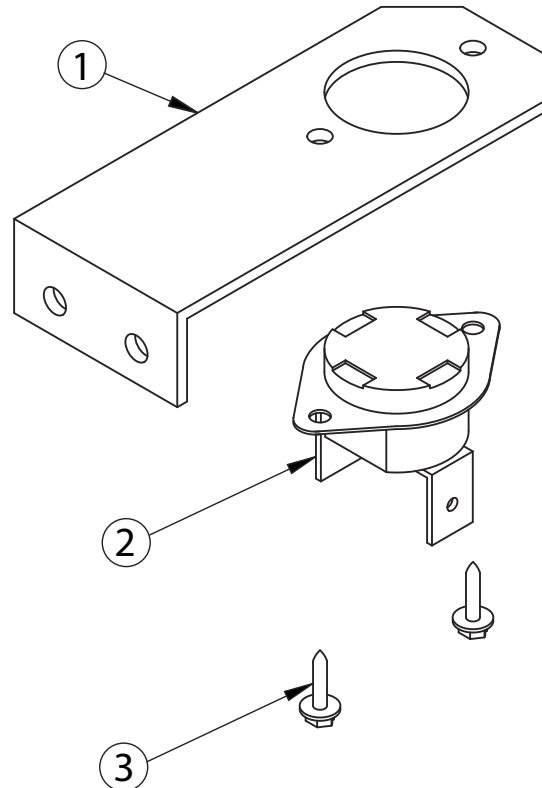
## ROLLOUT & SPILL SWITCH

### ROLLOUT & SPILL SWITCH

Item #	Description	Part #	Qty.
1	2 SECTION TEMP. SENSOR BRACKET	32611001	1
	3 SECTION TEMP. SENSOR BRACKET	3262001	1
	4 SECTION TEMP. SENSOR BRACKET	109008517	1
	5-7 SECTION TEMP. SENSOR BRACKET	109008518	1
2	CONTROL-FIXED TEMPERATURE THERMO (ROLLOUT SWITCH)	AQ02101	1
3	SCREW - #6 X ¼ HEX HD	HW06501	2

Rollout switch is located on base and flue collector.

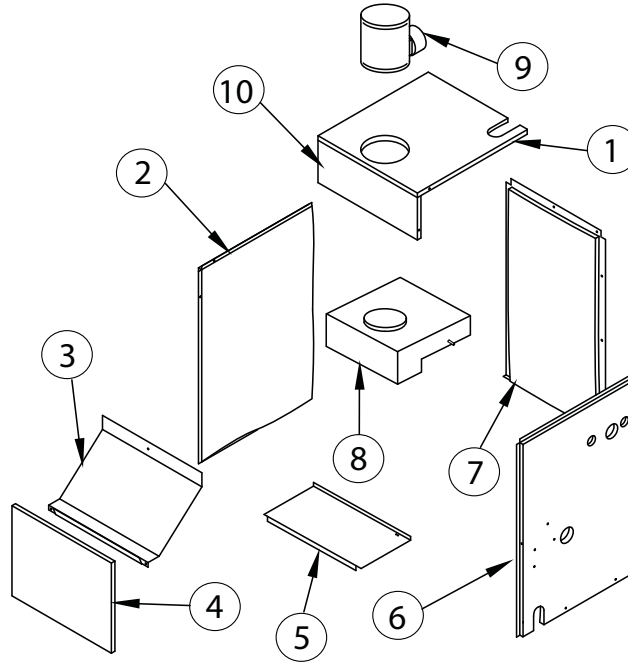
NOTE: Quantities above are for each switch.





## REPLACEMENT PARTS - JACKET

### BOILER JACKET

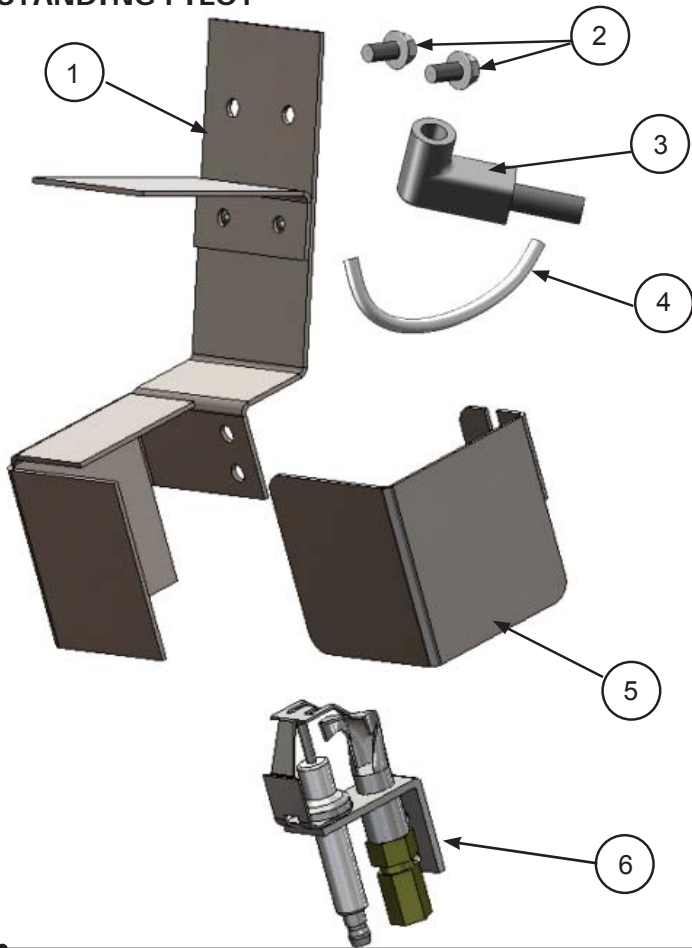


Item #	DESCRIPTION	Part Number	Qty.
1	PANEL - TOP 50	31621501	1
	PANEL - TOP 75 & 100	31621502	
	PANEL - TOP 125	31621503	
	PANEL - TOP 150	31621504	
	PANEL - TOP 175 & 200	31621505	
	PANEL - TOP & 250	31621506	
	PANEL - TOP & 300	31621507	
2	PANEL - LEFT 250-300	3162704	1
	PANEL - LEFT (L)50-200	3162706	
	PANEL - LEFT (L)250-300	3162707	
3	DRAFT DEFLECTOR 50	3162501	1
	DRAFT DEFLECTOR 75/100	3162502	
	DRAFT DEFLECTOR 125/150	3162503	
	DRAFT DEFLECTOR 175/200	3162504	
	DRAFT DEFLECTOR 250	3162505	
	DRAFT DEFLECTOR 300	3162506	
4	PNL LWR ACCES 50	109008534	1
	PNL LWR ACCES 75/100	109008535	
	PNL LWR ACCES 125/150	109008536	
	PNL LWR ACCES 175/200	109008537	
	PNL LWR ACCES 250	109008538	
	PNL LWR ACCES 300	109008539	
5	PANEL - BASE 50	3161201	1
	PANEL - BASE 75 & 100	3161202	
	PANEL - BASE 125 & 150	109008530	
	PANEL - BASE 175 & 200	109008531	
	PANEL - BASE 250	109008532	
	PANEL - BASE 300	109008533	

Item #	DESCRIPTION	Part Number	Qty.
6	PANEL - RIGHT 50-200	3162705	1
	PANEL - RIGHT 225-300	3162703	
7	PANEL - REAR 50	3162601	1
	PANEL - REAR 75 & 100	3162602	
	PANEL - REAR 125 & 150	3162603	
	PANEL - REAR 175 & 200	3162604	
	PANEL - REAR 250	3162605	
	PANEL - REAR 300	3162606	
8	FLUE COL 50	3462101	1
	FLUE COL 75	3462108	
	FLUE COL 100	3462102	
	FLUE COL 125	3462107	
	FLUE COL 150	3462103	
	FLUE COL 175	3462109	
	FLUE COL 200	3462104	
	FLUE COL 250	109008527	
FLUE COL 300	3462106		
9	DAMPER 4" 50	240006936	1
	DAMPER 5" 75	240006937	
	DAMPER 6" 100 & 125	240006938	
	DAMPER 7" 150 & 175	240006939	
	DAMPER 8" 200 & 250	240006940	
	DAMPER 9" 300	240006941	
10	PNL- UPPER ACCESS 50	31621201	1
	PNL- UPPER ACCESS 75&100	31621202	
	PNL- UPPER ACCESS 125	31621203	
	PNL- UPPER ACCESS 150	31621204	
	PNL- UPPER ACCESS 175 & 200	31621205	
	PNL- UPPER ACCESS 225 & 250	31621206	
PNL- UPPER ACCESS 275 & 300	31621207		

## REPLACEMENT PARTS - PILOT

### STANDING PILOT

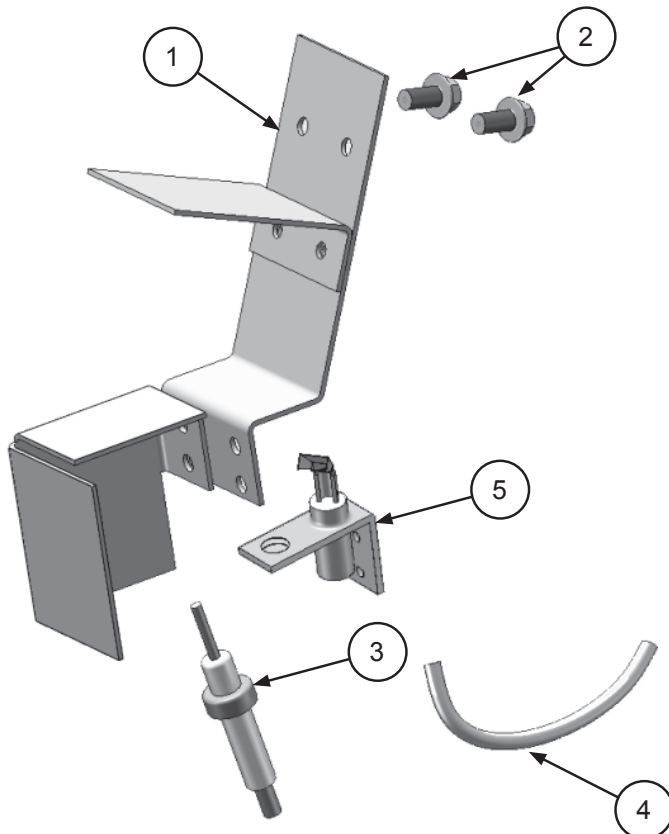


#### Spark Pilot Kit - Natural Gas 550001911 Spark Pilot Kit - LP/Propane 550001912

Item	Description	Qty.
1	PILOT BRACKET ASSEMBLY	1
2	BRACKET SCREW	2
3	SPARK CABLE	1
4	PILOT TUBING, 1/8" x 24"	1
5	Natural Gas Q345A PILOT	1
	LP Q345A Pilot	
6	Pilot Shield	1

\* Included with #3 - Pilot Tube Assembly Kit (above)

### CONTINUOUS PILOT

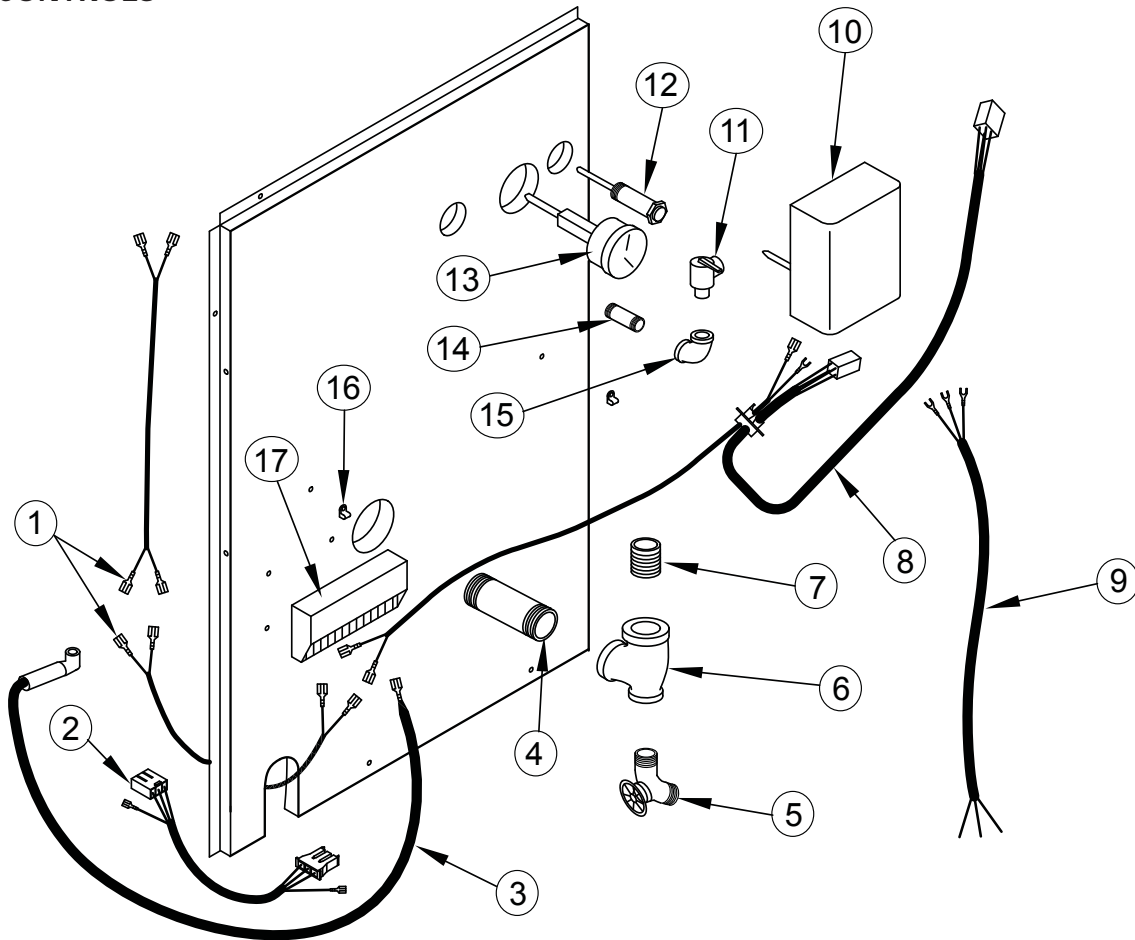


#### Continuous Pilot Kit - Natural Gas 550001926 Continuous Pilot Kit - LP/Propane 550001927

Item	Description	Qty.
1	PILOT BRACKET ASSEMBLY	1
2	BRACKET SCREW	2
3	THERMOCOUPLE Q309	1
4	PILOT TUBING, 1/8" x 24"	1
5	Natural Gas Q314A PILOT	1
	LP Q314A Pilot	

\* Included with #3 - Pilot Tube Assembly Kit (above)

PIPING & CONTROLS



ITEM	DESCRIPTION	P/N	QTY.
1	WIRE ROLLOUT/SPILL 28"	37513301	2
2	HARNESS IGN TO G/V 18"	37413602	1
3	PILOT IGNITION CABLE 30"	PB00702	1
4	PIPE - NPL 1.1/4X4.1/2 NPT	PF-006.07	1
5	DRAIN - SHORT	HW-016.03	1
6	PIPE - TEE 1.1/4X3/4X1.1/4	PF-008.03	1
7	PIPE - 1.1/4" CLOSE NPL	PF-006.01	1
8	WIRE LOW VOLTAGE/DAMPER	375-1-14.01	1
9	HARNESS CIRCULATOR 72"	37519501	1
10	CONTROL L8148E1257 (AQUASTAT)	1010002	1
11	RELIEF VALVE 30#	VR-001.01	1
12	WELL 3/4"X3"	AQ-020.01	1
13	GAUGE - THERALTIMETER	GA-001.00	1
14	PIPE - NPL 3/4"X4"	PF-005.11	1
15	PIPE - ELBOW 3/4" 90°	PF-002.04	1
16	CLAMP #3600 WHITE	EF03601	2
17	PLT SPARK CTRL S8600	PB00604	1

