

# BAXI

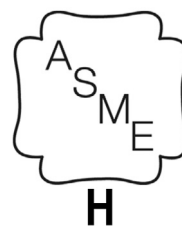
## DUO-TEC COMPACT 30 GA

en	<b>CONDENSING GAS FIRED WALL MOUNTED COMBINATION BOILER</b>
----	---

*Installation instructions for the installer*

fr	<b>CHAUDIÈRE MURALE À GAZ À CONDENSATION À DEUX SERVICES</b>
----	--

*Notice d'installation pour l'installateur*



# CONTENT

SAFETY INFORMATION .....	3
DEFINITIONS .....	3
SPECIAL ATTENTION BOXES .....	3
OTHER DEFINITIONS .....	3
BEFORE INSTALLING AND WHEN SERVICING THE BOILER .....	4
DURING BOILER OPERATION .....	4
BOILER WATER .....	4
FREEZE PROTECTION FLUIDS .....	4
HEATING APPLIANCE REMOVAL FROM A COMMON VENT SYSTEM .....	5
CONDENSATE REMOVAL SYSTEM .....	5
1. INTRODUCTION .....	6
2. TECHNICAL DATA .....	6
2.1 PERFORMANCE .....	6
2.2 PARAMETERS SETTING FOR HIGH ALTITUDE .....	7
2.3 SYSTEM .....	7
2.4 MAIN COMPONENTS .....	7
2.5 GENERAL INSTALLATION INFORMATION .....	8
2.6 ELECTRICAL .....	8
2.7 AVAILABLE PUMP HEAD FOR CENTRAL HEATING .....	8
2.8 SYSTEM VOLUME .....	9
2.9 BOILER SCHEMATIC .....	9
2.10 BOILER INFORMATION MENU .....	12
3. GENERAL BOILER INFORMATION .....	13
SERVICE CLEARANCES .....	13
3.1 SELECTING THE BOILER LOCATION .....	14
3.2 POSITIONING THE BOILER .....	14
3.3 FIT THE BOILER .....	14
3.4 FLUSHING THE SYSTEM .....	14
3.5 GAS SUPPLY .....	14
3.6 ELECTRICAL SUPPLY .....	15
3.7 AIR SUPPLY .....	15
3.8 DOMESTIC HOT WATER MODE .....	15
FOR DUO-TEC 40 AND 1.33 WITH INDIRECT TANK .....	15
3.9 FROST PROTECTION MODE .....	15
3.10 PUMP PROTECTION .....	15
3.11 GAS PIPING .....	15
4. VENT SYSTEM .....	16
INSTALLING EXHAUST VENT AND INTAKE AIR VENT .....	16
4.1 VENTING INSTRUCTIONS .....	17
CONCENTRIC VENT SUPPORT .....	18
FLUE OPTIONS .....	18
CONCENTRIC VENT SCREW PLACEMENT .....	19
SEPARATED HORIZONTAL FLUE TERMINALS INSTALLATION OPTIONS .....	20
SEPARATED FLUE TERMINALS .....	20
TWO PIPE VENT SUPPORT .....	21
5. BOILER LOCATION .....	23
6. CENTRAL HEATING SYSTEM .....	23
7. FILLING THE CENTRAL HEATING SYSTEM .....	24
8. TOXIC CHEMICALS .....	25
9. HEATING SYSTEM AND REFRIGERATION .....	25
10. INSTALLATION .....	25
10.1 CONNECT THE PIPEWORK .....	25
11. ELECTRICAL CONNECTIONS .....	25
11.1 CONNECTING THE 120 V ROOM THERMOSTAT .....	26
11.2 CONNECTING THE 24 V ROOM THERMOSTAT .....	26
11.3 MANAGEMENT OF 0-10V INPUT .....	27
11.4 ACCESSORIES .....	27
12. SPECIAL FUNCTIONS .....	30
12.1 COMMISSIONING .....	30
12.2 DE-AERATION FUNCTION .....	31
12.3 CHIMNEY SWEEP FUNCTION .....	31
12.4 COMBUSTION ADJUSTMENT FUNCTION (CO <sub>2</sub> %) .....	31
12.5 ERROR MESSAGES AND RESETTING THE BOILER .....	32
13. OPERATING THE BOILER .....	33
13.1 TESTING FOR GAS LEAKS AND PURGING THE GAS SUPPLY .....	33
13.2 BOILER CONTROLS .....	33
13.3 GAS VALVE .....	34
CHANGING THE TYPE OF GAS .....	34
14. PARAMETER SETTINGS .....	34
14.1 ADJUSTING MAXIMUM HEATING POWER .....	36
15. ANNUAL SERVICING .....	36
15.1 HYDRAULIC UNIT .....	37
15.2 FINAL COMMISSIONING .....	37
15.3 FINAL ASSEMBLY .....	38
15.4 USER INFORMATION .....	38
16. BOILER OPERATION .....	38
16.1 CENTRAL HEATING MODE .....	38
16.2 DOMESTIC HOT WATER MODE .....	38
16.3 FROST PROTECTION .....	38
16.4 PUMP .....	38
16.5 LWCO - LOW WATER CUT OFF .....	38
16.6 SAFETY FLUE THERMOSTAT .....	39
16.8 REPLACEMENT OF PARTS .....	39
AUTOMATIC CALIBRATION FUNCTION .....	39
17. ROUTINE SERVICING .....	40
IMPORTANT NOTES PRIOR TO SERVICING .....	40
18. COMPONENT REPLACEMENT AND PERIODIC CLEANING .....	41
18.1 DRAINING THE BOILER .....	41
18.2 ELECTRODES .....	41
20. WIRING DIAGRAMS .....	44

INSTALLER Section (en)

## Licensed Qualified Installer / Service Technician

Read all instructions in this manual, and the Boiler Venting section, before installation, servicing and maintenance. Perform steps in the order given.

## User

This manual is for use only by a licensed qualified heating installer/service technician.

Refer to User's Information Manual for your reference.

Have this boiler serviced/inspected by a Licensed qualified service technician annually.

After the commissioning make sure you are advised, and demonstrated if necessary, of all important points as described in section 3: "OPERATING THE BOILER".

## SAFETY INFORMATION

### DEFINITIONS

The following defined terms are used throughout this manual to bring attention to the presence of hazards of various risk levels or to important information concerning the product.

## SPECIAL ATTENTION BOXES

### DANGER

"DANGER" indicates an imminently hazardous situation which, if not avoided, will result in death or serious injury.

### WARNING

"WARNING" indicates a potentially hazardous situation which, if not avoided, could result in death or serious injury. If the information in this manual is not followed exactly, a fire or explosion may result causing property damage, personal injury or loss of life.

### CAUTION

"CAUTION" indicates a potentially damaging situation which, if not avoided, could result in minor injuries and substantial product or property damage.

### OTHER DEFINITIONS

**Licensed Qualified Installer / Service Technician** - any individual, firm, corporation or company that either directly or through a representative is engaged in the installation, replacement, repair or servicing of gas piping, venting systems, appliances, components, accessories, or equipment, and whose representative is either experienced and trained, in such work and has complied with the requirements of the authority having jurisdiction.

**STATE/FEDERAL REGULATIONS PERMIT THE INSTALLATION OF THIS PRODUCT ONLY BY AUTHORIZED GAS CONTRACTORS. HOWEVER, BAXI ADVISES THAT ONLY CONTRACTORS TRAINED IN THE SPECIFIC DETAILS OF THIS BAXI PRODUCT MUST UNDERTAKE INSTALLATION.**

**Service** - the supply, installation, or maintenance of goods carried out by a Qualified Installer / Service Technician.

**Gas Supplier** - A party that sells the commodity of Gas A (Natural Gas) or Gas E (LPG).

**Domestic** - Relating to household usage as opposed to commercial usage.

**Domestic Water** - Tap water (running water) is part of indoor plumbing.

**Combustion** - The act or process of burning; a process where two chemicals are combined to produce heat; a process wherein a fuel is combined with oxygen, usually at high temperature, releasing heat.

**Combustion Air** - Air that is drawn into an appliance to mix with fuel and support combustion.

**Flue** - an enclosed passageway for conveying combustion gases.

**Calibrate** - make fine adjustments or divide into marked intervals for optimal measuring.

**Appliance** - a device to convert gas into energy; the term includes any component, control, wiring, piping or tubing required to be part of the device.

**Boiler** - an appliance intended to supply hot liquid for space-heating, processing or power purposes.

**Two Pipe System** - This type of venting allows for exhaust flue and intake air piping to be separated from each other. Fresh air may be drawn in at a different site from where the flue terminal is located.



**BAXI** a leading European manufacturer of hi-tech boilers and heating systems, has developed CSQ-certified quality management (ISO 9001), environmental (ISO 14001) and health and safety (OHSAS 18001) systems. This means that BAXI S.p.A. includes among its objectives the safeguarding of the environment, the reliability and quality of its products, and the health and safety of its employees.  
Through its organisation, the company is constantly committed to implementing and improving these aspects in favour of customer satisfaction.



## WARNING

Failure to comply with the above could result in severe personal injury, death or substantial property damage. Failure to adhere to the guidelines on this page can result in severe personal injury, death or substantial property damage.

## WARNING

If the information in these instructions is not followed exactly, a fire or explosion may result causing property damage, personal injury or death.  
Do not store or use gasoline or other flammable vapors and liquids in the vicinity of this or any other appliance.

### WHAT TO DO IF YOU SMELL GAS

- Do not try to light any appliance.
- Do not touch any electrical switch; do not use any phone in your building.
- Immediately call your gas supplier or your licensed qualified service technician from a neighbor's phone. Follow the gas supplier's or licensed qualified personnel's instructions.
- If you cannot reach your gas supplier or your licensed qualified service technician, call the fire department.

## WARNING

Baxi recommends the use of a carbon monoxide detector in conjunction with the Baxi boiler product line. When installing a carbon monoxide detector, the manufacturer's instructions of the carbon monoxide detector must be followed in their entirety. It is recommended to use a carbon monoxide detector in compliance with a nationally recognised standard such as ANSI/UL 2034-2002 in the United States and CSA 6.19-01 in Canada.

## WARNING

Installation and service must be performed by a gas supplier or a licensed qualified installer / service Technician. If overheating occurs or the gas supply fails to shut off, do not turn off or disconnect the electrical supply to the pump. Instead, shut off the gas supply at a location external to the appliance". Do not use this boiler if any part has been under water. Immediately call a qualified service technician to inspect the boiler and to replace any part of the control system and any gas control which has been under water.

### BEFORE INSTALLING AND WHEN SERVICING THE BOILER

- To avoid electric shock, disconnect electrical supply before performing maintenance.
- To avoid severe burns, allow boiler to cool before performing maintenance.

### DURING BOILER OPERATION

- Do not block flow of combustion or intake air to boiler.
- If overheating occurs or gas supply fails to shut off, do not turn off or disconnect electrical supply to circulator. Instead, shut off the gas supply at a location external to the appliance.
- Do not use this boiler if any part has been under water. Immediately call a qualified service technician to inspect the boiler and to replace any part of the control system and any gas control that has been under water.

### BOILER WATER

- If you have an old system with cast iron radiators, thoroughly flush the system (without boiler connected) to remove sediment. The high-efficiency heat exchanger can be damaged by build-up or corrosion due to sediment.
- Do not use petroleum-based cleaning or sealing compounds in boiler system. Gaskets and seals in the system may be damaged. This can result in substantial property damage.
- Do not use "homemade cures" or "boiler patent medicines." Substantial property damage, damage to boiler, and/ or serious personal injury may result.
- Continual fresh make-up water will reduce boiler life. Mineral build up in heat exchanger reduces heat transfer, overheats the stainless steel heat exchanger, and causes failure. Addition of oxygen carried in by make-up water can cause internal corrosion in system components. Leaks in boiler or piping must be repaired at once to prevent make-up water.
- We recommend the use of water treatment additives to prolong the life of the boiler and prevent against corrosion and contaminant build ups in the heating system.
- Ensure piping in the heating system has an oxygen barrier.

### FREEZE PROTECTION FLUIDS

## CAUTION

Never use automotive or standard glycol antifreeze, or even ethylene glycol made for hydronic systems. Use only inhibited propylene glycol solutions, which are specifically formulated for hydronic systems. Ethylene glycol is toxic and can attack gaskets and seals used in hydronic systems. Ensure that the glycol used never exceeds 35% of the systems volume as this may damage the systems components.  
Consider piping and installation when determining boiler location. Any claims for damage or shortage in shipment must be filed immediately against the transportation company by the consignee.

## HEATING APPLIANCE REMOVAL FROM A COMMON VENT SYSTEM

At the time of removal of an existing heating appliance, the following steps shall be followed with each appliance remaining connected to the common vent system placed in operation, while the other appliances remaining connected to the common vent system are not in operation.

- Seal any unused openings in the common vent system.
- Visually inspect the venting system for proper size and horizontal pitch to determine if there is blockage, leakage, corrosion or other deficiencies that could cause an unsafe condition.
- If practical, close all building doors, windows and all doors between the space in which the appliance remains connected to the common vent system and other spaces in the building. Turn on clothes dryers and any appliances not connected to the common vent system. Turn on any exhaust fans, such as range hoods and bathroom exhausts, at maximum speed. Do not operate a summer exhaust fan. Close all fireplace dampers.
- Place in operation the appliance being inspected. Follow the lighting instructions. Adjust the thermostat so the appliance will operate continuously.
- Test for spillage at the draft hood relief opening after 5 minutes of main burner operation. Use the flame of a match or candle.
- After it has been determined that each appliance remaining connected to common venting system properly vents when tested as outlined, return doors, windows, exhaust fans, fireplace dampers and any other gas burning appliance to their previous condition of use.
- Any improper operation of the common vent system must be corrected so the installation conforms to the National Fuel Gas Code, ANSI Z223.1.

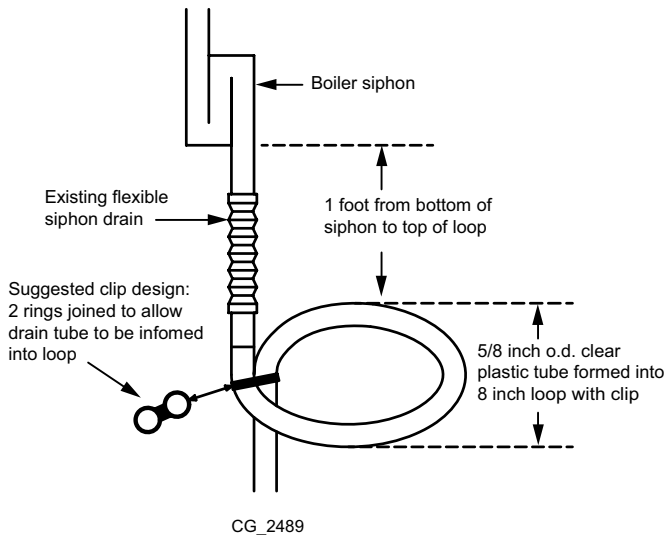
When resizing any portion of the common vent system, the common vent system must be resized to approach the minimum size as determined using the appropriate tables in Appendix G in the National Fuel Gas Code, ANSI Z 223.1.

## WARNING

**Verify proper operation after servicing.**

## CONDENSATE REMOVAL SYSTEM

This is a condensing high efficiency appliance; therefore this unit has a condensate removal system. Condensate is nothing more than water vapor, derived from the combustion products. It is very important that the condensate line is sloped away from the boiler and down to a suitable inside drain. A condensate filter, if required by local authorities can be made up of lime crystals; marble or phosphate chips that will neutralize the condensate. This can be done in the field by the installer. It is also very important that the condensate line is not exposed to freezing temperatures, or any other type of blockage. Plastic tubing must be the only material used for the condensate line. Steel, brass, copper or others will be subject to corrosion or deterioration. A second vent may be necessary to prevent condensate line vacuum lock if a long horizontal run is used. Also, an increase in pipe size may be necessary to drain properly. Support of the condensation line may be necessary to avoid blockage of the condensate flow.



## CAUTION

**The condensate line must remain unobstructed, allowing free flow of condensate. If condensate is allowed to freeze in the line or if the line is obstructed in any other manner, condensate can exit from the boiler condensate trap, resulting in potential water damage to property.**

### Note:

Use materials approved by the authority having jurisdiction. In the absence of other authority, PVC and CPVC pipe must comply with ASTM D1785, F441 or D2665. Cement and primer must comply with ASTM D2564 or F493. For Canada, use CSA or ULC certified PVC or CPVC pipe, fittings and cement. When installing a condensate pump, select one approved for use with condensing boilers and furnaces. The pump should have an overflow switch to prevent property damage from condensate spillage. Condensate from the Boiler will be slightly acidic (typically with a pH from 3.0 to 4.0). Install a neutralizing filter if required by local codes.

# 1. INTRODUCTION

The Condensing boiler is a wall hung, fan assisted room-sealed combination boiler. The boiler, providing both central heating and domestic hot water at street pressure, is designed for use with a fully pumped, sealed and pressurized heating system. The boiler is supplied with a pump, diverter valve, pressure relief valve, expansion tank and pressure gauge fully assembled and tested. As supplied, the boiler will automatically modulate to provide central heating outputs between 15,350 and 85,400 Btu/h (4.5 and 25.0 kW). The maximum output available for domestic hot water is 105,500 btu/h (30.9 kW), capable of providing 2.50 (U.S.) gpm (11.4 litres/min) with a temperature rise of 70°F/39°C.

## WARNING

**It is the law that all gas appliances are installed by a competent person. It is in your own interest and that of safety to ensure that the law is complied with.**

- In the United States, the installation must conform to the requirements of the authority having jurisdiction or, in the absence of such requirements, to the National Fuel Gas Code, ANSI Z223.1/NFPA 54. Where required by the authority having jurisdiction, the installation must conform to the Standard for Controls and Safety Devices for Automatically Fired Boilers, ANSI/ASME CSD-1. Safe lighting and other performance criteria were met with the gas manifold and control assembly provided on the boiler when the boiler underwent tests specified in ANSI Z21.13-latest edition.
- In Canada, the installation must conform with CGA B149.1 INSTALLATION CODE and/or local installation Code, plumbing or waste water codes and other codes as applicable.
- Clearances from and protection of combustible material.
- Manufacturer's instructions must NOT be taken in anyway as over-riding statutory obligations.

## 2. TECHNICAL DATA

### 2.1 PERFORMANCE

Central Heating		MAX		MIN
		0-2,000 Ft 0-610 m	2,000-4,500 Ft 610-1,370 m	
Heat Input (Gross)	Btu/h	93,550	88,873	16,650
	kW	27.4	26.0	4.9
Heat Output (modulating)	Btu/h	85,400	81,130	15,350
	kW	25.0	23.8	4.5
Gas Rate A (Natural Gas)	ft <sup>3</sup> /h	92.08	87.14	16.58
	m <sup>3</sup> /h	2.61	2.47	0.47
Gas Rate E (LPG Gas)	ft <sup>3</sup> /h	36.34	34.57	6.35
	m <sup>3</sup> /h	1.03	0.98	0.18
Max. CH Water Temp. (Approx.)	°F	176		
	°C	80		

Domestic Hot Water		MAX		MIN
		0-2,000 Ft 0-610 m	2,000-4,500 Ft 610-1,370 m	
Heat Input (Gross)	Btu/h	115,500	109,725	16,650
	kW	33.8	32.2	4.9
Heat Output (modulating)	Btu/h	105,500	100.225	15,350
	kW	30.9	29.4	4.5
Gas Rate A (Natural Gas)	ft <sup>3</sup> /h	113.60	107.96	16.58
	m <sup>3</sup> /h	3.22	3.06	0.47
Gas Rate E (LPG Gas)	ft <sup>3</sup> /h	44.81	42.63	6.35
	m <sup>3</sup> /h	1.27	1.21	0.18
Flow Rate at 70 °F/ 39 °C Rise		2.50 gpm (U.S.) - 11.4 l/min		
Max. DHW Water Temp. (Approx.)	°F	140		
	°C	60		

INSTALLER Section (en)

## 2.2 PARAMETERS SETTING FOR HIGH ALTITUDE

DUO-TEC COMPACT 30	Natural gas (A) 17.4 mbar 7.0 in w.c.		LP gas (E) 27.4 mbar 11.0 in w.c.	
	0 - 2000 Ft 0 - 610 m	2000 - 4500 Ft 610 - 1370 m	0 - 2000 Ft 0 - 610 m	2000 - 4500 Ft 610 - 1370 m
Parameter P71 * Fan Speed (rpm)	220 7,200	190 6,900	220 7,200	190 6,900
Parameter P72 * Fan Speed (rpm)	55 1,300		55 1,300	
CO Limit (ppm)	<400			

\* To modify the fan speed see section 14.

In case of high altitude installation perform the automatic calibration function (see section 16.8).

Above 2000 ft (610 m), the boiler will derate by 4% for each 1000 ft (305 m) of altitude gain.

## 2.3 SYSTEM

Central Heating (Sealed System)	
Max System Pressure	30.00 psi / 2.11 bar
Min System Pressure	7.25 psi / 0.50 bar
Max System temperature	176°F / 80°C
Pressure Relief Valve Setting	30.00 psi / 2.11 bar
Expansion Tank Size (pre-charge press.)	1.5 gal / 7.0 l at 11.6 psi / 0.8 bar
Flow Connection	3/4" / 22.2 mm
Return Connection	3/4" / 22.2 mm
Relief Valve Connection	3/4" / 22.2 mm
Recommended System Pressure (cold)	21.7 psi / 1.5 bar

Domestic Hot Water	
Max Inlet Water Pressure	116 psi / 8 bar
Min Inlet Water Pressure	2.9 psi / 0.2 bar
Min DHW Flow Rate	0.55 gpm / 2.50 l/min
Cold Water Inlet Connection	1/2" / 15.9 mm
DHW Outlet Connection	1/2" / 15.9 mm
Max DHW Temperature	140°F / 60°C
DHW Water Content	0.05 gal / 0.23 l

## 2.4 MAIN COMPONENTS

Burner	Stainless Steel
Main Heat exchanger	Stainless Steel
DHW Heat exchanger	Stainless Steel
Pump	Grundfos UPR 15 - 58
Fan	EBM PAPST NGR 118/0800
Gas Valve	BERTELLI & PARTNERS SGV 100
Diverter Valve	ELBI INTERNATIONAL

## 2.5 GENERAL INSTALLATION INFORMATION

Dimensions	Height	27.56 in / 700.00 mm
	Width	15.75 in / 400.00 mm
	Depth	11.77 in / 299.00 mm
Gas Connection		3/4"
Primary Water Content		0.95 gal / 3.60 l
Air Vent Diameter		3.93 in / 100.00 mm
Flue Vent Diameter		2.36 in / 60.00 mm

Minimum Clearances for Servicing		
	Top	9.84 in / 250.00 mm
	Bottom	9.84 in / 250.00 mm
	Sides	1.77 in / 45.00 mm
	Front	17.71 in / 450.00 mm
Flue Terminal Size Concentric System		3.93 in / 100.00 mm
Flue Terminal Size 2-Pipe Flue System		3.14 in / 80.00 mm
Flue Terminal Protruding		4.52 in / 115.00 mm
Lift Weight		102.51 in / 46.50 mm

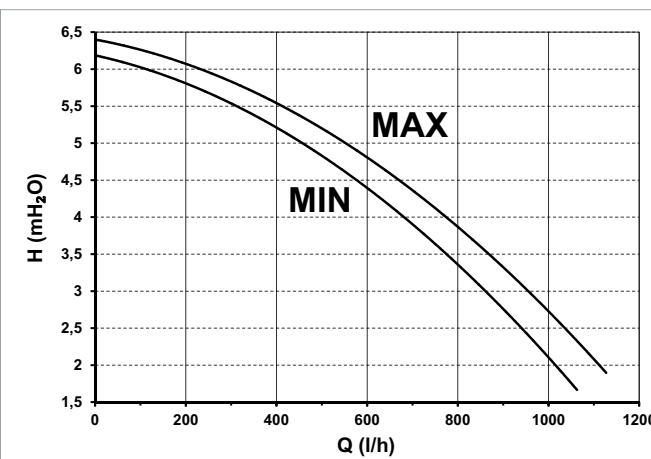
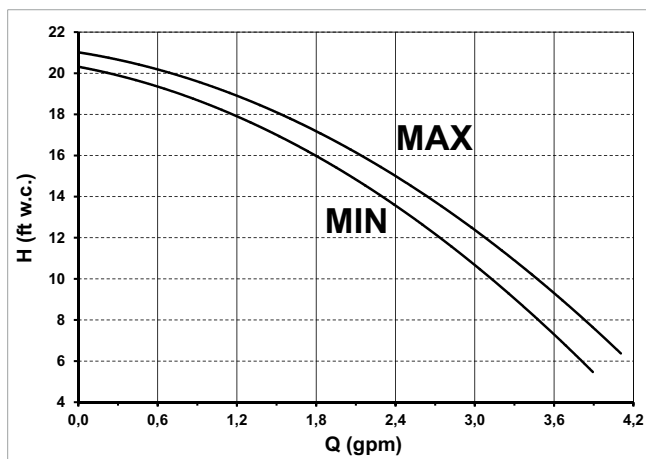
## 2.6 ELECTRICAL

Supply	120 V - 60 Hz
Power Consumption	427 Btu / h - 125 W
Internal Fuse	F 3.15 A
Electrode Spark Gap	1/8" to 3/16" 13.5 to 4.5 mm

## 2.7 AVAILABLE PUMP HEAD FOR CENTRAL HEATING

This is a high static head pump fit for installation on any type of single or double-pipe heating systems. The automatic air valve incorporated in the pump allows quick venting of the heating system.

<b>Q</b>	WATER FLOW RATE	<b>MIN</b>	Minimum speed of modulation
<b>H</b>	HEAD	<b>MAX</b>	Maximum speed of modulation





## 2.8 SYSTEM VOLUME

Based on 30.00 psi / 2.11 bar safety valve setting

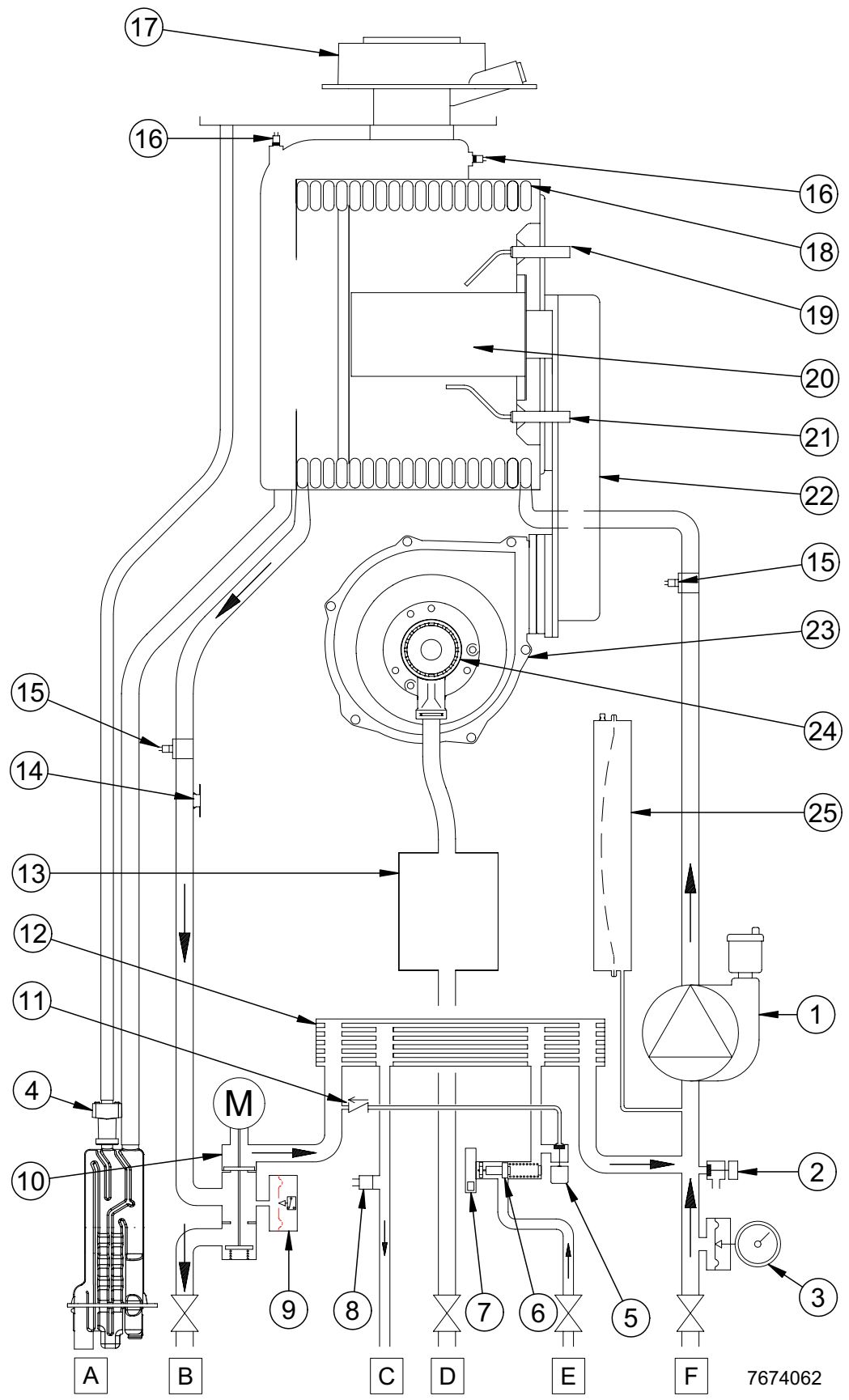
Expansion tank charge and initial system pressure	bar	0.5	1.0	1.5
	psi	7.25	14.50	21.70
Total water content of system using 2.2 gal / 10.0 l capacity expansion tank supplied with appliance	Litre	120	91	64
	gal	26.4	20.0	14.1
For systems having a larger capacity MULTIPLY the TOTAL system capacity in gallons (litres) by the factor to obtain the TOTAL MINIMUM expansion tank capacity required in gallons (litres)		0.0833	0.1090	0.1560

### Note:

When the boiler is operating at maximum operating temperature, providing heating with all heat emitters operating, the pressure gauge should not indicate more than 26.11 psi / 1.80 bar. If the reading exceeds this figure an additional expansion tank is required.

## 2.9 BOILER SCHEMATIC

- With a demand for heating, the pump circulates water through the primary circuit.
- The combustion fan will then come on and begin to run at ignition speed.
- Once the fan reaches ignition speed the control board will allow power to flow to the spark generator and gas valve creating ignition in the combustion chamber. The flame sensor will acknowledge the presence of a flame in the combustion chamber and send a signal to the control board.
- The temperature sensor will send a signal to the control board allowing the control board to increase / decrease the speed of the fan. The combustion fan will in turn modulate the gas rate accordingly.
- Once the central heating loop temperature exceeds the central heating loop setpoint the unit will shutdown and go through a 3 minute time delay (burner pause time) before another call for heat.
- During this time the pump will run for an additional three minutes to dissipate any residual heat.



7674062

<b>1</b>	Pump with air separator
<b>2</b>	Boiler drain tap
<b>3</b>	Pressure gauge
<b>4</b>	Condensate sensor
<b>5</b>	Boiler filling tap
<b>6</b>	Flow sensor with water filter and flow restrictor
<b>7</b>	DHW priority sensor
<b>8</b>	NTC DHW sensor
<b>9</b>	Low Water Cutoff
<b>10</b>	3-way valve with motor
<b>11</b>	Check valve
<b>12</b>	DHW heat exchanger
<b>13</b>	Gas valve
<b>14</b>	Water safety thermostat
<b>15</b>	NTC heating sensor (flow/return)
<b>16</b>	Flue sensor
<b>17</b>	Coaxial connector
<b>18</b>	Primary exchanger
<b>19</b>	Ignition electrode
<b>20</b>	Burner
<b>21</b>	Flame detection electrode
<b>22</b>	Air/gas blend manifold
<b>23</b>	Fan
<b>24</b>	Mixer
<b>25</b>	Expansion tank
<b>A</b>	Condensate Trap
<b>B</b>	Heating supply connection
<b>C</b>	DHW outlet
<b>D</b>	Gas inlet connection
<b>E</b>	Cold water inlet connection
<b>F</b>	Heating return connection

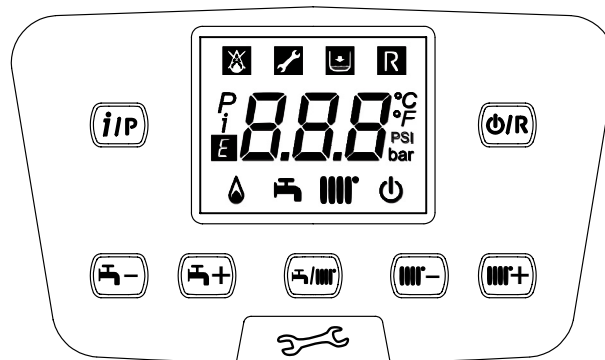
## 2.10 BOILER INFORMATION MENU

Press and hold down **i/P** for at least 1 second, to display the information indicated in the table. Press **⊕/R** to exit.

<b>i</b>	DESCRIPTION	<b>i</b>	DESCRIPTION
<b>00</b>	Secondary fault internal code	<b>09</b>	Setpoint Central Heating (°F/°C)
<b>01</b>	Heating flow temperature (°F/°C)	<b>10/11</b>	Manufacturing information
<b>02</b>	Outdoor temperature (°F/°C)	<b>12</b>	Flue sensor temperature (°F/°C)
<b>03</b>	Indirect Tank DHW temperature (boiler CH only)	<b>13</b>	Manufacturing information
<b>04</b>	Domestic hot water temperature (boiler with plate exchanger)	<b>14</b>	Identification Open Therm communication
<b>05</b>	Water pressure in heating system (PSI/bar)	<b>15</b>	Manufacturing information
<b>06</b>	Heating return temperature (°F/°C)	<b>16</b>	Manufacturing information
<b>07</b>	Thermo fuse status (000/001)	<b>17</b>	Fan speed ("i17"x100)
<b>08</b>	Not used	<b>18</b>	Manufacturing information

### BUTTONS Key

	DHW temperature adjustment (+ to increase the temperature and - to decrease it)
	Heating water temperature adjustment (+ to increase the temperature and - to decrease it)
	Boiler operating information
	Operating mode: DHW – DHW & Heating – Heating Only
	Off – Reset – Exit menu/functions

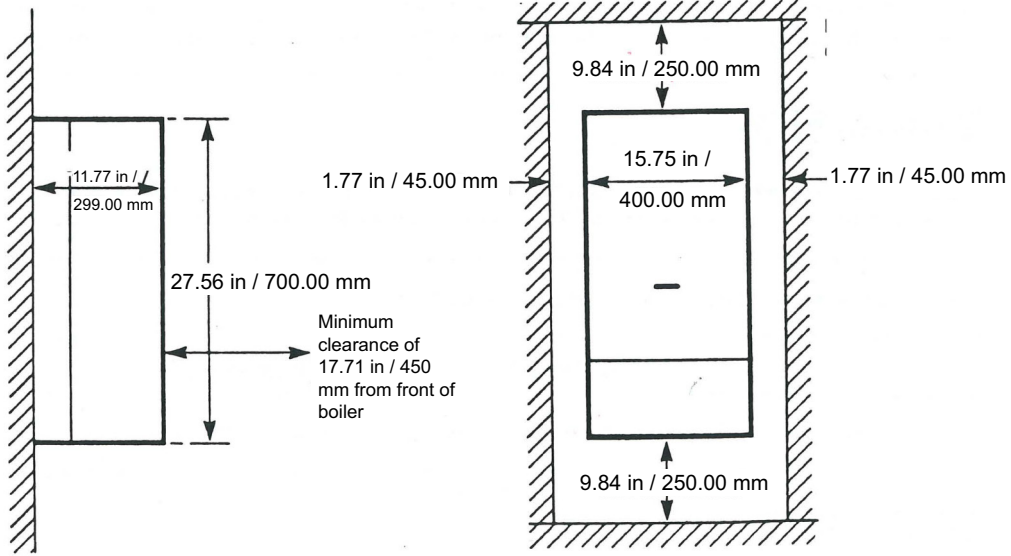


### SYMBOLS Key

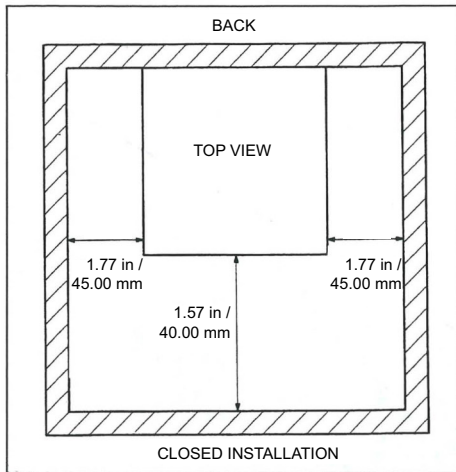
	Off: heating and DHW disabled (only boiler frost protection is active)		Burner lit
	Ignition fault		DHW operating mode enabled
	Boiler/system water pressure low		Heating mode enabled
	Call a qualified service technician	<b>P</b>	Programming menu
<b>R</b>	Manually resettable fault ()	<b>i</b>	Boiler information menu
<b>E</b>	Fault in progress	°C, °F, bar, PSI	Set unit of measurement (SI/US)

### 3. GENERAL BOILER INFORMATION

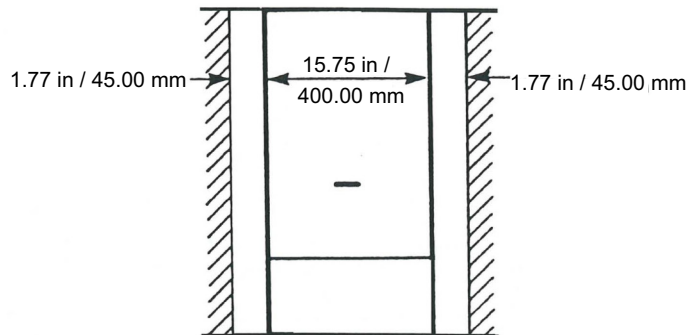
#### SERVICE CLEARANCES



#### CLEARANCES REQUIRED FOR CLOSET INSTALLATION



#### CLEARANCES FOR COMBUSTIBLES



0 in / 0 mm between the Back of the Unit and the wall

**Note:**

It is recommended that service clearances are considered when locating a suitable area for the unit.

### WARNING

- The boiler must not be installed on carpeting.
- Keep boiler area clear and free from flammable vapors and liquid.

### 3.1 SELECTING THE BOILER LOCATION

1. Check for nearby connections to:
  - System water piping
  - Venting connections
  - Gas supply piping
  - Electrical power
2. Check the area around the boiler. Remove any combustible materials, gasoline and other flammable liquids.
3. Ensure the Boiler's gas control system components are protected from dripping or spraying water.

## WARNING

**Failure to keep boiler area clear and free of combustible materials, gasoline and other flammable liquids and vapors can result in severe personal injury, death or substantial property damage.**

### 3.2 POSITIONING THE BOILER

- Decide the position of the boiler taking into account the clearances required for servicing and the flue terminal position.

## WARNING

**Remove any combustible materials, gasoline and other flammable liquids away from the hot water pipes.**

- Tape the template to the wall (ensure it is level and upright) and mark the position of the holes for the boiler mounting bracket and plumbing connections. If rear exit flue is to be used, mark the position of the hole for the flue.
- If side exit flue is to be used, continue to mark the horizontal centre line of the flue across the wall to the side wall, then along the side wall (ensure the lines are parallel and sloped properly towards the boiler, refer to section 4 "VENT SYSTEM"). This will give the position of the centre of the hole for the flue.
- Cut the 4.33 in / 110.00 mm diameter hole in the wall for the concentric flue.

### 3.3 FIT THE BOILER

- Lift the boiler and hang it on the wall.
- Adjust the position of the boiler.

### 3.4 FLUSHING THE SYSTEM

- You must thoroughly flush the system (without boiler connected) to remove sediment. The high-efficiency heat exchanger can be damaged by build up or corrosion due to sediment.

**Note:**

**It is recommended that a water treatment product be utilized for sediment removal.**

- For zoned systems, flush each zone separately through a purge valve. (If purge valves and isolation valves are not already installed, install them to properly clean the system.)
- Flush system until water runs clean and you are sure piping is free of sediment.

## CAUTION

**For installation that incorporates standing Iron Radiation and systems with manual vents at the high points. Starting with the nearest manual air vent, open vent until water flows out, then close vent. Repeat procedure, working your way toward furthest air vent. It may be necessary to install a basket strainer in an older system where larger amounts of sediment may be present. Annual cleaning of the strainer may be necessary.**

### 3.5 GAS SUPPLY

DUO-TEC COMPACT 30 requires a gas rate of 113.60 ft<sup>3</sup>/h (3.22 m<sup>3</sup>/h) for Gas A (Natural Gas) and 107.96 ft<sup>3</sup>/h (3.06 m<sup>3</sup>/h) for Gas E (Liquid Propane Gas).

The meter and supply pipes must be capable of delivering this quantity of gas in addition to the demand from any other appliances in the house. The boiler requires at least a 3/4 in / 19.5 mm gas supply pipe.

## WARNING

**The boiler and its gas connections must be leak tested before placing the boiler in operation.**

### 3.6 ELECTRICAL SUPPLY

The boiler requires a 120V 60Hz power supply. Ensure the electrical supply is polarized.

**The boiler must be grounded.**

There must only be one common isolator, providing complete electrical isolation, for the boiler and any external controls.

Using PVC insulated cable 12 AWGx3C 221°F 105 °C.

All wiring must be installed in accordance with requirements of National Electrical Code and any additional national, state, or local code requirements having jurisdiction. All wiring must be N.E.C. Class 1. Boiler must be electrically grounded in accordance with the National Electrical Code, ANSI/NFPA No. 70-latest edition.

In Canada, installation must conform to CSA C22.1 Canadian Electrical Code Part 1 and any local codes.

#### 3.6.1 Install Room Thermostat

Install room thermostat on an inside wall. Never install where it will be influenced by drafts, hot or cold water pipes, lighting fixtures, television, sun rays or near a fireplace.

### 3.7 AIR SUPPLY

The boiler does not require any air vents in the room in which it is installed, or when installed in a cupboard or compartment.

### 3.8 DOMESTIC HOT WATER MODE

#### WARNING

**Water temperature over 125° F (51°C) can cause severe burns instantly, or death from scalds. Children, disabled, and elderly are at highest risk of being scalded. See user's instructions before setting the water temperature.**

- Priority is given to the domestic hot water supply. A demand at a tap or shower will override any central heating requirement.
- The flow of water will operate the DHW flow switch which requests the 3 way valve to change position. This will allow the pump to circulate the primary water through the DHW plate heat exchanger.
- The combustion fan will then come on and begin to run at ignition speed.
- Once the fan reaches ignition speed the control board will allow power to flow to the spark generator and gas valve creating ignition in the combustion chamber. The flame sensor will acknowledge the presence of the flame in the combustion chamber and send a signal to the control board.
- The temperature sensors will send a signal to the control board allowing the control board to increase/ decrease the speed of the fan. The combustion fan will in turn modulate the gas rate accordingly.
- When the domestic hot water demand ceases the burner will extinguish, unless there is a demand for central heating.

#### 3.9 FROST PROTECTION MODE

The frost protection mode is integrated into the appliance when left in the domestic hot water or central heating position. If the temperature falls below 41°F / 5° C the boiler will fire on its minimum setting until a flow temperature of 86°F / 30° C is reached.

#### 3.10 PUMP PROTECTION

The pump will automatically operate for 1 minute in every 24 hours to prevent ceasing.

#### 3.11 GAS PIPING

Run the gas supply line in accordance with all applicable codes.

Locate and install the manual shutoff valve before the gas valve as shown in section 3: "GENERAL BOILER INFORMATION", in accordance with state and local requirements.

#### WARNING

**A sediment trap must be provided upstream of the gas controls.**

#### 3.12 FILLING THE CONDENSATE TRAP

#### CAUTION

**Fill the condensate trap before starting the boiler to avoid combustion products escaping from the boiler.**

## 4. VENT SYSTEM

### GENERAL

- Install the boiler / venting system in accordance with these instructions and with the National Fuel Gas Code, ANSIZ223.1/ NFPA 54, CAN/CSA B149.1, and/or applicable provisions of local building codes.
- This boiler is a direct vent appliance according to ANSI Z21.13/CSA4.9 standard.

### EXHAUST VENT AND INTAKE AIR VENT

This boiler is a direct vent appliance according to ANSI Z21.13/CSA4.9 standard. The intake and exhaust venting methods are detailed in the section 4: "VENT SYSTEM". Do not attempt to install the Boiler using any other means. Be sure to locate the boiler such that the air intake and exhaust vent piping can be routed through the building and properly terminated.

## DANGER

**Ensure the exhaust and intake vent piping comply with these instructions regarding the vent system. Inspect finished combustion air intake and exhaust piping thoroughly to ensure all joints are well secured and airtight and comply with all applicable code requirements, as well as with the instructions provided in this manual. Failure to provide a properly installed vent system will cause severe personal injury or death.**

## WARNING

**This vent system will operate with a positive pressure in the pipe. Do not connect vent connectors serving appliances vented by natural draft into any portion of mechanical draft systems operating under positive pressure. Follow the venting instructions below carefully. Failure to do so may result in severe personal injury, death, or substantial property damage.**

- **Do not use Foam Core Pipe or Cellular Foam Core Pipe in any portion of the venting from this boiler. Use of Foam Core Pipe or Cellular Foam Core Pipe may result in severe personal injury, death, or substantial property damage.**

### • Determine exhaust vent location:

- a) See illustration within this section of clearances for the location of the exit terminals of direct-vent venting systems.
- b) Provide a minimum of 12"(305mm) in the united states and 36"(0.9m) in Canada distance from any door, operable window, or gravity intake into any building.
- c) Provide a minimum of 1.00 ft / 0.30 m clearance from the bottom of the exhaust above the grade (snow removal may be necessary to maintain clearance).
- d) In the United States provide a 3 ft/ 0.92 m horizontal clearance and in Canada a 3.00 ft / 0.92 m clearance from electrical meters, gas meters, gas regulators and relief equipment. In no case shall the exit terminal be above or below the aforementioned equipment within a height of 15 ft (4.5 m) unless the 3 ft (0.92 m) horizontal distance is maintained.
- e) Do not locate the exhaust over public walkways where condensate could drip and/or freeze and create a nuisance or hazard.
- f) When adjacent to a public walkway, locate exit terminal at least 7.00 ft / 2.13 m above grade.
- g) Do not locate the exhaust directly under roof overhangs to prevent icicles from forming.
- h) Provide a 6 in / 152 mm clearance from the inside corner of vertical walls, chimneys, etc., as well as horizontal corners created by roof overhangs.

### • Determine air intake vent location.

- a) Provide 1.00 ft / 0.30 m clearance from the bottom of the intake air vent and the grade.
- b) Do not locate intake air vent in a parking area where machinery may damage the pipe.
- c) When venting with a two-pipe system. Minimum distance between exhaust vent and intake air vent on a single boiler is 4.72 in / 120.00 mm center-to-center.

## INSTALLING EXHAUST VENT AND INTAKE AIR VENT

## DANGER

**Ensure that the flow of combustion and ventilation air are not obstructed. BAXI urges users to install CO detectors in buildings where the boiler is located, even though such detectors may not be required by local law. CO detectors should be calibrated regularly as specified by the manufacturer.**

### Note:

To fix flue pipes to the wall, supports should be approximately 3.28 feet (1 meter) from each other. Supports should be fixed along the joint point of each pipe.



## 4.1 VENTING INSTRUCTIONS

### WARNING

Do not use in the same installation venting accessories of different manufacturers, mix of venting accessories is strictly forbidden.

### CAUTION

Read carefully the venting instructions contained in this manual and the ones supplied by the vent manufacturer, in case of discrepancies the venting instruction of this manual must be respected.

#### 4.1.1 Concentric venting

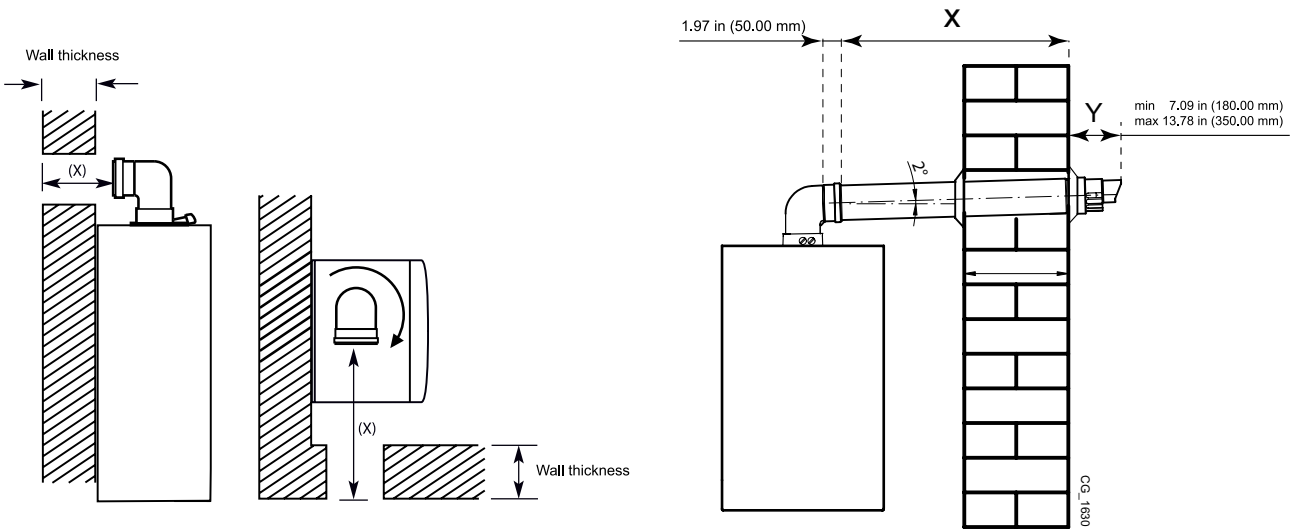
- Examine all components for possible shipping damage, prior to installation.
- This venting system must be free to expand and contract.
- The venting system must be supported in accordance with these instructions.
- The vent system must have unrestricted movement through walls, ceilings and roof penetrations.
- Check for proper joint construction when joining pipe to fittings.
- If venting is penetrating ceilings and floors, the openings must have firestopping provided in joist areas and the installation of firestop spacer assemblies.
- Roof flashing parts are shown in the manual. Standard roof flashing methods must be employed to install the roof flashing.
- Wall and roof openings must be framed to provide support and the attachment of termination assemblies.

**Please Note:**

The manual uses the terms 'vent' , 'venting' and 'flue' interchangeably. All references to 'flue' are synonymous with 'vent' or 'venting'.

### WARNING

Check all measurements before cutting. Clearance to combustibles materials when using a concentric vent system is zero.

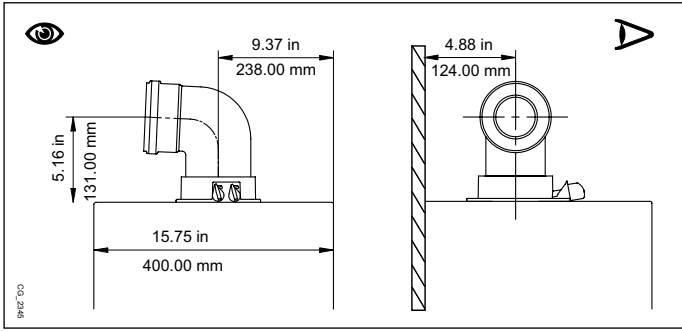


### WARNING

All concentric venting must be fastened together using screws.

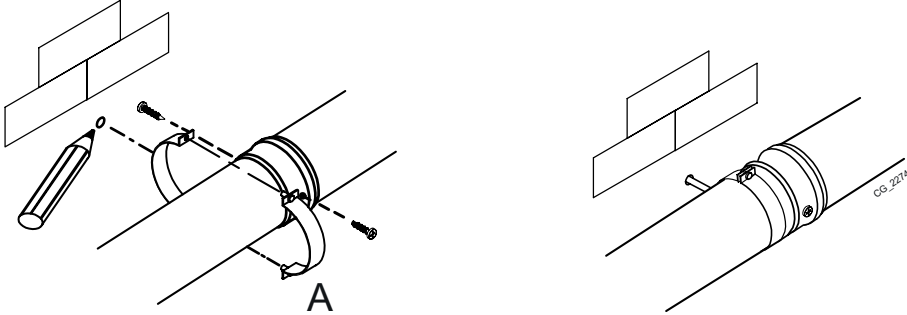
**Note:** Dual flue venting is not to be fastened with screws. This procedure only pertains to concentric venting.

## Concentric Vent Support



All venting must be supported every 39" (1 m) with a fixed clamp.

### A: steel strapping or equivalent



### Note:

Ensure that the vent is sloped towards the boiler approximately 0.79 in for every 3.28 ft (2.00 cm for every 1.00 m).

For horizontal flues a minor deviation from the horizontal is allowable, provided it results in a downward slope towards the boiler. For the vertical flue terminal assembly refer to the separate installation instructions supplied with the assembly. Additional flue components are available as follows:

45° bend	1.64 ft / 0.50 m
90° bend	3.28 ft / 1.00 m

- Locate the flue elbow on the adaptor at the top of the boiler. Set the elbow to the required orientation (rear, right or left).
- Measure the distance from the outside wall face to the elbow. This dimension will be known as 'X'.
- To dimension 'X' add "Y" + 2 in (50 mm). This is the total dimension of the vents.
- Taking the air vent, mark the above dimension. Measure the length of waste material, and transfer the dimension to the flue.
- Remove the waste from both vents (flue and air vents). Ensure that the cut ends are square and free from burrs.
- Insert the flue into the intake air vent and pass them through the hole in the wall

## WARNING

- **Check all measurements before cutting. Clearance to combustible materials when using a concentric vent system is zero.**
- **After installing vents make sure that there is no recirculation of combustion by using a regularly calibrated analyzer.**
- **Ensure a minimum downward slope of 0.79 in / 2.00 mm for every 3.28 ft / 1.00 m of the flue length toward the boiler at least 2°.**
- **Ensure that the terminal is positioned with the slots to the bottom.**

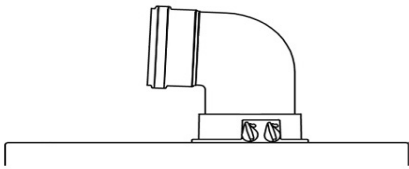
### Flue Options

- The boiler can be fitted with flue systems as illustrated.
- Any additional "in line" bends in the flue system must be taken into consideration.

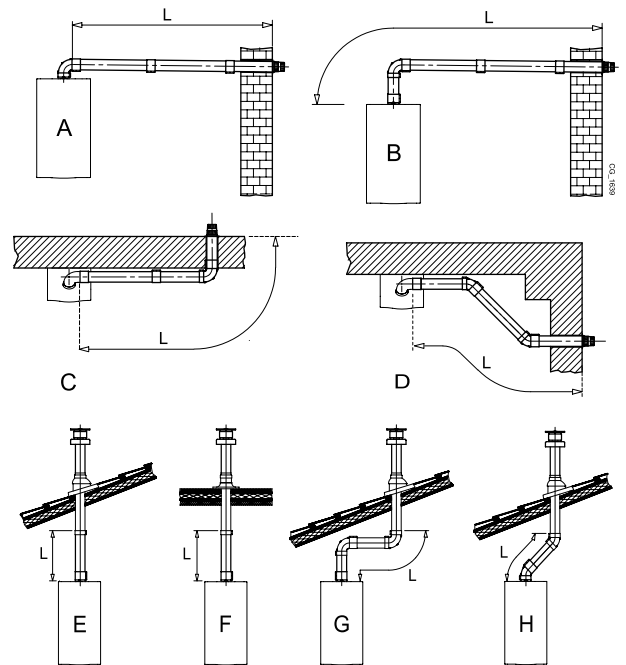
45° bend	1.64 ft / 0.50 m
90° bend	3.28 ft / 1.00 m

The elbow supplied with the standard flue is not included in any equivalent length calculations

- The illustrations below show examples of maximum equivalent lengths.
- Instructions for guidance and fittings are included in each kit.



L MAX - Ø 60/100 mm	
BAXI (Natalini) - Duravent - Centrotherm	
A B	32.80 ft / 10.00 m
C D	29.52 ft / 9.00 m
E F	32.80 ft / 10.00 m
G	26.24 ft / 8.00 m
H	29.52 ft / 9.00 m



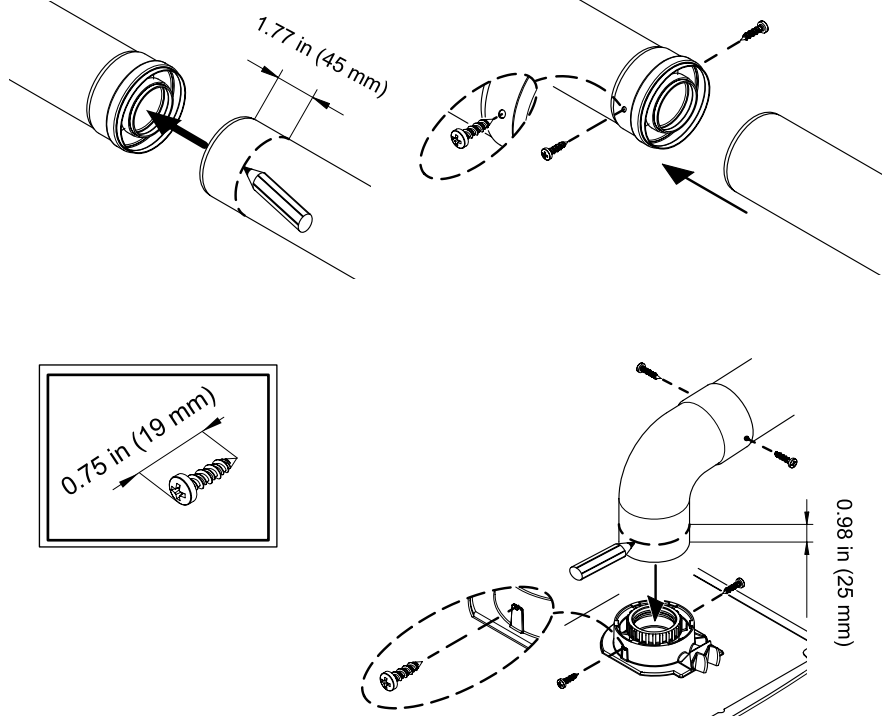
### Concentric Vent Screw Placement

Two screws must be fastened through the outer intake pipe behind the gaskets at equal distances approx. 180° apart. Please note the screws used must be no larger than No.8 - 1/2 sheet metal screws and must be zinc coated. The length of this screws must be 0.75 in (19.00 mm). If the screws are not supplied by the vent manufacturer together with the venting products, you have to fix together the pipes using screws with the same characteristic sourced locally in the market.

### CAUTION

To fix the first elbow (or the first coaxial pipe) to the boiler's turret use exclusively the screws supplied in plastic bag placed on the turret.

Example for BAXI (Natalini) venting system. For the others venting system suppliers see the instruction in their packaging.



### WARNING

CG\_2274

Before securing the screws ensure the pipe has been pushed in a minimum of 1 3/4" (45 mm) into the gasketed end of the other pipe.

### IMPORTANT INFORMATION

To insert the pipes use only silicone grease supplied with the exhaust pipes. The silicone grease has to be used only in the smaller seal of the exhaust pipes. Do not use other types of grease. Do not apply to large seal.

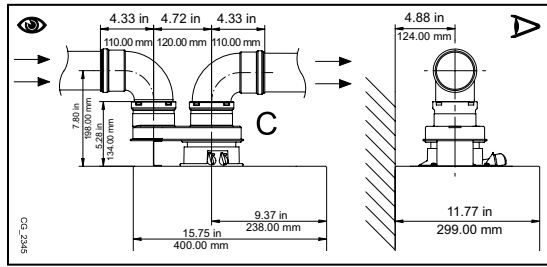
INSTALLER Section (en)

### 4.1.2 Two pipe system

This type of venting allows for exhaust flue and intake flue to be separated from each other. Fresh air may be drawn in at a different site from where the flue terminal is located. The splitting kit consists of an adaptor (100/80) and of an intake air vent adaptor. For the air duct adaptor fit the screws and seals previously removed from the cap.

The 90° bend allows flue-air venting to connect to the boiler regardless of direction as it can be rotated by 360°. It can moreover be used as a supplementary bend to be coupled with the duct or with a 45° bend.

45° bend	0.82 ft / 0.25 m
90° bend	1.64 ft / 0.50 m

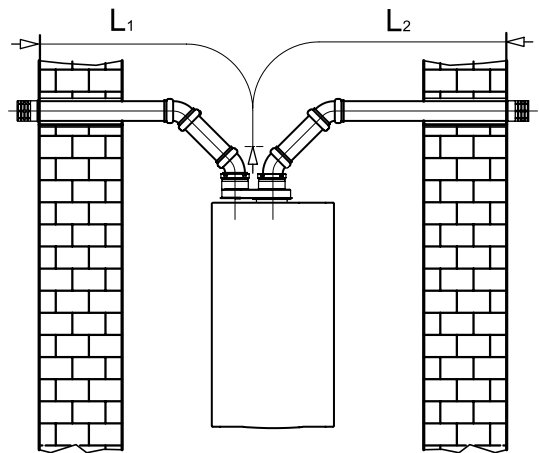


### Separated horizontal flue terminals installation options

The maximum length of the intake vent (L 1) cannot exceed 49.20 ft / 15.00 m. (L1 + L2) max = 196.80 ft / 60.00 m

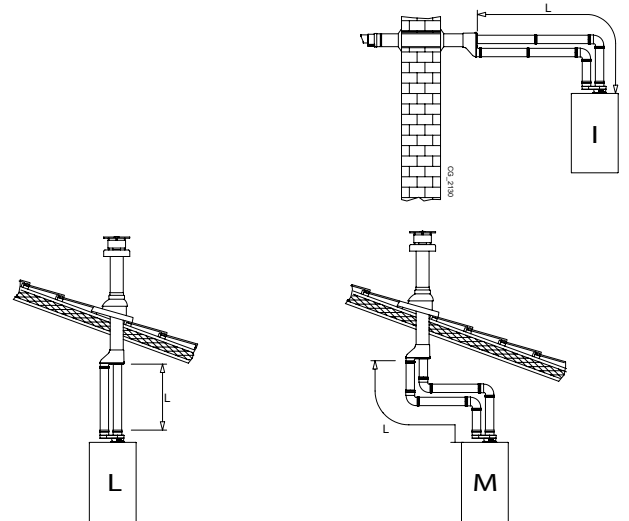
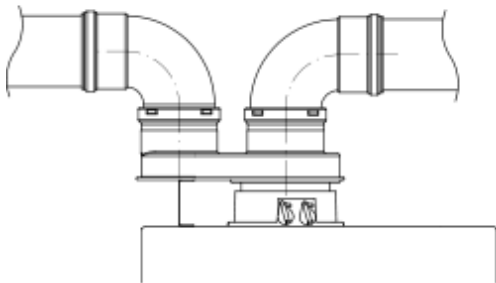
### WARNING

Ensure a minimum downward slope of 0.79 in for every 3.28 ft of exhaust vent length (2.00 cm toward the boiler per each meter for North America).



### Separated flue terminals

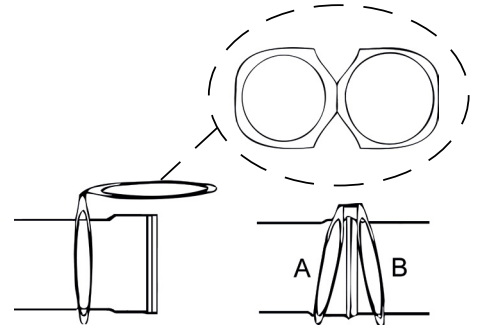
Installation options



I	L max = 49.20 ft / 15.00 m
L	L max = 49.20 ft / 15.00 m
M	L max = 45.92 ft / 14.00 m

Example of Baxi venting system. For other venting systems please refer to the instruction provided by the venting manufacturer.

- Take the Baxi dual flue spring clamp with the larger hole in it and place it onto the male end of the pipe.
- Slide clamp all the way down the pipe with the smaller opening of the clamp towards the female end of the pipe.
- Bend the clamp over the female end of pipe "A" and slide the male end of pipe "B" through the clamp and into the female end of pipe "A".



**Note:**

This clamp is needed for Baxi dual flue pipe.

**Note:**

The dual flue spring clamp is for indoor use only and should not be used in an outdoor application.

**Flexible Vent System**

The maximum length of the intake vent (L 1) cannot exceed 49.20 ft / 15.00 m.

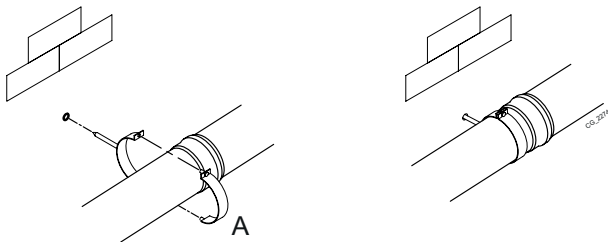
Maximum vent lengths based on straight runs only.

<b>(L1+L2) MAX - Ø 80 mm</b>
<b>Duravent - Centrotherm</b>
82.00 ft / 25.00 m

**Two Pipe Vent Support**

All venting must be supported every 39" (1 m) with a fixed clamp.

**A: steel strapping or equivalent**



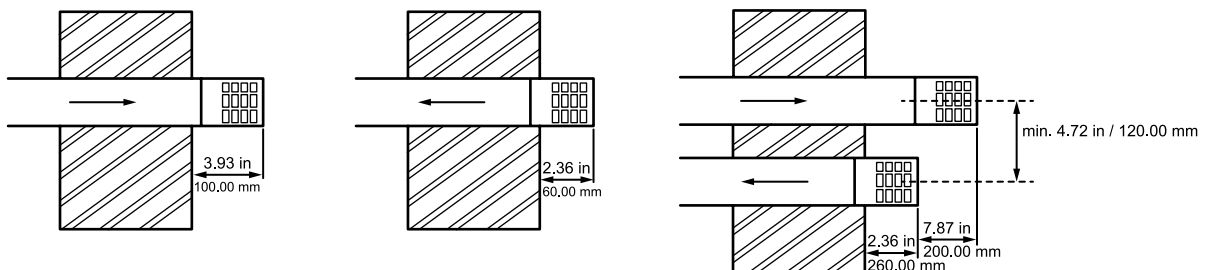
**Note:**

Ensure that the vent is sloped towards the boiler approximately 0.79 in for every 3.28 ft / 2.00 cm for every 1.00 m.

45° bend	0.82 ft / 0.25 m
90° bend	1.64 ft / 0.50 m

**WARNING**

**DO NOT USE CELLULAR CORE PIPE**  
**ONLY 3 in / 80 mm PIPES ARE PERMITTED**  
 When using venting material other than the boiler manufacturer's venting, note the correct installation procedure.



(\*) accessories supplied by the boiler's manufacturer

### 4.1.3 Approved venting materials

We recommend that the Condensing boiler be vented with the manufacturer's polypropylene venting material. This can be with either coaxial venting or with the two pipe rigid vent system. Use only materials listed below for vent pipe, intake air pipe and fittings. Failure to comply could result in personal injury, death or property damage and could void the boiler warranty. Installations must comply with local code requirements and with U.S.ANSI Z223.1

Approved Polypropylene Manufacturer's:

Manufacturer	Model	Material
Baxi (Natalini)	Polypropylene	PP
	Concentric	Epoxy Coated Aluminium intake/PP exhaust
M & G/ Duravent	PolyPro®	PP
	PolyPro®Flex	PP
	Concentric	Epoxy Coated Aluminium intake/PP exhaust
Centrotherm	Innoflue®	PP
	Innoflue®Flex	PP
	Concentric	Epoxy Coated Aluminium intake/PP exhaust

## WARNING

**All venting must be properly supported. The boilers are not intended to support any type of vent system whatsoever. All piping, glue, solvents, cleaners, fittings and components must conform to ASTM and ANSI standards.**  
**Note: In Canada ULC S636 and in the USA UL 1738 schedule 40 CPVC are the only approved vent system to be used as an alternative to Baxi polypropylene venting for the exhaust pipe; other than the approved systems listed above in the Approved Polypropylene Manufacturer's table. In Canada ULC S636 and in the USA UL 1738 schedule 40 PVC may be used for the vent intake.**

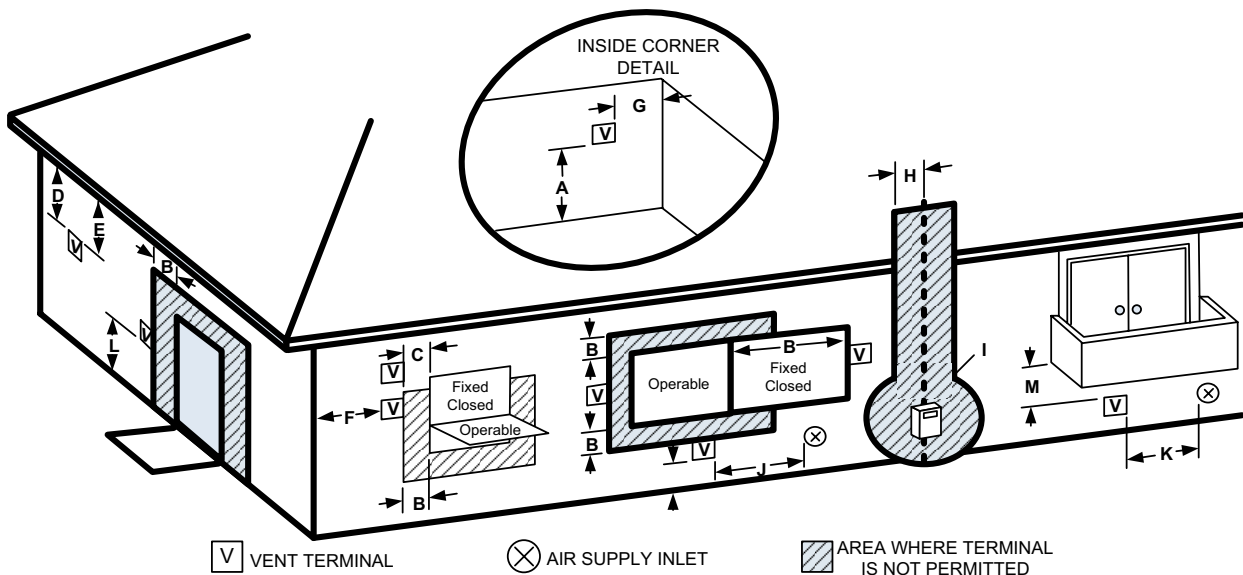
## WARNING

**ABS/PVC venting is not approved for use as an exhaust vent material. Failure to comply could result in personal injury, death or property damage and could void the boiler warranty.**  
**Do not use any DWV plumbing pipes to vent this boiler.**  
**Use of cellular core PVC (ASTM F891), cellular core CPVC, or Radel® (polyphenolsulfone) in venting systems shall be prohibited.**  
**Covering non-metallic vent pipe and fittings with thermal insulation shall be prohibited.**

All vent pipe and combustion air pipe and fittings must comply with the following:

Materials used in the U.S. must comply with the following relevant standards: ANSI/ASTM D1785, ANSI/ASTMD2661, ANSI/ASTM F441.

### 4.1.4 Flue terminal location



Vent Termination Minimum Clearances

	US Installations	Canadian Installations
A =	Clearance above grade, veranda, porch, deck, or balcony	12" (305mm)
B =	Clearance to window or door that may be opened	12" (305mm)
C =	Clearance to permanently closed window	3 ft. (0.9m)
D =	Vertical Clearance to ventilated soffit located above the terminal within a horizontal distance of 2 feet (610 mm) from the center line of the terminal	*12" (305mm)
E =	Clearance to unventilated soffit	18" (457mm)
F =	Clearance to outside corner	18" (457mm)
G =	Clearance to inside corner	9" (229mm)
		6" (152mm)

H =	Clearance to each side of center line extended above meter/regulator assembly	3 ft. (0.9m) within a height of 15 ft. (4.5m) above the meter/regulator assembly	3 ft. (0.9m) within a height of 15 ft. (4.5m) above the meter/regulator assembly
I =	Clearance to service regulator vent outlet	3 ft. (0.9m)	3 ft. (0.9m)
J =	Clearance to non-mechanical air supply inlet to building or the combustion air inlet to any other appliance	12" (305mm)	3 ft. (0.9m)
K =	Clearance to mechanical air supply inlet	*3 ft. (0.9m)	6 ft. (1.8m)
L =	Clearance above paved sidewalk or paved driveway located on public property	*7 ft. (2.1m)	7 ft. (2.1m) †
M =	Clearance under veranda, porch, deck or balcony	*12" (305mm) ‡	12" (305mm)‡

† A vent shall not terminate directly above a sidewalk or paved driveway that is located between two single family dwellings and serves both dwellings.

\*For clearances not specified in ANSI Z223.1/NFPA 54 or CSA B149.1, clearance will be in accordance with local installation codes and the requirements of the gas supplier and these installation instructions.

‡ Permitted only if veranda, porch, deck or balcony is fully open on a minimum of one side beneath the floor.

**Note:**

Local Codes or Regulations may require different clearances. The flue terminal must be exposed to the external air and the position must allow the free passage of air across it at all times. In certain weather conditions the terminal may emit a plume of steam. Avoid positioning the terminal where this may cause a nuisance.

## 5. BOILER LOCATION

The boiler is not suitable for external installation.

The boiler must be installed on a flat vertical wall which is capable of supporting the weight of the boiler.

The boiler may be installed in any room or internal space, although particular attention is drawn to the requirements of the current electrical provisions with respect to the installation of the boiler in a room or internal space containing a bath or shower. Where a room-sealed boiler is installed in a room containing a bath or shower, it must not be possible for a person using the bath or shower to touch any electrical switch or boiler control utilizing line voltage electricity.

The boiler may be installed in a cupboard or compartment, provided it is correctly designed for that purpose.

## 6. CENTRAL HEATING SYSTEM

The boiler is designed for use in a sealed central heating system.

Refer to section 2: "TECHNICAL DATA" for details of the heating system volume.

The system should be designed to operate with flow temperatures of up to 176°F / 80°C. When designing the system, the pump head, expansion tank size, mean radiator temperature, etc. must all be taken into account. Refer to the pump performance table in section 2.6: "AVAILABLE PUMP HEAD FOR CENTRAL HEATING".

The boiler is supplied with the following components built in:

Pressure relief valve - set to operate at 30.0 psi / 2.1 bar.

## WARNING

**The discharge pipe must be routed clear of the boiler to a drain, in such a manner that it can be seen, but cannot cause injury to persons or property.**  
**The pressure relief valve must be manually operated at least once a year.**

- Avoid contact with hot water coming out
- Prevent water damage

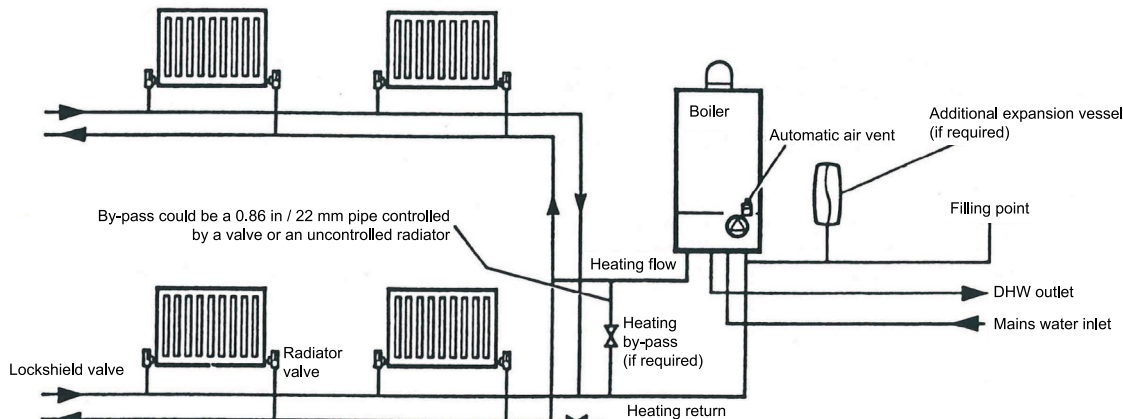
**Pressure gauge** - to indicate the system pressure to be maintained.

**Expansion tank** - with a capacity of 1.5 gal (USA) / 7.0 l and pre-charged to a pressure of 7.25 psi / 0.5 bar.

**Note:**

The expansion tank must be charged to match the pressure of the central heating system upon installation.

**By-pass** - The boiler incorporates an automatic by-pass, However, where all radiators are fitted with thermostatic radiator valves, an external by-pass must be fitted.



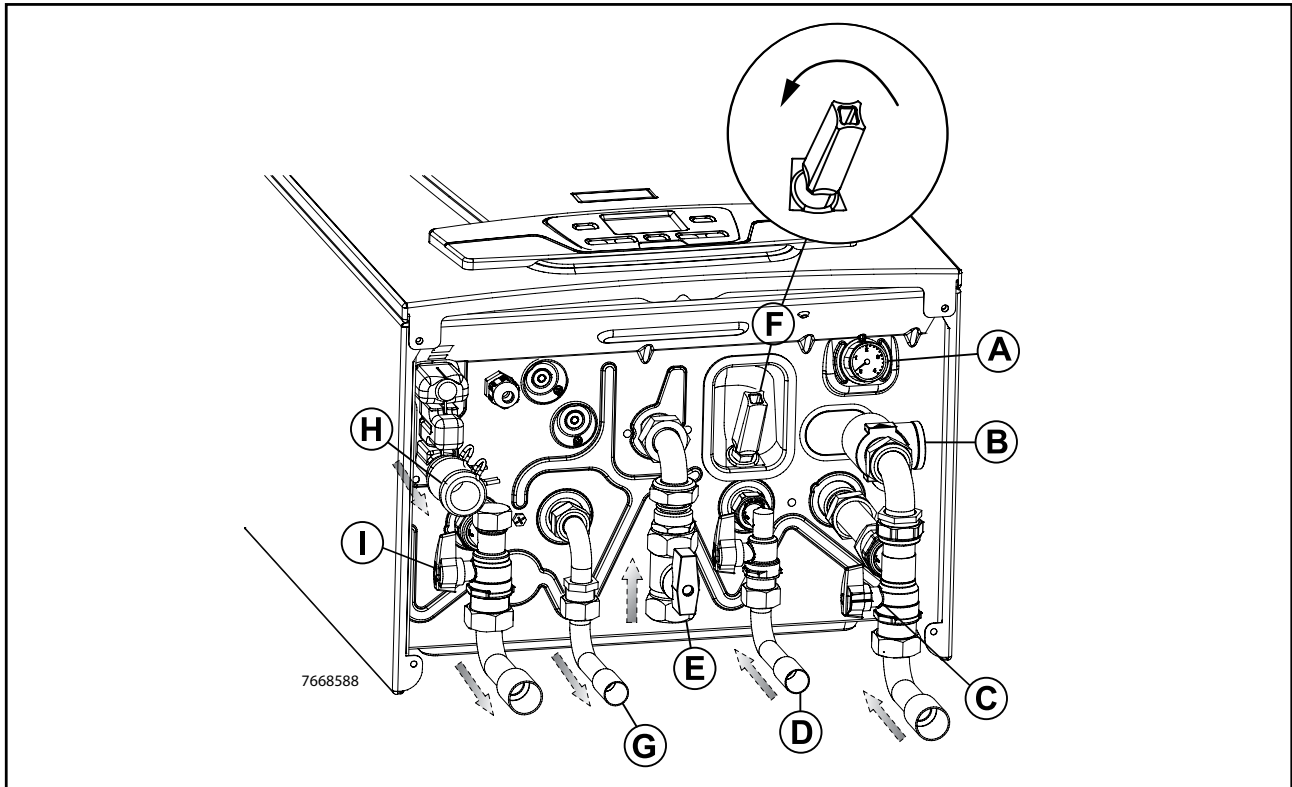
**Note:**  
A drain tap should be installed at the lowest point of the heating circuit and beneath the appliance.

## 7. FILLING THE CENTRAL HEATING SYSTEM

The system design pressure (cold) should be set to (1.0 - 1.5) bar. This pressure is equivalent to the maximum static head in bar + 0.3 (14.5 psi = 1 bar = 10.2 metres of water). Filling of the system must be carried out in a manner approved by the local Water Undertaking. The system may be filled as shown in the figure.

Drain taps must be used to allow the system to be completely drained.

The heating system should be thoroughly flushed before the boiler is connected and again after the first heating.



A	Pressure gauge
B	Pressure relief valve
C	Heating return connection
D	Cold DHW inlet tap / system filling connection for Luna Duo-tec 1.33 GA model
E	Gas shutoff connection
F	Boiler filling connection
G	DHW outlet/ indirect storage tank connection for Luna Duo-tec 1.33 GA model
H	Drain connection for condensate trap
I	Heating flow connection

### Note:

Both heating return and the cold water supply inlet contain service filters.

- The boiler is fitted with an automatic air vent positioned on the pump (see section 2.9: "BOILER SCHEMATIC"). The vent is fitted with an adjustable sealing cap.
- Open the central heating flow and return valves (spindle flats in-line with valve - see section 3: "BOILER INFORMATION").
- Open the fill point valve on the filling system until water begins to flow. To aid venting, the boiler drain point may be open until water flows out. Close the drain point as soon as water appears.
- In systems using radiators to remove the air - Vent each radiator in turn, starting with the lowest in the system.
- It is important that the pump is properly vented to avoid it running dry and damaging its bearings. Unscrew and remove the cap from the centre of the pump. Using a suitable screwdriver rotate the exposed spindle about half a turn, then replace the cap.
- Check the operation of the heating pressure relief valve by pulling the lever on top of the valve upwards lifting the seat. This will allow water to escape from the system - check that this is actually happening.
- Continue to fill the system until the pressure gauge indicates 21.7 psi / 1.5 bar. Close the fill point valve and check the system for water soundness, rectifying where necessary. Water may be released from the system by manually operating the drain point until the system design pressure is obtained. The system design pressure (cold) should be between 1.0 bar and 1.5 bar.

### Refer to section: "SYSTEM VOLUME".

- Open the cold water supply inlet valve (see section 3: "BOILER INFORMATION" and section 7: "FILLING THE CENTRAL HEATING SYSTEM"). Turn on all hot water taps and allow water to flow until no air is present. Turn off taps.



## 8. TOXIC CHEMICALS

Toxic chemicals, such as those used for boiler treatment, shall not be introduced into the potable water used for space heating.

## 9. HEATING SYSTEM AND REFRIGERATION

The boiler, when used in connection with a refrigeration system, must be installed so the chilled medium is piped in parallel with the boiler with appropriate valves to prevent the chilled medium from entering the boiler.

The boiler piping system of a hot water boiler connected to heating coils located in air handling units where they may be exposed to refrigerated air circulation must be equipped with flow control valves or other automatic means to prevent gravity circulation of the boiler water during the cooling cycle.

## 10. INSTALLATION

### 10.1 CONNECT THE PIPEWORK

- Thoroughly flush out all the water pipework.

## WARNING

**Ensure that all the plastic caps are removed from the boiler connections.**

- Secure all the valves/fittings to the boiler
- Ensure the washers supplied are utilized.
- Valves and fittings should be facing the rear wall.
- Fit the union bends to the valves.

### Note:

a. If soldering to the boiler union bends, ensure that the bends are not connected to the valves, otherwise the internal seals may be damaged.

b. Ensure the 3/4" / 22.2 mm isolating valve with the filter is fitted to the heating return connection.

c. Fit the pressure relief valve connection vertically before the heating isolating valve.

- Connect the system valve pipework to the boiler.

### Note:

Do not forget that the pressure relief valve discharge pipe must be routed clear of the boiler to a drain in such a manner that it may be seen, but cannot cause injury to person or property.

- Ensure that all the valves are closed (spindle flats at right angles to valve) and do not turn on the water or gas supplies at this stage.
- Connect the condensate outlet to the siphon supplied with the boiler. Connect the siphon to a drain, making sure there is a continuous slope. Horizontal sections must be avoided.

## WARNING

**The boiler and its individual shutoff valve must be disconnected from the gas supply piping system during any pressure testing of that system at test pressures in excess of 1/2 psi (3.40 kPa - 34.47 mbar).**

**The boiler must be isolated from the gas supply piping system by closing its individual manual shutoff valve during any pressure testing of the gas supply piping system at test pressures equal to or less than 1/2 psi (3.5 kPa).**

**The boiler shall be installed such that the gas ignition system components are protected from water (dripping, spraying, rain, etc.) during appliance operation and service (circulator replacement, condensate trap, control replacement, etc.).**

## 11. ELECTRICAL CONNECTIONS

The boiler requires a 120V 60Hz power supply. Ensure the electrical supply is polarized.

### The boiler must be grounded.

There must only be one common isolator, providing complete electrical isolation, for the boiler and any external controls. Using PVC insulated cable 12 AWGx3C 221°F / 105 °C. All wiring must be installed in accordance with requirements of National Electrical Code and any additional national, state, or local code requirements having jurisdiction. All wiring must be N.E.C. Class 1. Boiler must be electrically grounded in accordance with the National Electrical Code, ANSI / NFPA No. 70-latest edition. In Canada, installation must conform to CSA C22.1 Canadian Electrical Code Part 1 and any local codes.

To access the terminal block, remove the front boiler panel (fixed with two screws at the bottom), turn the control box downwards and access terminal blocks **M1** and **M2** used for the electrical connections, after removing the protective cover. The 3.15 A fast-blowing fuses are incorporated in the power supply terminal block (to check and/or replace the fuse, pull out the black fuse carrier).

## DANGER - HIGH VOLTAGE

**The connections in terminal block M1 are high voltage (120V / 60Hz). Before making connections, make sure the appliance is disconnected from the power supply. Respect the input polarity on terminal block M1: L (LINE) - N (NEUTRAL).**

**TERMINAL BLOCK M1**

(L) = Live (brown)

(N) = Neutral (light blue).

⊕ = Ground (yellow-green).

(1) (2) = contact for 120V Room Thermostat.

Put back the jumper on terminals 1-2 of boiler terminal block M1 if the room thermostat is not used or if the Remote Control is not installed.

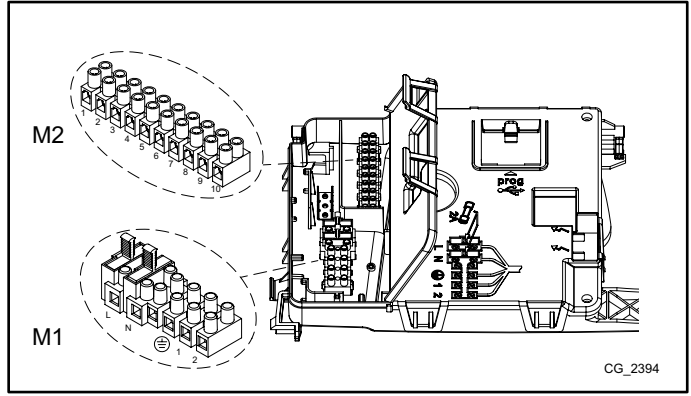
**TERMINAL BLOCK M2**

Terminals 1 - 2: bus connection of programmable room unit (supplied as an accessory)

Terminals 4 - 5: outdoor temperature sensor connection (supplied as an accessory)

Terminal 3 - 9 - 10: not used.

Terminals 6 - 7 - 8: see section 11.1 and 11.2



**WARNING**

If the appliance is connected to an infloor system, install a limit thermostat to prevent the latter from overheating.

**IMPORTANT INFORMATION**

Use the relative cable grommets at the bottom of the boiler to thread the cables through to the terminal blocks.

**11.1 CONNECTING THE 120 V ROOM THERMOSTAT**

**DANGER - HIGH VOLTAGE**

The connections in terminal block M1 are high voltage (120 V). Before making connections, make sure the appliance is disconnected from the power supply. Respect polarity L (LIVE) - N (NEUTRAL).

To connect the 120V Room Thermostat to the boiler, proceed as described below:

- switch off the boiler;
- access the terminal block **M1**;
- remove the yellow jumper on terminals 1 & 2 of the **M1** bus.
- remove the jumper from the ends of contacts 1-2 and connect the wires of the **120 V** Room Thermostat;
- switch on the boiler and make sure the Room Thermostat works correctly.

**11.2 CONNECTING THE 24 V ROOM THERMOSTAT**

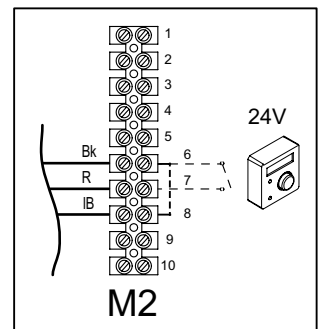
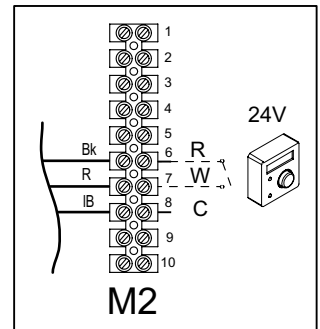
To connect a 24 V Room Thermostat proceed as follows:

- switch off the boiler;
- access the terminal block **M2**;
- connect the wires of the 24 V Room Thermostat to the terminals **6(R)-7(W)-8(C)**;
- switch on the boiler and make sure the 24 V Room Thermostat works correctly.

**NOTE: the maximum load admitted is 10 mA**

To connect a 24 V Heat anticipator Room Thermostat proceed as follows:

- switch off the boiler;
- access the terminal block **M2**;
- connect the wires of the 24 V Heat anticipator Room Thermostat to the terminals **6-7**;
- connect a bridge between the terminals **6-8**;
- switch on the boiler and make sure the 24 V Heat anticipator Room Thermostat works correctly.



### 11.3 MANAGEMENT OF 0-10V INPUT

The functions with the 0..10V regulator are activated by means of their parameters. When the function is enabled (P82=3) and P78=1, the input manages the heating setpoint temperature directly; when the P78=2, the input manages the heating power input directly. Demand is activated above 3V and the heating setpoint is calculated in proportion to deviation from 3 to 10V DC to give a setpoint that goes from minimum to maximum.

0-10V DC Electrical signal input (V)	P78 = 1		P78 = 2	
	Heating flow setpoint temperature (°F)	(°C)	Central Heating - Heat input (Gross) (kW)	(Btu/h)
0...3	OFF			
3	77	25	4.9	16,650
4	95	35	8.4	28,900
5	108	42	12.0	40,800
6	124	51	15.4	52,400
7	140	60	18.5	63,050
8	154	68	22.2	75,650
9	167	75	25.3	86,200
10	176	80	27.4	93,550

## WARNING

Maximum permitted input voltage 11V +/- 2%

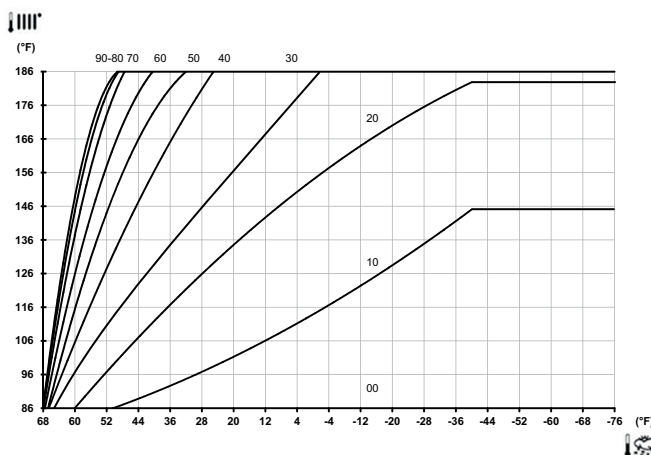
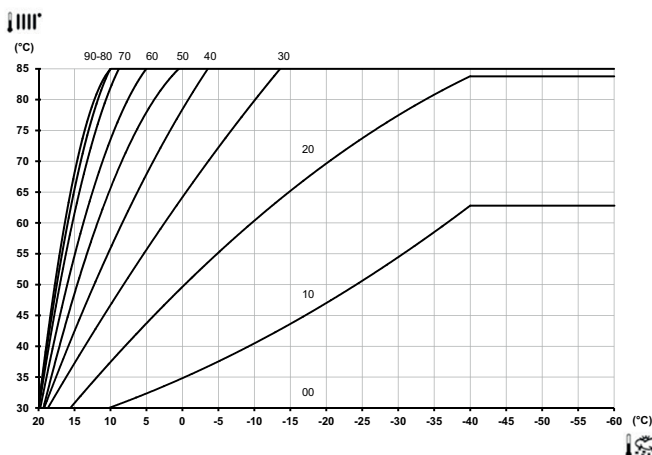
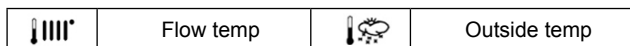
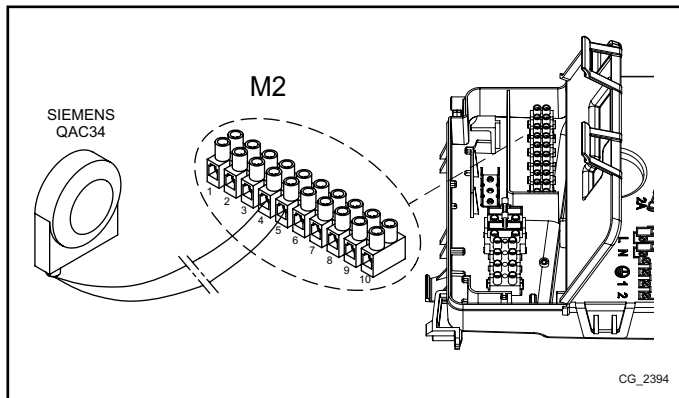
### 11.4 ACCESSORIES

#### 11.4.1 OUTDOOR TEMPERATURE SENSOR

To connect this accessory, see figure to side (terminals 4-5) and the instructions supplied with the sensor.

#### SETTING THE "Kt" CLIMATE CURVE

When the external sensor is connected to the boiler, the electronic board adjusts the flow temperature calculated according to the set Kt coefficient. Select the required curve by pressing as indicated in the chart below for selecting the most appropriate one (00 to 90).



#### NOTE:

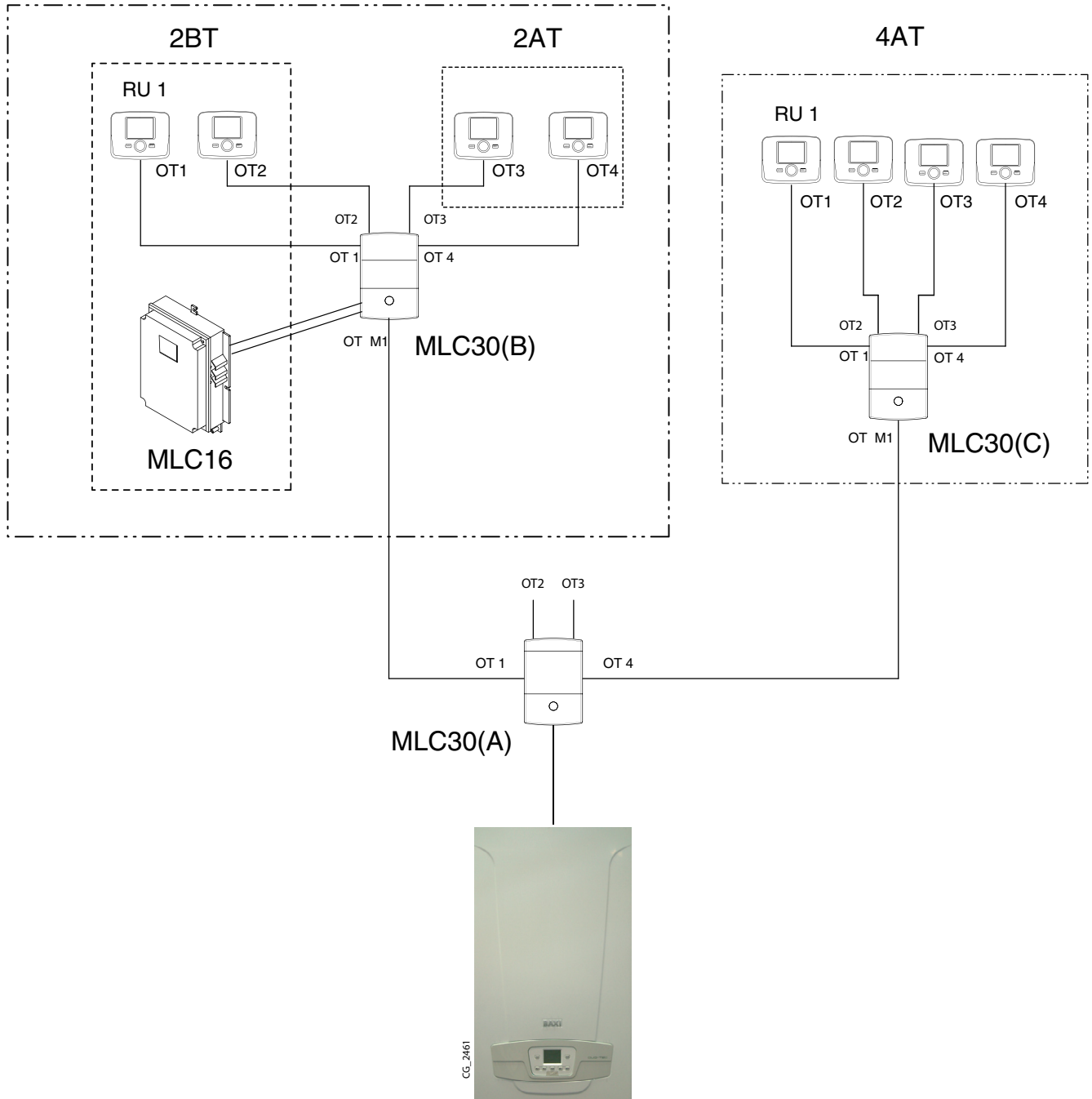
For temperatures below -40 °F (-40 °C), the maximum heating flow temperature set point no longer increases and the curves shown on the graph become horizontal.

INSTALLER Section (en)

## 11.4.2 ZONE MANAGEMENT

### 11.4.2.1 MLC30 ACCESSORY

The **MLC30** accessory is an "Open Therm" (OT) bus signal duplicator. When connected to the boiler it can manage up to 4 non-mixed zones High Temperature (HT) controlled by a room unit. To manage mixed temperature zones in Low Temperature (LT) the **MLC16** must be added. This separately supplied kit is described below. In the overall diagram shown below, the modular MLC30 accessory can manage both mixed and non-mixed systems by combining the two accessories into a single MLC30(A) known as "Concentrator". As described below, each MLC30(A) "Concentrator" can manage from 1 to 4 Open Therm (OT) inputs to which other MLC30's, MLC16's, zone pumps/valves, room units and/or thermostats can be connected.



### 11.4.2.2 MIXED ZONES - MLC16 ACCESSORY

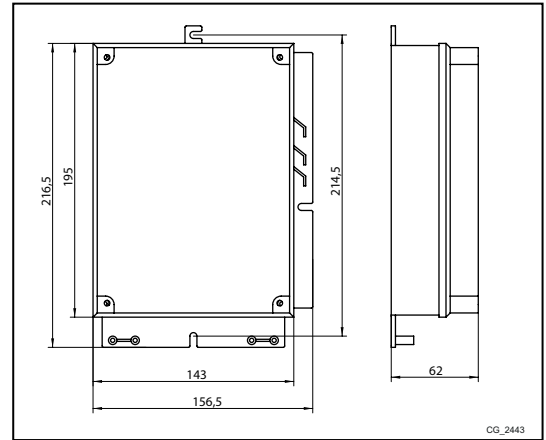
To manage mixed zones the **MLC16** accessory must be connected to the MLC30 This accessory can manage up to two low temperature zones. The high temperature zones are managed by the **MLC30** accessory.

## IMPORTANT INFORMATION

**This accessory must always be coupled to the MLC30.**

The main features of the accessory are the following:

- Management of up to 2 low voltage room thermostat/room unit inlets.
- Management of up to 2 outlets for piloting zone pumps or valves (120 V).
- Management of two independent low temperature zones by controlling two mixing valves (120 V).
- Setting low temperature setpoints.
- 6 Dip Switches for setting the operating mode (do not change).
- Pump seize protection.
- LED indicating operating status or faults.



## 12. SPECIAL FUNCTIONS

### 12.1 COMMISSIONING

When lighting the boiler for the first time perform the following procedure. After electrically powering the boiler the code "000" appears on the display. This means the appliance is ready for the "commissioning" procedure.

- Press **(i/P)** and **(M/+)** together and hold down for 6 seconds. "On" appears on the display for 2 seconds followed by code "312" indicating that the "de-aeration" function is active. This function lasts 10 minutes.
- Afterwards, the boiler switches on, the display shows the code "000" alternating with the % of ignition power and the temperature value (°F / °C). During this "gas recognition function" phase, that lasts approximately 7 minutes, the type of gas used is analyzed. During this function, assure maximum heat exchange to the heating or DHW system (domestic hot water demand) by having all heating zones open or all domestic hot water taps open, in order to prevent the boiler from switching off due to overheating.
- If the boiler runs on Gas A (Natural Gas), the display shows **NG** for approximately 10 seconds. The boiler is now ready for normal operation. If the display shows **LPG** (Gas E), press **(O/R)** and **(i/P)** together and hold down for at least 4 seconds to exit without changing the factory setting. The boiler will stay set to natural gas.
- If the boiler runs on Gas E (LPG) the display shows **LPG** (Gas E). Press **(i/P)** for at least 6 seconds to confirm the gas effectively used. If the display shows **NG** (Gas A) and does not recognize the type of gas used, press **(O/R)** and **(i/P)** together and hold down for at least 4 seconds to exit the function and then change parameter **P02=01** as described in section 14: "PARAMETER SETTINGS" of the boiler instructions manual.

## IMPORTANT INFORMATION

If the venting or gas recognition function is interrupted by a power blackout, start the function again when power is restored by pressing **(i/P)** and **(M/+)** together and holding them down for at least 6 seconds. If the display shows fault E118 (low pressure in hydraulic circuit) during the venting function, open the filling tap on the appliance and restore the correct pressure. If the gas recognition function is interrupted due to a fault (e.g.: E133 no gas) press **(O/R)** to reset and then press **(i/P)** and **(M/+)** (for at least 6 seconds) to restart the function again. If the gas recognition function is interrupted due to overheating, restart the function by pressing **(i/P)** and **(M/+)** and holding them down for at least 6 seconds.

The combustion of this appliance has been factory controlled, calibrated and set for operation with Gas A (Natural Gas).  
During the Gas Type Control Function, the combustion ratio will increase for a short period of time while the gas type is being established.

## WARNING

During initial ignition, the burner may not ignite (causing the boiler to shut down) until any air in the gas pipes is vented. In this case, repeat the ignition procedure until gas reaches the burner. To reset boiler operation, press **(O/R)** for at least 2 seconds.

## WARNING

For the first few ignitions immediately after installation the system must implement a self-learning procedure to reach the correct ignition level.

## 12.2 DE-AERATION FUNCTION

This function is used to facilitate the elimination of the air inside the heating circuit when the boiler is first installed or after maintenance when the water is drained from the primary circuit.

To enable the system gas extraction function press buttons together for 6 seconds. When the function is active, **On** appears on the display for a few seconds, followed by program row **312**.

The electronic board will activate a pump on/off cycle lasting 10 minutes. The function will automatically stop at the end of the cycle. To manually exit this function, press the above buttons together for 6 seconds once again.

## 12.3 CHIMNEY SWEEP FUNCTION

For correct boiler operation, the content of (CO<sub>2</sub>- O<sub>2</sub>) in the combustion flue must be within the tolerances indicated in the table below.

### COMBUSTION TABLE

		Gas A (Natural Gas)		Gas E (LPG)	
		CO <sub>2</sub> %	O <sub>2</sub> %	CO <sub>2</sub> %	O <sub>2</sub> %
Maximum power (100%)	Nominal value	9.0	4.9	10.0	5.7
	Permitted value	8.5 – 9.5	5.7 – 4.0	9.5 – 10.5	6.4 – 4.9
Ignition power (*)	Nominal value	8.8	5.2	10.8	4.8
	Permitted value	8.2 – 9.3	6.3 – 4.3	10.3 – 11.3	5.2 – 3.7
Minimum power (0%)	Nominal value	8.6	5.4	9.8	6.0
	Permitted value	8.1 – 9.2	6.5 – 4.5	9.3 – 10.3	6.7 – 5.2

(\*) Automatically calculated from the PCB

This Chimney Sweep Function enables the boiler to generate **maximum heating power**. After activation, the boiler power % can be adjusted from minimum (0%) to maximum (100%) in the DHW mode.

- Press buttons and together for at least 6 seconds. When the function is enabled, the displays shows “On” for a few seconds followed by program row “303” alternating with the % of boiler power.
- Press to gradually adjust power (increments of 1%).
- To exit press both buttons together for at least 6 seconds, as described in point one.

If the value of CO<sub>2</sub>- O<sub>2</sub> is different, check the electrodes and their relative distances. If necessary, replace the electrodes and position them correctly. If the problem persists, use the “COMBUSTION ADJUSTMENT FUNCTION (CO<sub>2</sub>%)”.

## IMPORTANT INFORMATION

Press to display the instantaneous flow temperature for 15 seconds.

## WARNING

The combustion analysis shall be done using a regularly calibrated analyzer.

## WARNING

During normal operation the boiler performs combustion control cycles. In this phase, CO values higher than 400 ppm can occur for brief periods of time.

## 12.4 COMBUSTION ADJUSTMENT FUNCTION (CO<sub>2</sub>%)

This function sets out to partially adjust the value of CO<sub>2</sub>%. The following procedure is used.


1. Press buttons and together for at least 6 seconds. When the function is enabled, the displays shows “On” for a few seconds followed by program row “304” alternated with the % of boiler power;
2. After the burner is lit, the boiler reverts to maximum DHW power (100). When the display shows “100” it is possible to partially adjust the value of CO<sub>2</sub> %;
3. press . The display shows “00” alternating with the function number “304” (Δ flashes);
4. press to raise or lower the amount of CO<sub>2</sub> (from -3 to +3);
5. press to save the new value and view the power value “100” on the display again (the boiler continues operating at maximum DHW power).

This procedure can also be used to adjust the quantity of CO<sub>2</sub> to the **ignition power** and to the **minimum power** by pressing after step 5 of the procedure described above.

6. After saving the new value (step 5 of the procedure), press to take the boiler to its **ignition power**. Wait for the value of CO<sub>2</sub> to stabilize and then adjust as described in step 4 of the procedure (the power value is a number <> 100 and <> 0) then save (step 5);
7. press again to take the boiler to **minimum power**. Wait for the value of CO<sub>2</sub> to stabilize and then adjust as described in step 4 of the procedure (power value = 00);
8. to exit the function, press the buttons for at least 6 seconds as described in step 1.

## 12.5 ERROR MESSAGES AND RESETTING THE BOILER

<b>E</b>	<b>ERROR description</b>	<b>OPERATION</b>
<b>09</b>	Gas valve connection fault.	Check the cable pcb/gas valve and gas valve plug
<b>10</b>	Outdoor sensor fault .	Check the sensor and the cable
<b>15</b>	Gas valve command fault.	Verify all the cables. Replace the pcb. Call an authorized SERVICE center
<b>20</b>	Central Heating NTC sensor fault.	Check the sensor and the cable
<b>28</b>	Flue NTC heat exchanger sensor fault	Check the sensor and the cable
<b>40</b>	Return NTC sensor fault.	Check the sensor and the cable
<b>50</b>	Domestic Hot Water NTC sensor fault	Check the sensor and the cable
<b>53</b>	Obstruction in the flue pipe.	Check obstruction on the flue pipe
<b>55</b>	PCB not programmed.	Call an authorized SERVICE centre
<b>83-84-85 86-87</b>	Communication problem between boiler board and control unit.	Probable short circuit on wiring. Check the cable between control unit and boiler
<b>109</b>	Pre-circulation alarm (temporary fault).	Check the correct circulation of the water and the pump
<b>110</b>	<b>R</b> Safety thermostat tripped due to over temperature (pump probably blocked or air in heating circuit).	Check the safety thermostat and the cable; check the correct circulation of the water and the pump
<b>118</b>	Hydraulic pressure too low.	Refill the heating system by open the cold water tap
<b>125</b>	<b>R</b> No circulation of the water (control performed via a temperature sensor).	Check the correct circulation of the water and the pump. Check the correct connection of the NTC sensor on the pipe
<b>128</b>	<b>R</b> Loss of flame.	Check the sensing electrode and the cable, flue recirculation, electrical continuity between burner and ground, Enable the automatic calibration. Call an authorized SERVICE centre
<b>130</b>	<b>R</b> NTC flue sensor tripped due to over temperature.	Check the thermostat, the correct circulation of the water and the pump. Check the status of the primary exchanger
<b>131</b>	Thermo fuse tripped due to over temperature.	Check the thermo fuse, the correct circulation of the water and the pump. Check the status of the primary exchanger. Replace the heat exchanger. Call an authorized SERVICE center
<b>133</b>	<b>R</b> Ignition failure	Check the correct operation of the condensate trap. Check the correct operation of the condensate sensor, if present. Check the sensing electrode, spark electrode and cable. Check flue recirculation, electrical continuity between burner and ground. Enable the automatic calibration function. Call an authorized SERVICE centre
<b>134</b>	<b>R</b> Gas supply valve blocked.	Check the gas pressure, sensing electrode, spark electrode and cable, replace the pcb if it necessary. Call an authorized SERVICE center
<b>135</b>	Internal error.	Verify all the cables. Replace the pcb. Call an authorized SERVICE center
<b>160</b>	Fan fault.	Check the fan and the cable
<b>162/317</b>	Incorrect power supply frequency.	Incorrect power supply frequency.
<b>169</b>	Flue pressure switch (contact open)	Check the pressure switch and the cable. Check obstruction on the flue pipe
<b>164/ 384</b>	<b>R</b> Fault flame (parasitic flame).	Check the correct operation of the gas valve.
<b>165/385</b>	Input voltage too low.	Check the power supply

To RESET **R** the boiler press the button  for at least 2 seconds. For other error codes not described in the table please contact the Authorised Service Centre.

### 13. OPERATING THE BOILER

#### 13.1 TESTING FOR GAS LEAKS AND PURGINING THE GAS SUPPLY

- With the boiler gas service cock closed (spindle flats at right angles to valve). Pressure test the gas supply and inlet pipework connection to the boiler gas service cock for soundness.
- Loosen the screw of the pressure inlet gas test port on the gas valve (see section 13.4: "GAS VALVE"). Ensure the gas supply is on and open the boiler service cock to purge.
- Retighten the test port screw and test for gas leaks. Close the boiler gas shutoff device.

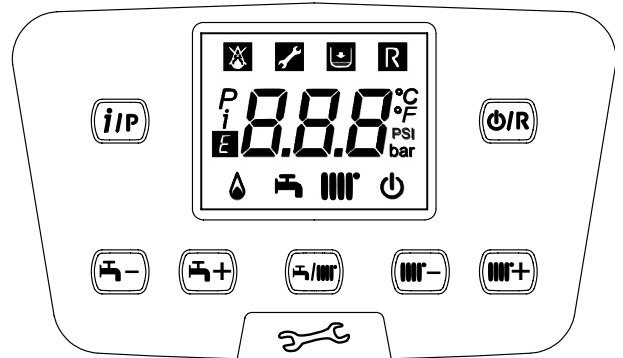
#### 13.2 BOILER CONTROLS

To light the boiler correctly, proceed as follows:

- Check that the system pressure is correct;
- Power the boiler;
- Open the gas tap (yellow, positioned under the boiler);
- Select the required heating mode (see section 3.4: "OPERATING MODES").

##### BUTTONS Key

	DHW temperature adjustment (+ to increase the temperature and - to decrease it)
	Heating water temperature adjustment (+ to increase the temperature and - to decrease it)
	Boiler operating information
	Operating mode: DHW – DHW & Heating – Heating Only
	Off – Reset – Exit menu/functions



##### SYMBOLS Key

	Off: heating and DHW disabled (only boiler frost protection is active)		Burner lit
	Ignition fault		DHW operating mode enabled
	Boiler/system water pressure low		Heating mode enabled
	Call a qualified service technician		Programming menu
	Manually resettable fault ()		Boiler information menu
	Fault in progress	°C, °F, bar, PSI	Set unit of measurement (SI/US)



## 13.3 GAS VALVE

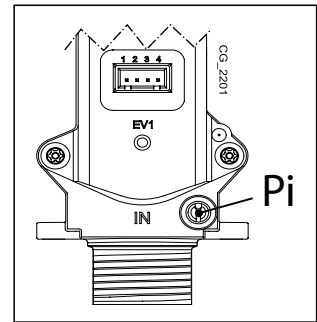
### Gas valve key

Pi
Gas supply inlet pressure tap

### CHANGING THE TYPE OF GAS

During the first installation the boiler carries out an automatic commissioning function. The system is able to detect the gas type present in the network and the setting with the correct gas can be easily made only by pressing two buttons together (See section 12.1 "COMMISSIONING"). In case the change of the gas has to be made after the first installation the following operations have to be made:

- change the parameter **P02** (see section 12: "SPECIAL FUNCTION" and section 14: "PARAMETER SETTINGS");
  - check the gas pressure is suitable for the gas: Gas A (NG) = 7.0 in w.c. (17.4 mbar); Gas E (LPG) = 11.0 in w.c. (27.4 mbar);
- In both cases, at the end of the first commissioning or after a changing of the gas, the new label with the indication of the gas, supplied with the boiler has to be added close to the data plate of the boiler replacing the original one. A verification of the CO<sub>2</sub> concentration on the flue is recommended.



## 14. PARAMETER SETTINGS

To program the parameters of the boiler's electronic board, proceed as follows:

- Press **[←]** and **[→]** together and hold them down for 6 seconds until program row "P01" appears on the display alternated with the set value;
- Press **[←]** **[→]** to scroll the list of parameters;
- Press **[iP]**, the value of the selected parameter begins flashing, press **[←]** **[→]** to change the value;
- Press **[iP]** to confirm the value or press **[O/R]** to exit without saving.

## IMPORTANT INFORMATION

Further information concerning the parameters listed in the following table are supplied together with the required accessories.

	DESCRIPTION OF PARAMETERS LUNA DUO-TEC	FACTORY SETTINGS
<b>P01</b>	Manufacturer information	01
<b>P02</b>	Gas used 00 = Gas A (Natural Gas) - 01 = Gas E (LPG Gas)	00
<b>P03</b>	Hydraulic system 00 = instantaneous appliance 03 = instantaneous appliance with pre-heat function 05 = appliance with external storage boiler 08 = heating only appliance 13 = instantaneous appliance with pre-heat function for solar application	00
<b>P04</b>	Programmable relay 1 setting (optional): 00 = no function is associated 01 = close contact with a room thermostat request (other than the Baxi thermostat) 02 = close contact with a Baxi room thermostat request 03 = relay for indicating low water pressure 04 = relay for error code display 05 = relay for kitchen fan function 07 = relay for post circulation pump 09 = DHW relay on with DHW program setting 10 = DHW relay on with DHW request; if P64 = 1 relay on with CH and DHW request 13 = relay for Cooling function 14 = close contact with a room thermostat request (120V~) with post circulation 15 = close contact with a open therm remote control request with post circulation	02
<b>P05</b>	Programmable relay 2 setting (optional): (The same configurations as Relay 1-P04)	04
<b>P06</b>	Outdoor temperature sensor input configuration 00= with an outdoor temperature sensor connected, the external temperature value has influence to calculate the heating flow temperature setpoint 01= with an outdoor temperature sensor connected, the display shows the external temperature value (no influence) 02...05 = no function is associated	00

INSTALLER Section (en)

<b>P07</b>	<p><b>00.02</b> = No function is associated</p> <p><b>03</b> = This is an input contact for a CH request (e.g. trigger phone). When the contact CN2 is closed and the Room Thermostat (RT) requiring heat switches the burner on. <b>Note: be sure the heating mode is enabled (winter or heat only mode)</b></p> <p><b>04</b> = This is an input contact for a Low Temperature Thermostat (e.g. floor heating system). When the Low Temperature Thermostat connected on CN2 cuts out, the burner switches off and the display shows <b>E178</b> anomaly. <b>Note: be sure the heating mode is enabled (winter or heat only mode)</b></p> <p><b>05</b> = This is an input contact for an external DHW recirculation pump. When the contact CN2 is closed the pump runs for a specific period. To enable the input it is necessary to set parameter <b>P04</b> or <b>P05 = 08</b> and <b>P69 = 05</b>. The pump will run at <b>P19</b> minutes (Summer/Winter mode or Only Winter mode) or <b>P19/2</b> minutes (only Summer mode).</p>	00
<b>P09</b>	Manufacturer information	--
<b>P10</b>	<p>Heating setpoint setting OT / RT (Open Therm / Room Thermostat 120V~)</p> <p><b>00</b>= with Remote Control (RC) connected, the temperature request is the RC setpoint</p> <p><b>01</b>= The temperature Request is the highest set point between RC and PCB</p> <p><b>02</b> = The temperature request is the RU setpoint. The RT enable the gas boiler operates</p>	00
<b>P11..P12</b>	Manufacturer information	--
<b>P13</b>	Max. heating output <b>(0-100%)</b>	80
<b>P14</b>	DHW max. output <b>(0-100%)</b>	100
<b>P15</b>	Min. heating output <b>(0-100%)</b>	00
<b>P16</b>	<p>Maximum CH setpoint (°C)</p> <p><b>00</b> = 176°F/80°C - <b>01</b> = 113°F/45°C</p>	00
<b>P17</b>	Pump overrun time in heating mode <b>(01-240 minutes)</b>	03
<b>P18</b>	Burner ignition delay in CH mode <b>(00-10 minutes) - 00=10 seconds</b>	03
<b>P19</b>	Manufacturer information	07
<b>P20</b>	Pump overrun time in DHW mode <b>(seconds)</b>	30
<b>P21</b>	<p>Anti-legionellosis function</p> <p><b>00</b> = Disabled - <b>01</b> = Enabled</p>	00
<b>P22</b>	<p>Manufacturer information (set "<b>22</b>" to display parameters P71 and P72)</p>	00
<b>P23</b>	Maximum DHW setpoint temperature (113°-140°F /45°-60°C)	49
<b>P24</b>	Manufacturer information	35
<b>P25</b>	No water safety device	00
<b>P26..P31</b>	Manufacturer information	--
<b>P32..P41</b>	Diagnostics (See SERVICE Instructions)	--
<b>P44</b>	<p>Temperature unit setting</p> <p><b>00</b> = °C</p> <p><b>01</b> = °F</p>	01
<b>P71 *</b>	Maximum fan speed	--
<b>P72 *</b>	Minimum fan speed	--
<b>P78</b>	<p>0...10V selection input</p> <p><b>00</b> = Disabled</p> <p><b>01</b> = Setpoint modulating: 3V min setpoint CH and 10V max setpoint CH</p> <p><b>02</b> = Power modulating: 3V min CH power and 10V max CH power with setpoint fixed by HMI</p>	00
<b>P82</b>	<p>0...10V enabled/disabled function</p> <p><b>03</b> = 0...10V</p> <p><b>04</b> = Not used</p>	04

\* See Tables on SECTION 2.2 "PARAMETERS SETTING FOR HIGH ALTITUDE".

**NOTE :**

to scroll to parameter **P71** and **P72** it is necessary to set **P22** to 22 before scrolling up to the parameter.

## 14.1 ADJUSTING MAXIMUM HEATING POWER

The maximum heating power of the boiler can be reduced to suit the requirements of the heating system it serves. A table showing parameter P13 values according to the desired maximum power model is shown below for each single boiler. To access and edit **P13** values, proceed as described in the **PARAMETER SETTINGS** section.

**Boiler model - PARAMETER P13 (%) / Heating output**

Btu/h	kW	30 GA
17060	5	0
20,473	6	3
23,885	7	6
27,297	8	9
30,709	9	12
34,121	10	15
40,946	12	21
47,770	14	28
54,594	16	35
61,419	18	45
68,243	20	55
75,067	22	65
81,891	24	75
85,400	25	80

## 15. ANNUAL SERVICING

### DANGER OF BURNS

Wait for the appliance to cool down before working on the parts exposed to heat.

### WARNING

Before commencing any maintenance operations, make sure the boiler is disconnected from the power supply. After servicing, reset the original operating parameters of the boiler if they were changed.

### DANGER OF BURNS

Do not clean the boiler with abrasive, aggressive and/or easily flammable substances (such as petrol, acetone, etc.).

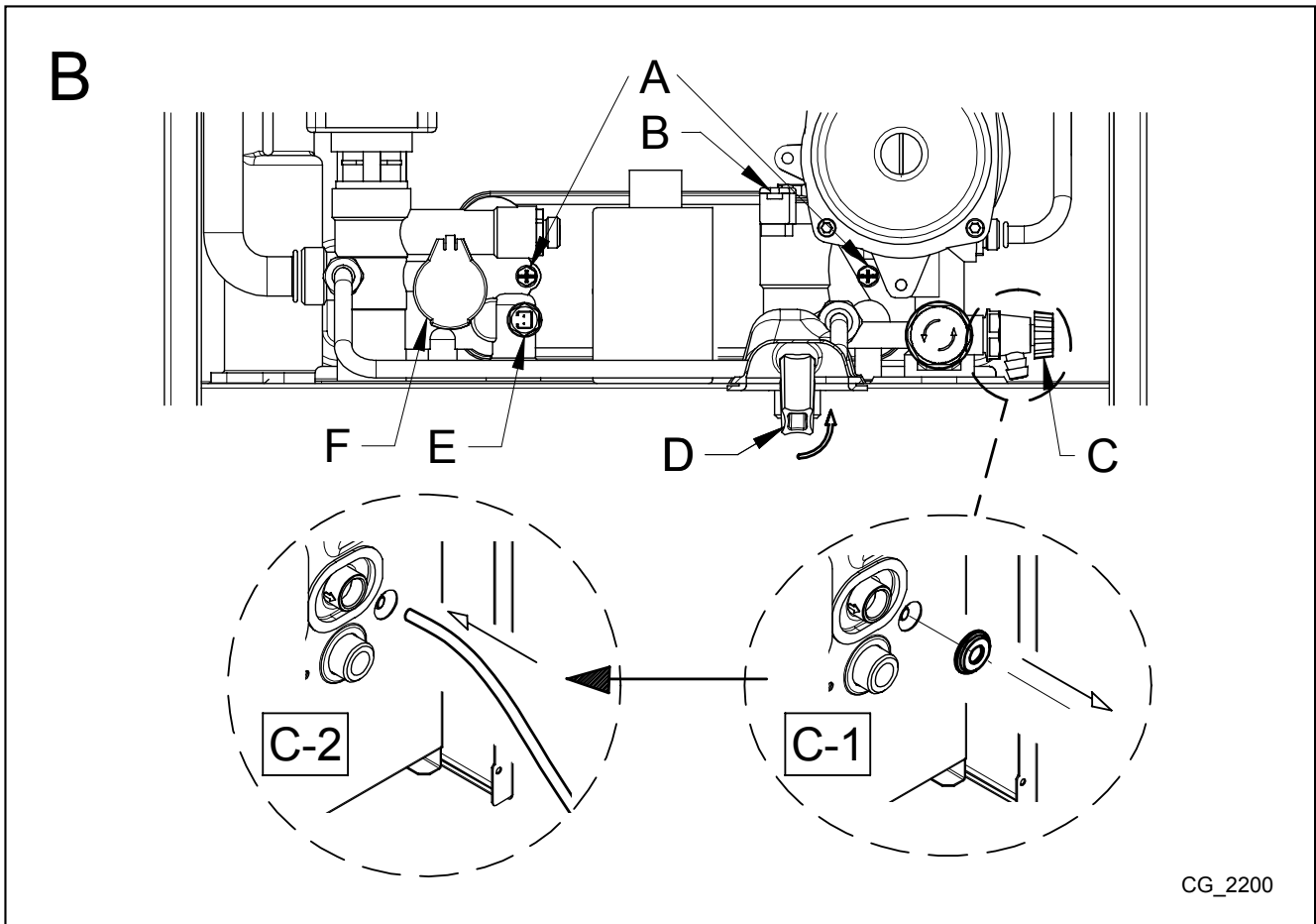
To optimize boiler efficiency, carry out the following annual maintenance:

- Check the appearance and airtightness of the gaskets of the gas and combustion circuits. Replace any worn seals with new original spares;
- Check the state and correct position of the ignition and flame-sensing electrodes;
- Check the state of the burner and make sure it is firmly fixed;
- Check for any impurities inside the combustion chamber. Use a vacuum cleaner to do this;
- Check the pressure of the heating system;
- Check the pressure of the expansion tank;
- Check the fan works correctly;
- Make sure the flue and air ducts are unobstructed;
- Check for any impurities inside the condensation trap;
- Check the magnesium anode, where present, for boilers fitted with indirect storage tanks.

## 15.1 HYDRAULIC UNIT

For special areas, where the water is harder than **20 °f = 200 ppm or 12 grains/ gallon** (1 f° = 10 ppm = 10 mg/l), install a polyphosphate dispenser or an equivalent treatment system, compliant with current regulations.

LEGEND



CG\_2200

A	DHW exchanger fixing screw
B	DHW priority sensor with filter
C	Boiler/system drain tap (C-1 & C-2: access to tap C - bottom of boiler)
D	Boiler / system filling tap
E	DHW temperature NTC probe
F	Low water cutoff

### 15.1.1 CLEANING THE COLD WATER FILTER

The boiler is fitted with a cold water filter located on the hydraulic assembly (B). To clean, proceed as follows:

- Drain the domestic hot water system.
- Remove the nut on the DHW priority sensor unit
- Pull out the flow sensor and its filter.
- Remove any impurities.

## WARNING

When replacing and/or cleaning the “O-rings” on the hydraulic assembly, only use Molykote 111 as a lubricant, not oil or grease.

### 15.2 FINAL COMMISSIONING

- Allow the heating system to heat up, then balance the system to achieve the necessary temperature difference across the heating supply and return pipes at the boiler and check the system for proper volume and pressure. (see section 2.7: "AVAIABLE PUMP HEAD FOR CENTRAL HEATING" and section 2.8: "SYSTEM VOLUME").
- Turn off the boiler.
- Thoroughly flush out the water pipework and clean the filters in the heating return and supply water isolating valves.
- Repressurize the system.

## 15.3 FINAL ASSEMBLY

- Place the front casing in position over the boiler ensuring the bottom is located behind the control panel and secure in position at the top using the screws previously removed.
- If the boiler is to be left in service with the User, set the controls and room thermostat (if fitted).
- If the boiler is not to be handed over immediately, close the boiler gas service cock and switch off the electrical supply.
- If there is any possibility of the boiler being left during frost conditions, then the boiler and system should be drained. (see section 18: "COMPONENT REPLACEMENT OR PERIODIC CLEANING"). It is recommended that a label is attached to the boiler drawing attention to the fact that the system has been drained.
- Complete the details of the installation on the back page of this manual.

## 15.4 USER INFORMATION

The User must be advised, and demonstrated if necessary, of the following important points:

- How to light and turn off the boiler and how to operate the system controls.
- The importance of annual servicing of the boiler to ensure safe and efficient operation.
- That any servicing or replacement of parts must only be carried out by qualified personnel.
- Ensure that the boiler controls and room thermostat, if fitted, are set to the User's requirements.
- Tell the User about the sealed system pressure.
- Tell the User that if the display is active and the boiler has not operated for 24 hours for heating or hot water, the pump will automatically operate for 5 minutes.
- Explain to the User that an internal frost thermostat is fitted in the boiler, and that electrical supply to the boiler must be left on for the thermostat to operate.
- Show the User the position of the pressure relief valve discharge pipe.
- Hand the User's instructions to the User.
- Leave these Installation and Servicing instructions with the User for use on future calls.

## 16. BOILER OPERATION

Domestic hot water supply always takes priority over central heating. If a demand for hot water is required during a central heating period, the boiler will automatically switch to the hot water mode until the demand is satisfied i.e. storage water is to the required temperature. This interruption in the central heating is only when the demand for hot water is present and should not be noticed by the User.

### 16.1 CENTRAL HEATING MODE

If there is a call for heat, the pump will start to circulate the central heating water, operating the flow switch. The fan will run; once the fan speed is reached the burner will light. The burner output then automatically adjusts to suit the system demand; as the temperature of the water in the boiler approaches that set by the adjustable temperature selector, the burner output is reduced. When the set temperature is reached, the burner is turned off and the fan stops. The pump continues to run for three minutes to remove residual heat build up in the boiler. The burner will not relight for 3 minutes. If the CH sensor has not registered the pre-set temperature but the room thermostat is satisfied the burner is turned off, the fan stops and the pump continues to run for three minutes. In this instance there is no 3 minute delay before the burner will relight. If there is a demand for DHW during the 3 minute burner delay, the boiler will operate to provide DHW until the tap is closed; the boiler will then immediately revert to provide CH if there is a demand.

### 16.2 DOMESTIC HOT WATER MODE

When a demand for hot water (by opening a hot tap, etc.) is sensed by the flow switch, the pump starts and the burner lights at its ignition output, increasing to its maximum output. Water in the boiler is then diverted from the central heating system to the domestic hot water heat exchanger, heating the incoming supply water. The burner output is varied to maintain the temperature of the hot water as that set by the adjustable temperature selector. When the flow switch senses that the hot water is no longer required the burner is turned off and the boiler immediately returns to the central heating mode.

### 16.3 FROST PROTECTION

The boiler incorporates a built in frost thermostat which automatically turns on the boiler and pump if the water in the boiler falls below 41°F / 5°C, providing the display is switched on the boiler will operate until the water temperature in the system reaches approximately 86°F / 30°C. Frost protection is for the boiler only and not for the complete Central Heating System.


### 16.4 PUMP

If the display is switched on and the boiler has not operated for 24 hours for heating or hot water, the pump will operate automatically for five minutes every 24 hours.

### 16.5 LWCO - LOW WATER CUT OFF

This device protects the primary exchanger from damage by not allowing the boiler to run in a LOW water pressure situation. The low water condition occurs when the water pressure drops below 7.0 psi (0.5 bar), approximately.

## 16.6 SAFETY FLUE THERMOSTAT

This device, positioned on the flue inside the boiler, interrupts the flow of gas to the burner if the temperature overheats. After verifying the cause of the trip, press  for at least 2 seconds.

## DANGER

It is forbidden to disable this safety device.

## 16.7 REPLACEMENT OF PARTS

Perform the Automatic Calibration procedure as described below if one or more of the following components are replaced. Check and adjust the CO<sub>2</sub>% value as indicated in the "Combustion Table".

Components replaced:

- Primary heat exchanger
- Fan
- Gas valve
- Gas nozzle
- Burner
- Flame sensing electrode




## IMPORTANT INFORMATION

When working on the appliance, check the condition and position of the flame sensing electrode and replace it if necessary.

## AUTOMATIC CALIBRATION FUNCTION



## WARNING


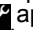
During this function ensure there is maximum heat exchange to the system in the Heating or DHW mode (DHW request) in order to avoid the boiler shutting off due to overheating.


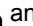

Press  and  together and hold down for at least 6 seconds. When the display indicates "On" press  (within 3 seconds after pressing the previous buttons).


## IMPORTANT INFORMATION

If the display indicates "303" the Automatic Calibration function has not been activated. Disconnect the boiler from the mains power supply for a few seconds and repeat the procedure.

When the function is enabled,  and  flash on the display

After the ignition sequence, which can also take place after a few attempts, the boiler performs three operations (each lasting approximately 1 minute) going first to maximum power, then to ignition power and lastly to minimum power. Before moving on to the following phase (from maximum power to ignition power and then to minimum power),  and  appear on the display. During this phase, the power level reached by the boiler and the delivery temperature alternate on the display.

When ,  and  flash together on the display, the calibration function has terminated.

Press  to leave the function. The display shows **ESC**.

## IMPORTANT INFORMATION

In case the Calibration function doesn't complete the function, press  button to exit and decrease the Maximum fan speed (parameter P71) before performing again the function. For details see the Service Manual.

## 17. ROUTINE SERVICING

To ensure efficient operation of the boiler it is recommended that it is checked and serviced as necessary at regular intervals. The frequency of servicing will depend upon the particular installation conditions and usage, but in general once per year should be adequate.

The manufacturer recommends that any service work must be carried out by a licensed technician.

### CAUTION

**Label all wires prior to disconnection when servicing controls. Wiring errors can cause improper and dangerous operation.**

### IMPORTANT NOTES PRIOR TO SERVICING

### WARNING

The combustion chamber insulation in this product contains ceramic fibre material. Ceramic fibres can be converted to cristobalite in very high temperature applications. The International Agency for Research on Cancer (IARC) has concluded, Crystalline silica inhaled in the form of quartz or cristobalite from occupational sources is carcinogenic to humans (Group1). Avoid breathing dust and contact with skin and eyes. Use NIOSH certified dust respirator (N95). This type of respirator is based on the OSHA requirements for cristobalite at the time this document was written. Other types of respirators may be needed depending on the job site conditions. Current NIOSH recommendations can be found on the NIOSH website at <http://www.cdc.gov/niosh/homepage.html>. NIOSH approved respirators, manufacturers, and phone numbers are also listed on this website. Wear long-sleeved, loose fitting clothing, gloves, and eye protection. Apply enough water to the combustion chamber lining to prevent dust Wash potentially contaminated clothes separately from other clothing. Rinse clothes washer thoroughly.

**NIOSH stated First Aid.**  
**Eye: Irrigate immediately.**  
**Breathing: Fresh air.**

- Check the flue terminal outside and ensure it is not blocked.
- Run the boiler and check the operation of its controls.
- Ensure that all system connections and fittings are sound. Remake any joints and check the tightness of any fittings that may be leaking.
- It is recommended that the operation of the safety valve is checked by lifting the lever at the top of the valve upwards, allowing water to escape from the system - check that this is actually happening.

To ensure the boiler operates at peak efficiency, the following checks must be performed every year:

- check on the appearance and tightness of the gas and combustion circuit gaskets
- check on the condition and position of the ignition and flame sensing electrodes
- check on the condition of the burner and its fixing to the aluminium flange
- check for any dirt in the combustion chamber. Use a vacuum-cleaner for this cleaning operation
- check that the gas valve is calibrated correctly
- check that there is no dirt in the condensate trap
- check on the central heating system pressure
- check on the expansion tank pressure
- check the vent system and clean it if necessary

Record details of the service in the "SERVICE HISTORY" section on last page of this manual.

### WARNING

**Before servicing the boiler isolate the electrical supply and close the boiler gas service cock. Allow the boiler to cool. Always test for gas leaks after servicing any gas carrying components. Verify proper operation after servicing.**

## 18. COMPONENT REPLACEMENT AND PERIODIC CLEANING

It is the law that any service work must be carried out by a competent person.

### WARNING

Before replacing any boiler components, isolate the electrical supply and close the boiler gas service cock. Allow the boiler to cool.  
Always test for gas leaks after replacing any gas carrying components or disturbing any gas connections.  
Check the operation of the boiler. (see section 16: "BOILER OPERATION"). Ensure that all the controls are returned to their original settings.

#### CLEANING THE BOILER

- Remove any deposits from heat exchanger using a suitable soft brush. Do not use a brush with metallic bristles.
- Check the condition of the combustion chamber insulation panels. Any damaged panels must be replaced.
- Check the condition of the burner injector on the manifold, carefully clean it with a soft brush if necessary. Do not use a brush with metallic bristles as this might damage the injector.
- Remove any fallen deposits from the bottom of the inner case.
- Clean the burner with a soft brush and check that the flame ports are clear. Blockages may be removed with a stiffer brush.
- Check the condition of the electrodes.
- Check the spark gap, positioning and height of the electrodes.
- Check that the fan impeller is clean and free to rotate.

#### 18.1 DRAINING THE BOILER

Isolate the electricity supply and close the boiler gas service cock (see section 3: "GENERAL BOILER INFORMATION"). Allow the boiler to cool.

- **Heating circuit**

Close the central heating flow and return valves (see section 3: "GENERAL BOILER INFORMATION"). Connect a suitable pipe to the drain point and route it to a suitable container. Open the drain tap.

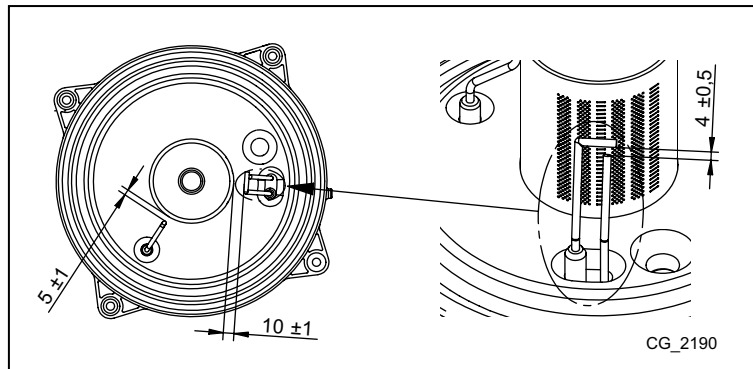
- **Hot water circuit**

Close the cold water inlet valve (see section 3: "GENERAL BOILER INFORMATION"). Open any hot tap below the level of the boiler to allow as much draining as possible.

**Note:**

Some water will remain in the components and care must be taken when removing them.

#### 18.2 ELECTRODES



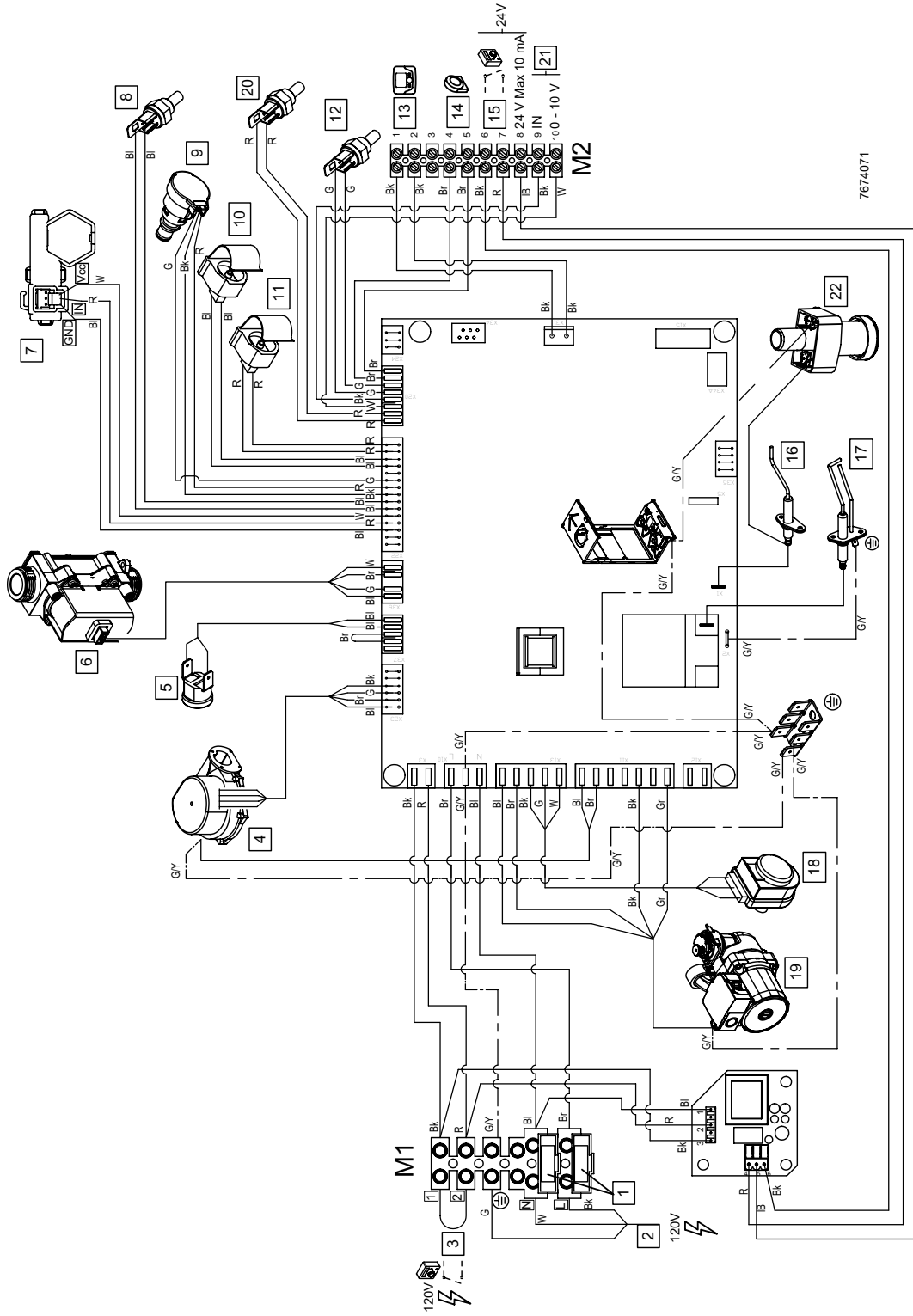
INSTALLER Section (en)





# 20. WIRING DIAGRAMS

INSTALLER Section (en)



7674071

<b>en</b>	
<b>1</b>	Fuses
<b>2</b>	120 V Power Supply
<b>3</b>	120V Room Thermostat (RT)
<b>4</b>	Fan
<b>5</b>	Central Heating Water Highlimit
<b>6</b>	Gas valve
<b>7</b>	DHW priority sensor
<b>8</b>	NTC exchanger flue sensor
<b>9</b>	Low Water Cutoff
<b>10</b>	Heating return sensor
<b>11</b>	Heating flow sensor
<b>12</b>	NTC DHW sensor
<b>13</b>	Low voltage connection
<b>14</b>	Outdoor sensor
<b>15</b>	24V Room Thermostat (RT)
<b>16</b>	Flame sensor electrode
<b>17</b>	Ignition electrode
<b>18</b>	Diverter valve motor
<b>19</b>	Pump
<b>20</b>	NTC flue sensor
<b>21</b>	Link 0 - 10V
<b>22</b>	Condensate sensor
<b>BI</b>	Blue
<b>IB</b>	light Blue
<b>Br</b>	Brown
<b>Bk</b>	Black
<b>R</b>	Red
<b>G/Y</b>	Yellow/Green
<b>G</b>	Green
<b>W</b>	White
<b>Gr</b>	Grey
<b>Y</b>	Yellow
<b>R.C.</b>	Relay Card

# SOMMAIRE

INFORMATIONS SUR LA SÉCURITÉ.....	49
DÉFINITIONS.....	49
ENCADRÉS POUR ATTIRER L'ATTENTION.....	49
AUTRES DÉFINITIONS.....	49
AVANT L'INSTALLATION ET LORS DE L'ENTRETIEN DE LA CHAUDIÈRE.....	50
LORS DU FONCTIONNEMENT DE LA CHAUDIÈRE.....	50
EAU DE LA CHAUDIÈRE.....	50
FLUIDES DE PROTECTION CONTRE LE GEL.....	50
ENLEVER UN APPAREIL DE CHAUFFAGE D'UN SYSTÈME DE VENTILATION COMMUN.....	51
SYSTÈME D'ÉLIMINATION DES CONDENSATS.....	51
1. INTRODUCTION.....	52
2. DONNÉES TECHNIQUES.....	52
2.1 PERFORMANCE.....	52
2.2 RÉGLAGE DES PARAMÈTRES POUR HAUTE ALTITUDE.....	53
2.3 SYSTÈME.....	53
2.4 COMPOSANTS PRINCIPAUX.....	53
2.5 INFORMATIONS D'INSTALLATION GÉNÉRALES.....	54
2.6 ÉLECTRIQUE.....	54
2.7 HAUTEUR D'ÉLÉVATION DISPONIBLE POUR LE CHAUFFAGE CENTRAL.....	54
2.8 VOLUME DU SYSTÈME.....	55
2.9 SCHÉMA DE LA CHAUDIÈRE.....	55
2.10 MENU D'INFORMATIONS DE LA CHAUDIÈRE.....	58
3. INFORMATIONS GÉNÉRALES SUR LA CHAUDIÈRE.....	59
3.1 DÉGAGEMENTS POUR L'ENTRETIEN.....	59
3.2 SÉLECTION DE L'EMPLACEMENT DE LA CHAUDIÈRE.....	60
3.3 POSITIONNEMENT DE LA CHAUDIÈRE.....	60
3.4 MONTAGE DE LA CHAUDIÈRE.....	60
3.5 RINÇAGE DU SYSTÈME.....	60
3.6 ALIMENTATION EN GAZ.....	60
3.7 ALIMENTATION ÉLECTRIQUE.....	61
3.8 ALIMENTATION EN AIR.....	61
3.9 MODE D'EAU CHAUDE SANITAIRE.....	61
3.10 POUR LE DUO-TEC 40 ET 1.33 AVEC RÉSERVOIR INDIRECT.....	61
3.11 MODE DE PROTECTION CONTRE LE GEL.....	61
3.12 PROTECTION DE LA POMPE.....	61
3.13 TUYAUTERIE DE GAZ.....	61
4. SYSTÈME DE VENTILATION.....	62
4.1 INSTALLATION DE LA VENTILATION D'ÉCHAPPEMENT ET DE LA VENTILATION D'ENTRÉE D'AIR.....	62
4.2 INSTRUCTIONS DE VENTILATION.....	63
4.3 SUPPORT DE VENTILATION CONCENTRIQUE.....	64
4.4 OPTIONS POUR LE CONDUIT DE FUMÉE.....	64
4.5 EMPLACEMENT DE LA VIS POUR LA VENTILATION CONCENTRIQUE.....	65
4.6 OPTIONS POUR L'INSTALLATION DE TERMINAUX DE FUMÉE HORIZONTAUX SÉPARÉS.....	66
4.7 TERMINAUX DE FUMÉE SÉPARÉS.....	66
4.8 SUPPORT POUR VENTILATION À DEUX TUYAUX.....	67
5. EMPLACEMENT DE LA CHAUDIÈRE.....	69
6. SYSTÈME DE CHAUFFAGE CENTRAL.....	69
7. REMPLIR LE SYSTÈME DE CHAUFFAGE CENTRAL.....	70
8. PRODUITS CHIMIQUES TOXIQUES.....	71
9. INSTALLATION DE CHAUFFAGE ET DE RÉFRIGÉRATION.....	71
10. INSTALLATION.....	71
10.1 CONNEXION DE LA TUYAUTERIE.....	71
10.2 CONNEXIONS ÉLECTRIQUES.....	71
10.3 RACCORDEMENT DU THERMOSTAT D'AMBIANCE.....	72
10.4 RACCORDER LE THERMOSTAT D'AMBIANCE À 24 V.....	72
10.5 GESTION ENTRÉE 0-10V.....	73
10.6 ACCESSOIRES.....	73
11. FONCTIONS SPÉCIALES.....	76
11.1 MISE EN SERVICE.....	76
11.2 FONCTION DE DÉSÀÉRATION.....	77
11.3 FONCTION DE RAMONAGE.....	77
11.4 FONCTION D'AJUSTEMENT DE LA COMBUSTION (CO <sub>2</sub> %).....	77
11.5 MESSAGES D'ERREURS ET RÉINITIALISATION DE LA CHAUDIÈRE.....	78
12. MISE EN SERVICE DE LA CHAUDIÈRE.....	79
12.1 ESSAI CONTRE LES FUITES DE GAZ ET PURGE DE L'ALIMENTATION EN GAZ.....	79
12.2 COMMANDES DE LA CHAUDIÈRE.....	79
12.3 SOUPAPE DE GAZ.....	80
12.4 CHANGEMENT DU TYPE DE GAZ.....	80
13. PROGRAMMATION DE PARAMÈTRES.....	80
13.1 RÉGLAGE PUISSANCE DE CHAUFFE MAXIMUM.....	82
14. ENTRETIEN ANNUEL.....	82
14.1 UNITÉ HYDRAULIQUE.....	83
14.2 MISE EN SERVICE FINALE.....	83
14.3 ASSEMBLAGE FINAL.....	84
14.4 INFORMATIONS POUR L'UTILISATEUR.....	84
15. FONCTIONNEMENT DE LA CHAUDIÈRE.....	84
15.1 MODE DE CHAUFFAGE CENTRAL.....	84
15.2 MODE D'EAU CHAUDE SANITAIRE.....	84
15.3 PROTECTION CONTRE LE GEL.....	84
15.4 POMPE.....	84
15.5 CBNE - COUPURE POUR BAS NIVEAU D'EAU.....	84
15.6 THERMOSTAT DE SÉCURITÉ DU CONDUIT DE FUMÉE.....	85
15.7 REMPLACEMENT DES COMPOSANTS.....	85
15.8 FONCTION D'ÉTALONNAGE AUTOMATIQUE.....	85
16. ENTRETIEN COURANT.....	86
16.1 REMARQUES IMPORTANTES AVANT L'ENTRETIEN.....	86
16.2 REMPLACEMENT DE COMPOSANTS ET NETTOYAGE PÉRIODIQUE.....	87
16.3 VIDANGE DE LA CHAUDIÈRE.....	87
16.4 ÉLECTRODES.....	87
17. SCHÉMAS DE CÂBLAGE.....	90

## Installateur qualifié titulaire d'un permis/technicien d'entretien

Avant de commencer l'installation et l'entretien, lire toutes les instructions du présent manuel et de la section sur la ventilation de la chaudière. Exécuter les diverses étapes dans l'ordre indiqué.

### Utilisateur

Le présent manuel est destiné exclusivement aux installateurs de chauffage qualifiés titulaires d'un permis/techniciens d'entretien. Consulter le Manuel d'informations de l'utilisateur à titre de référence.

La vérification et l'entretien de la chaudière doivent être réalisés annuellement par un technicien d'entretien qualifié titulaire d'un permis.

Après la mise en service, assurez-vous que vous avez été avisé, et qu'on vous a faites la démonstration, au besoin, de tous les points importants, comme indiqué à la section 16 : « FONCTIONNEMENT DE LA CHAUDIÈRE ».

## INFORMATIONS SUR LA SÉCURITÉ

### DÉFINITIONS

Les termes suivants sont utilisés dans le présent manuel pour attirer l'attention sur la présence de dangers de différents niveaux de risques ou pour des informations importantes concernant le produit.

## ENCADRÉS POUR ATTIRER L'ATTENTION

### DANGER

« DANGER » indique une situation dangereuse imminente qui, si elle n'est pas évitée, entraînera la mort ou des blessures graves.

### AVERTISSEMENT

« AVERTISSEMENT » indique une situation potentiellement dangereuse qui, si elle n'est pas évitée, pourrait entraîner la mort ou des blessures graves. Si les informations contenues dans le présent manuel ne sont pas suivies à la lettre, un incendie ou une explosion peut entraîner des dommages matériels, des blessures ou la mort.

### ATTENTION

« ATTENTION » indique une situation dangereuse imminente qui, si elle n'est pas évitée, entraînera des blessures et d'importants dommages matériels.

### AUTRES DÉFINITIONS

**Installateur qualifié/Service Technique agréé** – tout individu, entreprise, société ou compagnie qui, directement ou par l'entremise d'un représentant est responsable de l'installation, du remplacement, de la réparation ou de l'entretien des tuyauteries de gaz, des systèmes de ventilation, des appareils, des composants, des accessoires ou des équipements, et dont le représentant a de l'expérience et une formation pour ce genre de travail et s'est conformé aux exigences de l'autorité ayant juridiction.

**LES RÈGLEMENTS PROVINCIAUX/FÉDÉRAUX PERMETTENT L'INSTALLATION DE CE PRODUIT SEULEMENT PAR DES ENTREPRENEURS DE GAZ AUTORISÉS. CEPENDANT, BAXI CONSEILLE QUE SEULS LES ENTREPRENEURS FORMÉS DANS LES DÉTAILS PARTICULIERS DU PRODUIT BAXI DOIVENT ENTREPRENDRE L'INSTALLATION.**

**Entretien** — la fourniture, l'installation ou l'entretien de biens exécuté par un Installateur qualifié/technicien d'entretien.

**Fournisseur de gaz** — une partie qui vend du Gaz A (Gaz Naturel) ou Gaz E (GPL) comme marchandise.

**Sanitaire** — relatif à l'usage des ménages, par opposition à l'usage commercial.

**Eau sanitaire** — l'eau du robinet (eau courante) fait partie de la plomberie intérieure.

**Combustion** — l'acte ou le processus de combustion; un processus où deux produits chimiques sont combinés pour produire de la chaleur; un processus où un combustible est combiné à l'oxygène, généralement à haute température, libérant de la chaleur.

**Air comburant** — l'air qui est aspiré dans un appareil pour être mélangé avec le carburant et soutient la combustion.

**Conduit de fumée** — un passage fermé pour le transport des gaz de combustion.

**Étalonnage** — effectuer des réglages minutieux ou diviser en intervalles marqués pour mesurer de manière optimale.

**Appareil** — un dispositif pour convertir le gaz en énergie; le terme comprend tout composant, contrôle, câblage, tuyauterie ou tubage requis pour l'appareil.

**Chaudière** — un appareil destiné à alimenter un liquide chaud à des fins de chauffage de locaux, de traitement ou de puissance.

**Système à deux tuyaux** — ce type de ventilation permet aux conduits d'échappement et d'entrée d'air d'être séparés les uns des autres. L'air frais peut être admis à un site différent de celui où le terminal de fumée est situé.



**BAXI** l'une des entreprises leader en Europe dans la production de chaudières et d'appareils de chauffage à haute technologie, a obtenu la certification CCSQ pour les systèmes de gestion en matière de qualité (ISO 9001), environnement (ISO 14001), santé et sécurité (OHSAS 18001). Ce certificat atteste que BAXI S.p.A. fixe comme objectifs stratégiques de l'entreprise la sauvegarde de l'environnement, la fiabilité et la qualité des produits, la santé et la sécurité des employés. L'entreprise à travers son organisation s'engage constamment dans la réalisation et l'amélioration de ces aspects en vue de satisfaire au mieux les demandes des clients.



Section INSTALLATEUR (fr)

## AVERTISSEMENT

Le non-respect des indications susmentionnées peut entraîner la mort ou de graves blessures, ainsi que d'importants dommages matériels. Le non-respect des lignes directrices de la présente page peut entraîner la mort ou de graves blessures, ainsi que d'importants dommages matériels.

## AVERTISSEMENT

Si les informations contenues dans les présentes instructions ne sont pas suivies à la lettre, un incendie ou une explosion peut entraîner des dommages matériels, des blessures ou la mort.  
Ne pas stocker ou utiliser de l'essence ou d'autres vapeurs et liquides inflammables à proximité de cet appareil ou de tout autre appareil.

### QUE FAIRE EN CAS D'ODEUR DE GAZ ?

- Ne tenter d'allumer aucun appareil.
- N'actionner aucun interrupteur électrique; ne pas utiliser les téléphones situés dans le bâtiment.
- Appeler immédiatement votre fournisseur de gaz ou votre technicien qualifié titulaire d'un permis en téléphonant de chez un voisin. Suivre les instructions du fournisseur de gaz ou du technicien qualifié titulaire d'un permis.
- S'il n'est pas possible de joindre le fournisseur de gaz ou votre technicien qualifié titulaire d'un permis, appeler le service d'incendie.

## AVERTISSEMENT

Baxi conseille d'utiliser un détecteur de monoxyde de carbone avec la gamme de chaudières Baxi. Lors de l'installation d'un détecteur de monoxyde de carbone, suivre scrupuleusement les instructions du fabricant du détecteur de monoxyde de carbone. Il est conseillé d'utiliser un détecteur de monoxyde de carbone conforme à une norme reconnue internationalement comme ANSI/UL 2034- 2002 aux États-Unis ou CSA 6.19-01 au Canada.

## AVERTISSEMENT

L'installation et l'entretien doivent être exécutés par un fournisseur de gaz ou un installateur qualifié titulaire d'un permis/technicien d'entretien. « En cas de surchauffe ou si l'alimentation en gaz ne s'arrête pas, ne pas éteindre ou ne pas déconnecter l'alimentation électrique à la pompe. Au lieu de cela, couper l'alimentation en gaz à un emplacement externe à l'appareil. » Ne pas utiliser cette chaudière si une ou plusieurs parties ont été sous l'eau. Appeler immédiatement un technicien d'entretien qualifié, afin d'inspecter la chaudière et de remplacer toute pièce du système de contrôle, ainsi que toute commande de gaz qui ont été sous l'eau.

### AVANT L'INSTALLATION ET LORS DE L'ENTRETIEN DE LA CHAUDIÈRE

- Pour éviter des électrocutions, mettre l'appareil hors tension avant de commencer l'entretien.
- Pour éviter de graves brûlures, laisser la chaudière refroidir avant de commencer l'entretien.

### LORS DU FONCTIONNEMENT DE LA CHAUDIÈRE

- Ne jamais bloquer le flux de combustion ou l'air d'admission à la chaudière.
- En cas de surchauffe ou si l'alimentation en gaz ne s'arrête pas, ne pas éteindre et déconnecter l'alimentation électrique à la pompe. Au lieu de cela, couper l'alimentation en gaz à un emplacement externe à l'appareil.
- Ne pas utiliser cette chaudière si une ou plusieurs parties ont été sous l'eau. Appeler immédiatement un technicien d'entretien qualifié, afin d'inspecter la chaudière et de remplacer toute pièce du système de contrôle, ainsi que toute commande de gaz qui ont été sous l'eau.

### EAU DE LA CHAUDIÈRE

- En présence d'une ancienne installation équipée de radiateurs en fonte, purger tout le système (chaudière non branchée) pour éliminer toute trace de sédiment. L'accumulation de corrosion engendrée par les sédiments pourrait endommager l'échangeur thermique à haut rendement.
- Ne jamais utiliser de produits de nettoyage ou d'étanchéification à base de pétrole dans l'installation de la chaudière. Ils pourraient détériorer les joints d'étanchéité du système. Cette détérioration pourrait entraîner d'importants dommages matériels.
- Ne jamais utiliser de « remèdes maison » ou de « produits brevetés pour chaudière ». Leur emploi pourrait causer des dommages à la chaudière, entraîner d'importants dommages matériels et/ou de graves blessures.
- L'ajout continu d'eau fraîche réduira la durée de vie de la chaudière. Les accumulations de sels minéraux dans l'échangeur thermique réduisent le transfert de chaleur, surchauffent l'échangeur thermique en acier inoxydable et causent une défaillance. L'oxygène apporté par l'eau fraîche peut entraîner la corrosion interne des composants du système. Les fuites dans la chaudière ou dans la tuyauterie doivent être réparées, afin d'éviter tout ajout d'eau.
- Nous recommandons l'utilisation d'additifs de traitement de l'eau pour accroître la durée de vie de la chaudière et la protéger contre la corrosion et les accumulations de contaminants dans le système de chauffage.
- S'assurer que la tuyauterie du système de chauffage est munie d'une barrière contre l'oxygène.

### FLUIDES DE PROTECTION CONTRE LE GEL

## ATTENTION

Ne jamais utiliser de glycol automobile, de glycol (antigel) standard ou même de l'éthylène glycol prévu pour des systèmes hydroniques. N'utiliser que des solutions de propylène glycol inhibé formulées spécifiquement pour les systèmes hydroniques. L'éthylène glycol est toxique et peut détériorer les joints d'étanchéité des systèmes hydroniques. S'assurer que le glycol utilisé ne dépasse jamais 35% du volume de l'installation, car cela pourrait endommager les composants de cette dernière.  
Choisir l'emplacement de la chaudière en tenant compte de l'installation et de la tuyauterie. En cas de livraison endommagée ou incomplète, le destinataire devra immédiatement porter plainte auprès du transporteur.

## ENLEVER UN APPAREIL DE CHAUFFAGE D'UN SYSTÈME DE VENTILATION COMMUN

Au moment de l'enlèvement d'un appareil de chauffage existant, les étapes énoncées ci-dessous devront être exécutées sur tous les appareils qui resteront raccordés au système de ventilation commun en fonction, alors que les autres appareils restant branchés au système de ventilation commun ne sont pas en service.

- Sceller toutes les ouvertures inutilisées dans le système de ventilation commun.
- Inspectez visuellement le système de ventilation afin de s'assurer que sa dimension et son angle d'horizontalité sont adéquats, puis qu'il n'y a pas d'obstructions, de fuites, de corrosion ou d'autres problèmes pouvant être une source de danger.
- Si possible, fermer toutes les portes et les fenêtres du bâtiment, ainsi que toutes les portes entre le lieu où l'appareil est branché au système de ventilation commun et les autres espaces du bâtiment. Brancher toutes les sècheuses à linge et tous les appareils non reliés au système de ventilation commun. Brancher à vitesse maximale tous les ventilateurs, comme les hottes de cuisine et les aspirateurs d'évacuation des salles de bains. Ne pas brancher les ventilateurs d'évacuation d'été. Fermer tous les registres de foyers.
- Brancher l'appareil à inspecter. Suivre les instructions d'allumage. Régler le thermostat de manière à ce que l'appareil fonctionne continuellement.
- Tester pour voir s'il y a un déversement au niveau de l'ouverture du coupe-tirage après 5 minutes de fonctionnement du brûleur principal. Utiliser la flamme d'une allumette ou d'une bougie.
- Après l'exécution de l'essai ci-dessus indiquant que tous les appareils qui restent branchés au système de ventilation commun fonctionnent correctement, remettre toutes les portes, les fenêtres, les ventilateurs, les registres de foyers et tous autres appareils à combustion à gaz dans leur condition initiale.
- Toutes défaillances du système de ventilation commun doivent être réparées de manière à ce que l'installation soit conforme au « National Fuel Gas Code », ANSI Z223.1.

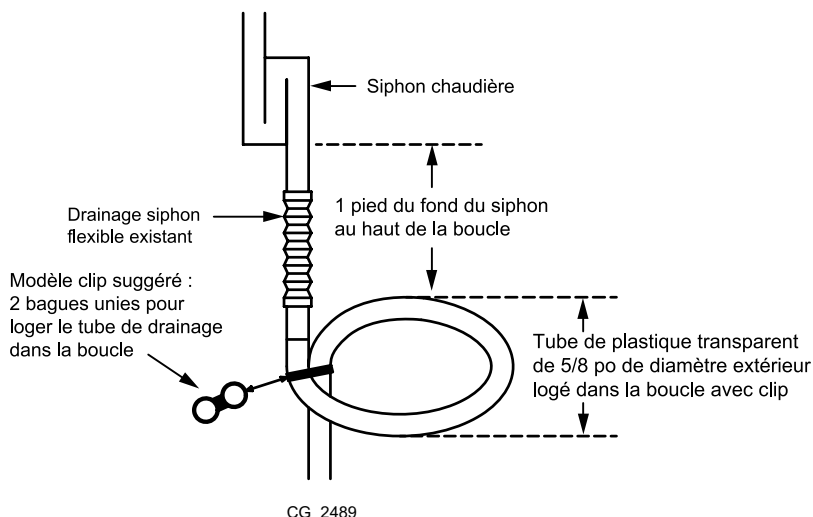
Lors du redimensionnement de toute portion du système de ventilation commun, remettre à la cote de manière à s'approcher de la dimension minimale, telle que déterminée en utilisant les tableaux appropriés de l'Annexe G dans le « National Fuel Gas Code », ANSI Z 223.1

## AVERTISSEMENT

Après l'entretien, vérifier le bon fonctionnement.

### SYSTÈME D'ÉLIMINATION DES CONDENSATS

Cet appareil est une unité à condensation à haut rendement, il est équipé d'un système d'élimination des condensats. Les condensats ne sont rien d'autre que de la vapeur d'eau, dérivée de la combustion de produits. Il est très important que la conduite de condensat soit inclinée loin de la chaudière et vers le bas pour que les condensats s'écoulent vers une évacuation adaptée. Si les autorités locales l'exigent, un filtre pour les condensats peut être préparé à l'aide de cristaux de chaux, de marbre ou de pailles de phosphate qui neutraliseront les condensats. Cela peut être préparé sur place par l'installateur. Il est aussi très important que la conduite de condensat ne soit exposée ni au gel, ni à aucune autre forme d'obstruction. Le tuyau en plastique doit être le seul matériau utilisé pour la conduite de condensat. L'acier, le laiton, le cuivre et les autres métaux seraient endommagés par la corrosion ou la détérioration. Si la conduite comporte un long tronçon horizontal, une deuxième prise d'air peut être nécessaire afin d'éviter le blocage sous vide. De plus, il peut aussi s'avérer nécessaire d'augmenter la dimension du tuyau afin d'assurer un bon écoulement. Des supports de la conduite de condensats peuvent aussi être nécessaires pour éviter le blocage de l'écoulement des condensats.



## ATTENTION

**La conduite de condensats doit toujours être libre de toute obstruction, pour que les condensats puissent s'écouler librement. Si les condensats devaient geler dans la conduite ou si celle-ci était obstruée, les condensats s'écouleraient directement à partir du purgeur de condensat de la chaudière et risqueraient de provoquer des dommages d'eaux aux biens.**

### Remarque :

Utiliser des matériaux approuvés par les autorités compétentes. Dans l'absence d'exigences contraires, le tuyau en PVC et en CPVC doit être conforme aux exigences ASTM D1785, F441 ou D2665. Le ciment et le primaire doivent être conformes aux exigences ASTM D2564 ou F493. Pour le Canada, utiliser des tuyaux en PVC ou CPVC, des accessoires et des ciments certifiés CSA ou ULC. Lors de l'installation d'une pompe à condensat, sélectionner un modèle approuvé pour l'utilisation avec des calorifères et des chaudières à condensation. La pompe doit être équipée d'un commutateur de débordement, afin d'éviter tout dommage matériel en cas d'écoulement des condensats. Les condensats de la chaudière seront légèrement acides (en général, avec un pH de 3,0 à 4,0). Certains codes locaux exigent l'installation d'un filtre de neutralisation.

# 1. INTRODUCTION

Cette chaudière à condensation est murale, combinée à chambre étanche et équipée d'un ventilateur.

Elle assure aussi bien le chauffage central que celle de l'eau chaude sanitaire à la pression du réseau, elle est conçue pour être utilisée dans une installation de chauffage avec pompe complètement étanche et pressurisée.

La chaudière est munie d'une pompe, d'un inverseur, d'une soupape de décharge, d'un vase d'expansion et d'un manomètre déjà assemblé et entièrement mis à l'essai.

Telle que fournie, la chaudière s'ajuste automatiquement pour la production de chauffage central entre 15,350 et 85,400 Btu/h (4.5 et 25.0 kW).

La puissance maximale disponible pour l'eau chaude sanitaire est de 105,500 Btu/h (30.9 kW), ce qui correspond à la production de 2.50 (É.-U.) gpm (11.4 litres/min) et à une augmentation de température de 70 °F / 39 °C.

## AVERTISSEMENT

**La loi prévoit que toute installation d'appareils à gaz soit effectuée par des professionnels qualifiés. Il est dans votre intérêt et dans l'intérêt de votre sécurité de s'assurer que la loi est observée.**

- Aux États-Unis, l'installation doit être conforme aux exigences en vigueur imposées par l'organisme compétent ou, en absence de telles exigences, aux directives du « National Fuel Gas Code », ANSI Z223.1/NFPA 54. Lorsque l'organisme compétent en fait état, l'installation doit être conforme à la norme en vigueur pour le « Standard for Controls and Safety Devices for Automatically Fired Boilers », ANSI / ASME CSD-1. Les critères de l'allumage sécuritaire et de performance ont été respectés par l'assemblage des commandes et du collecteur de gaz effectué sur la chaudière au moment où on l'a soumise aux essais prévus par la dernière édition du Code ANSI Z21.13.
- Au Canada, l'installation doit être conforme au CODE D'INSTALLATION CGA B.149.1 et/ou aux codes d'installation locaux, aux codes d'eaux usées, ainsi qu'à tous autres codes applicables.
- Les dégagements requis des matériaux combustibles ainsi que la protection contre les matériaux combustibles.
- EN AUCUN CAS, les indications du fabricant n'auront de priorité sur les dispositions de la loi.

## 2. DONNÉES TECHNIQUES

### 2.1 PERFORMANCE

Chauffage Central		MAX.		MIN.
		0-2,000 pi 0-610 m	2,000-4,500 pi 610-1,370 m	
Débit thermique (Total)	Btu/h	93,550	88,873	16,650
	kW	27.4	26.0	4.9
Puissance thermique (modulation)	Btu/h	85,400	81,130	15,350
	kW	25.0	23.8	4.5
Débit de Gaz A (Gaz Naturel)	pi <sup>3</sup> /h	92.08	87.14	16.58
	m <sup>3</sup> /h	2.61	2.47	0.47
Débit de Gaz E (GPL)	pi <sup>3</sup> /h	36.34	34.57	6.35
	m <sup>3</sup> /h	1.03	0.98	0.18
Temp. max. de l'eau du CC (Approx.)	°F	176		
	°C	80		

Eau Chaude Sanitaire		MAX.		MIN.
		0-2,000 pi 0-610 m	2,000-4,500 pi 610-1,370 m	
Débit thermique (Total)	Btu/h	115,500	109,725	16,650
	kW	33.8	32.2	4.9
Puissance thermique (modulation)	Btu/h	105,500	100.225	15,350
	kW	30.9	29.4	4.5
Débit de Gaz A (Gaz Naturel)	pi <sup>3</sup> /h	113.60	107.96	16.58
	m <sup>3</sup> /h	3.22	3.06	0.47
Débit de Gaz E (Gaz GPL)	pi <sup>3</sup> /h	44.81	42.63	6.35
	m <sup>3</sup> /h	1.27	1.21	0.18
Débit à 70 °F / 39 °C d'augmentation		2.50 gpm (U.S.) - 11.4 l/min		
Temp. max. de l'eau du ECS (Approx.)	°F	140		
	°C	60		



## 2.2 RÉGLAGE DES PARAMÈTRES POUR HAUTE ALTITUDE

DUO-TEC COMPACT 30	Gaz naturel (A) 17.4 mbar 7.0 en CE		GPL (E) 27.4 mbar 11.0 en CE	
	0 - 2000 Pi 0 - 610 m	2000 - 4500 Pi 610 - 1370 m	0 - 2000 Pi 0 - 610 m	2000 - 4500 Pi 610 - 1370 m
Paramètre P71 * Vitesse du ventilateur (tours/min)	220 7,200	190 6,900	220 7,200	190 6,900
Paramètre P72 * Vitesse du ventilateur (tours/min)	55 1,300		55 1,300	
Limite CO (ppm)	<400			

\* Pour modifier la vitesse du ventilateur, voir la section 14.

En case de installation en haute altitude activer la procédure fonction d'étalonnage automatique (voir la section 16.8).

Au-dessus de 2000 ft (610 m), la chaudière déclassée de 4% pour chaque 1000 ft (305 m) de gain d'altitude.

## 2.3 SYSTÈME

Chauffage central (Installation étanche)	
Pression max. de l'installation	30.00 psi / 2.11 bar
Pression min. de l'installation	7.25 psi / 0.50 bar
Température max. de l'installation	176 °F / 80 °C
Réglage de la soupape de surpression	30.00 psi / 2.11 bar
Dimension du vase d'expansion (pression de précharge)	1.5 gal / 7.0 l à 11.6 psi / 0.8 bar
Départ eau	3/4" / 22.2 mm
Retour eau	3/4" / 22.2 mm
Connexion de soupape de surpression	3/4" / 22.2 mm
Pression recommandée de l'installation (froide)	21.7 psi / 1.5 bar

Eau chaude sanitaire	
Pression max. d'entrée eau	116 po / 8 bar
Pression min. d'entrée eau	2.9 po / 0.2 bar
Débit ECS min.	0.55 gpm / 2.50 l/min
Connexion d'entrée eau froide	1/2" / 15.9 mm
Connexion de sortie ECS	1/2" / 15.9 mm
Température max. ECS	140°F / 60°C
Teneur en eau ECS	0.05 gal / 0.23 l

## 2.4 COMPOSANTS PRINCIPAUX

Brûleur	Acier inoxydable
Échangeur thermique principal	Acier inoxydable
Échangeur thermique d'eau chaude sanitaire	Acier inoxydable
Pompe	Grundfos UPR 15 - 58
Ventilateur	EBM PAP ST NGR 118/0800
Vanne gaz	BERTELLI & PARTNERS SGV 100
Inverseur	ELBI INTERNATIONAL

## 2.5 INFORMATIONS D'INSTALLATION GÉNÉRALES

Dimensions	Hauteur	27.56 po / 700.00 mm
	Largeur	15.75 po / 400.00 mm
	Profondeur	11.77 po / 299.00 mm
Connexion de gaz		3/4"
Teneur en eau primaire		0.95 gal / 3.60 l
Diamètre du conduit de ventilation air		3.93 po / 100.00 mm
Diamètre du conduit de ventilation fumée		2.36 po / 60.00 mm

Dégagements minimaux pour l'entretien		
	Haut	9.84 in / 250.00 mm
	Bas	9.84 in / 250.00 mm
	Côtés	1.77 in / 45.00 mm
	Avant	17.71 in / 450.00 mm
Dimension du système d'évacuation concentrique		3.93 in / 100.00 mm
Dimension du système d'évacuation à deux tuyaux		3.14 in / 80.00 mm
Terminal de fumée en saillie		4.52 in / 115.00 mm
Poids de levage		102.51 in / 46.50 mm

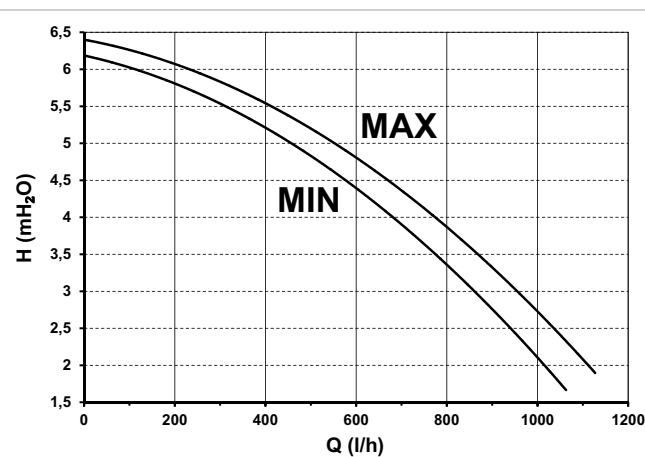
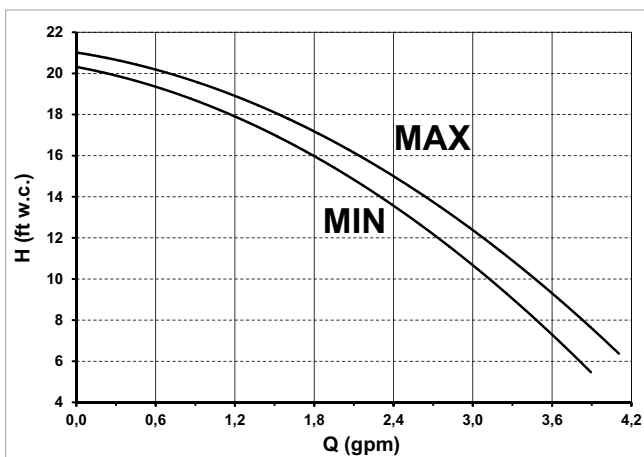
## 2.6 ÉLECTRIQUE

Alimentation	120 V - 60 Hz
Consommation d'énergie	427 Btu / h - 125 W
Fusible interne	F 3.15 A
Éclateur	1/8» à 3/16» 13.5 à 4.5 mm

## 2.7 HAUTEUR D'ÉLÉVATION DISPONIBLE POUR LE CHAUFFAGE CENTRAL

La pompe utilisée est du type à grande hauteur manométrique et elle est adaptée pour l'utilisation sur n'importe quel type de système de chauffage à un seul tuyau ou à deux tuyaux. Le clapet d'admission d'air automatique est incorporé dans la pompe et permet une purge rapide du système de chauffage.

<b>Q</b>	DÉBIT	<b>MIN</b>	Vitesse de modulation minimale
<b>H</b>	HAUTEUR MANOMÉTRIQUE	<b>MAX</b>	Vitesse de modulation maximale



## 2.8 VOLUME DU SYSTÈME

Basé sur le réglage de la soupape de sécurité à 30.00 psi / 2.11 bar

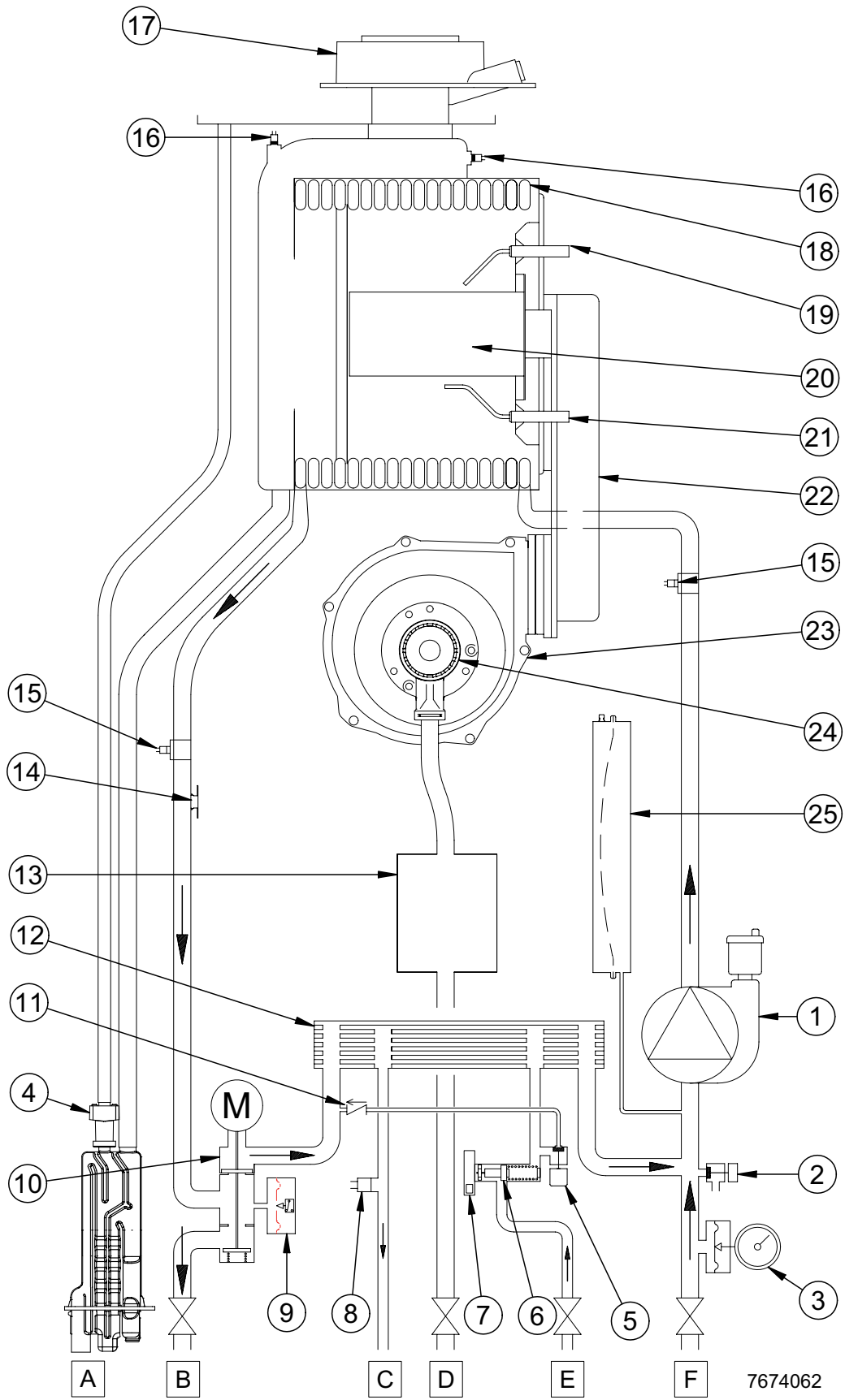
Remplissage du vase et pression initiale de l'installation	bar	0.5	1.0	1.5
	psi	7.25	14.5	21.7
Contenu total de l'eau de l'installation équipée d'un vase d'expansion de 2.2 gal / 10.0 l fourni avec l'appareil	Litre	120	91	64
	gal	26.4	20.0	14.1
Pour les installations ayant une capacité supérieure, MULTIPLIER la capacité TOTALE de l'installation en gallons (litres) par le facteur, afin d'obtenir la capacité TOTALE MINIMALE du vase d'expansion requise en gallons (litres)		0.0833	0.1090	0.1560

### Remarque :

Lorsque la chaudière est en marche à la température maximale et qu'elle fournit du chauffage à tous les émetteurs de chaleur en marche, le manomètre ne doit pas afficher plus de 26.11 psi/1.80 bar. Si la valeur affichée est supérieure à celle-ci, un vase d'expansion supplémentaire est requis.

## 2.9 SCHÉMA DE LA CHAUDIÈRE



- Lors de la demande de chauffage, l'eau circule dans le circuit primaire par le biais de la pompe.
- Le ventilateur de combustion s'allumera et commencera à fonctionner à la vitesse d'allumage.
- Une fois que le ventilateur atteint sa vitesse d'allumage, le tableau de commande fournira de la puissance pour alimenter l'allumeur et la soupape de gaz, qui créeront un allumage dans la chambre de combustion. Le détecteur de flamme reconnaîtra la présence d'une flamme dans la chambre de combustion et enverra un signal au tableau de commande.
- Le capteur de température enverra ensuite un signal au tableau de commande, en lui permettant ainsi d'augmenter/diminuer la vitesse du ventilateur. Le ventilateur de combustion pourra à son tour moduler le débit de gaz en conséquence.
- Une fois que la température du chauffage central en boucle dépasse le point de consigne du chauffage central en boucle, l'appareil s'arrêtera et passera par un réglage de temporisation de 3 minutes (temps de pause du brûleur), avant un autre appel à la chaleur.
- Pendant ce temps, la pompe fonctionnera pour une période supplémentaire de trois minutes, afin de dissiper toute chaleur résiduelle.



7674062

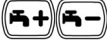
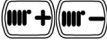



1	Pompe avec séparateur d'air
2	Robinet de vidange chaudière
3	Manomètre
4	Capteur de condensation
5	Robinet de remplissage de la chaudière
6	Capteur départ avec filtre à eau et limiteur de débit
7	Capteur de priorité sanitaire
8	Sonde NTC ECS
9	Interrupteur de bas niveau
10	Soupape à 3 voies avec moteur
11	Clapet de retenue
12	Échangeur thermique ECS
13	Vanne gaz
14	Thermostat de sécurité eau
15	Sonde NTC chauffage (départ/retour)
16	Sonde fumées
17	Connecteur coaxial
18	Échangeur primaire
19	Électrode d'allumage
20	Brûleur
21	Électrode de détection de flamme
22	Collecteur mélange air-gaz
23	Ventilateur
24	Mélangeur
25	Vase d'expansion
A	Purgeur de condensat
B	Connexion alimentation chauffage
C	Sortie ECS
D	Connexion d'entrée gaz
E	Connexion d'entrée eau froide
F	Connexion retour chauffage

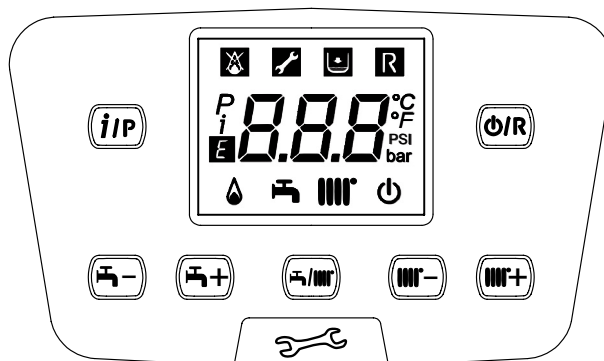
## 2.10 MENU D'INFORMATIONS DE LA CHAUDIÈRE

Appuyer sans relâcher sur la touche  pendant au moins une seconde pour afficher l'information indiquée dans le tableau ci-dessous. Appuyer sur la touche  pour quitter.













<i>i</i>	DESCRIPTION	<i>i</i>	DESCRIPTION
00	Code interne erreur secondaire	09	Point de consigne chauffage central (°F/°C)
01	Température de départ du chauffage (°F/°C)	10/11	Informations relatives à la fabrication
02	Température extérieure (°F/°C)	12	Température sonde fumées (°F/°C)
03	Température eau chaude sanitaire réservoir indirect (chaudière chauffage uniquement)	13	Informations relatives à la fabrication
04	Température eau chaude sanitaire (chaudière avec échangeur à plaques)	14	Communication identification « OpenTherm »
05	Pression eau installation de chauffage (PSI/bar)	15	Informations relatives à la fabrication
06	Température retour chaudière (°F/°C)	16	Informations relatives à la fabrication
07	État fusible thermique (000/001)	17	Vitesse du ventilateur ("i17"x100)
08	Non utilisé	18	Informations relatives à la fabrication

### Légende TOUCHES

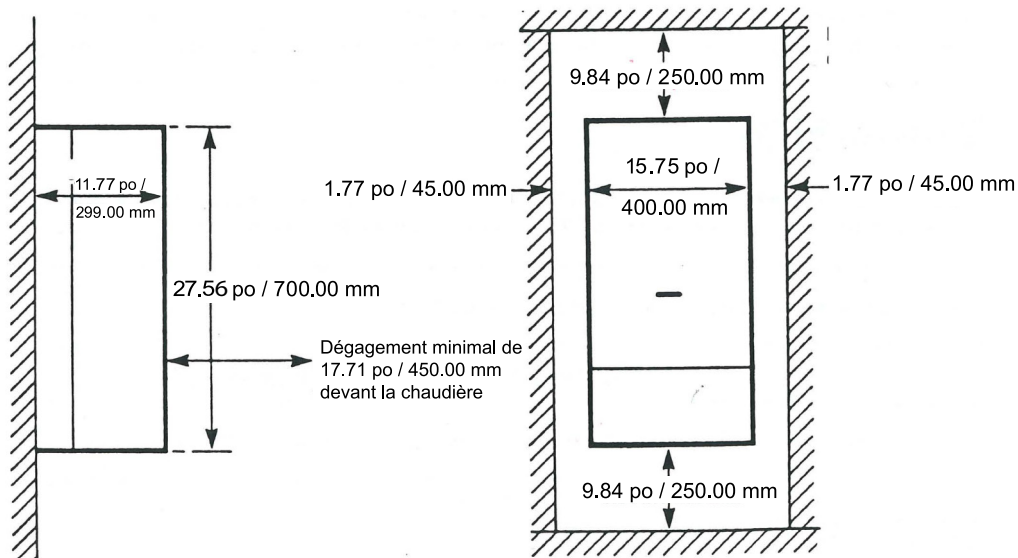
	Réglage température eau sanitaire (touche + pour augmenter la température et touche – pour la diminuer)
	Réglage température eau de chauffage (touche + pour augmenter la température et touche – pour la diminuer)
	Informations de fonctionnement chaudière
	Mode de fonctionnement : ECS – ECS & Chauffage – Seulement chauffage
	Éteint – Remise à zéro – Sortie menu/fonctions



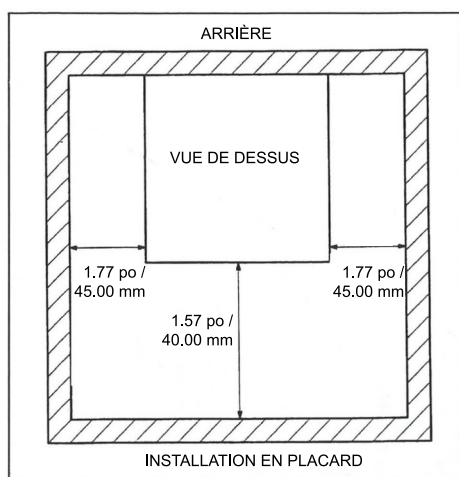
### Légende SYMBOLES

	Arrêté : chauffage et ECS désactivés (seule la protection contre le gel de la chaudière est activée)		Brûleur allumé
	Erreur d'allumage		Mode de fonctionnement ECS activé
	Basse pression eau chaudière/installation		Mode de fonctionnement chauffage activé
	Demande intervention Assistance technique		Menu de programmation
	Anomalie annulable manuellement (touche  )		Menu informations chaudière
	Anomalie en cours	°C, °F, bar, PSI	Unités de mesure programmées (SI/US)

### 3. INFORMATIONS GÉNÉRALES SUR LA CHAUDIÈRE DÉGAGEMENTS POUR L'ENTRETIEN



#### DÉGAGEMENTS REQUIS POUR INSTALLATION EN PLACARD

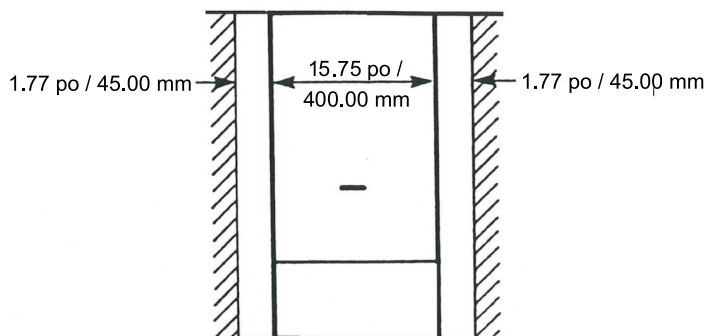


0 po / 0 mm entre l'arrière de l'unité et le mur

**Note :**

il est recommandé de considérer les dégagements pour l'entretien lorsque vous localisez une zone appropriée pour l'unité.

#### DÉGAGEMENTS POUR COMBUSTIBLES



### AVERTISSEMENT

- La chaudière ne doit pas être installée sur un tapis.
- Garder la zone de la chaudière libre de vapeurs et de liquides inflammables.

### 3.1 SÉLECTION DE L'EMPLACEMENT DE LA CHAUDIÈRE

- Vérifier pour les connexions à proximité de :
  - la tuyauterie du système d'eau;
  - connexions de ventilation;
  - la tuyauterie d'alimentation en gaz;
  - l'alimentation électrique.
- Vérifier la zone autour de la chaudière. Enlever tous les matériaux combustibles, l'essence et tous autres liquides inflammables.
- S'assurer que les composants du système de commande du gaz de la chaudière sont protégés contre les éclaboussures et les écoulements d'eau.

### AVERTISSEMENT

**La présence de la chaudière à proximité de matériaux combustibles, d'essence et de tous autres liquides ou de vapeurs inflammables peut entraîner la mort ou de graves blessures, ainsi que d'importants dommages matériels.**

### 3.2 POSITIONNEMENT DE LA CHAUDIÈRE

- Déterminer le positionnement de la chaudière en tenant compte des dégagements requis pour l'entretien et la position de la terminaison de fumée.

### AVERTISSEMENT

**Déplacer tous les matériaux combustibles, l'essence et tous les autres liquides inflammables loin des tuyaux d'eau chaude.**

- Attacher le gabarit au mur (s'assurer qu'il est à niveau et à la vertical) et marquer la position des trous pour le support de fixation et les raccordements de plomberie de la chaudière. Si la sortie arrière du conduit de fumée doit être utilisée, marquer la position du trou pour ce dernier.
- Si la sortie latérale du conduit de fumée doit être utilisée, continuer de marquer la ligne horizontale du conduit de fumée à travers le mur jusqu'au mur latéral, puis sur le côté latéral du mur (s'assurer que les lignes sont parallèles et inclinées correctement vers la chaudière, voir section 4 « Système de ventilation »). Cela donnera la position du centre pour le trou pour le conduit de fumée.
- Couper un trou de 4.33 po/110.00 mm de diamètre dans le mur pour le conduit de fumée concentrique.

### 3.3 MONTAGE DE LA CHAUDIÈRE

- Soulever la chaudière et l'accrocher au mur.
- Ajuster la position de la chaudière.

### 3.4 RINÇAGE DU SYSTÈME

- Pour enlever les sédiments, rincer soigneusement l'ensemble du système (chaudière non connectée). L'échangeur thermique à haut rendement pourrait être endommagé par des accumulations ou par la corrosion engendrés par les sédiments.

#### Remarque :

**il est recommandé d'utiliser un produit de traitement d'eau pour enlever les sédiments.**

- Pour les installations réparties en zones, rincer chaque zone séparément au moyen d'un robinet de purge. (si le système n'est pas équipé de robinets d'isolement ou de robinets de purge, les installer afin de bien nettoyer le système).
- Rincer le système jusqu'à ce que l'eau coule propre et que vous êtes certains d'avoir éliminé tous les sédiments.

### ATTENTION

**Pour les installations incorporant des radiateurs en fonte et les systèmes équipés de robinets de purge manuels en points hauts. Commencer par la prise d'air manuelle la plus proche, ouvrir le robinet de purge jusqu'à ce que l'eau commence à s'écouler puis fermer ce robinet. Répéter la procédure, en vous déplaçant vers la prise d'air la plus éloignée. Dans les anciens systèmes ayant beaucoup de sédiments, il pourrait s'avérer nécessaire d'installer un panier pour ramasser les sédiments. Le panier devra être vidé et nettoyé une fois par an.**

### 3.5 ALIMENTATION EN GAZ

DUO-TEC COMPACT 30 nécessite un débit de gaz de 113.60 pi<sup>3</sup>/h (3.22 m<sup>3</sup>/h) pour le Gaz A (Gaz naturel) et 107.96 pi<sup>3</sup>/h (3.06 m<sup>3</sup>/h) pour le Gaz E (GPL).

Le compteur et les tuyaux d'alimentation doivent être en mesure de livrer cette quantité de gaz en plus de la demande de tous les autres appareils dans la maison. La chaudière nécessite au moins 3/4 po/19.5 mm de tuyauterie de l'alimentation en gaz.

### AVERTISSEMENT

**Avant la mise en service de la chaudière; la chaudière et ses raccordements au gaz devront faire l'objet d'un essai d'étanchéité.**



## 3.6 ALIMENTATION ÉLECTRIQUE

La chaudière exige une alimentation électrique de 120 V, 60 Hz. S'assurer que l'alimentation électrique est polarisée.

**La chaudière doit être mise à terre.**

Installer seulement un isolateur commun, en assurant l'isolation électrique complète pour la chaudière et pour tous autres contrôles externes.

Au moyen d'un câble isolé en PVC 12 AWGx3C 221°F 105 °C.

Toutes les connexions électriques doivent être installées selon les dispositions du Code Électrique National (C.É.N.), ainsi que selon les dispositions de tout autre code local, provincial ou national applicables. Tous les câbles doivent être de la Classe 1 du C.É.N. La mise à terre de la chaudière est obligatoire conformément au C.É.N, ANSI/NFPA n° 70 (dernière édition).

Au Canada, l'installation doit se conformer au Code électrique canadien CSA C22.1, partie 1, ainsi qu'à tous les autres codes locaux.

### 3.6.1 Installation du thermostat d'ambiance

Installer le thermostat d'ambiance sur un mur interne. Ne jamais l'installer dans un endroit où il y a des courants, des tuyaux d'eau chaude ou d'eau froide, des accessoires d'éclairage, un téléviseur, une cheminée ou sous les rayons du soleil.

## 3.7 ALIMENTATION EN AIR

La chaudière ne nécessite d'aucun ventilateur d'air à l'endroit où elle est installée, ou lorsqu'elle est installée dans un débarras ou dans une niche.

## 3.8 MODE D'EAU CHAUDE SANITAIRE

### AVERTISSEMENT

**Si la température de l'eau dépasse 125 °F (51 °C), elle peut provoquer de graves brûlures instantanément ou elle peut entraîner la mort par échaudure. Les enfants, les handicapés et les personnes âgées sont potentiellement plus à risque aux brûlures. Consulter le mode d'emploi avant de régler la température de l'eau.**

- La priorité est donnée à l'eau chaude sanitaire. La demande d'eau depuis un robinet ou une douche a priorité sur toute demande de chauffage central.
- La circulation de l'eau actionne le sélecteur de débit d'ECS qui demande un changement de position de la soupape à 3 voies. Cela permettra à la pompe de faire circuler l'eau primaire par l'intermédiaire de l'échangeur thermique à plaques pour l'ECS.
- Le ventilateur de combustion s'allumera et commencera à fonctionner à la vitesse d'allumage.
- Une fois que le ventilateur atteint sa vitesse d'allumage, le tableau de commande fournira de la puissance pour alimenter l'allumeur et la soupape de gaz, qui créeront un allumage dans la chambre de combustion. Le capteur de flamme reconnaîtra la présence de la flamme dans la chambre de combustion et enverra un signal au tableau de commande.
- Les capteurs de température enverront ensuite un signal au tableau de commande, en lui permettant ainsi d'augmenter/diminuer la vitesse du ventilateur. Le ventilateur de combustion pourra à son tour moduler le débit de gaz en conséquence.
- Lorsque la demande d'eau chaude sanitaire cesse, le brûleur s'éteint, sauf en cas de demande de chauffage central.

### 3.9 MODE DE PROTECTION CONTRE LE GEL

Le mode de protection contre le gel est intégré dans l'appareil lorsque la chaudière est en mode d'eau chaude sanitaire ou de chauffage central. Si la température de la chaudière descend au-dessous de 41 °F/5 °C, la chaudière démarre au réglage minimum jusqu'à ce qu'elle atteigne une température de départ de 86 °F/30 °C.

### 3.10 PROTECTION DE LA POMPE

Afin d'éviter les risques de blocage, la pompe se met automatiquement à fonctionner pendant 1 minute toutes les 24 heures.

### 3.11 TUYAUTERIE DE GAZ

La tuyauterie en alimentation en gaz doit être installée conformément aux codes applicables.

Localiser et installer une soupape d'arrêt manuel avant la soupape de gaz, comme indiqué à la section 3 : « INFORMATIONS GÉNÉRALES SUR LA CHAUDIÈRE », en respectant les exigences de la réglementation provinciale et locale.

### AVERTISSEMENT

**Un bassin de décantation doit être installé en amont des commandes de gaz.**

### 3.12 REMPLISSAGE DU PURGEUR DE CONDENSAT

### ATTENTION

**Remplir le purgeur de condensat avant de démarrer la chaudière afin d'éviter la fuite de produits de combustion de la chaudière.**

## 4. SYSTÈME DE VENTILATION

### GÉNÉRAL

- Installer le système de ventilation de la chaudière conformément aux instructions suivantes, ainsi qu'aux exigences du « National Fuel Gas Code », ANSI Z223.1/NFPA 54, CAN/CSA B149.1, et/ou aux exigences applicables des codes du bâtiment locaux.
- Cette chaudière est un appareil à ventilation directe selon la norme ANSI Z21.13 / CSA4.9.

### VENTILATION D'ÉCHAPPEMENT ET VENTILATION D'ENTRÉE D'AIR

Cette chaudière est un appareil à ventilation directe selon la norme ANSI Z21.13/CSA4.9. Les méthodes de ventilation d'échappement et d'entrée sont indiquées au chapitre 4 : « SYSTÈME DE VENTILATION ». Ne pas essayer d'installer la chaudière d'une autre manière. S'assurer de placer la chaudière telle que la prise d'air et la tuyauterie de ventilation d'échappement puissent être acheminées à travers le bâtiment et correctement terminées.

## DANGER

**S'assurer que la tuyauterie d'échappement et d'entrée d'air est conforme aux présentes instructions concernant le système de ventilation. Inspecter soigneusement la tuyauterie d'entrée d'air et d'échappement de combustion assemblée, afin de s'assurer que tous les joints sont parfaitement sécurisés et étanches à l'air, ainsi que conformes aux exigences du code local et des directives fournies dans le présent manuel. Une installation du système de ventilation non conforme peut entraîner de graves blessures ou la mort.**

## AVERTISSEMENT

**Ce système de ventilation fonctionnera avec une pression positive dans le tuyau. Ne pas raccorder de connecteurs de ventilation qui sont reliés aux appareils ventilés par tirage naturel dans aucune partie du système à tirage mécanique opérant sous pression positive. Suivre attentivement les instructions de ventilation fournies ci-après. Toute installation non conforme peut entraîner de graves blessures, la mort ou d'importants dommages matériels.**

- **Ne pas utiliser de tuyau ou de tuyau avec une âme en mousse alvéolaire dans aucune partie du système de ventilation de cette chaudière. L'utilisation du tuyau avec une âme en mousse ou en mousse alvéolaire peut entraîner de graves blessures, la mort ou d'importants dommages matériels.**

### • Choisir l'emplacement de la ventilation d'échappement :

- a) Voir l'illustration dans cette section à propos des dégagements requis pour l'emplacement de terminaux de sorties de systèmes ventilateur pour la ventilation directe.
- b) Aux États-Unis fournir une distance minimale de 12" (305 mm) et au Canada une distance minimale de 36" (0.9 m) de toute porte, fenêtre ouvrable ou admission de tout bâtiment par gravité.
- c) Fournir un dégagement minimal de 1.00 pi/0.30 m du bas de l'échappement au-dessus du niveau de sol (le déneigement peut être nécessaire afin de maintenir un dégagement adéquat).
- d) Aux États-Unis prévoir un dégagement horizontal de 3 pi/0.92 m et, au Canada un dégagement de 3.00 pi / 0.92 m des compteurs électriques, des compteurs ou des régulateurs de gaz et des équipements de sécurité. Le terminal de sortie ne doit en aucun cas se trouver au-dessus ou en dessous de l'un des équipements susmentionnés à moins d'une distance de 15 pi/4.50 m sauf si une distance horizontale de 3 pi/0.92 m est respectée.
- e) Ne pas installer l'échappement au-dessus d'une voie ouverte au public sur laquelle les condensats pourraient s'écouler et/ou geler, et créer une nuisance et être un danger.
- f) Si l'échappement doit être à proximité d'une voie ouverte au public, le terminal de sortie devra être situé à au moins 7.00 pi/2.13 m du niveau du sol.
- g) Ne pas placer l'échappement directement sous les débords de toiture pour empêcher la formation de glaçons.
- h) Prévoir un dégagement de 6 po/152 mm à partir de l'angle intérieur des murs verticaux, des cheminées, etc., ainsi que des angles horizontaux créés par les débords de toiture.

### • Choisir l'emplacement de la ventilation d'entrée d'air :

- a) Prévoir un dégagement de 1.00 pi/0.30 m depuis le bas de la ventilation d'entrée d'air et le niveau du sol.
- b) Ne pas placer la ventilation d'entrée d'air dans une aire de stationnement où les machines pourraient endommager le tuyau.
- c) Lors de l'utilisation d'une installation à deux tuyaux, prévoir une distance minimale entre la ventilation d'entrée d'air et celle d'échappement sur une seule chaudière de 4.72 po/120.00 mm du centre au centre.

## INSTALLATION DE LA VENTILATION D'ÉCHAPPEMENT ET DE LA VENTILATION D'ENTRÉE D'AIR

## DANGER

**S'assurer qu'il n'y a pas d'obstructions et que l'air comburant et l'air de ventilation circulent librement. BAXI exhorte les utilisateurs à installer des détecteurs de monoxyde de carbone dans les bâtiments où la chaudière est située, même si de tels détecteurs ne sont pas exigés par la loi locale. Les détecteurs de monoxyde de carbone doivent être calibrés régulièrement tel qu'indiqué par le fabricant.**

### Remarque :

Pour fixer les tuyaux à fumée au mur, les supports doivent se trouver à environ 3.28 pi (1.00 m) les uns des autres. Les supports doivent être fixés le long du point de jonction de chaque tuyau.

## 4.1 INSTRUCTIONS DE VENTILATION

### AVERTISSEMENT

Ne pas utiliser dans la même installation des accessoires de ventilation de différents fabricants, le mélange d'accessoires de ventilation est strictement interdit.

### ATTENTION

Lire attentivement les instructions de ventilation indiquées dans ce manuel et celles fournies par le fabricant de la ventilation, en cas d'incohérences respecter les instructions de ventilation de ce manuel.

#### 4.1.1 Ventilation concentrique

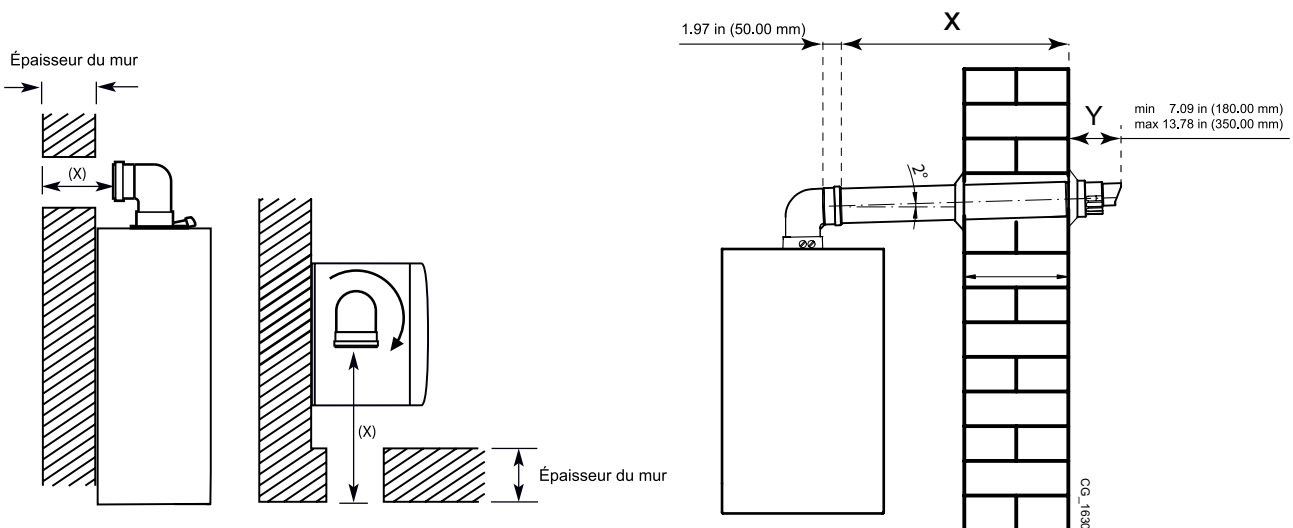
- Examiner tous les composants sur réception pour tout dommages dûs au transport, avant l'installation.
- Ce système de ventilation doit être libre pour se dilater et se contracter.
- Le système de ventilation doit être soutenu conformément aux présentes instructions.
- Le système de ventilation doit avoir un mouvement sans restriction à travers les murs, les plafonds et les pénétrations dans le toit.
- Vérifier le bon assemblage de joints entre les tuyaux et les raccords.
- Si la ventilation pénètre les plafonds et les planchers, les ouvertures doivent avoir un coupe-feu fourni dans les espaces entre les solives et l'installation d'assemblages d'espaceur coupe-feu.
- Les pièces de chaperon de toitures sont indiquées dans le manuel. Des méthodes standard de chaperon de toiture devraient être employées pour installer les chaperons de toiture.
- Les ouvertures de mur et de toit doivent être encadrées de manière à fournir un soutien et une fixation des assemblages de terminaison.

#### Remarque :

Le manuel utilise les termes « ventilation » et « conduit de fumée » de façon interchangeable.

### AVERTISSEMENT

Vérifier toutes les dimensions avant de couper. Le dégagement aux matériaux combustibles est de zéro lorsque l'on emploie un système concentrique.

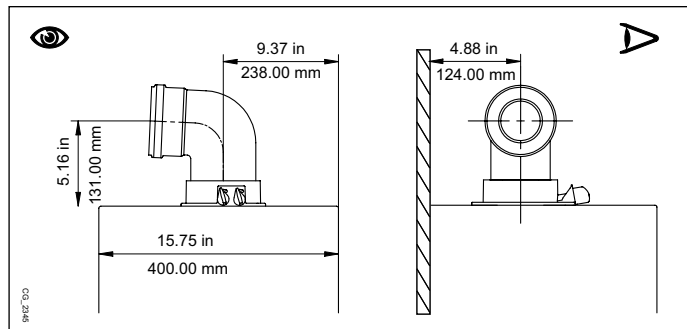


### AVERTISSEMENT

Toute la ventilation concentrique doit être fixée ensemble avec des vis.

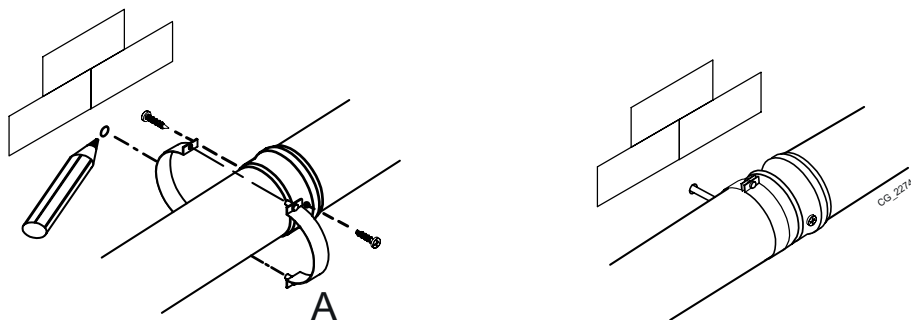
Remarque : la ventilation pour un double conduit de fumée ne doit pas être fixée ensemble avec des vis. Cette procédure s'applique uniquement à la ventilation concentrique.

## Support de ventilation concentrique



Toute ventilation doit être supportée tous les 39 po (1 m) au moyen d'un collier fixe.

### A : cerclage métallique ou l'équivalent



#### Remarque :

S'assurer que la ventilation a une inclinaison vers la chaudière d'environ 0.09 po pour chaque 3.28 pi (2.00 cm pour chaque mètre).

Pour les conduits de fumée horizontaux, une déviation mineure est permise, en autant que la déviation résulte dans une inclinaison vers le bas en direction de la chaudière.

Pour l'assemblage du terminal de fumée vertical, se référer aux instructions d'installation fournies séparément avec l'équipement. Les composants supplémentaires de conduit de fumée disponibles sont les suivants :

Coude de 45°	1.64 pi / 0.50 m
Coude de 90°	3.28 pi / 1.00 m

- Localiser le coude du conduit de fumée sur l'adaptateur en haut de la chaudière. Régler le coude selon l'orientation requise (en arrière, à droite ou à gauche).
- Mesurer la distance entre le bord extérieur du mur et le coude. Cette dimension sera indiquée par la lettre « X ».
- À la dimension « X » ajouter « Y » + 2 po (50 mm). Il s'agit de la dimension totale des prises d'air.
- Prendre la prise d'air, marquer la dimension susmentionnée. Mesurer la longueur du matériel de chute et transférer la dimension au conduit de fumée.
- Enlever les déchets des deux aérations (prises d'air et de fumée) S'assurer que les extrémités coupées sont bien à l'équerre et sans bavures.
- Insérer le conduit de fumée dans la prise d'air et enfiler l'ensemble à travers le trou percé dans le mur.

## AVERTISSEMENT

- **Vérifier toutes les dimensions avant de couper. Le dégagement de matériaux combustibles est de zéro lorsque l'on emploie un système concentrique.**
- **Après réinstallation des prises d'air, s'assurer qu'il n'y a aucune recirculation de la combustion, à l'aide d'un analyseur calibré régulièrement.**
- **Assurer une inclinaison minimale vers le bas de 0.79 po / 2.00 mm pour chaque 3.28 pi / 1.00 m de longueur de conduit vers la chaudière d'au moins 2°.**
- **S'assurer que le terminal est positionné avec les fentes vers le bas.**

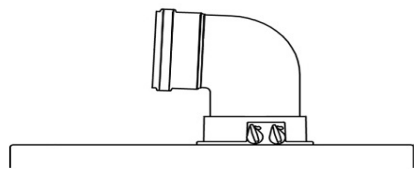
### Options pour le conduit de fumée

- La chaudière peut être équipée de systèmes de conduits de fumée tels qu'illustrés ci-contre.
- Il faut prendre en compte les coudes additionnels montés « en ligne » dans le système de conduit de fumée.

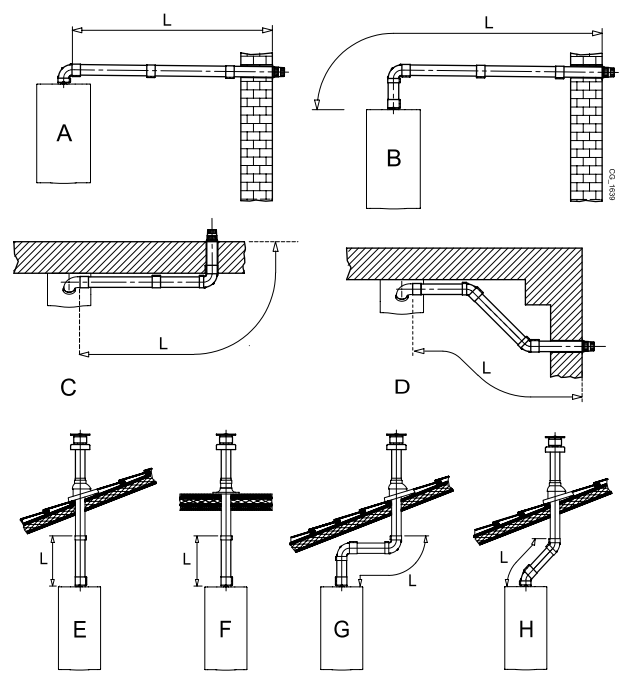
Coude de 45°	1.64 pi / 0.50 m
Coude de 90°	3.28 pi / 1.00 m

Le coude fourni avec le conduit de fumée horizontal standard n'est pas pris en compte dans les calculs de longueurs équivalentes.

- Les illustrations ci-après sont des exemples de longueurs maximales équivalentes.
- Les instructions de montage et de raccordement sont incluses dans chaque kit.



L MAX - Ø 60/100 mm	
BAXI (Natalini) - Duravent - Centrotherm	
A B	32.80 pi / 10.00 m
C D	29.52 pi / 9.00 m
E F	32.80 pi / 10.00 m
G	26.24 pi / 8.00 m
H	29.52 pi / 9.00 m



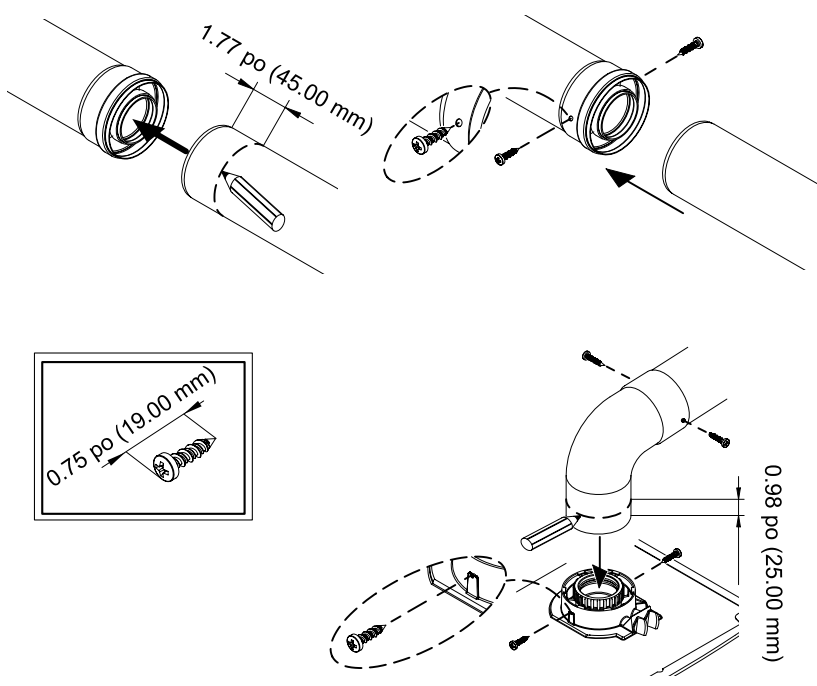
### Emplacement de la vis pour la ventilation concentrique

Deux vis doivent être fixées à travers le tuyau d'entrée extérieure à l'arrière des joints d'étanchéité, à des distances égales, approximativement 180° entre eux. À noter que les vis utilisées ne doivent pas être d'une largeur supérieure aux vis de métal no 8 ½, et elles doivent être recouvertes de zinc. La longueur de ces vis doit être de 0.75 po (19.00 mm). Si les vis ne sont pas fournies par le fabricant de ventilation avec les produits de ventilation, vous devez fixer ensemble les tuyaux à l'aide de vis avec les mêmes caractéristiques trouvées dans le marché local.

### ATTENTION

Pour fixer le premier coude (ou le premier tuyau coaxial) à la tourelle de la chaudière, utiliser uniquement les vis fournies dans le sachet plastique placé sur la tourelle.

Exemple pour le conduit de fumées BAXI (Natalini). Pour les autres constructeurs de conduite de fumées voir les instructions sur leurs emballages.



### AVERTISSEMENT

Avant de fixer les vis, s'assurer que le tuyau a été poussé dans l'extrémité de joint d'étanchéité de l'autre tuyau, d'un minimum de 1 3/4" (45 mm).

### INFORMATIONS IMPORTANTES

Pour insérer les tuyaux, n'utiliser que la graisse de silicone fournie avec les tuyaux d'échappement. La graisse de silicone doit être utilisée uniquement dans le petit joint des tuyaux d'échappement. Ne pas utiliser d'autres types de graisse. Ne pas appliquer au gros joint.

Section INSTALLATEUR (fr)

CG\_2274

### 4.1.2 Système à deux tuyaux

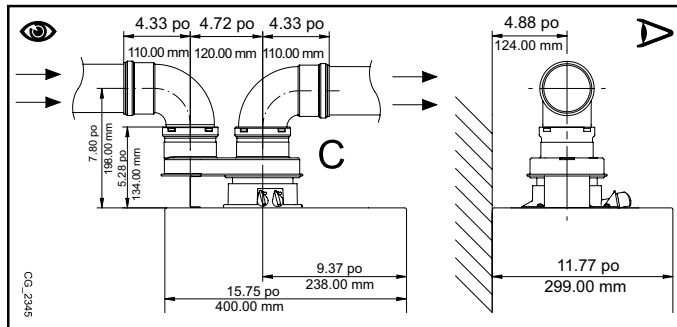
Ce type de ventilation permet au conduit d'échappement et le conduit d'entrée d'air d'être séparés l'un de l'autre. L'air frais peut être admis à un site différent de celui où le terminal de fumée est situé.

Le kit de séparation contient un adaptateur pour le conduit de fumée (100/80) et un deuxième adaptateur pour la prise d'air de ventilation.

Pour l'adaptateur du conduit d'air, fixer les vis et les joints précédemment retirés de l'embout.

Le coude de 90° permet aux événements d'air et de fumée de se raccorder à la chaudière et ce, indépendamment de leur direction, puisqu'il peut être pivoté par 360°. Il peut également être utilisé comme un coude supplémentaire conjointement avec le conduit ou avec un coude de 45°.

Coude de 45°	0.82 pi / 0.25 m
Coude de 90°	1.64 pi / 0.50 m



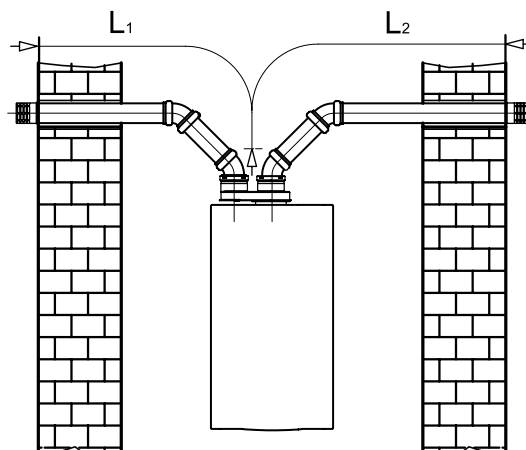
### Options pour l'installation de terminaux de fumée horizontaux séparés

La longueur maximale du conduit d'admission d'air (L 1) ne peut pas dépasser 49.20 pi/15.00 m.

(L1 + L2) max. = 196.80 pi/60.00 m

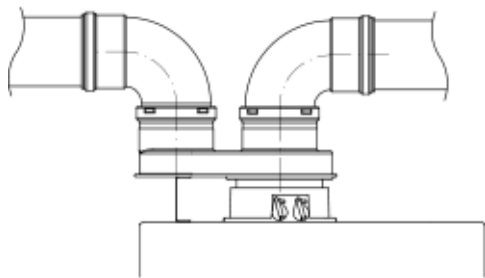
### AVERTISSEMENT

Assurer une inclinaison minimale vers le bas de 0.79 po pour chaque 3.28 pi de longueur de conduit d'évacution (2.00 cm en direction de la chaudière pour chaque mètre pour l'Amérique du Nord).

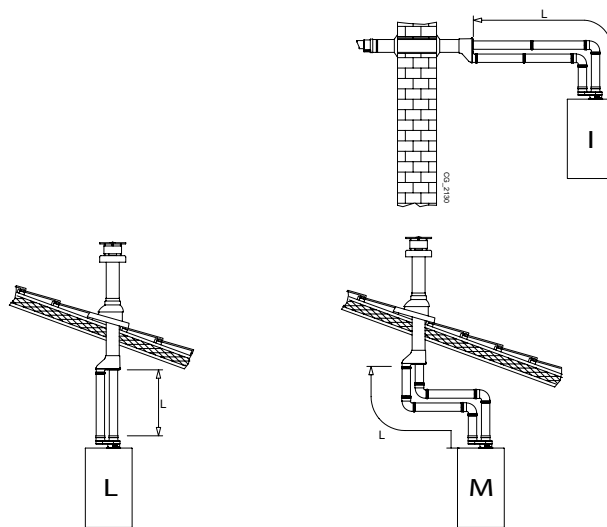


### Terminaux de fumée séparés

Options d'installation

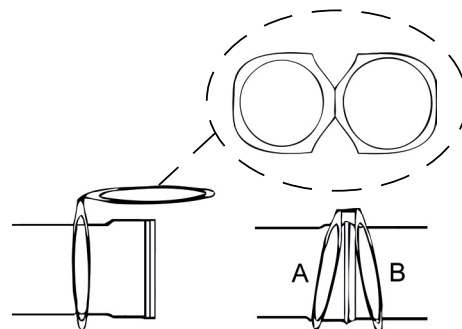


<b>I</b>	L max = 49.20 pi / 15.00 m
<b>L</b>	L max = 49.20 pi / 15.00 m
<b>M</b>	L max = 45.92 pi / 14.00 m



Exemple de système de ventilation Baxi. Pour les autres systèmes de ventilation, se référer aux instructions fournies par la fabricant de la ventilation.

- Prendre le collier Baxi pour le conduit de fumée double avec le plus grand trou, et le placer sur l'extrémité mâle du tuyau.
- Glisser le collier tout au long du tuyau avec la plus petite ouverture du collier vers l'extrémité femelle du tuyau.
- Courber le collier sur l'extrémité femelle du tuyau « A » et glisser l'extrémité mâle du tuyau « B » à travers le collier et dans l'extrémité femelle du tuyau « A ».



**Remarque :**

Ce collier est nécessaire pour le tuyau à fumée double Baxi.

**Remarque :**

Le collier à ressort pour le conduit de fumée double est utilisé seulement à l'intérieur et ne doit pas être utilisé pour des applications extérieures.

**Conduite de fumées flexible**

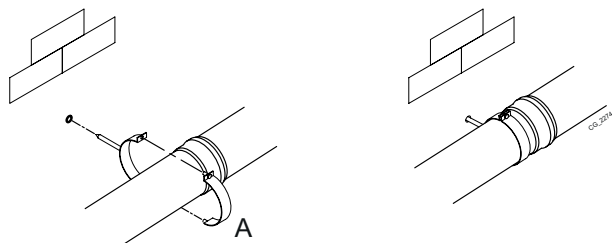
La longueur maximale du conduit d'admission d'air (L 1) ne peut pas dépasser 49.20 pi/15.00 m. Longueurs maximales basées sur le conduite fumées droites seulement

<b>(L1+L2) MAX - Ø 80 mm</b>
<b>Duravent - Centrotherm</b>
82.00 pi / 25.00 m

**Support pour ventilation à deux tuyaux**

Toute ventilation doit être supportée tous les 39 po (1 m) au moyen d'un collier fixe.

**A : cerclage métallique ou l'équivalent**



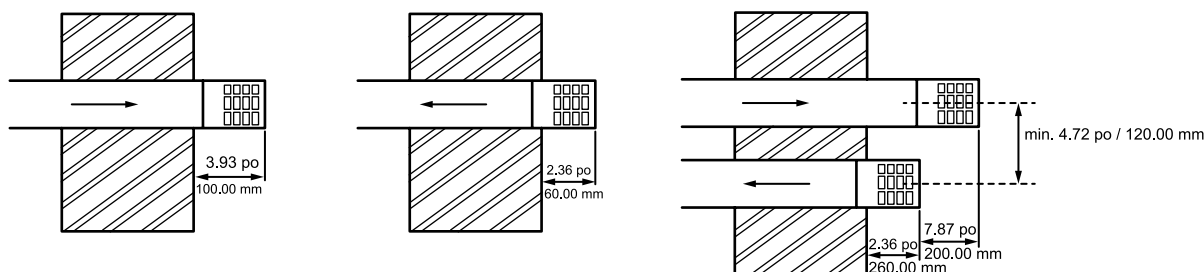
**Remarque :**

S'assurer que la ventilation a une inclinaison vers la chaudière d'environ 0.79 po pour chaque 3.28 pi/2.00 cm pour chaque mètre.

Coude de 45°	0.82 pi / 0.25 m
Coude de 90°	1.64 pi / 0.50 m

**AVERTISSEMENT**

**NE PAS UTILISER DE TUYAU AVEC UNE ÂME CELLULAIRE**  
**UNIQUEMENT DES TUYAUX DE 3 po/80 mm SONT PERMIS**  
 Lors de l'utilisation d'un matériel de ventilation autre que celui fourni par le fabricant de la chaudière, suivre les procédures d'installations du schéma ci-dessous.



(\*) accessoires fournis par le fabricant de la chaudière

Section INSTALLATEUR (fr)

### 4.1.3 Matériaux approuvés pour la ventilation

Nous recommandons que la chaudière à condensation soit ventilée à l'aide du matériel de ventilation en polypropylène du fabricant. Cela peut être soit une ventilation coaxiale ou soit un système de ventilation à deux tuyaux rigides. Utiliser exclusivement les matériaux énumérés ci-dessous pour le tuyau de ventilation, le tuyau d'admission d'air et les raccords. Le non-respect de cette consigne pourrait être la cause d'accidents corporels graves, voire mortels, et/ou de dommages matériels et pourrait annuler la garantie de la chaudière. Les installations doivent être conformes aux normes et aux réglementations en vigueur et aux normes ANSI Z223.1 des États-Unis.

Fabricant de polypropylène approuvé :

Fabricant	Modèle	Matériau
Baxi (Natalini)	Polypropylène	PP
	Concentrique	Revêtement époxy Admission aluminium/échappement PP
M & G/ Duravent	PolyPro®	PP
	PolyPro®Flex	PP
	Concentrique	Revêtement époxy Admission aluminium/échappement PP
Centrotherm	Innoflue®	PP
	Innoflue®Flex	PP
	Concentrique	Revêtement époxy Admission aluminium/échappement PP

## AVERTISSEMENT

Toute ventilation doit être bien supportée. Les chaudières ne sont pas destinées à soutenir n'importe quel type de système de ventilation. Tous les conduits, les colles, les solvants, les produits pour le nettoyage, les raccords et les composants doivent être conformes aux normes ASTM et ANSI.

Remarque : Au Canada, le seul système de ventilation approuvé pour être utilisé comme une alternative à la ventilation Baxi en polypropylène pour le tuyau de ventilation est l'ULC S636 classe 40 CPVC et aux États-Unis l'UL 1738 classe 40 CPVC. Au Canada, utiliser ULC S636 et aux États-Unis UL 1738 classe 40 CPVC pour l'admission de la ventilation.

## AVERTISSEMENT

Les ventilations ABS/PVC ne sont pas autorisées pour une utilisation comme matériau de ventilation d'échappement. Le non-respect de cette consigne pourrait être la cause d'accidents corporels graves, voire mortels, et/ou de dommages matériels et pourrait annuler la garantie de la chaudière.

N'utiliser aucun tuyau de plomberie d'évacuation et de ventilation pour cette chaudière.

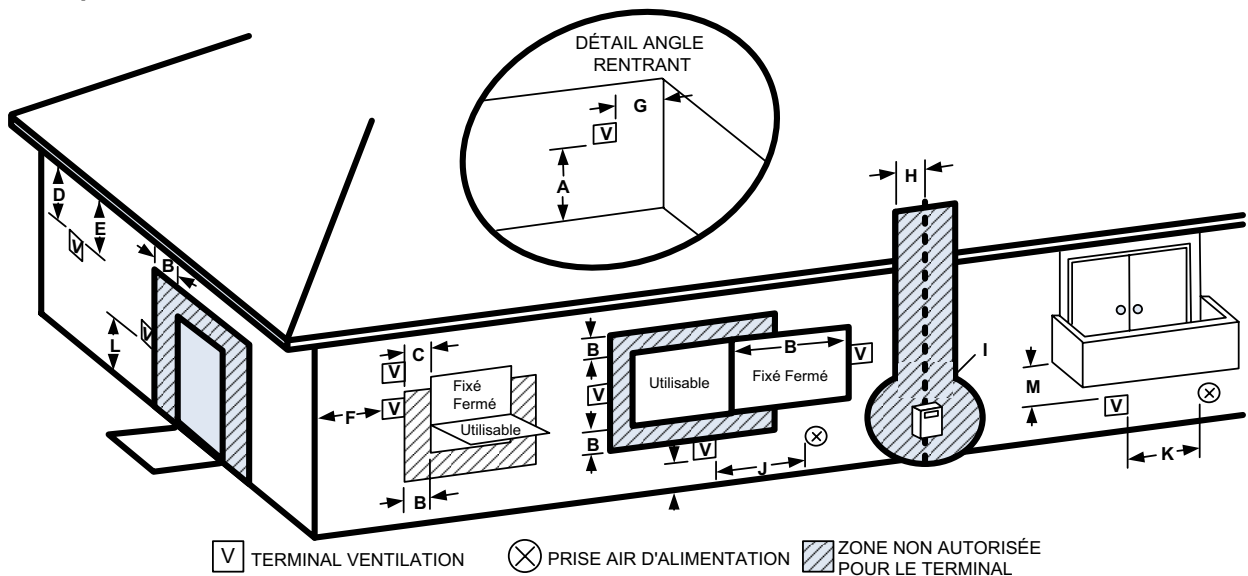
L'utilisation de l'âme cellulaire en PVC (ASTM F891), de l'âme cellulaire en PVC-C, ou de Radel® (polyphénylsulfone) dans des systèmes de ventilation est interdite.

Le revêtement de raccords et tuyaux de ventilation non métalliques avec une isolation thermique est interdit.

Tous les tuyaux de ventilation, les tuyaux d'air comburant et les raccords doivent remplir les conditions suivantes :

Les matériaux utilisés aux États-Unis doivent être conformes aux normes correspondantes suivantes : ANSI/ASTM D1785, ANSI/ASTM D2661, ANSI/ASTM F441.

### 4.1.4 Emplacement du terminal de fumée



#### Dégagements minimaux du terminal de ventilation

		Installations aux États-Unis	Installations au Canada
A =	Dégagement au-dessus du niveau de sol, véranda, porche, terrasse ou balcon	12" (305 mm)	12" (305 mm)
B =	Dégagement d'une fenêtre ou d'une porte ouvrable	12" (305 mm)	3 pi (0.9 m)
C =	Dégagement avec fenêtre fermée de façon permanente	*12" (305 mm)	*12" (305 mm)
D =	Dégagement vertical pour un soffite ventilé situé au-dessus du terminal à une distance horizontale de 610 mm (2 pieds) de la ligne centrale du terminal	18" (457 mm)	18" (457 mm)
E =	Dégagement pour un soffite non ventilé	18" (457 mm)	18" (457 mm)



F =	Dégagement pour un angle saillant	9" (229 mm)	9" (229 mm)
G =	Dégagement pour un angle rentrant	6" (152 mm)	6" (152 mm)
H =	Dégagement de chaque côté de la ligne médiane prolongée au-dessus du compteur/régulateur	3 pi (0.9 m) à une hauteur de 15 pi (4.5 m) au-dessus du compteur/régulateur	3 pi (0.9 m) à une hauteur de 15 pi (4.5 m) au-dessus du compteur/régulateur
I =	Dégagement pour le régulateur de service de ventilation de sortie	3 pi (0.9 m)	3 pi (0.9 m)
J =	Dégagement vers une prise d'air non mécanique à l'édifice ou d'une prise d'air de combustion pour tout autre appareil	12" (305 mm)	3 pi (0.9 m)
K =	Dégagement d'une prise d'air mécanique	*3 pi (0.9 m)	6 pi (1.8 m)
L =	Dégagement au-dessus d'un trottoir pavé ou d'une voie d'accès pavée, situés sur propriété publique	*7 pi (2.1 m)	7 pi (2.1 m) †
M =	Dégagement au-dessous d'une véranda, d'un porche, d'une terrasse ou d'un balcon	*12" (305 mm) ‡	12" (305 mm)‡

† Une ventilation ne peut pas s'arrêter directement au-dessus d'un trottoir ou d'une voie d'accès privé pavé située entre deux habitations unifamiliales et dessert les deux habitations.

‡ Permis seulement si la véranda, le porche, la terrasse ou le balcon sont complètement ouverts sur un côté au moins sous le sol.

\* Pour les dégagements non précisés par ANSI Z223.1/NFPA 54 ou CSA B149.1, le dégagement devra être conforme aux règlements d'installation locaux, aux exigences du fournisseur de gaz et à ces instructions d'installation.

**Remarque :**

Les codes et les règlements locaux peuvent exiger différents dégagements. Le terminal de fumée doit être exposé à l'air externe et la position doit permettre la circulation d'air en tout temps. Dans certaines conditions météorologiques, le terminal peut dégager de la vapeur. Éviter de placer le terminal où cela pourrait être nuisible.

## 5. EMPLACEMENT DE LA CHAUDIÈRE

La chaudière n'est pas conçue pour une installation extérieure.

La chaudière doit être installée sur un mur vertical plat qui est en mesure de soutenir le poids de la chaudière.

La chaudière peut être installée dans n'importe quelles pièces ou n'importe quels espaces intérieurs, mais il faut prêter une attention particulière aux réglementations courantes et aux dispositions applicables en matière électrique par rapport à l'installation de la chaudière dans une pièce ou dans un espace intérieur où se trouvent une douche ou une baignoire. Au cas où une chaudière étanche serait installée dans une pièce contenant une baignoire ou une douche, il faut s'assurer que personne se servant de la douche ou de la baignoire ne peut avoir accès à aucun interrupteur électrique ni à aucune commande de la chaudière connectée au réseau électrique.

La chaudière peut être installée dans un débarras ou une niche à condition que ces endroits soient correctement conçus à cette fin.

## 6. SYSTÈME DE CHAUFFAGE CENTRAL

La chaudière est conçue pour être utilisée dans une installation de chauffage central étanche.

**Se référer au Chapitre 2 : « DONNÉES TECHNIQUES » pour les détails concernant le volume du système de chauffage.**

Le système doit être conçu pour fonctionner avec un débit de températures jusqu'à 176 °F/80 °C. Lors de la conception du système, la hauteur d'élévation, la dimension du vase d'expansion, la température moyenne du radiateur, etc. doivent tous être pris en compte. Se référer au tableau des performances de la pompe au paragraphe 2.6 : « HAUTEUR D'ÉLEVATION DISPONIBLE POUR LE CHAUFFAGE CENTRAL ».

La chaudière est fournie avec les composants suivants incorporés :

Soupape de décharge - calibrée pour fonctionner à 30.0 psi/2.1 bar.

## AVERTISSEMENT

**Le tuyau de décharge doit être acheminé vers son écoulement de manière qu'il soit visible, mais n'encombre pas la chaudière et donc ne cause aucun dommage corporel ou matériel. Faire fonctionner manuellement la soupape de décharge au moins une fois par an.**

- Éviter d'entrer en contact avec l'eau chaude sortante
- Éviter tout dégât d'eau

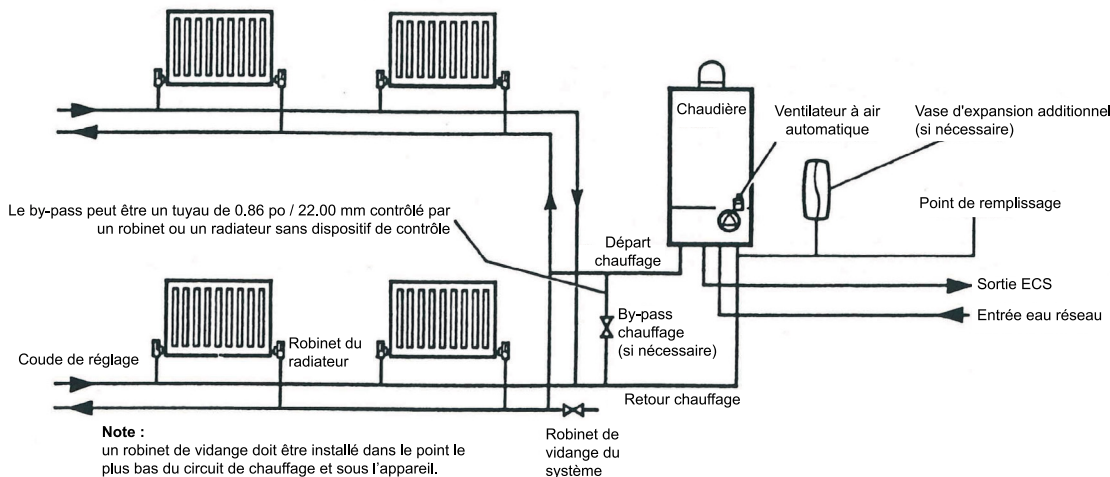
**Manomètre** - indiquer la pression du système à maintenir.

**Vase d'expansion** - avec une capacité de 1.50 gal (États-Unis)/7.00 l et préchargé préalablement à une pression de 7.25 po/0.50 bar.

**Remarque :**

Le vase d'expansion doit être chargé pour correspondre à la pression du système de chauffage central lors de l'installation.

**Dérivation** - Une dérivation automatique est incorporée dans la chaudière. Cependant, au cas où tous les radiateurs seraient installés avec des soupapes thermostatiques, une dérivation externe sera nécessaire.

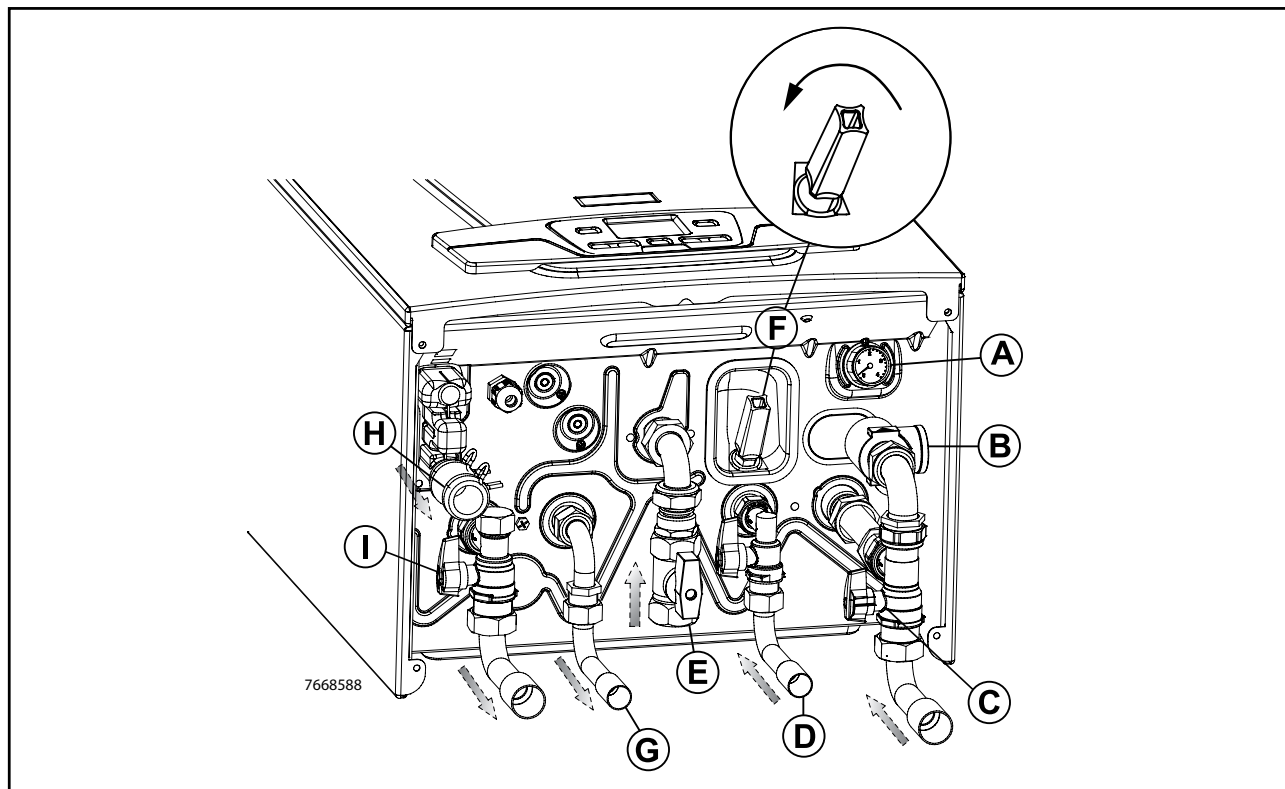


## 7. REMPLIR LE SYSTÈME DE CHAUFFAGE CENTRAL

La pression nominale du système (à froid) doit être réglée à 1.0-1.5 bar. Cette pression correspond à la hauteur statique maximale en bar +0.3 (14.5 psi = 1.0 bar = 10.2 mètres d'eau). Le remplissage du système doit être effectué d'une façon approuvée par la Compagnie distributrice des Eaux locale. Le système doit être rempli comme indiqué sur la figure.

Les robinets de vidange sont nécessaires pour vidanger complètement le système.

Le système de chauffage doit être nettoyé et rincé soigneusement avant la mise en marche de la chaudière et une autre fois après le premier allumage.



A	Manomètre
B	Soupape de surpression
C	Connexion retour chauffage
D	Connexion Robinet entrée ECS froide/ remplissage pour le modèle Luna Duo-tec 1.33 GA
E	Connexion dispositif de fermeture gaz
F	Connexion remplissage chaudière
G	Connexion sortie ECS/ ballon à chauffage indirect pour le modèle Luna Duo-tec 1.33 GA
H	Connexion de purge pour purgeur de condensat
I	Connexion départ chauffage

### Remarque :

Le retour de chauffage et l'admission d'eau froide contiennent des filtres réparables.

- La chaudière est installée avec un ventilateur à air automatique placé sur la pompe (voir le paragraphe 2.9 « SCHÉMA DE LA CHAUDIÈRE »). Le ventilateur est installé avec un bouchon hermétique ajustable.
- Ouvrir les soupapes de retour et de départ du chauffage central (tige parallèle à la soupape - voir la section 3 : « INFORMATIONS SUR LA CHAUDIÈRE »).
- Ouvrir la soupape au point de remplissage sur le système de remplissage jusqu'à ce que l'eau commence à couler. Afin de faciliter la ventilation, ouvrir le point de vidange de la chaudière jusqu'à ce que l'eau commence à s'écouler. Fermer le point de vidange dès que l'eau apparaît.
- Dans le cas de système utilisant des radiateurs pour enlever l'air, ventiler un radiateur à la fois, à partir de celui placé le plus en bas dans le système.
- Il est important que la pompe soit bien ventilée de façon qu'elle ne sèche pas puisque cela pourrait endommager ses paliers. Desserrer les vis et enlever le bouchon du centre de la pompe. Au moyen d'un tournevis approprié, tourner d'un demi-tour la tige exposée et remettre ensuite le bouchon à sa place.
- Vérifier le fonctionnement de la soupape de décharge du chauffage en tournant la tête dans le sens contraire des aiguilles d'une montre jusqu'au déclic. Au moment du déclic, la soupape sort de son logement pour permettre l'écoulement de l'eau, vérifier que cela a effectivement lieu.
- Continuer le remplissage de l'installation jusqu'au moment où l'indicateur de pression affiche 21.7 psi/1.5 bar. Fermer la soupape du point de remplissage et vérifier l'étanchéité à l'eau du système; le cas échéant, effectuer des rectifications. Il est possible de vidanger le système de l'eau en excès en ouvrant manuellement le point de vidange pour rétablir la pression nominale du système. La pression nominale du système (à froid) doit être entre 1.0 bar et 1.5 bar.

Se référer au paragraphe : « VOLUME DE L'INSTALLATION ».

- Ouvrir la soupape d'admission d'eau froide (voir les chapitres 3 : « INFORMATIONS SUR LA CHAUDIÈRE » le chapitre 7 : « REMPLIR LE SYSTÈME DE CHAUFFAGE CENTRAL »). Ouvrir tous les robinets de l'eau chaude et faire écouler l'eau pour désaérer complètement le système. Fermer les robinets.

## 8. PRODUITS CHIMIQUES TOXIQUES

Les produits chimiques toxiques, tels que ceux utilisés pour le traitement de chaudière, ne doivent pas être introduits dans l'eau potable utilisée pour le chauffage local.

## 9. INSTALLATION DE CHAUFFAGE ET DE RÉFRIGÉRATION

Lorsque la chaudière est utilisée avec un système de réfrigération, elle doit être installée de sorte que l'élément réfrigéré soit alimenté en parallèle avec la chaudière, à l'aide de soupapes appropriées pour éviter que l'élément réfrigéré ne pénètre dans la chaudière.

Le système de tuyauterie d'une chaudière à eau chaude raccordée aux serpentins de chauffage situés dans les unités de traitement de l'air, où elles peuvent être exposées à la circulation de l'air réfrigéré, doit être doté d'appareils de réglages de débit ou d'autres appareils automatiques pour supprimer la circulation par gravité de l'eau de la chaudière lors du cycle de réfrigération.

## 10. INSTALLATION

### 10.1 CONNEXION DE LA TUYAUTERIE

- Rincer soigneusement l'eau de toute la tuyauterie.

## AVERTISSEMENT

**S'assurer que tous les bouchons en plastique sont retirés des raccords de la chaudière.**

- Fixer toutes les soupapes et les raccords à la chaudière
- S'assurer que les rondelles fournies sont utilisées.
- Les soupapes et les raccords doivent être face au mur arrière.
- Fixer les coudes mâles et femelles pour tuyaux aux soupapes.

### Remarque :

- a. Si les coudes mâles et femelles pour tuyaux sont soudés à la chaudière, s'assurer que les coudes ne sont pas raccordés aux soupapes puisque l'on risquerait d'endommager les joints d'étanchéité internes.
- b. S'assurer que la soupape d'isolation de 3/4"/22.2 mm et son filtre sont raccordés au retour de chauffage.
- c. Fixer la connexion verticale de la soupape de décharge avant la soupape d'isolation de chauffage.

- Raccorder la tuyauterie de soupapes du système à la chaudière.

### Remarque :

Ne pas oublier que le tuyau de la soupape de décharge doit être orienté vers son écoulement de manière qu'il soit visible, mais n'encombre pas la chaudière, ne pourra causer aucun dommage corporel ou matériel.

- S'assurer que toutes les soupapes sont fermées (tige à angle droit de la soupape) et ne pas ouvrir l'alimentation en eau ou gaz à ce stade.
- Raccorder la sortie de condensat au siphon fourni avec la chaudière. Raccorder le siphon à un tuyau d'évacuation, en assurant une pente continue. Il faut éviter des sections horizontales.

## AVERTISSEMENT

**La chaudière et sa soupape d'arrêt doivent être déconnectées du système d'alimentation en gaz lors de l'essai de ce système à une pression supérieure à 1/2 psi (3.40 kPa - 34.47 mbar).  
La chaudière doit être isoler du système d'alimentation en gaz en fermant la soupape d'arrêt manuelle lors de l'essai de ce système à une pression inférieure ou égale à 1/2 psi (3.5 kPa).  
La chaudière doit être installée en veillant à protéger les composants du système d'allumage à gaz contre toute infiltration d'eau (dégouttement, vaporisation, pluie, etc.) lors du fonctionnement et de l'entretien de l'appareil (remplacement du circulateur, extraction des condensats, remplacement d'éléments de contrôle, etc.).**

## 11. CONNEXIONS ÉLECTRIQUES

La chaudière exige une alimentation électrique de 120 V, 60 Hz. S'assurer que l'alimentation électrique est polarisée.

### La chaudière doit être mise à la terre.

Installer seulement un isolateur commun, assurant la complète isolation électrique à la chaudière et à tous autres contrôles externes. Au moyen d'un câble isolé en PVC 12 AWGx3C 221°F/105 °C. Tous câblages doivent être installés selon les dispositions du Code Électrique National (C.É.N.), ainsi que selon les dispositions de tout autre code local, provincial ou national applicables. Tous les câbles doivent être de la Classe 1 du C.É.N. La mise à terre de la chaudière est obligatoire conformément au C.É.N, ANSI/NFPA no 70 (dernière édition). Au Canada, l'installation doit se conformer au Code électrique canadien CSA C22.1, partie 1, ainsi qu'à tous les autres codes locaux.

Pour accéder à la plaque à bornes, retirer le panneau avant de la chaudière (fixé avec deux vis en bas), tourner la boîte de commande vers le bas afin d'accéder à la plaque à bornes **M1** et **M2** utilisée pour les connexions électriques, après avoir enlevé le couvercle de protection. Les fusibles rapides 3,15 A sont incorporés dans la plaque à bornes de l'alimentation électrique (pour contrôler et/ou remplacer le fusible, extraire le porte-fusible noir).

## DANGER — HAUTE TENSION

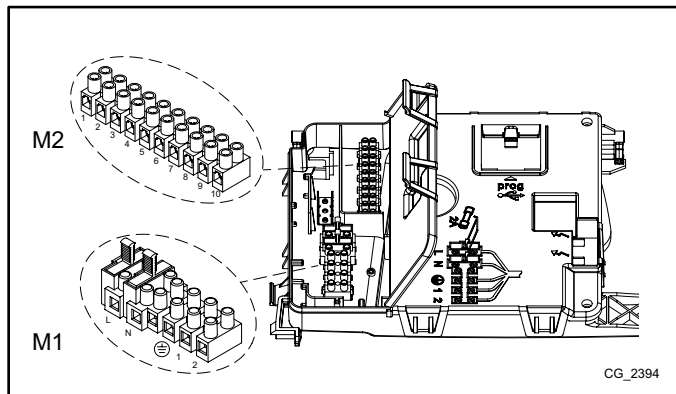
**Les connexions dans la plaque à bornes M1 sont à haute tension (120 V/60 Hz). Avant d'effectuer tout branchement, s'assurer que l'appareil est débranché de l'alimentation électrique. Respecter la polarité d'entrée indiquée sur la plaque à bornes M1 : L (SOUS TENSION) — N (NEUTRE).**

**PLAQUE À BORNES M1****(L)** = Sous tension (marron)**(N)** = Neutre (bleu ciel).

⊕ = Mise à la Terre (jaune-vert).

**(1) (2)** = contact pour le **Thermostat d'ambiance 120V**.

Remettre la bretelle sur les plaques à bornes 1-2 de la plaque à bornes de la chaudière M1 si le thermostat d'ambiance n'est pas utilisé ou si la télécommande n'est pas installée.

**PLAQUE À BORNES M2****Plaques à bornes 1 - 2** : connexion bus de l'unité d'ambiance programmable (fournie comme accessoire)**Plaques à bornes 4 - 5** : connexion du capteur de température extérieure (fournie comme accessoire)**Plaques à borne 3 - 9 - 10** : non utilisé.**Plaques à bornes 6 - 7 - 8** : voir les chapitres 11,1 et 11,2.**AVERTISSEMENT**

Si l'appareil est raccordée directement à un système de chauffage aux planchers, pour éviter les risques d'incendie, installer un thermostat de sécurité.

**INFORMATIONS IMPORTANTES**

Utiliser les bagues de passage correspondantes en bas de la chaudière pour enfiler les câbles à travers les plaques à bornes.

**11.1 RACCORDEMENT DU THERMOSTAT D'AMBIANCE****DANGER — HAUTE TENSION**

Les connexions dans la plaque à bornes M1 sont à haute tension (120 V). Avant d'effectuer tout branchement, s'assurer que l'appareil est débranché de l'alimentation électrique. Respecter la polarité L (SOUS TENSION) — N (NEUTRE).

Pour raccorder le thermostat d'ambiance à 120V à la chaudière, procédez tel que décrit ci-dessous :

- couper l'alimentation électrique à la chaudière;
- accéder à la plaque à bornes **M1** ;
- enlever le cavalier jaune sur les bornes 1 et 2 du bus **M1**.
- enlever la bretelle présente des extrémités de contacts **1-2** et raccorder les câbles du thermostat d'ambiance à **120 V** ;
- alimenter électriquement la chaudière et vérifier que le thermostat d'ambiance fonctionne correctement.

**11.2 RACCORDER LE THERMOSTAT D'AMBIANCE À 24 V**

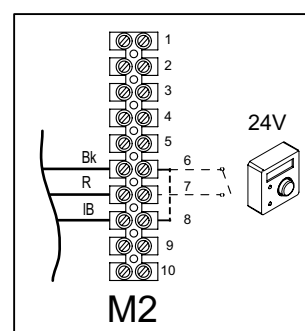
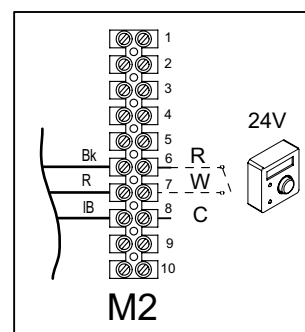
Pour raccorder un thermostat d'ambiance 24 V, procédez tel que décrit ci-dessous :

- couper l'alimentation électrique à la chaudière;
- accéder à la plaque à bornes **M2**;
- raccorder les câbles du thermostat d'ambiance à 24 V aux plaques à bornes **6(R)-7(W)-8(C)**;
- alimenter électriquement la chaudière et vérifier que le Thermostat d'ambiance à 24 V fonctionne correctement.

**REMARQUE : la charge maximale admise est 10 mA**

Pour raccorder un thermostat d'ambiance 24 V anticipateur de chaleur, procédez tel que décrit ci-dessous :

- couper l'alimentation électrique à la chaudière;
- accéder à la plaque à bornes **M2**;
- raccorder les câbles du thermostat d'ambiance de 24 V à résistance anticipatrice aux plaques à bornes **6-7**;
- raccorder un pont entre les plaques à bornes **6-8**;
- alimenter électriquement la chaudière et vérifier que le thermostat d'ambiance 24 V à résistance anticipatrice fonctionne correctement.



## 11.3 GESTION ENTRÉE 0-10V

Les fonctions avec le régulateur 0..10V sont activées à l'aide de leurs paramètres. Lorsque la fonction est activée (P82=3) et P78=1, l'entrée gère la température du point de consigne de chauffage automatiquement ; lorsque P78=2, l'entrée gère la puissance d'alimentation du chauffage directement. La demande est activée au-dessus de 3V et le point de consigne de chauffage est calculé par rapport à la déviation de 3 à 10V DC pour donner un point de consigne qui va du minimum au maximum.

0-10V entrée signal électrique DC (V)	P78 = 1		P78 = 2	
	Température point de consigne chauffage (°F)	(°C)	Chauffage Central - Débit thermique (Total) (kW)	(Btu/h)
0...3	ÉTEINT			
3	77	25	4.9	16,650
4	95	35	8.4	28,900
5	108	42	12.0	40,800
6	124	51	15.4	52,400
7	140	60	18.5	63,050
8	154	68	22.2	75,650
9	167	75	25.3	86,200
10	176	80	27.4	93,550

## AVERTISSEMENT



Tension d'entrée maximum admissible 11 V +/- 2 %

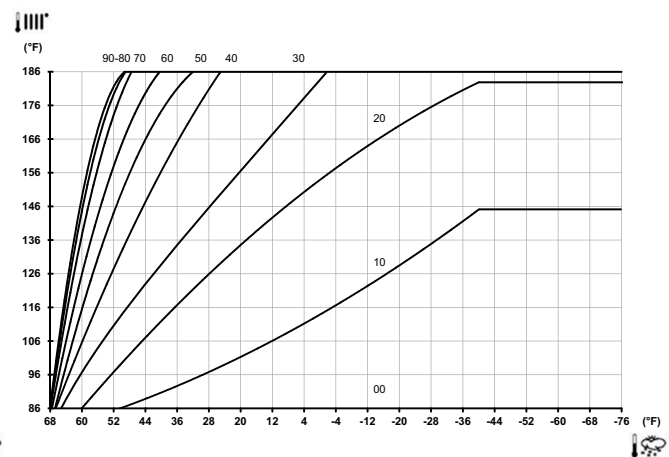
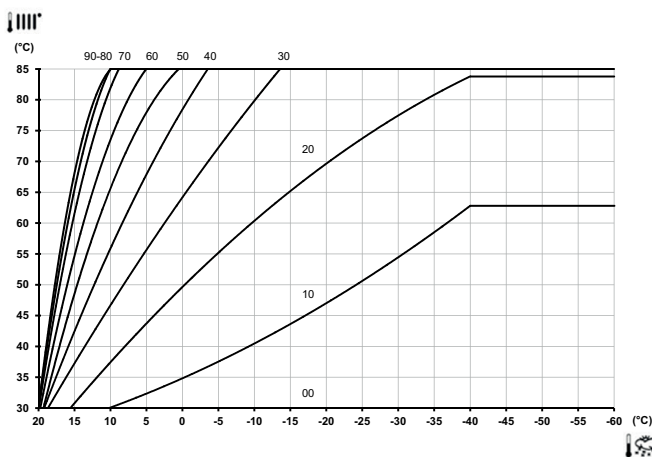
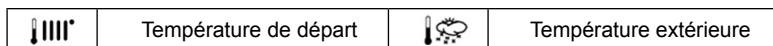
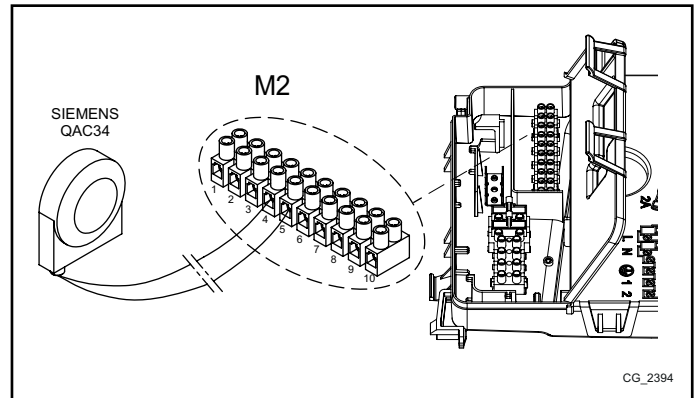
## 11.4 ACCESSOIRES

### 11.4.1 CAPTEUR DE TEMPÉRATURE EXTÉRIEUR

Pour raccorder cet accessoire, voir la figure ci-contre (plaques à bornes 4-5) et consulter les instructions fournies avec le capteur.

#### PROGRAMMATION DE LA COURBE CLIMATIQUE « Kt »

Lorsque le capteur externe est raccordé à la chaudière, la carte électronique règle la température de départ calculée en fonction du coefficient **Kt**. Sélectionner la courbe requise en appuyant sur les touches   comme indiqué sur le graphique ci-dessous, afin de choisir celle qui convient le mieux (de 00 à 90).



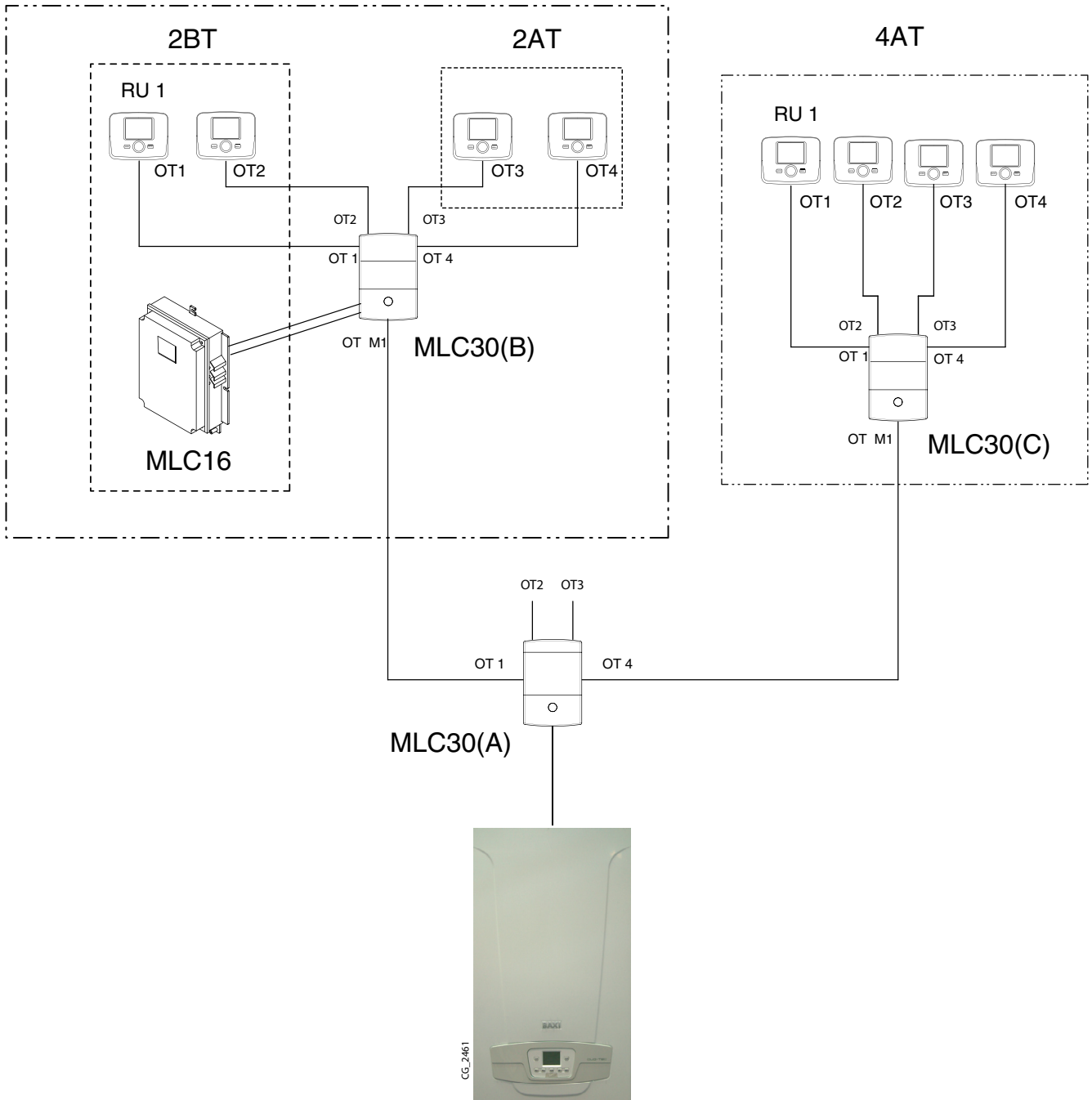
#### REMARQUE :

Pour des températures inférieures à - 40 °F (- 40 °C), le point de consigne maximum de la température de départ de chauffage n'augmente plus et les courbes indiquées sur le graphique deviennent horizontales.

## 11.4.2 GESTION DE ZONES

### 11.4.2.1 ACCESSOIRE MLC16

L'accessoire **MLC30** est un duplicateur de signal de bus de type « Open Therm » (OT). Lorsqu'il est raccordé à la chaudière, il permet de gérer jusqu'à 4 zones non mélangées à température élevée (AT) contrôlées par des appareils d'ambiance. Pour gérer des zones à températures mélangées à basse température (BT), il est nécessaire d'ajouter l'accessoire **MLC16** qui est fourni dans un kit séparé et décrit ci-après. Le schéma de principe illustré ci-après, démontre comment la modularité de l'accessoire MLC30 permet de gérer des systèmes mélangés et non mélangés en ajoutant les deux accessoires à un seul MLC30(A), nommé le « Concentrateur ». Tel que décrit ci-après, chaque « Concentrateur » MLC30(A) peut gérer de 1 à 4 entrées « Open Therm » (OT) auxquelles il est possible de raccorder d'autres MLC30, MLC16, pompes/soupapes de zone, appareils d'ambiance et/ou thermostats d'ambiance.



Section INSTALLATEUR (fr)

### 11.4.2.2 ZONES MÉLANGÉES - ACCESSOIRE MLC16

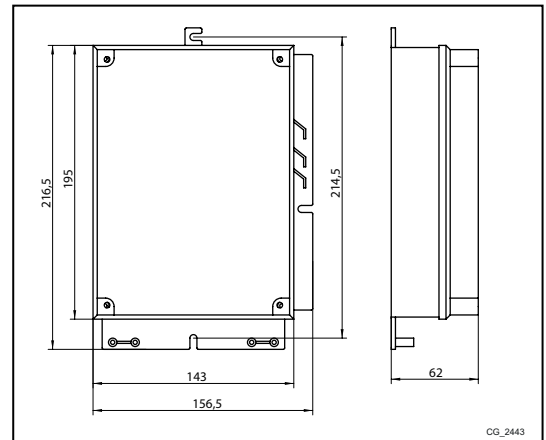
Pour la gestion de zone mélangées, il est nécessaire de relier l'accessoire **MLC16** au MLC30. Cet accessoire permet de gérer jusqu'à deux zones à basse température; les zones à température élevée sont gérées par l'accessoire **MLC30**.

## INFORMATIONS IMPORTANTES

Cet accessoire doit toujours être jumelé au MLC30.

Les caractéristiques principales de l'accessoire sont les suivantes :

- possibilité de gérer jusqu'à 2 entrées de thermostat d'ambiance/unité d'ambiance de basse tension;
- possibilité de gérer jusqu'à 2 sorties pour le pilotage de soupapes et de pompes par zones (120 V);
- possibilité de gérer deux zones indépendantes à basse température à travers la commande de deux robinets mélangeurs (120 V);
- programmer des points de consigne de basse température;
- 6 commutateurs DIP pour régler le mode de fonctionnement (à ne pas changer);
- protection anti-grippante pour la pompe;
- DEL indiquant l'état de fonctionnement et les erreurs.



## 12. FONCTIONS SPÉCIALES

### 12.1 MISE EN SERVICE

Lors du premier allumage de la chaudière, il est nécessaire d'exécuter la procédure décrite ci-après. Après avoir mis la chaudière sous tension, le code « **000** » apparaît sur l'afficheur; l'appareil est désormais prêt pour la procédure de « mise en service ».

- En appuyant simultanément pendant 6 secondes sur les touches **(iIP)** et **(iIP+)**, le message « **On** » apparaît sur l'afficheur pendant 2 secondes suivies du code « **312** » indiquant que la fonction de « **désaération** » est activée. Cette fonction dure 10 minutes.
- Par la suite, la chaudière s'allume, le code « **000** » sera affiché, en alternance avec la valeur en % de la puissance d'allumage et la valeur de la température (°C) de départ du chauffage. Pendant cette phase « **fonction de reconnaissance gaz** », qui dure environ 7 minutes, le type de gaz utilisé est analysé. Pendant l'exécution de cette fonction, s'assurer l'échange thermique maximum au système de chauffage ou au système d'ECS (demande d'eau chaude sanitaire), en ouvrant toutes les zones de chauffage et tous les robinets d'eau chaude sanitaire, afin d'éviter que la chaudière ne s'éteigne suite à un problème de surchauffe.
- Si la chaudière est alimentée au GAZ A (gaz naturel), l'afficheur affichera l'indication **NG** (Gaz A) pendant 10 secondes environ. La chaudière est désormais prête à fonctionner normalement. Si l'afficheur montre l'indication **LPG** (Gaz E), appuyer simultanément sur les touches **(iR)** et **(iIP)** pendant au moins 4 secondes pour quitter sans modifier les valeurs d'usine. La chaudière restera programmée au gaz naturel.
- Si la chaudière est alimentée au gaz propane, l'afficheur indiquera **LPG** (Gaz E). Appuyer pendant au moins 6 secondes sur la touche **(iIP)** pour valider le type de gaz en cours d'utilisation. Si l'afficheur indique **NG** (Gaz A) car il ne reconnaît pas le gaz d'alimentation, appuyer simultanément sur les touches **(iR)** et **(iIP)** pendant au moins 4 secondes pour sortir de cette fonction, puis modifier le paramètre **P02=01** comme indiqué au paragraphe 14 : « PROGRAMMATION DE PARAMÈTRES » du manuel d'utilisation de la chaudière.

## INFORMATIONS IMPORTANTES

Si la fonction de reconnaissance gaz ou de ventilation est interrompue par une panne de courant, lorsque l'alimentation est rétablie relancer la fonction en appuyant simultanément sur les touches **(iIP)** et **(iIP+)** pendant au moins 6 secondes. Si l'afficheur montre l'erreur E118 (pression basse dans le circuit hydraulique) pendant la fonction de ventilation, ouvrir le robinet de remplissage sur l'appareil et rétablir la bonne pression. Si la fonction de reconnaissance gaz est interrompue suite à une erreur (p. ex., E133 absence de gaz), appuyer sur **(iR)** pour réinitialiser, puis sur **(iIP)** et **(iIP+)** (pendant au moins 6 secondes) pour redémarrer la fonction. Si la fonction de reconnaissance de gaz est interrompue suite à une surchauffe, redémarrer la fonction en appuyant sur les touches **(iIP)** et **(iIP+)** pendant au moins 6 secondes.

La combustion de cet appareil a été contrôlée, étalonnée et réglée à l'usine pour fonctionner avec du Gaz A (gaz naturel).

Au cours de la fonction de contrôle du type de gaz, le coefficient de combustion augmentera pendant une courte période, lors de l'établissement du type de gaz.

## AVERTISSEMENT



Lors de l'allumage initial, le brûleur pourrait ne pas s'allumer (en provoquant ainsi l'arrêt de la chaudière) jusqu'à ce que de l'air soit ventilé dans les tuyaux à gaz. Dans ce cas, répéter la procédure d'allumage, jusqu'à ce que le gaz arrive au brûleur. Pour réinitialiser toute opération de la chaudière, appuyer sur **(iR)** pendant au moins 2 secondes.

## AVERTISSEMENT

Au cours des premiers allumages, immédiatement après l'installation le système doit exécuter une procédure d'autoapprentissage pour atteindre le bon niveau d'allumage.

## 12.2 FONCTION DE DÉSAÉRATION

Cette fonction permet de faciliter l'élimination de l'air à l'intérieur du circuit de chauffage lorsque la chaudière est installée ou après des opérations d'entretien lorsque l'eau est évacuée du circuit primaire.

Pour activer la fonction de désaération du système, appuyer simultanément sur les touches   pendant 6 secondes. Lorsque la fonction est activée, l'indication « On » apparaît sur l'afficheur pendant quelques secondes, suivie de la ligne **312** du programme. La carte électronique activera un cycle de marche / arrêt de la pompe d'une durée de 10 minutes. La fonction s'arrêtera automatiquement à la fin du cycle. Pour quitter manuellement cette fonction, appuyer une autre fois simultanément sur les touches susmentionnées pendant 6 secondes.

## 12.3 FONCTION DE RAMONAGE


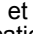


Pour le bon fonctionnement de la chaudière, la teneur en CO<sub>2</sub> - O<sub>2</sub> dans les combustions de gaz doit être comprise dans les limites de tolérance indiquées dans le tableau ci-dessous.

TABLE DE COMBUSTION

		Gaz A (Naturel Gas)		Gaz E (LPG)	
		CO <sub>2</sub> %	O <sub>2</sub> %	CO <sub>2</sub> %	O <sub>2</sub> %
Puissance maximale (100%)	Valeur nominale	9.0	4.9	10.0	5.7
	Valeur admissible	8.5 – 9.5	5.7 – 4.0	9.5 – 10.5	6.4 – 4.9
Puissance d'allumage (*)	Valeur nominale	8.8	5.2	10.8	4.8
	Valeur admissible	8.2 – 9.3	6.3 – 4.3	10.3 – 11.3	5.2 – 3.7
Puissance minimum (0%)	Valeur nominale	8.6	5.4	9.8	6.0
	Valeur admissible	8.1 – 9.2	6.5 – 4.5	9.3 – 10.3	6.7 – 5.2

(\*) Calculé automatiquement par la PCB

La fonction de ramonage permet à la chaudière à générer la **puissance maximale de chauffage**. Après l'activation, il est possible de régler le niveau du % de puissance de la chaudière, à être ajuster du minimum (0%) au maximum (100%) en mode ECS. La procédure est la suivante :

- appuyer simultanément sur les touches  et  pendant au moins 6 secondes. Lorsque la fonction est activée, l'afficheur indiquera pendant quelques secondes l'indication « On » suivie par la ligne « 303 » du programme en alternance avec la valeur en % de la puissance de la chaudière;
- se servir des touches   pour régler progressivement la puissance (par incréments de 1 %).
- pour quitter, appuyer simultanément pendant au moins 6 secondes sur les touches, comme indiqué au premier point.

## INFORMATIONS IMPORTANTES

Appuyer sur les touches  pour afficher la température de départ instantanée pendant 15 secondes.

## AVERTISSEMENT




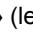



Les analyses de combustion doivent être effectuées à l'aide d'un analyseur calibré régulièrement.



## AVERTISSEMENT


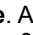
Pendant le fonctionnement normal, la chaudière exécute des cycles de contrôle de la combustion. Durant cette phase, il pourrait y avoir des valeurs de CO supérieures à 400 ppm lors de brèves périodes.

## 12.4 FONCTION D'AJUSTEMENT DE LA COMBUSTION (CO<sub>2</sub> %)

Cette fonction sert à effectuer un réglage partiel de la valeur de CO<sub>2</sub>%. La procédure est la suivante :

1. appuyer simultanément sur les touches  et  pendant au moins 6 secondes. Lorsque la fonction est activée, l'afficheur indiquera pendant quelques secondes l'indication « On » suivie par la ligne « 304 » du programme en alternance à la valeur en % de la puissance de la chaudière;
2. après l'allumage du brûleur, la chaudière passe à la puissance de l'ECS maximale (100). Lorsque l'afficheur indique « 100 », il est possible d'effectuer un ajustement partiel de la valeur de CO<sub>2</sub> % ;
3. appuyer sur la touche  ; l'afficheur indique « 00 » en alternance au numéro de la fonction « 304 » (le symbole  clignote) ;
4. appuyer sur les touches   pour augmenter ou diminuer le pourcentage de CO<sub>2</sub> (de -3 à +3);
5. appuyer sur la touche  pour sauvegarder la nouvelle valeur et revenir à l'affichage de la valeur de puissance « 100 » (la chaudière continue à fonctionner à la puissance de l'ECS maximale);


Cette procédure peut être utilisée également pour régler le pourcentage de CO<sub>2</sub> à la **puissance d'allumage** et à la **puissance minimale** en appuyant sur les touches   après l'étape 5 de la procédure précédemment décrite.

6. Après avoir sauvegardé la nouvelle valeur (point 5 de la procédure), appuyer sur la touche  pour amener la chaudière à sa **puissance d'allumage**. Attendre que la valeur de CO<sub>2</sub> soit stable et procéder ensuite au réglage comme indiqué à l'étape 4 de la procédure (la valeur de puissance est un nombre <-> 100 et <-> 0), puis sauvegarder (étape 5);
7. appuyer de nouveau sur la touche  pour amener la chaudière à la **puissance minimale**. Attendre que la valeur de CO<sub>2</sub> soit stable, puis ajuster comme indiqué à l'étape 4 de la procédure (la valeur de puissance = 00);
8. pour quitter la fonction, appuyer pendant au moins 6 secondes sur les touches comme indiqué à l'étape 1.



## 12.5 MESSAGES D'ERREURS ET RÉINITIALISATION DE LA CHAUDIÈRE

<b>E</b>	Description de l'ERREUR	OPÉRATION
<b>09</b>	Erreur de connexion de la vanne gaz.	Vérifier le câble pcb / la vanne gaz et la fiche de cette dernière
<b>10</b>	Erreur de la sonde de température extérieure	Contrôler la sonde et le câble
<b>15</b>	Erreur de commande de la vanne gaz.	Vérifier tous les câbles. Remplacer le pcb. Contacter un SERVICE d'assistance technique agréé
<b>20</b>	Erreur de la sonde NTC chauffage central.	Contrôler la sonde et le câble
<b>28</b>	Erreur de la sonde NTC fumées	Contrôler la sonde et le câble
<b>40</b>	Erreur de la sonde NTC retour	Contrôler la sonde et le câble
<b>50</b>	Erreur de la sonde NTC de l'eau chaude sanitaire	Contrôler la sonde et le câble
<b>53</b>	Engorgement dans le tuyau à fumée.	Contrôle de l'engorgement dans le tuyau à fumée.
<b>55</b>	PCB non programmé.	Contacter un SERVICE d'assistance technique agréé
<b>83-84-85 86-87</b>	Problème de communication entre la carte de la chaudière et l'unité de commande.	Contrôler le câble entre l'unité de commande et la chaudière
<b>109</b>	Alarme précirculation (erreur temporaire).	Vérifier la bonne circulation de l'eau et de la pompe
<b>110</b>	<b>R</b> Déclenchement du thermostat de sécurité suite à une surchauffe (pompe probablement bloquée ou air dans le circuit de chauffage).	Contrôler le thermostat de sécurité et le câble ; contrôler la bonne circulation de l'eau et de la pompe.
<b>118</b>	Pression hydraulique trop basse.	Remplir à nouveau l'installation de chauffage en ouvrant le robinet de l'eau froide
<b>125</b>	<b>R</b> Pas de circulation d'eau (contrôle effectué par un capteur de température).	Vérifier la bonne circulation de l'eau et de la pompe. Contrôler que la sonde NTC soit bien raccordée sur le tuyau.
<b>128</b>	<b>R</b> Arrêt de la flamme.	Contrôler l'électrode de détection et le câble, la recirculation de la fumée, la continuité électrique entre la chaudière et la masse. Activer le calibrage automatique. Contacter un SERVICE d'assistance technique agréé.
<b>130</b>	<b>R</b> Enclenchement de la sonde NTC fumées suite à une surchauffe.	Contrôler le thermostat, la bonne circulation de l'eau et de la pompe. Contrôler l'état de l'échangeur principal.
<b>131</b>	Fusible thermique déclenché à cause d'une surchauffe.	Contrôler le fusible thermique, la bonne circulation de l'eau et de la pompe. Contrôler l'état de l'échangeur principal. Remplacer l'échangeur de chaleur. Contacter un SERVICE d'assistance technique agréé.
<b>133</b>	<b>R</b> Échec d'allumage	Contrôler le bon fonctionnement du purgeur de condensats. Contrôler le bon fonctionnement du capteur de condensation, si présent. Contrôler l'électrode de détection, l'électrode d'allumage et le câble. Contrôler la recirculation de la fumée, la continuité électrique entre la chaudière et la masse. Activer la fonction de calibrage automatique. Contacter un SERVICE d'assistance technique agréé
<b>134</b>	<b>R</b> Robinet d'alimentation en gaz bloqué.	Vérifier la pression du gaz, l'électrode de détection, l'éclateur et le câble. Le cas échéant, remplacer le pcb. Contacter un SERVICE d'assistance technique agréé
<b>135</b>	Erreur interne.	Vérifier tous les câbles. Remplacer le pcb. Contacter un SERVICE d'assistance technique agréé
<b>160</b>	Erreur du ventilateur.	Vérifier le ventilateur et le câble
<b>162/317</b>	Fréquence d'alimentation électrique erronée.	Fréquence d'alimentation électrique erronée.
<b>169</b>	Pressostat de fumées (contact ouvert)	Contrôler le pressostat et le câble. Contrôle de l'engorgement dans le tuyau à fumée
<b>164/ 384</b>	<b>R</b> Erreur flamme (flamme parasite).	Contrôler le bon fonctionnement de la vanne gaz.
<b>165/385</b>	Tension d'entrée trop basse.	Vérifier l'alimentation électrique

Pour RÉINITIALISER **R** la chaudière, appuyer sur le bouton (  ) pendant au moins 2 secondes. Pour tout autre code d'erreur non décrit dans le tableau veuillez contacter un centre d'Assistance Technique agréé.

## 13. MISE EN SERVICE DE LA CHAUDIÈRE

### 13.1 ESSAI CONTRE LES FUITES DE GAZ ET PURGE DE L'ALIMENTATION EN GAZ

- Avec le robinet d'alimentation en gaz de la chaudière fermé (tige à angle droit à la soupape). Soumettre à l'épreuve de pression l'alimentation en gaz et la tuyauterie d'entrée qui sont raccordées au robinet du gaz de la chaudière pour en vérifier l'étanchéité.
- Desserrer la vis du point de l'épreuve de pression de la prise de gaz sur la soupape de gaz (voir le paragraphe 13.4 : « SOUPAPE DE GAZ »). S'assurer que l'alimentation en gaz est active et ouvrir le robinet d'alimentation en gaz de la chaudière pour l'évacuer.
- Resserrer la vis du point d'épreuve de pression et vérifier les fuites de gaz. Fermer le dispositif de fermeture du gaz de la chaudière.

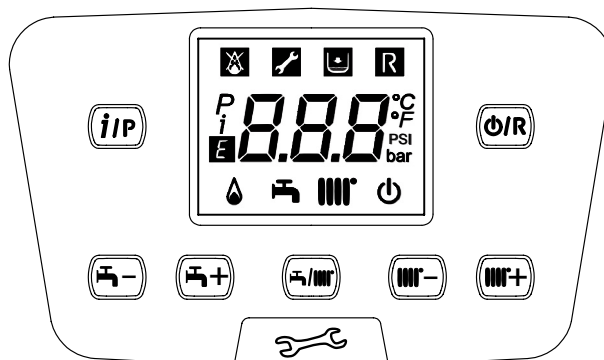
### 13.2 COMMANDES DE LA CHAUDIÈRE

Pour allumer correctement la chaudière, procédez tel que décrit ci-dessous :

- vérifier que la pression du système soit correcte;
- mettre la chaudière sous tension;
- ouvrir le robinet du gaz (jaune, positionné sous la chaudière);
- sélectionner le mode de chauffage requis (voir le paragraphe 3.4 « MODES DE FONCTIONNEMENT »).

#### Légende TOUCHES

	Réglage température eau sanitaire (touche + pour augmenter la température et touche - pour la diminuer)
	Réglage température eau de chauffage (touche + pour augmenter la température et touche - pour la diminuer)
	Informations de fonctionnement chaudière
	Mode de fonctionnement : ECS – ECS & Chauffage – Seulement chauffage
	Éteint – Remise à zéro – Sortie menu/fonctions



#### Légende SYMBOLES

	Arrêté : chauffage et ECS désactivés (seule la protection contre le gel de la chaudière est activée)		Brûleur allumé
	Erreur d'allumage		Mode de fonctionnement ECS activé
	Basse pression eau chaudière/installation		Mode de fonctionnement chauffage activé
	Demande intervention Assistance technique		Menu de programmation
	Anomalie annulable manuellement (touche		Menu informations chaudière
	Anomalie en cours	°C, °F, bar, PSI	Unités de mesure programmées (SI/US)

## 13.3 SOUPE DE GAZ

### Légende de la soupape de gaz

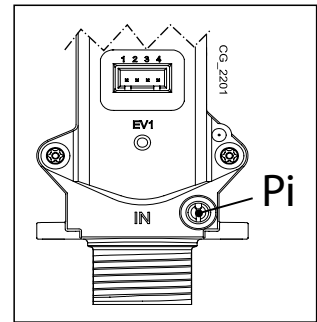
Pi
Prise de pression d'entrée du gaz

### CHANGEMENT DU TYPE DE GAZ

Lors de la première installation, la chaudière exécute une fonction de mise en service automatique. Le système est en mesure de détecter le type de gaz présent dans le réseau et le réglage du gaz approprié peut facilement être effectuée en appuyant sur les deux boutons (voir le paragraphe 12.1 : « MISE EN SERVICE »).

Si une modification du gaz doit être effectuée après la première installation, procédez tel que décrit ci-dessous :

- modifier le paramètre **P02** (voir la section 12 : « FONCTIONS SPÉCIALES » et la section 14 : « PROGRAMMATION DE PARAMÈTRES ») ;
- vérifier que la pression de gaz soit appropriée pour le Gaz A (gaz naturel) = 7.0 en CE (17.4 mbar); Gaz E (GPL) = 11.0 en CE (27.4 mbar).



Dans les deux cas, à la fin de la première mise en service ou après la modification du gaz, la nouvelle étiquette avec l'indication du gaz, fournie avec la chaudière, doit être ajoutée près de la plaque signalétique de la chaudière, qui remplacera celle d'origine. Il est recommandé d'effectuer une vérification de la concentration de CO<sub>2</sub> sur le conduit de fumée.

## 14. PROGRAMMATION DE PARAMÈTRES

Pour programmer les paramètres de la carte électronique de la chaudière, procédez tel que décrit ci-dessous :

- Appuyer simultanément sur les touches pendant 6 secondes jusqu'à ce que la ligne du programme « P01 » soit affichée en alternance avec la valeur configurée ;
- se servir des touches pour faire défiler la liste des paramètres;
- en appuyant sur la touche (IP), la valeur du paramètre sélectionné commence à clignoter; se servir des touches pour modifier la valeur;
- appuyer sur la touche (IP) pour valider la valeur ou bien appuyer sur la touche (IR) pour quitter sans sauvegarder.

## INFORMATIONS IMPORTANTES

Des informations supplémentaires sur les paramètres indiqués dans le tableau suivant sont fournies avec les accessoires requis.

	DESCRIPTION DES PARAMÈTRES LUNA DUO-TEC	RÉGLAGES D'USINE
P01	Informations du fabricant	01
P02	Type de gaz utilisé 00 = Gaz A (Gaz naturel) - 01 = Gaz E (GPL)	00
P03	Système hydraulique 00 = appareil instantané 03 = appareil instantané avec fonction de préchauffage 05 = appareil avec ballon externe 08 = appareil chauffage seulement 13 = appareil instantané avec fonction de préchauffage pour une application solaire	00
P04	Réglage relais programmable 1 (optionnel): 00 = aucune fonction est associée 01 = contact fermé avec une demande de thermostat d'ambiance (autre que le thermostat Baxi) 02 = contact fermé avec une demande du thermostat d'ambiance Baxi 03 = relais pour indication pression d'eau minimum 04 = relais pour affichage code d'erreur 05 = relais pour fonction ventilation cuisine 07 = relais pour pompe post circulation 09 = relais ECS allumé avec réglage programme ECS 10 = relais ECS allumé avec demande ECS ; si P64 = 1 relais allumé avec demande chauffage central et ECS 13 = relais pour fonction de refroidissement 14 = contact fermé avec une demande de thermostat d'ambiance (120V~) avec post circulation 15 = contact fermé avec une demande d'ouverture à distance thermostat avec post circulation	02
P05	Réglage relais programmable 2 (optionnel): (voir Instructions ENTRETIEN)	04
P06	Configuration entrée sonde température extérieure 00= une sonde de température extérieure connectée influence le calcul du point de consigne température de départ du chauffage 01= avec une sonde de température extérieure connectée, l'écran affiche la valeur de la température extérieure (aucune influence) 02...05= aucune fonction est associée	00

<b>P07</b>	<p><b>00.02</b> = Aucune fonction associée</p> <p><b>03</b> = Contact d'entrée pour demande de CH (par exemple déclenchement téléphone). Lorsque le contact CN2 est fermé et le thermostat d'ambiance (RT) demandant la chaleur, le brûleur se met en marche.</p> <p><b>Remarque : vérifiez que le mode chauffage est activé (hiver ou mode chauffage seulement)</b></p> <p><b>04</b> = Contact d'entrée pour thermostat basse température (par exemple, système de chauffage par le sol). Lorsque le thermostat basse température connecté sur CN2 se coupe, le brûleur s'éteint et l'écran affiche l'erreur <b>E178</b>.</p> <p><b>Remarque : vérifiez que le mode chauffage est activé (hiver ou mode chauffage seulement)</b></p> <p><b>05</b> = Contact d'entrée pour une pompe de recirculation externe DHW. Lorsque le contact CN2 est fermé, la pompe fonctionne pour une durée prédéfinie. Pour activer l'entrée il est nécessaire de régler le paramètre <b>P04</b> ou <b>P05 = 08</b> et <b>P69 = 05</b>. La pompe va fonctionner à <b>P19</b> minutes (mode été/hiver ou mode hiver seulement) ou <b>P19/2</b> minutes (mode été seulement).</p>	00
<b>P09</b>	Informations du fabricant	--
<b>P10</b>	Réglage de la consigne de chauffage OT / RT (Open Therm / Thermostat d'ambiance 120V ~)	00
	<p><b>00</b> = avec télécommande (RC) connecté, la demande de température est le RC consigne</p> <p><b>01</b> = Demande La température est le point de consigne plus élevée entre RC et PCB</p> <p><b>02</b> = La demande de température est le RU consigne. La RT activer la chaudière à gaz fonctionne</p>	
<b>P11..P12</b>	Informations du fabricant	--
<b>P13</b>	Puissance max. en chauffage <b>(0-100%)</b>	80
<b>P14</b>	Puissance max. en ECS <b>(0-100%)</b>	100
<b>P15</b>	Puissance min. en chauffage <b>(0-100%)</b>	00
<b>P16</b>	Point de consigne maximum (°C) chauffage <b>00</b> = 176°F/85°C - <b>01</b> = 113°F/45°C	00
<b>P17</b>	Temps de post-circulation pompe chauffage <b>(01-240 minutes)</b>	03
<b>P18</b>	Temps d'attente en mode chauffage avant une nouvelle mise en marche <b>(00-10 minutes) - 00=10 secondes</b>	03
<b>P19</b>	Informations du fabricant	07
<b>P20</b>	Temps de post-circulation pompe en ECS <b>(secondes)</b>	30
<b>P21</b>	Fonction anti-légionellose <b>00</b> = Désactivée - <b>01</b> = Activée	00
<b>P22</b>	Informations du fabricant (configurer «22» pour afficher les paramètres P71 et P72)	00
<b>P23</b>	Température maximum (ECS) point de consigne eau chaude sanitaire (113°-140°F /45°-60°C)	49
<b>P24</b>	Informations du fabricant	35
<b>P25</b>	Dispositif de protection absence d'eau	00
<b>P26..P31</b>	Informations du fabricant	--
<b>P32..P41</b>	Diagnostic (voir Instructions ENTRETIEN)	--
<b>P44</b>	Configuration unité température <b>00</b> = °C <b>01</b> = °F	01
<b>P71 *</b>	Vitesse maximum du ventilateur	--
<b>P72 *</b>	Vitesse minimum du ventilateur	--
<b>P78</b>	Sélection de tension 0...10V <b>00</b> = Désactivé <b>01</b> = Modulation point de consigne : 3V point de consigne min CH et 10V point de consigne max CC <b>02</b> = Modulation alimentation : 3V puissance min CC et 10V puissance max CC avec point de consigne défini par HMI	00
<b>P82</b>	0...10V fonction activée/désactivée <b>03</b> = 0...10V <b>04</b> = Non utilisé	04

\* Voir les Tableaux à la SECTION 2.2 « PARAMÈTRES POUR HAUTE ALTITUDE »

**REMARQUE :**

pour faire défiler les paramètres **P71** et **P72**, il faut d'abord configurer **P22** sur 22 avant de défiler vers le paramètre.

## 14.1 RÉGLAGE PUISSANCE DE CHAUFFE MAXIMUM

La puissance de chauffe maximum de la chaudière peut être réduite en fonction des besoins de l'installation de chauffage qu'elle dessert. Un tableau indiquant les valeurs du paramètre P13 selon le modèle de puissance maximum désirée est présent au-dessous de chaque chaudière.

Pour accéder et modifier les valeurs **P13**, procéder comme cela est indiqué dans la section RÉGLAGES PARAMÈTRES.

### Modèle de chaudière - PARAMÈTRE P13 (%) / Puissance de chauffage

Btu/h	kW	30 GA
17060	5	0
20,473	6	3
23,885	7	6
27,297	8	9
30,709	9	12
34,121	10	15
40,946	12	21
47,770	14	28
54,594	16	35
61,419	18	45
68,243	20	55
75,067	22	65
81,891	24	75
85,400	25	80

## 15. ENTRETIEN ANNUEL

### DANGER DE BRÛLURES

Attendre que l'appareil se refroidisse avant de travailler sur les pièces exposées à la chaleur.

### AVERTISSEMENT

Avant d'entreprendre toute opération d'entretien, s'assurer que la chaudière est débranchée de l'alimentation électrique. Après l'entretien, réinitialiser les paramètres de fonctionnement originaux de la chaudière, s'ils ont été modifiés.

### DANGER DE BRÛLURES

Ne pas nettoyer la chaudière avec des substances abrasives, corrosives et /ou facilement inflammables (telles que de l'essence, l'acétone, etc.).

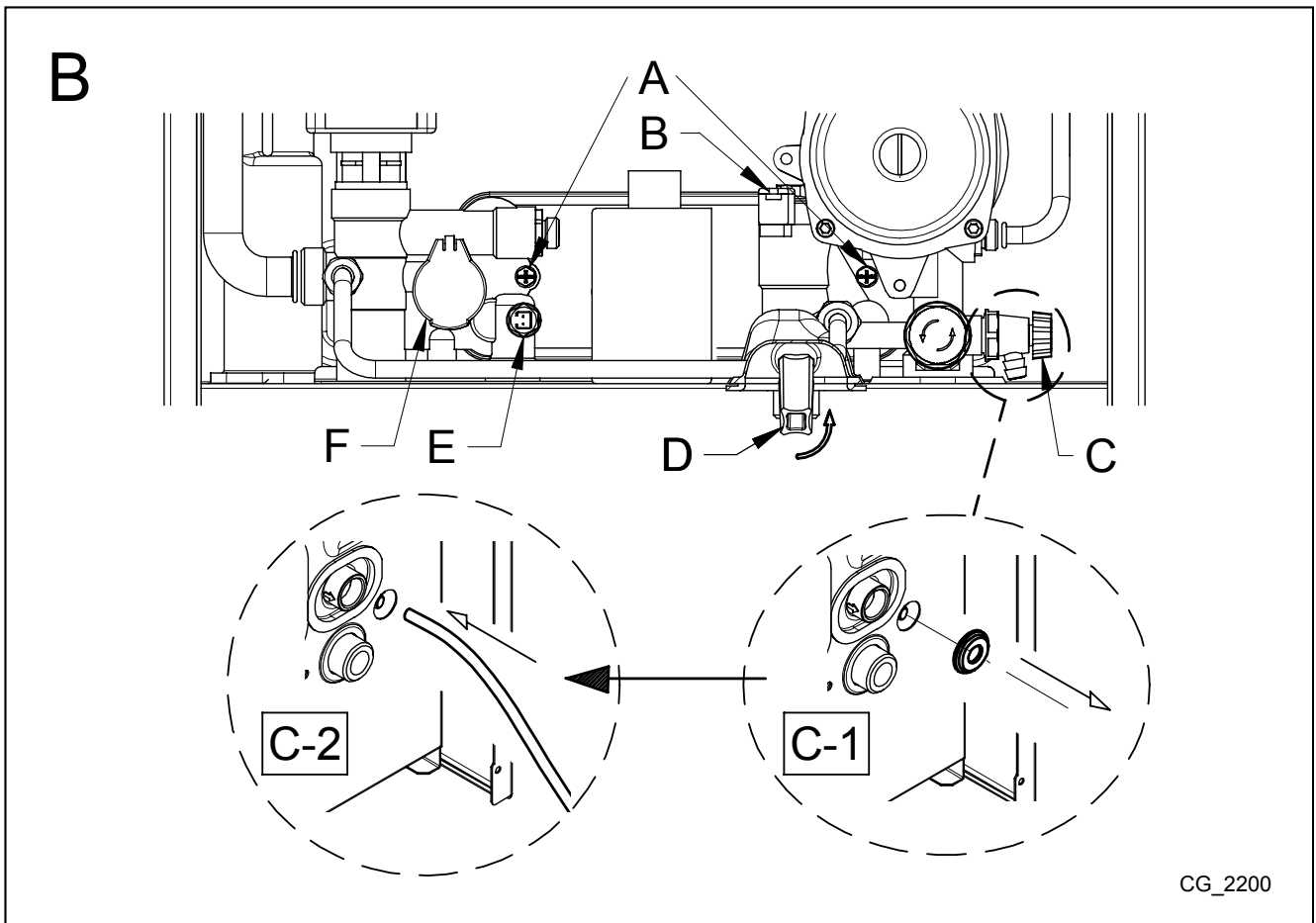
Pour assurer une efficacité optimale à la chaudière, il faut effectuer l'entretien suivant une fois par an :

- vérifier l'apparence et l'étanchéité des joints du circuit de gaz et du circuit de combustion. Remplacer les joints endommagés par des pièces de rechange neuves et originales;
- vérifier l'état et de la bonne position des électrodes d'allumage et de détection de flamme;
- vérifier l'état du brûleur et s'assurer qu'il est fixé fermement;
- vérifier la présence de saletés à l'intérieur de la chambre de combustion. Pour faire cela, utiliser un aspirateur;
- vérifier la pression du système de chauffage;
- vérifier la pression du vase d'expansion;
- vérifier le bon fonctionnement du ventilateur;
- vérifier la présence d'obstructions dans les conduits d'air et de fumée;
- vérifier la présence de saletés à l'intérieur du siphon;
- vérifier l'intégrité de l'anode de magnésium, si présent, dans les chaudières équipées d'un réservoir de stockage indirect.

## 15.1 UNITÉ HYDRAULIQUE

Pour des zones particulières, où les caractéristiques de dureté de l'eau dépassent les valeurs de **20 °f = 200 ppm ou 12 grains/gallon** (1 °f = 10 ppm = 10 mg/l), il faut prévoir l'installation d'un doseur de polyphosphates ou de tout autre système de traitement d'une efficacité équivalente, conforme aux réglementations en vigueur.

LÉGENDE



CG\_2200

A	Vis de fixation de l'échangeur sanitaire
B	Capteur de priorité sanitaire avec filtre
C	Robinet d'évacuation chaudière / installation (C-1 & C-2: accès au robinet C - côté inférieur de la chaudière)
D	Robinet de remplissage chaudière / installation
E	Sonde de température NTC sanitaire
F	Coupure pour un bas niveau d'eau

### 15.1.1 NETTOYAGE DU FILTRE POUR EAU FROIDE

La chaudière est équipée d'un filtre pour eau froide, placé sur le groupe hydraulique ( B ). Pour nettoyer le filtre, procédez tel que décrit ci-dessous :

- vider l'eau contenue dans le système d'eau chaude sanitaire (ECS);
- dévisser l'écrou présent sur l'unité de capteur de priorité de l'eau chaude sanitaire (ECS);
- extraire de son logement le capteur et son filtre;
- éliminer toute saleté.

## AVERTISSEMENT

Lors du remplacement et/ou du nettoyage des « joints toriques » sur l'unité hydraulique, utiliser uniquement du Molykote 111 comme lubrifiant, pas d'huile ni de graisse.

## 15.2 MISE EN SERVICE FINALE

- Permettre au système de chauffage de chauffer, puis équilibrer le système pour réaliser la différence de température nécessaire à travers les tuyaux d'alimentation et de retour à la chaudière et vérifier que le système ait un volume et une pression appropriés (voir le paragraphe 2.7 : « HAUTEUR D'ÉLEVATION DISPONIBLE POUR LE CHAUFFAGE CENTRAL » et le paragraphe 2.8 : « VOLUME DU SYSTÈME »).
- Couper l'alimentation électrique à la chaudière.
- Rincer soigneusement la tuyauterie d'eau et nettoyer les filtres dans les soupapes d'isolement du retour et de l'alimentation de chauffage.
- Repressuriser le système.

## 15.3 ASSEMBLAGE FINAL

- Positionner le bâti avant sur la chaudière en s'assurant que la partie en bas est placée derrière le panneau de commande, puis fixer le bâti en haut au moyen des vis enlevées préalablement.
- Si la chaudière est laissée en marche à l'UTILISATEUR, régler les commandes et le thermostat d'ambiance (si installé).
- S'il n'est pas nécessaire de livrer la chaudière immédiatement, fermer le robinet d'alimentation en gaz et couper l'alimentation électrique.
- Au cas où la chaudière serait laissée au risque de condition de gel, il faut la vidanger auparavant (voir la section 18 : « REMPLACEMENT DE COMPOSANTS OU NETTOYAGE PÉRIODIQUE »). Il est recommandé d'apposer une étiquette sur la chaudière pour signaler que le système a été vidangé.
- Remplir les détails de l'installation à la page finale du présente manuel.

## 15.4 INFORMATIONS POUR L'UTILISATEUR

L'utilisateur doit être informé et montré, si nécessaire, les points importants suivants :

- comment allumer et éteindre la chaudière et comment utiliser les commandes du système;
- l'importance de l'entretien annuel de la chaudière pour assurer un fonctionnement efficace et sécuritaire;
- tout entretien ou remplacement de pièces doit être effectué exclusivement par un personnel qualifié;
- s'assurer que les commandes de la chaudière et le thermostat d'ambiance, s'ils sont installés, sont réglés selon les exigences de l'utilisateur;
- informer l'utilisateur de la pression étanche du système;
- informer l'utilisateur que si l'afficheur est actif et la chaudière n'a ni chauffé l'eau ni alimenté le système de chauffage pendant 24 heures, la pompe fonctionnera automatiquement pendant 5 minutes.
- expliquer à l'utilisateur que la chaudière est dotée d'un thermostat antigel interne et qu'il est nécessaire de ne pas couper l'alimentation électrique s'il désire que le thermostat soit actif.
- montrer à l'utilisateur la position du pressostat du tuyau de décharge.
- remettre le mode d'emploi à l'utilisateur.
- laisser le présent manuel d'installation et d'entretien à l'utilisateur pour usage en cas d'interventions futures.

## 16. FONCTIONNEMENT DE LA CHAUDIÈRE

L'eau chaude sanitaire est toujours prioritaire sur le chauffage central. Si une demande pour l'eau chaude est nécessaire pendant une période de chauffage central, la chaudière se met automatiquement en mode d'eau chaude jusqu'à ce que la demande soit satisfaite, p. ex., le stockage d'eau est à la température requise. Cette interruption dans le chauffage central est présente seulement lorsque la demande d'eau chaude est présente et ne doit pas être remarquée par l'utilisateur.

### 16.1 MODE DE CHAUFFAGE CENTRAL

S'il y a une demande thermique, la pompe commencera à faire circuler l'eau de chauffage central, en exploitant l'interrupteur de débit. Le ventilateur fonctionnera; une fois que la vitesse du ventilateur est atteinte, le brûleur s'allumera. La puissance du brûleur s'ajuste automatiquement en fonction de la demande de l'installation; dès que la température de l'eau dans la chaudière s'approche à celle fixée par le sélecteur de température ajustable, la puissance du brûleur est réduite. Lorsque la température fixée est atteinte, le brûleur s'éteint et le ventilateur s'arrête. La pompe continue de fonctionner pendant trois minutes pour évacuer la chaleur résiduelle accumulée dans la chaudière. Le brûleur ne se rallumera pas pendant 3 minutes. Si le capteur de chauffage centrale (CC) n'a pas enregistré la température préréglée, mais le thermostat d'ambiance est satisfait, le brûleur s'éteint, le ventilateur s'arrête et la pompe continue à fonctionner pendant trois minutes. Dans ce cas, il n'y a aucun délai de 3 minutes avant que le brûleur se rallume. S'il y a une demande pour l'ECS pendant le délai du brûleur de 3 minutes, la chaudière fonctionnera pour fournir de l'ECS jusqu'à ce que le robinet sera fermé; la chaudière retournera immédiatement en mode CC s'il y a une demande.

### 16.2 MODE D'EAU CHAUDE SANITAIRE

Au moment où l'interrupteur de débit enregistre une demande d'eau chaude (à l'ouverture d'un robinet d'eau chaude, etc.), la pompe s'allume et le brûleur démarre au début à puissance initiale, ensuite à puissance maximale. L'eau dans la chaudière est donc détournée du système de chauffage central à l'échangeur thermique de l'eau chaude sanitaire, en chauffant l'eau qui arrive du réseau. La puissance du brûleur s'ajuste de façon à maintenir la température de l'eau chaude établie par le sélecteur de température réglable. Quand l'interrupteur de débit détecte que l'eau chaude n'est plus nécessaire, le brûleur s'éteint et la chaudière retourne immédiatement au mode de chauffage central.

### 16.3 PROTECTION CONTRE LE GEL

La chaudière est dotée d'un thermostat antigel intégré qui allume automatiquement la chaudière et la pompe au cas où la température dans la chaudière chuterait à moins de 41 F/5 °C, pourvu que l'afficheur soit allumé. La chaudière fonctionnera jusqu'à ce que la température du système sera environ à 86 °F/30 °C. La protection antigel est seulement pour la chaudière et pas pour le système de chauffage central complet.

### 16.4 POMPE

Si l'afficheur est allumé et la chaudière n'a ni chauffé l'eau ni alimenté le système de chauffage pendant 24 heures, la pompe se mettra en marche automatiquement pendant 5 minutes à toutes les 24 heures.

### 16.5 CBNE - COUPURE POUR BAS NIVEAU D'EAU

Ce dispositif protège l'échangeur primaire contre tout dommage, en ne permettant pas à la chaudière de fonctionner avec un BAS niveau d'eau. Le bas niveau d'eau se produit lorsque la pression de l'eau descend en dessous 7.0 po (0.5 bar) environ.

## 16.6 THERMOSTAT DE SÉCURITÉ DU CONDUIT DE FUMÉE

Ce dispositif, positionné sur le conduit de fumée à l'intérieur de la chaudière, interrompt le débit de gaz au brûleur en cas de température trop élevée.

Après avoir vérifié la raison de l'intervention du dispositif, appuyer sur  pendant au moins 2 secondes.

## DANGER

**Il est interdit de désactiver ce dispositif de sécurité.**

## 16.7 REMPLACEMENT DES COMPOSANTS

Activer la procédure d'étalonnage automatique décrite ci-après en cas de remplacement de l'un des composants suivants ou de plusieurs d'entre eux. Vérifier et régler la valeur de % du CO<sub>2</sub> comme indiqué dans le « tableau des combustions ».

Composants remplacés :

- échangeur thermique primaire;
- ventilateur;
- soupape de gaz;
- injecteur de gaz;
- brûleur;
- électrode de détection de flamme.

## INFORMATIONS IMPORTANTES

**Lors de toute opération sur l'appareil, contrôler l'état et la position des électrodes de détection de flamme et, le cas échéant, les remplacer.**

## FONCTION D'ÉTALONNAGE AUTOMATIQUE


## AVERTISSEMENT



**Pendant l'exécution de cette fonction s'assurer qu'il y ait un échange thermique maximum vers le système dans le mode chauffage ou ECS (demande ECS), afin d'éviter que la chaudière ne s'éteigne suite à un problème de surchauffe.**



Appuyer simultanément pendant 6 secondes sur les touches  et . Lorsque l'afficheur indique « On », appuyer sur la touche  (d'ici 3 secondes après avoir appuyé sur les touches précédentes).


## INFORMATIONS IMPORTANTES

**Si l'afficheur indique « 303 », la fonction d'étalonnage automatique n'a pas été activée. Débrancher la chaudière de l'alimentation électrique pendant quelques secondes, puis répéter la procédure.**

Lorsque la fonction est activée, les symboles  et  clignotent sur l'afficheur.

Après la séquence d'allumage, qui peut parfois nécessiter plusieurs tentatives, la chaudière effectue trois opérations (d'une durée d'environ 1 minute chacune), en se plaçant tout d'abord à la puissance maximale, puis ensuite à la puissance d'allumage et enfin à la puissance minimale. Avant de passer à l'étape suivante (de la puissance maximale à la puissance d'allumage et ensuite à la puissance minimale), l'afficheur montrera pendant quelques secondes les symboles  et . Pendant cette phase, l'afficheur montre, en alternance, le niveau de puissance atteint par la chaudière et la température de départ.

Lorsque les symboles  et  clignotent simultanément, cela signifie que la fonction d'étalonnage est terminée.

Pour quitter la fonction, appuyer sur la touche  ; l'afficheur montre l'indication **ESC**.

## INFORMATIONS IMPORTANTES

**Dans le cas où la fonction d'étalonnage ne complète pas la fonction, appuyer sur la touche  pour quitter et diminuer la vitesse maximale du ventilateur (paramètre P71) avant d'activer la fonction de nouveau. Pour plus de détails, voir le manuel d'entretien.**



## 17. ENTRETIEN COURANT

Afin de maintenir le bon fonctionnement de votre chaudière, il est recommandé d'effectuer des vérifications et des entretiens nécessaires à intervalles réguliers. La fréquence des entretiens dépend des conditions particulières d'installation et d'emploi, mais en général une fois par an est adéquate.

Le fabricant recommande que toute opération d'entretien soit effectuée par un technicien titulaire d'un permis.

### ATTENTION

**Étiqueter tous les câbles avant de les déconnecter lors des opérations d'entretien. Toute erreur de câblage peut provoquer un fonctionnement erroné et dangereux.**

### REMARQUES IMPORTANTES AVANT L'ENTRETIEN

### AVERTISSEMENT

L'enveloppe d'isolation de la chambre de combustion de ce produit contient de la fibre de céramique. Les fibres de céramiques peuvent être converties en cristobalite lors des applications à très haute température. L'Agence internationale pour la recherche contre le cancer (The International Agency for Research on Cancer - IARC) a conclu que « La silice cristalline inhalée sous la forme de quartz ou de cristobalite lors de l'activité professionnelle est cancérigène pour les humains (Groupe 1). Éviter de respirer la poussière et éviter tous contacts avec la peau et les yeux. Utiliser un respirateur anti-poussière certifié NIOSH (N95). Ce type de respirateur est conforme aux exigences d'OSHA pour la cristobalite au moment que ce document a été écrit. D'autres types de respirateurs peuvent être nécessaires en fonction des conditions de travail. Les recommandations actuelles de NIOSH sont disponibles sur le site Web de NIOSH <http://www.cdc.gov/niosh/homepage.html>, ainsi que les respirateurs approuvés par NIOSH, les fabricants et les numéros de téléphone. Porter des manches longues, des vêtements larges, des gants et des lunettes de protection. Mouiller avec de l'eau le revêtement de la chambre de combustion pour éviter la poussière. Laver les vêtements potentiellement contaminés séparément des autres vêtements. Rincer soigneusement le laveuse de linges.

**Premiers soins recommandés par NIOSH.**  
**Yeux : laver immédiatement.**  
**Respiration : air frais.**

- Vérifier le terminal de fumée à l'extérieur et s'assurer qu'il n'est pas bloqué.
- Mettre la chaudière en marche et vérifier le bon fonctionnement des commandes.
- S'assurer que toutes les connexions et les raccords du système sont en bon état. Refaire tous joints et vérifier l'étanchéité des composants qui peuvent avoir une fuite.
- Il est recommandé de vérifier le fonctionnement de la soupape de sécurité en soulevant la manette en haut de la soupape pour permettre l'écoulement de l'eau; vérifier que cela ait effectivement lieu.

Pour assurer une efficacité maximale de la chaudière, il faut effectuer les vérifications suivantes une fois par an :

- vérifier l'apparence et l'étanchéité des joints du circuit de gaz et du circuit de combustion;
- vérifier l'état et la bonne position des électrodes d'allumage et de détection de flamme;
- vérifier l'état du brûleur et de sa fixation à la bride en aluminium;
- vérifier s'il y a de la saleté à l'intérieur de la chambre de combustion. Pour ce faire, utiliser un aspirateur;
- vérifier l'étalonnage de la soupape de gaz;
- vérifier qu'il n'y ait pas de saleté dans le bac à condensats;
- vérifier la pression du système de chauffage central;
- vérifier la pression du vase d'expansion;
- vérifier le système de ventilation et, le cas échéant, le nettoyer.

Enregistrer les détails de l'entretien dans la section « HISTORIQUE DE L'ENTRETIEN » à la dernière page du présente manuel.

### AVERTISSEMENT

**Avant toute opération d'entretien sur la chaudière, couper l'alimentation électrique et fermer le robinet d'alimentation en gaz de la chaudière. Attendre que la chaudière ait refroidi. Après l'entretien, vérifier toujours les fuites de gaz des composants où passe le gaz. Après l'entretien, vérifier le bon fonctionnement.**

## 18. REMPLACEMENT DE COMPOSANTS ET NETTOYAGE PÉRIODIQUE

La loi prévoit que toute opération d'entretien soit effectuée par un professionnel qualifié.

### AVERTISSEMENT

Avant de remplacer toute pièce de la chaudière, couper l'alimentation électrique et fermer le robinet d'alimentation en gaz de la chaudière. Attendre que la chaudière ait refroidi.  
Vérifier toujours s'il y a des fuites de gaz (par une épreuve d'étanchéité) après le remplacement de tout composant où passe le gaz ou après une intervention sur les raccords de gaz.  
Vérifier le fonctionnement de la chaudière (voir la section 16 : « FONCTIONNEMENT DE LA CHAUDIÈRE »). S'assurer que toutes les commandes sont rétablies à leurs réglages originaux.

#### NETTOYAGE DE LA CHAUDIÈRE

- Enlever tous les dépôts de l'échangeur thermique en utilisant une brosse douce adaptée. Ne pas utiliser de brosse métallique.
- Vérifier l'état des panneaux d'isolation de la chambre de combustion. Tous les panneaux endommagés doivent être remplacés.
- Vérifier l'état des injecteurs du brûleur sur le collecteur, les nettoyer soigneusement, utiliser une brosse douce, le cas échéant. Ne jamais utiliser de brosse métallique, cela pourrait endommager les injecteurs.
- Enlever tous les dépôts tombés au fond de l'appareil.
- Nettoyer le brûleur avec une brosse douce et vérifier que les bouches de sortie de flamme ne soient pas obstrués. Le cas échéant, utiliser une brosse plus dure pour enlever les obstructions.
- Vérifier l'état des électrodes.
- Vérifier la distance de l'étincelle, le positionnement et la hauteur des électrodes.
- Vérifier que le rotor du ventilateur soit propre et tourne librement.

#### 18.1 VIDANGE DE LA CHAUDIÈRE

Couper l'alimentation électrique et fermer le robinet du gaz de la chaudière (voir le chapitre 3 : « INFORMATIONS GÉNÉRALES SUR LA CHAUDIÈRE »). Attendre que la chaudière ait refroidi.

##### • Circuit de chauffage

Fermer les soupapes de débit de départ et de retour du chauffage (voir le chapitre 3 : « INFORMATIONS GÉNÉRALES SUR LA CHAUDIÈRE »).

Brancher un tuyau approprié au point de vidange et l'introduire dans un récipient approprié. Ouvrir le robinet de vidange.

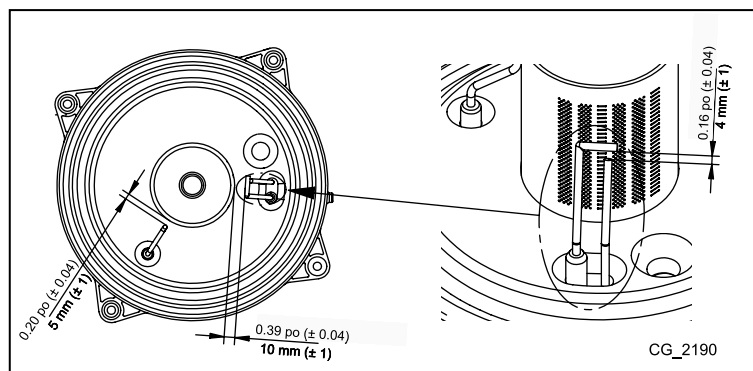
##### • Circuit d'eau chaude

Fermer la soupape d'admission d'eau froide (voir le chapitre 3 : « INFORMATIONS GÉNÉRALES SUR LA CHAUDIÈRE »). Ouvrir tous les robinets d'eau chaude placés en dessous du niveau de la chaudière de façon à assurer une évacuation la plus complète que possible.

##### Remarque :

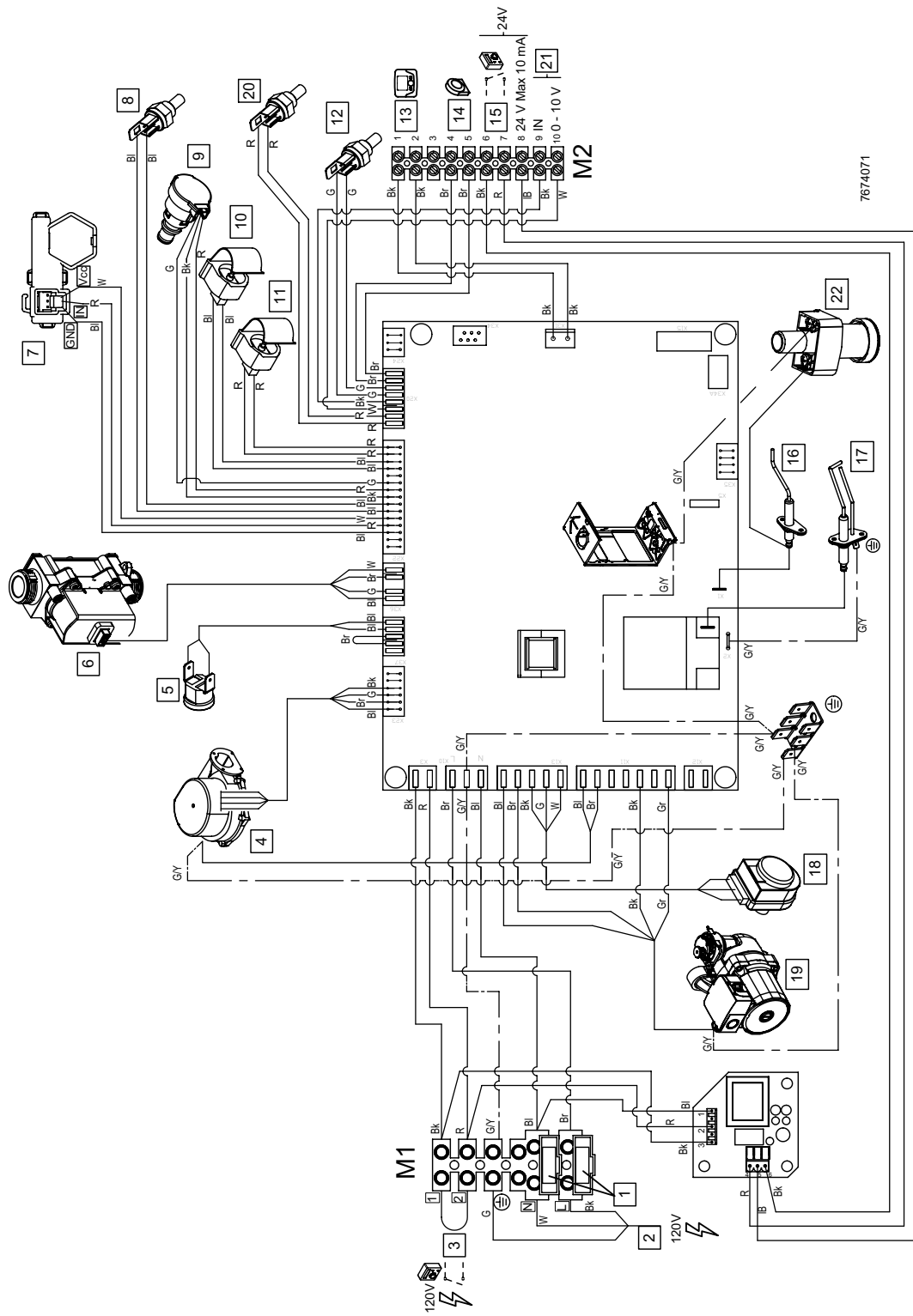
Un peu d'eau restera quand même dans les composants et il faut prendre soin lorsqu'on les enlève.

#### 18.2 ÉLECTRODES





## 20. SCHÉMAS DE CÂBLAGE



7674071

fr	
1	Fusibles
2	Alimentation électrique 120 V
3	Thermostat d'ambiance 120V (TA)
4	Ventilateur
5	Thermostat de surchauffe chauffage central
6	Vanne gaz
7	Capteur de priorité sanitaire
8	Sonde NTC fumées échangeur
9	Interrupteur de niveau d'eau bas
10	Sonde retour chauffage
11	Sonde départ chauffage
12	Sonde NTC sanitaire
13	Branchement accessoires
14	Sonde extérieure
15	Thermostat d'ambiance 24V (TA)
16	Électrode de détection de flamme
17	Électrode d'allumage
18	Vanne motorisée à trois voies
19	Pompe
20	Sonde NTC fumées
21	Joint 0 - 10V
22	Capteur de condensation
BI	Bleu
IB	Bleu Clair
Br	Marron
Bk	Noir
R	Rouge
G/Y	Jaune/Vert
G	Vert
W	Blanc
Gr	Gris
Y	Jaune
R.C.	Carte Relais





