

**BAXI**



# DUOTEC COMPACT

## SPARE PARTS CATALOGUE

- April 2018-



# HOW TO READ THE SPARE PARTS CATALOGUE

In the spare part catalogue, after the exploded diagrams, there are the components lists of the boilers; this is the meaning of the different columns:

Pos. Identification number of the component in the exploded diagram of the boiler.

Description Short description of the component.

Code BAXI S.p.A. code of the component.

Tab. XX XX is the exploded diagram number of the boiler taken into consideration.

From serial number Date (year and week) identifying the beginning of production of a component (taken from the serial number of the boiler).  
e.g. 1205: year 2012 (1 identifies the decade 2010-2019; 2 identifies the year) – 5th week.  
If the box is empty, the component is in use from the beginning of production of the boiler.

To serial number Date (year and week) identifying the end of production of a component (taken from the serial number of the boiler).  
e.g. 1235: year 2012 (1 identifies the decade 2010-2019; 2 identifies the year) – 35th week.  
If the box is empty, the component is still in use.

Interchangeable It identifies the interchangeability between the new component and the old one.  
YES: components are interchangeable.  
NO: components are not interchangeable.

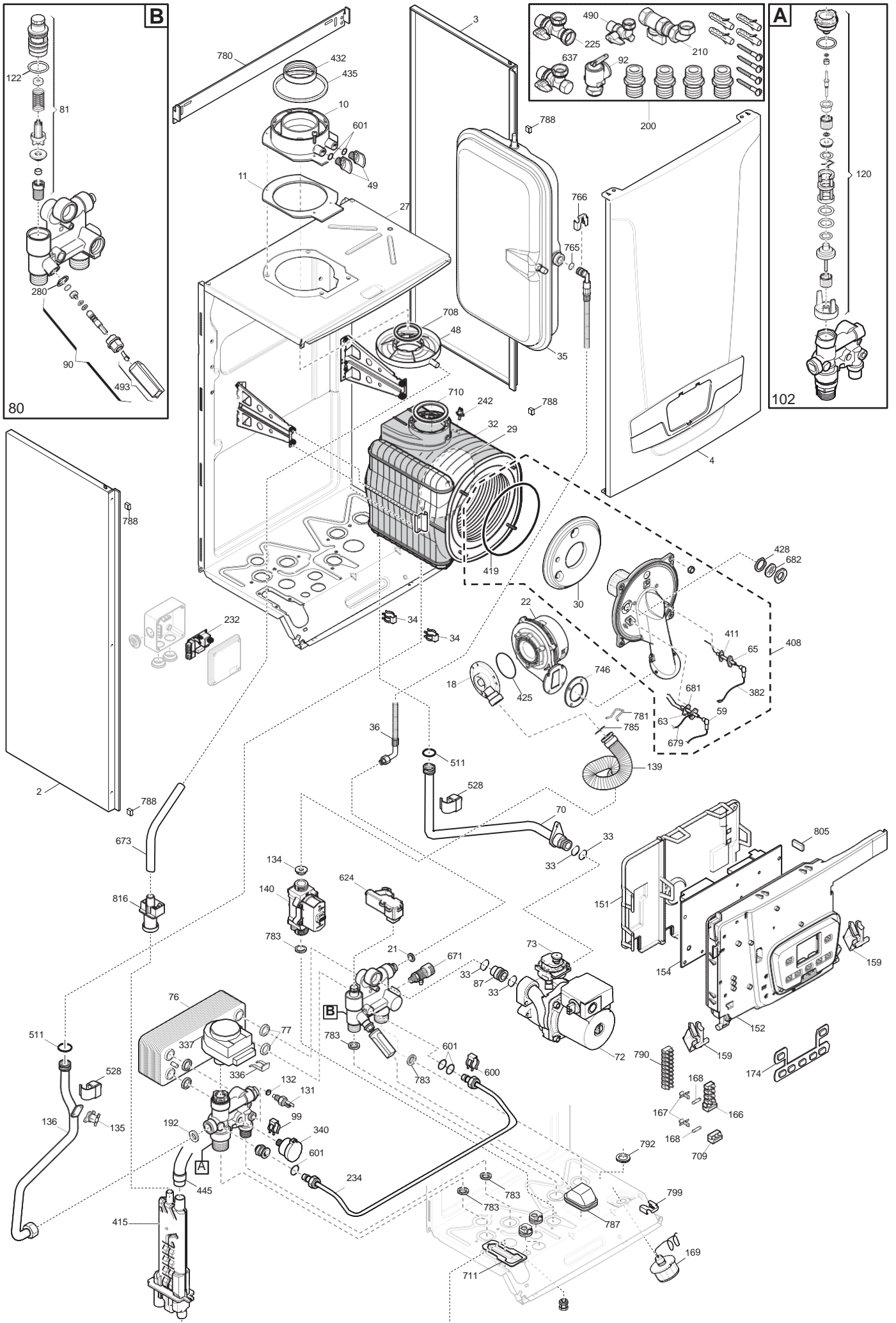
## TABELLA COLLEGAMENTO CODICE CALDAIA - ESPLOSO TABLEAU CONNECTION CODEX CHAUDIERE - VUE ECLATEE BOILERS CONNECTION BOARD - EXPLODED VIEW

<b>BOILER CODE</b>	<b>BOILER DESCRIPTION</b>	<b>EXPLODED REF.</b>
<b>CODICE CALDAIA</b>	<b>DESCRIZIONE CALDAIA</b>	<b>RIF. ESPLOSO</b>
<b>CODIGO CALDERA</b>	<b>DESCRIPCION CALDERA</b>	<b>REF. EXPLOSIONADO</b>
<b>CODE CHAUDIÈRE</b>	<b>DESCRIPTION CHAUDIÈRE</b>	<b>RÉF. EXPLOSÉE</b>
770534501	DUO-TEC COMPACT 30 GA N.A .	Tab 666









**Baxi N.A.**  
2201 Dwyer Ave  
Utica, NY 13501  
1-844-4 BAXINA  
[www.baxiboilers.com](http://www.baxiboilers.com)

7705616.01 (1-04/18)