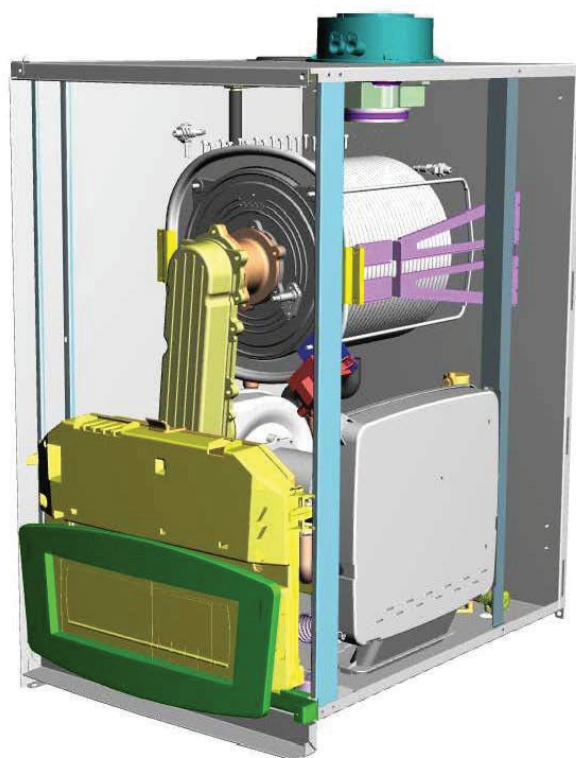


BAXI



Luna Duo-tec

SPARE PARTS CATALOGUE

NORTH AMERICAN MARKET

- April 2018 -

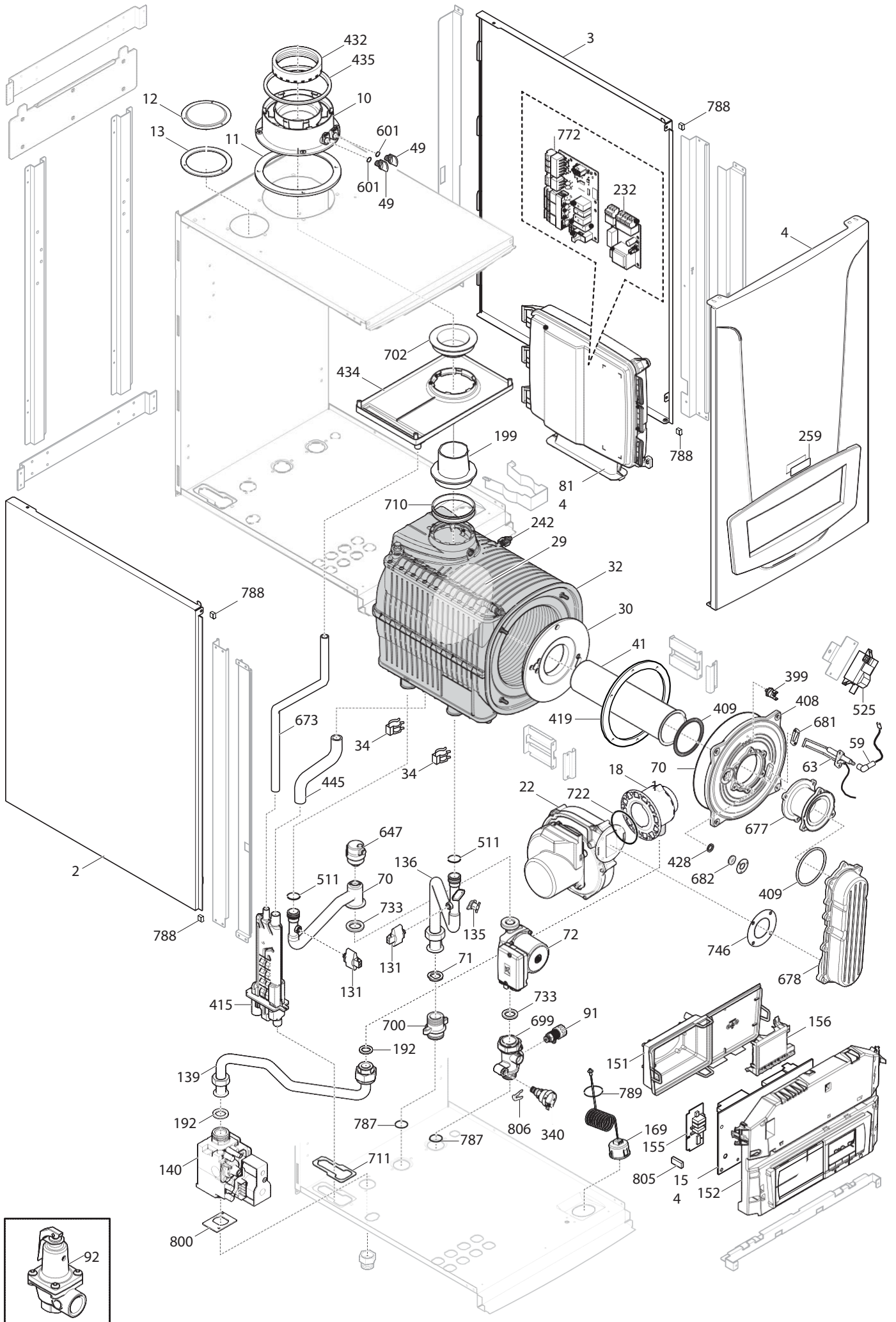
HOW TO READ THE SPARE PARTS CATALOGUE

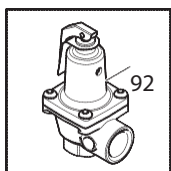
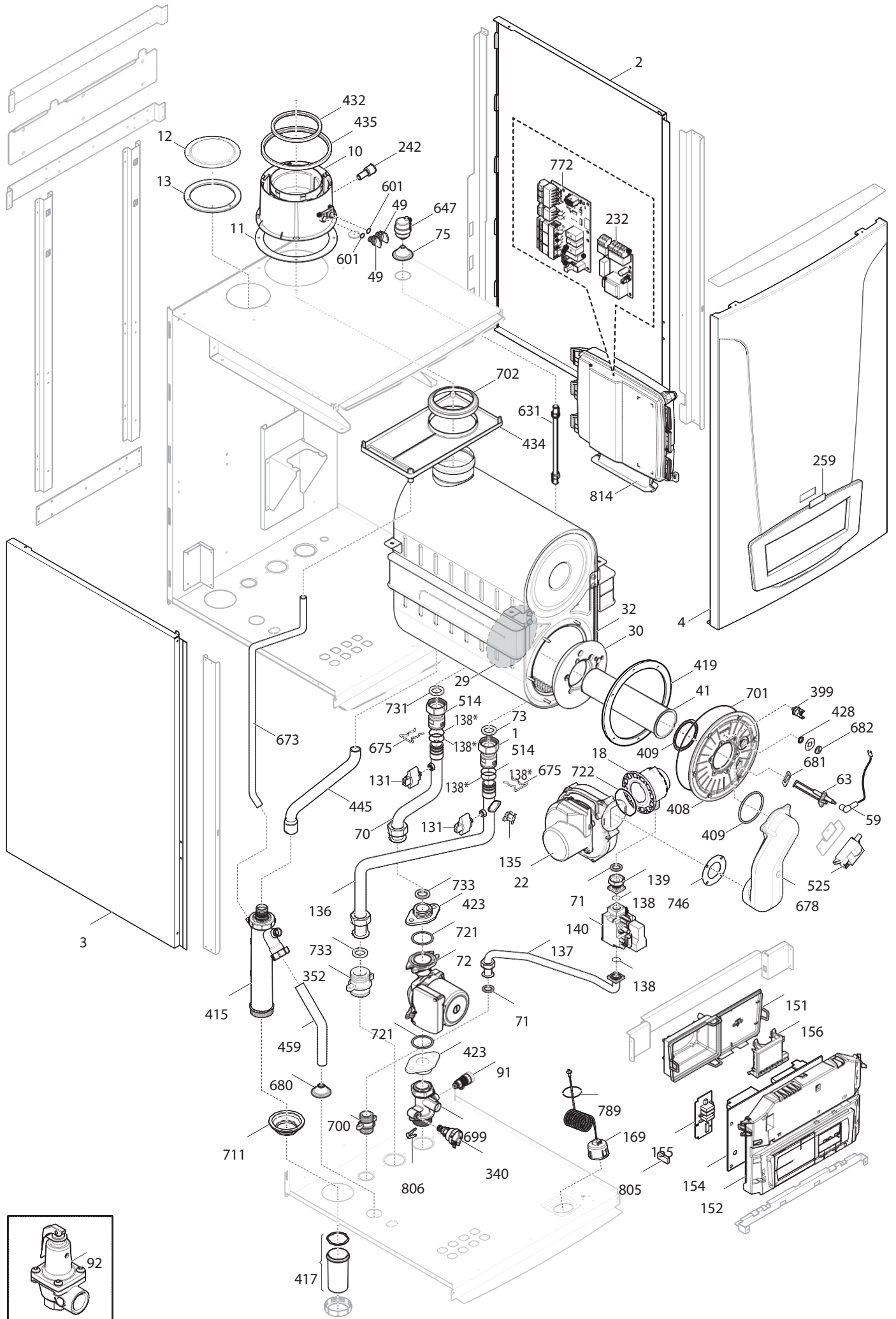
In the spare part catalogue, after the exploded diagrams, there are the components lists of the boilers; this is the meaning of the different columns:

Pos.	Identification number of the component in the exploded diagram of the boiler.
Description	Short description of the component.
Code	BAXI S.p.A. code of the component.
Tab. XX	XX is the exploded diagram number of the boiler taken into consideration.
From serial number	Date (year and week) identifying the beginning of production of a component (taken from the serial number of the boiler). e.g. 1201: year 2012 (1 identifies the decade 2010-2019; 2 identifies the year) – 01th week. If the box is empty, the component is in use from the beginning of production of the boiler.
To serial number	Date (year and week) identifying the end of production of a component (taken from the serial number of the boiler). e.g. 1225: year 2012 (1 identifies the decade 2010-2019; 2 identifies the year) – 25th week. If the box is empty, the component is still in use.
Interchangeable	It identifies the interchangeability between the new component and the old one. YES: components are interchangeable. NO: components are not interchangeable.

TABELLA COLLEGAMENTO CODICE CALDAIA - ESPLOSO TABLEAU CONNECTION CODEX CHAUDIERE - VUE ECLATEE BOILERS CONNECTION BOARD - EXPLODED VIEW

BOILER CODE	BOILER DESCRIPTION	EXPLODED REF.
CODICE CALDAIA	DESCRIZIONE CALDAIA	RIF. ESPLOSO
CODIGO CALDERA	DESCRIPCION CALDERA	REF. EXPLOSIONADO
CODE CHAUDIÈRE	DESCRIPTION CHAUDIÈRE	RÉF. EXPLOSÉE
770534701	LUNA DUO-TEC 1.110 N.A.	Tab 607
770534601	LUNA DUO-TEC 1.70 N.A.	Tab 606





Baxi N.A.

2201 Dwyer Ave

Utica, NY 13501

1-844-4 BAXINA

www.baxiboilers.com