

BAXI

DuoTec 1.70 MP/1.110 MP Spare Parts Catalog Effective July 15, 2018



HOW TO READ THE SPARE PARTS CATALOGUE

In the spare part catalogue, after the exploded diagrams, there are the components lists of the boilers; this is the meaning of the different columns:

Pos. Identification number of the component in the exploded diagram of the boiler.

Description Short description of the component.

Code BAXI S.p.A. code of the component.

Tab. XX XX is the exploded diagram number of the boiler taken into consideration.

Boiler Code






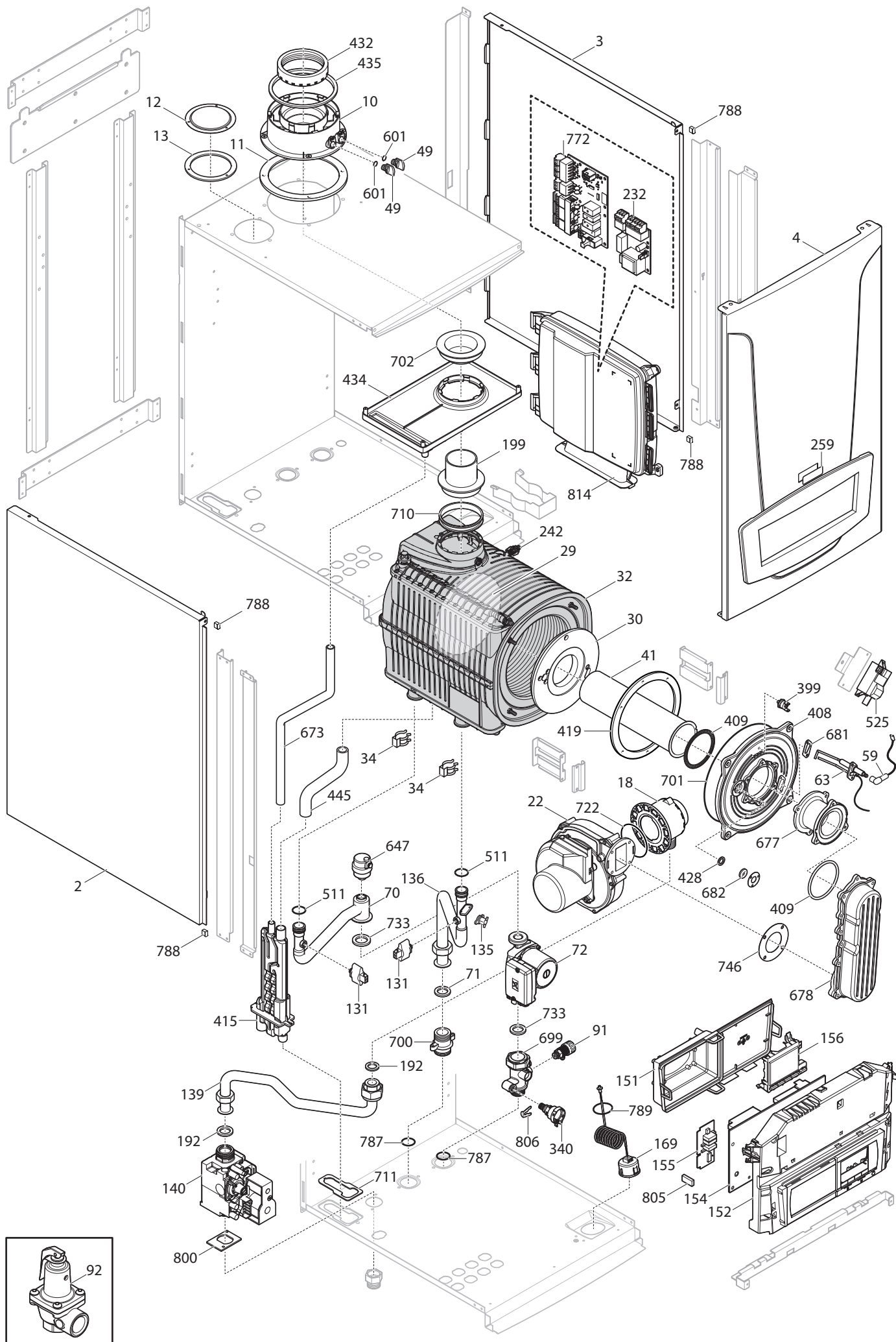
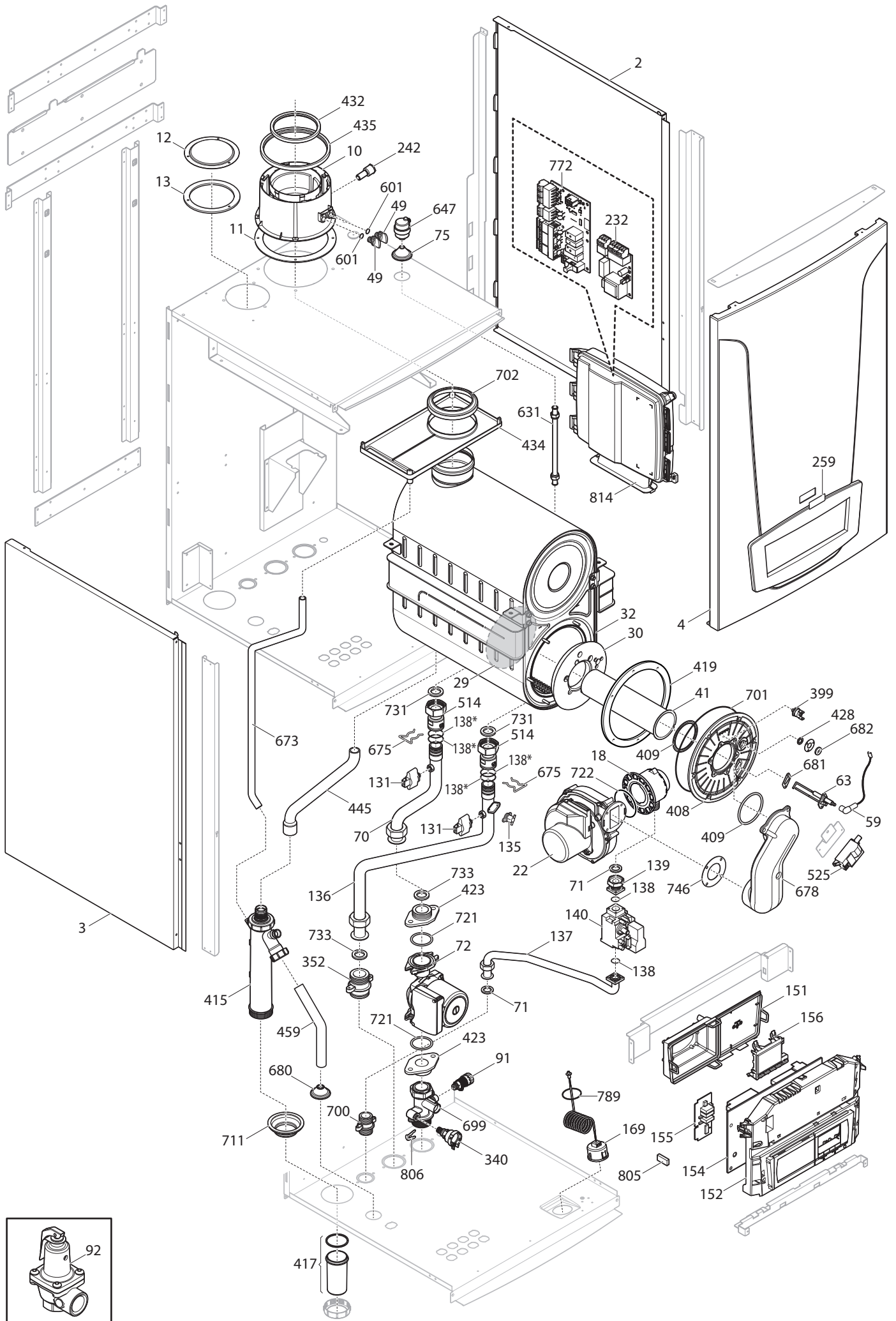
Mod. LUNA DUO-TEC 40 GA SERIAL N° 172603337		Combination boiler Chaudière à deux services		 711080804	 172603337	7110807.04
DIRECT VENT BOILER / CHAUDIERE A EVENT DIRECT				  		
Min input rate / débit thermique	21,838 Btu/h			BAXI S.p.A. Via Trozzetti 20 36061 Bassano del Grappa Vicenza, Italy CSA "Master contract number 188786"		
Min output rate / puissance thermique	19,108 Btu/h					
Max CH pressure / pression chauffage	30 p.s.i					
Max DHW pressure / pression eau sanitaire	116 p.s.i					
Type of gas / Type de gaz	Nat(A) LP(E)			ANSI Z21.13-2014/CSA 4.9-2014 For use with NATURAL gas only supply pressure: Appareil réglé à gaz NATUREL pression d'alimentation du gaz: 7 " w.c. ± 1.2 " w.c. / 1.74 kPa ± 0.3 kPa		
Nominal inlet gas pressure/pression alim. gaz	7 in w.c. 11 in w.c.					
Electrical supply / alimentation électrique	120V;~60Hz; 1.40A					
Installation	0÷2000 Ft					
Max heat input / débit thermique	152,864 Btu/h					
Max heat output / puissance thermique	136,486 Btu/h					
Installation	2000÷4500 Ft					
Max heat input / débit thermique	145,698 Btu/h					
Max heat output / puissance thermique	130,003 Btu/h					
This boiler is equipped with: A pressure relief valve setting a 30 psi A temperature limiting device setting a 221°F		Cette chaudière est équipée avec: Une vanne réductrice de pression tarée à 30 psi Un dispositif limiteur de température étalonné à 221°F		MADE IN ITALY		

TABELLA COLLEGAMENTO CODICE CALDAIA - ESPLOSO TABLEAU CONNECTION CODEX CHAUDIERE - VUE ECLATEE BOILERS CONNECTION BOARD - EXPLODED VIEW

BOILER CODE	BOILER DESCRIPTION	EXPLODED REF.
CODICE CALDAIA	DESCRIZIONE CALDAIA	RIF. ESPLOSO
CODIGO CALDERA	DESCRIPCION CALDERA	REF. EXPLOSIONADO
CODE CHAUDIÈRE	DESCRIPTION CHAUDIÈRE	RÉF. EXPLOSÉE
721536401	LUNA DUO-TEC 1.110 CANADA	Tab 607
721452602	LUNA DUO-TEC 1.70 CANADA	Tab 606
721452601	LUNA DUO-TEC 1.70 CANADA	Tab 606





Luna Duo-Tec 1.70; 1.110



Pos	Baxi Part #	Description	Boiler Codes			Baxi NA Trade Pricing
			721452601 1.70	721452602 1.70	721536401 1.110	
			Tab 606		Tab 607	
2	BD721707700	LEFT PANEL			•	Consult Factory
2	BD721716700	LEFT PANEL	•	•		Consult Factory
3	BD721707600	RIGHT PANEL			•	Consult Factory
3	BD721716600	RIGHT PANEL	•	•		Consult Factory
4	BD764905400	FRONT PANEL	•	•		Consult Factory
4	BD764905500	FRONT PANEL			•	Consult Factory
10	BD5670520	FLUE CONNECTION ASS. 80/120	•	•		Consult Factory
10	BD710722100	FLUE CONNECTION ASS.D.100/160			•	\$32.00
11	BD5410710	GASKET ADAPTOR	•	•		\$2.00
11	BD710450600	GASKET FLUE LUNA4 HT			•	\$2.00
12	BD5108690	PLATE BLANKING	•	•		\$2.00
12	BD5116110	PLATE BLANKING 110			•	Consult Factory
13	BD5412420	GASKET - BLANKING PLATE 110			•	Consult Factory
13	BD710784800	SUCTION CAP GASKET	•	•		\$2.00
18	BD710402200	MIXER BIG BICLAP D.30mm	•	•		\$95.00
18	BD710719000	KIT GPL DUO-TEC MP 110			•	\$119.00
18	BD722591600	MIXER 1.110 CANADA			•	\$90.00
18	BD766389600	KIT GPL DUO-TEC 70	•	•		\$129.00
22	BD3624430	FAN RG148/1200 CANADA			•	Consult Factory
22	BD722358700	FAN 250W 120V 60 HZ	•	•		\$704.00
29	BD710283600	COMBUSTION CHAMBER REAR INSUL.	•	•		\$24.00
29	BD711465600	REAR INSULAT. 180x16 ASSEMBLY			•	Consult Factory
30	BD721924300	FRONTAL INSULATING PANEL			•	\$21.00
30	BD721984600	FRONTAL INSULATING PANEL	•	•		\$14.00

All pricing shown at list price and subject to change. Call 1-844-422-9462 for any pricing not listed.

Luna Duo-Tec 1.70; 1.110



Pos	Baxi Part #	Description	Boiler Codes			Baxi NA Trade Pricing
			721452601 1.70	721452602 1.70	721536401 1.110	
			Tab 606		Tab 607	
32	BD3626880	EXCHANGER DUOZ 100kW			•	Consult Factory
32	BD711163600	HEAT EXCHANGER ISOTHERMIC	•	•		\$1,699.00
34	BD721623500	EXCHANGER CLIP	•	•		\$2.00
41	BD710401900	BURNER 65 Kw	•	•		\$52.00
41	BD710461000	BURNER 100 Kw			•	\$284.00
49	BD5409280	TAP ADAPTOR			•	\$2.00
49	BD5410880	FLUE TEST CAP	•	•		Consult Factory
59	BD7219211	CABLE ELECTRODE IGNITION	•	•	•	\$8.00
63	BD710220000	ELECTRODE - IGNITION	•	•	•	\$20.00
70	BD722235400	RETURN PIPE ASSY			•	Consult Factory
70	BD722270000	RETURN PIPE ASSY	•	•		Consult Factory
71	BD3402290	GASKET G1			•	\$2.00
71	BD5405000	SEALING WASHER - G1	•	•		\$2.00
72	BD722224000	PUMP UP 26-96 F			•	\$548.00
72	BD722354800	PUMP UPER 25-78 115V 60 HZ	•	•		\$244.00
75	BD5409240	GROMMET - PIPE ASSY D.10			•	\$2.00
91	BD5652030	DRAINING TAP	•	•	•	\$10.00
92	BD721851900	SAFETY VALVE 50 PSI CANADA	•	•	•	\$87.00
131	BD722601800	NTC SENSOR	•	•	•	\$6.00
135	BD9950760	THERMOSTAT - LIMIT	•	•	•	\$21.00
136	BD711178700	FLOW PIPE	•	•		Consult Factory
136	BD722220300	FLOW PIPE			•	Consult Factory
137	BD721709300	GAS PIPE			•	Consult Factory
138*	BD5400400	O-RING 28,24X2,62			•	Consult Factory

All pricing shown at list price and subject to change. Call 1-844-422-9462 for any pricing not listed.

Luna Duo-Tec 1.70; 1.110



Pos	Baxi Part #	Description	Boiler Codes			Baxi NA Trade Pricing
			721452601 1.70	721452602 1.70	721536401 1.110	
			Tab 606	Tab 607		
138	BD5402010	O RING 22.22x2.62			•	\$2.00
139	BD711178600	PIPE GAS VALVE/MIXER	•	•		\$48.00
139	BD722406400	PIPE GAS VALVE/MIXER			•	\$65.00
140	BD5676670	GAS VALVE SIT SIGMA 848			•	\$53.00
140	BD721613000	GAS VALVE SIT 848 120V-60HZ	•	•		\$53.00
151	BD765517800	CONTROL PANEL COVER	•	•	•	Consult Factory
152	BD765517500	CONTROL PANEL	•	•	•	Consult Factory
154	BD765553600	PCB PCU-04	•	•	•	\$212.00
155	BD765553700	SAFETY PCB	•	•	•	\$60.00
156	BD765517600	PCB DISPLAY	•	•	•	Consult Factory
169	BD710547500	MANOMETER 0-4BAR L=1000	•	•	•	\$12.00
192	BD5404650	SEALING WASHER G 3/4	•	•		\$2.00
199	BD711179800	JOINT EXCHANGER/DISCHARGE DUCT D	•			Consult Factory
199	BD767700600	JOINT EXCHANGER/DISCHARGE DUCT D		•		Consult Factory
232	BD764997600	PCB INTERFACE	•	•	•	\$137.00
242	BD710682400	NTC SENSOR			•	\$10.00
242	BD711180100	NTC SENSOR	•	•		\$26.00
259	BD710419300	BRAND BAXI	•	•	•	Consult Factory
340	BD710109100	PRESSURE SENSOR	•	•	•	\$26.00
352	BD721700200	NIPPLES G1-1/2"			•	Consult Factory
399	BD711427700	SAFETY THERMOSTAT 260°C	•	•	•	\$7.00
408	BD721903500	COMB.CHAMBER UPPER COVER			•	Consult Factory
408	BD721962600	COMB.CHAMBER UPPER COVER	•	•		Consult Factory
409	BD710624300	BURNER GASKET HT			•	Consult Factory

All pricing shown at list price and subject to change. Call 1-844-422-9462 for any pricing not listed.

Luna Duo-Tec 1.70; 1.110



Pos	Baxi Part #	Description	Boiler Codes			Baxi NA Trade Pricing
			721452601 1.70	721452602 1.70	721536401 1.110	
			Tab 606	Tab 607		
409	BD721543100	BURNER GASKET ASS.	•	•		\$8.00
415	BD721547200	2 WAY SIPHON H=240mm			•	\$53.00
415	BD765806400	SIPHON BODY H220	•	•		\$23.00
417	BD722112400	SIPHON PLUG ASS.			•	Consult Factory
419	BD711405000	COMBUSTION CHAMBER GASKET			•	\$7.00
419	BD722003800	COMBUSTION CHAMBER GASKET	•	•		\$18.00
423	BD722233400	PUMP FLANGE			•	Consult Factory
428	BD5409290	GASKET	•	•	•	\$2.00
432	BD5410850	FLUE SPIGOT GASKET	•	•		Consult Factory
432	BD710381300	GASKET FOR PIPE D.110			•	\$3.00
434	BD710373400	CONDENSY COLL.LUNA4 HT 85-100			•	\$9.00
434	BD711179600	CONDENSATE TRAY	•			Consult Factory
434	BD767700400	CONDENSATE TRAY		•		Consult Factory
435	BD5410860	AIR IN TAKE GASKET D.215	•	•		Consult Factory
435	BD710381000	GASKET FOR PIPE D.160			•	\$4.00
445	BD721548800	PIPE EXCH/SIPHON LUNA4 HT100kW			•	\$10.00
445	BD721622200	PIPE EXCHANGER/SIPHON	•	•		\$11.00
459	BD721705200	DISCHARGE PIPE SIPHON			•	\$7.00
511	BD5411330	OR 20,24X2,62 EPDM	•	•		Consult Factory
514	BD710372400	JOINT EXCH.DUOZ FOR PIPE D.28			•	\$18.00
525	BD764905800	IGNITER 115V	•	•	•	\$22.00
601	BD5408560	O-RING 8,73x1,78	•	•		\$2.00
601	BD710107800	O-RING 8,73x1,78			•	Consult Factory
631	BD710411900	PIPE DEAREATION LUNA4 HT 100kW			•	\$7.00

All pricing shown at list price and subject to change. Call 1-844-422-9462 for any pricing not listed.

Luna Duo-Tec 1.70; 1.110



Pos	Baxi Part #	Description	Boiler Codes			Baxi NA Trade Pricing
			721452601 1.70	721452602 1.70	721536401 1.110	
			Tab 606	Tab 607		
647	BD5652730	AUTO AIR VENT	•	•	•	\$11.00
673	BD721632600	CONDENSY PIPE/SIPHON	•	•		\$16.00
673	BD721708300	CONDENSY/SIPHON PIPE			•	\$10.00
675	BD5116120	PRIMARY EXCHANGER FIXING CLIPS			•	Consult Factory
677	BD5212920	EXTENTION 4 EL.	•	•		Consult Factory
678	BD710386000	AIR GAS COLLECTOR LUNA4 HT			•	\$72.00
678	BD711187500	AIR GAS COLLECTOR	•	•		\$29.00
680	BD5409250	GROMMET-PIPE ASSY. D.15			•	Consult Factory
681	BD710185300	IGNITION ELECTRODE GASKET	•	•	•	\$2.00
682	BD5211800	SIGHT GLASS	•	•	•	Consult Factory
699	BD711238100	INLET ELEMENT G1	•	•		\$37.00
699	BD721700300	INLET ELEMENT G1-1/2" NPT			•	\$46.00
700	BD711237000	NIPPLE G1"MM WITH SCREWS	•	•	•	Consult Factory
701	BD5212780	GASKET D.6	•	•	•	Consult Factory
702	BD710373100	CONDENSATE TRAY GASKET			•	\$3.00
702	BD711188000	CONDENSATE TRAP GASKET	•			Consult Factory
702	BD767700500	CONDENSATE TRAP GASKET		•		Consult Factory
710	BD5411030	GASKET	•	•		Consult Factory
711	BD710440000	GASKET SIPHON LUNA4 HT1.90/110			•	\$9.00
711	BD721696400	SIPHON GASKET	•	•		\$2.00
721	BD722323300	PUMP GASKET			•	\$2.00
722	BD3402100	O-RING 70X3	•	•	•	Consult Factory
731	BD3402200	GASKET 32X39X2			•	\$2.00
733	BD5402140	GASKET G1 1/2 WRC	•	•	•	Consult Factory

All pricing shown at list price and subject to change. Call 1-844-422-9462 for any pricing not listed.

Luna Duo-Tec 1.70; 1.110



Pos	Baxi Part #	Description	Boiler Codes			Baxi NA Trade Pricing
			721452601 1.70	721452602 1.70	721536401 1.110	
			Tab 606	Tab 607		
746	BD5410900	VENTURI GASKET	•	•	•	\$3.00
772	BD764989600	PCB SCU-S02	•	•	•	\$122.00
787	BD710397800	GASKET G1"C.S.31X42X3	•	•		\$2.00
788	BD710176000	COMBUSTION CHAMBER GASKET C	•	•		\$2.00
789	BD710017200	GASKET MANOMETER	•	•	•	\$2.00
800	BD710390600	GASKET GAS VALVE M-M	•	•		\$2.00
805	BD765553800	CONFIGURATION KEY	•	•	•	\$24.00
806	BD710110600	CLIP d.10 BITRON	•	•	•	\$2.00
814	BD764986900	SECONDARY ELECTRIC BOX	•	•	•	Consult Factory
999	BD711217400	TH WIRING DUOZ EX.			•	\$7.00
999	BD721796800	FAN WIRING	•	•	•	\$10.00
999	BD721804700	IGNITOR WIRING	•	•	•	\$11.00
999	BD721807000	GAS VALVE WIRING	•	•	•	\$11.00
999	BD721807500	POWER SUPPLY PUMP WIRING	•	•		\$13.00
999	BD721808400	SAFETY TH/FAN WIRING	•	•		\$21.00
999	BD721814100	SENSORS WIRING	•	•		\$25.00
999	BD721838500	SAFETY TH/FAN WIRING			•	\$19.00
999	BD721935400	SENSORS WIRING			•	\$27.00
999	BD722266400	CONTROL BOX/PCB SCU CONNECTING	•	•	•	\$13.00
999	BD722267400	SECONDARY ELECTRIC BOX POWER WI	•	•	•	\$13.00
999	BD722410200	POWER SUPPLY PUMP UP26-96F WIRING			•	\$11.00
999	BD722577700	PCB POWER WIRING SECONDARY BOX	•	•	•	\$8.00
999	BD722577800	POWER SUPPLY WIRING	•	•	•	\$15.00
999	BD765517700	PCB/SWITCH WIRING	•	•		Consult Factory

All pricing shown at list price and subject to change. Call 1-844-422-9462 for any pricing not listed.

BAXI

PO Box 4729
Utica, NY 13504
www.baxiboilers.com

All specifications subject to change without notice.
© 2018 Baxi N.A.
PN 240012357 [7/15/18]