

# BAXI

## DuoTec 40 GA/1.33 GA Spare Parts Catalog Effective July 15, 2018




# HOW TO READ THE SPARE PARTS CATALOGUE

In the spare part catalogue, after the exploded diagrams, there are the components lists of the boilers; this is the meaning of the different columns:

- Pos. Identification number of the component in the exploded diagram of the boiler.
- Description Short description of the component.
- Code BAXI S.p.A. code of the component.
- Tab. XX XX is the exploded diagram number of the boiler taken into consideration.

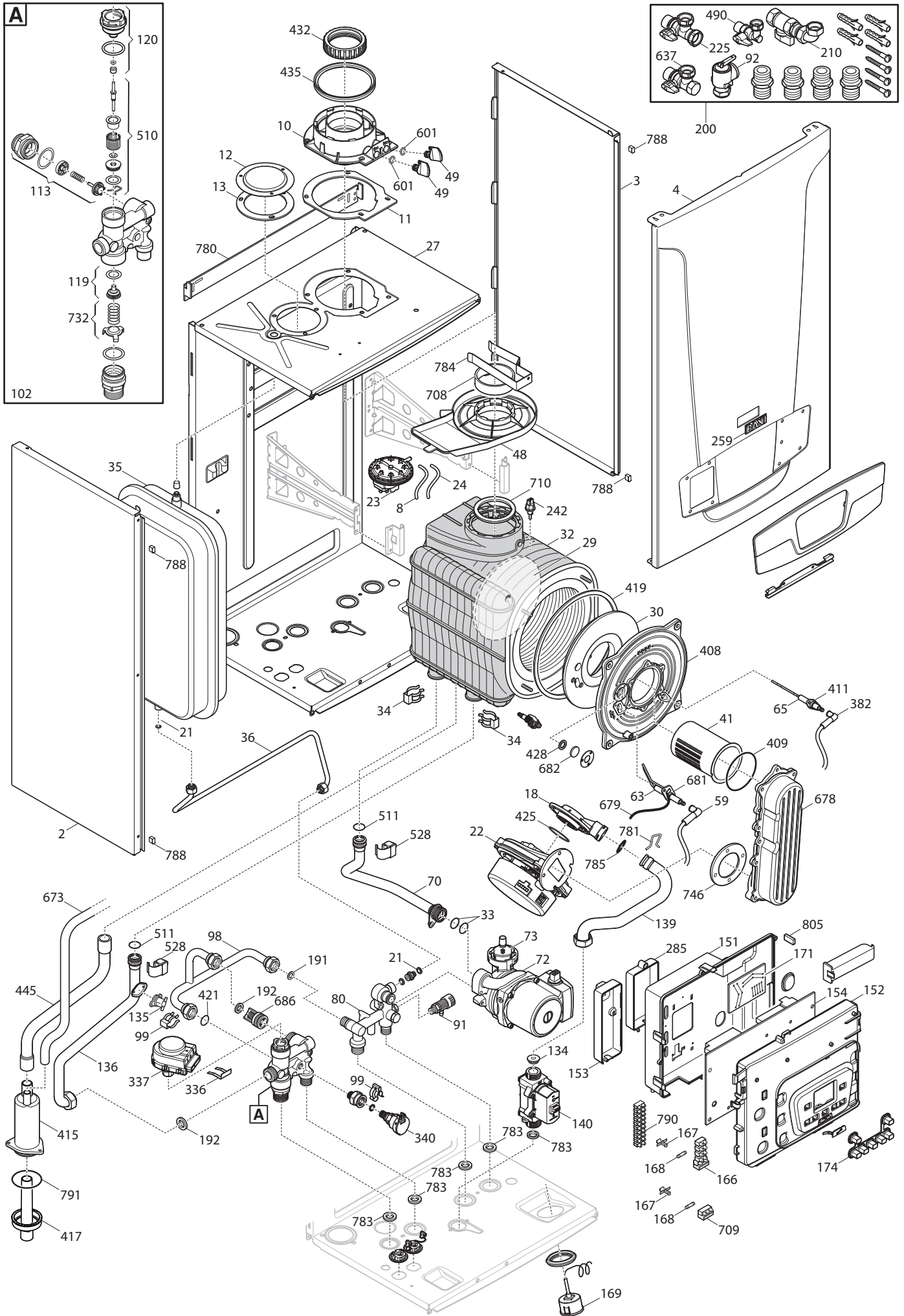
## Boiler Code

<b>Mod. LUNA DUO-TEC 40 GA</b> <b>SERIAL N° 172603337</b>		<b>Boiler Code</b>  711080804		 172603337		7110807.04				
<b>Combination boiler</b> <b>Chaudière à deux services</b> <b>DIRECT VENT BOILER / CHAUDIERE A EVENT DIRECT</b>		 711080804		 172603337		7110807.04				
Min input rate / débit thermique Min output rate / puissance thermique Max CH pressure / pression chauffage Max DHW pressure / pression eau sanitaire Type of gas / Type de gaz Nominal inlet gas pressure/pression alim. gaz Electrical supply / alimentation électrique	21,838 Btu/h 19,108 Btu/h 30 p.s.i 116 p.s.i <table border="1"> <tr> <td>Nat(A)</td> <td>LP(E)</td> </tr> <tr> <td>7 in w.c.</td> <td>11 in w.c.</td> </tr> </table> 120V;~60Hz; 1.40A	Nat(A)	LP(E)	7 in w.c.	11 in w.c.	<b>BAXI S.p.A.</b> Via Trozzetti 20 36061 Bassano del Grappa Vicenza, Italy		<b>CSA</b> <b>"Master contract number 188786"</b>		7110807.04
Nat(A)	LP(E)									
7 in w.c.	11 in w.c.									
<b>Installation</b> Max heat input / débit thermique Max heat output / puissance thermique	0÷2000 Ft 152,864 Btu/h 136,486 Btu/h	<b>MADE IN ITALY</b>		ANSI Z21.13-2014/CSA 4.9-2014 For use with NATURAL gas only supply pressure: Appareil réglé à gaz NATUREL pression d'alimentation du gaz: <b>7 " w.c. ± 1.2 " w.c. / 1.74 kPa ± 0.3 kPa</b>		7110807.04				
This boiler is equipped with: A pressure relief valve setting a 30 psi A temperature limiting device setting a 221°F	Cette chaudière est équipée avec: Une vanne réductrice de pression tarée à 30 psi Un dispositif limiteur de température étallonné à 221°F					7110807.04				

## TABELLA COLLEGAMENTO CODICE CALDAIA - ESPLOSO TABLEAU CONNECTION CODEX CHAUDIERE - VUE ECLATEE BOILERS CONNECTION BOARD - EXPLODED VIEW

BOILER CODE	BOILER DESCRIPTION	EXPLODED REF.
CODICE CALDAIA	DESCRIZIONE CALDAIA	RIF. ESPLOSO
CODIGO CALDERA	DESCRIPCION CALDERA	REF. EXPLOSIONADO
CODE CHAUDIERE	DESCRIPTION CHAUDIERE	RÉF. EXPLOSÉE
711080803	LUNA DUO-TEC 40 GA CANADA	Tab 498
711080902	LUNA DUO-TEC 1.33 GA CANADA	Tab 499
711080901	LUNA DUO-TEC 1.33 GA CANADA	Tab 499
711080802	LUNA DUO-TEC 40 GA CANADA	Tab 498
711080801	LUNA DUO-TEC 40 GA CANADA	Tab 498





**40GA; 1.33 GA****BAXI**

Pos	Baxi Part #	Description	Boiler Codes					Baxi NA Trade Price
			711080801 40 GA	711080802 40 GA	711080803 711080804 40 GA	711080901 1.33 GA	711080902 1.33 GA	
			<b>Tab 498</b>			<b>Tab 499</b>		
2	<b>BD710066300</b>	LEFT PANEL ASSEMBLY	•	•	•	•	•	Consult Factory
3	<b>BD710066200</b>	RIGHT PANEL ASSEMBLY	•	•	•	•	•	Consult Factory
4	<b>BD710194800</b>	FRONT PANEL ASSEMBLY	•	•	•	•	•	Consult Factory
8	<b>BD5408080</b>	PRESSURE SWITCH PIPE L=270	•	•	•	•	•	Consult Factory
10	<b>BD711085100</b>	FLUE CONNECTION 60/100	•	•	•	•	•	\$10.00
11	<b>BD5409010</b>	GASKET ADAPTOR	•	•	•	•	•	Consult Factory
12	<b>BD5108690</b>	PLATE BLANKING	•	•	•	•	•	\$2.00
13	<b>BD5407400</b>	SUCTION CAP GASKET	•	•	•	•	•	\$2.00
18	<b>BD710458100</b>	MIXER PL30 C1500107	•	•	•	•	•	Consult Factory
21	<b>BD5402050</b>	WASHER-SEALING	•	•	•	•	•	\$2.00
22	<b>BD711073900</b>	FAN NRG 118 CANADA	•	•	•	•	•	\$287.00
23	<b>BD619630</b>	FLUE PRESSURE SWITCH 400-350Pa	•	•	•	•	•	\$34.00
24	<b>BD5414320</b>	PIPE-VALVE COMPENS.4,5x8 L=170	•	•	•	•	•	Consult Factory
27	<b>BD632310</b>	C FRAME CANADA BIT. WITH CAP		•	•			\$36.00
27	<b>BD632320</b>	C FRAME MONO CANADA WITH CAP					•	Consult Factory
27	<b>BD711085400</b>	C FRAME CANADA	•					Consult Factory
27	<b>BD711175300</b>	C FRAME MONO. CANADA				•		Consult Factory
29	<b>BD710283700</b>	DEFLECTOR INSULATION SPARE	•	•	•	•	•	\$45.00
30	<b>BD5411020</b>	INSULATION PANEL	•	•	•	•	•	\$23.00
32	<b>BD711071500</b>	HEAT EXCHANGER BASIC 6E CAN.	•			•		Consult Factory
32	<b>BD711447000</b>	HEAT EXCHANGER BASIC 6E CAN.		•	•		•	\$1,604.00
33	<b>BD710963000</b>	OR 21,5X3 EP70 TFL	•	•	•	•	•	\$2.00
34	<b>BD711260500</b>	CLIP EXCHANGER	•			•		Consult Factory
34	<b>BD711449800</b>	EXCHANGER CLIP		•	•		•	Consult Factory
35	<b>BD710022400</b>	EXPANSION VASSEL 10L	•	•	•	•	•	\$100.00
36	<b>BD710157400</b>	EXPANSION VESSEL PIPE	•	•	•	•	•	Consult Factory
41	<b>BD710448100</b>	BURNER PX968a	•	•	•	•	•	Consult Factory
41	<b>BD711570600</b>	BURNER/FLANGE 6E ASS.	•	•	•	•	•	Consult Factory

All pricing shown at list price and subject to change. Call 1-844-422-9462 for any pricing not listed.

**40GA; 1.33 GA****BAXI**

Pos	Baxi Part #	Description	Boiler Codes					Baxi NA Trade Price
			711080801 40 GA	711080802 40 GA	711080803 711080804 40 GA	711080901 1.33 GA	711080902 1.33 GA	
			<b>Tab 498</b>			<b>Tab 499</b>		
48	<b>BD710282300</b>	CONDENSING WATER TRAY 80/60 IT	•	•	•	•	•	Consult Factory
49	<b>BD5409280</b>	TAP ADAPTOR	•	•	•	•	•	\$2.00
59	<b>BD711250600</b>	IGNITION ELECTRODE CABLE CAN.	•	•	•	•	•	\$16.00
63	<b>BD710220000</b>	ELECTRODE - IGNITION	•	•	•	•	•	\$20.00
65	<b>BD710424200</b>	FLAME SENSOR B&P	•	•	•	•	•	\$16.00
70	<b>BD711062400</b>	PUMP/EXCHANGER PIPE ASSY	•			•		Consult Factory
70	<b>BD711425800</b>	PUMP/EXCHANGER PIPE ASSY		•	•		•	\$22.00
72	<b>BD710786500</b>	PUMP UPR 15-58 2VEL L4 120V	•	•	•	•	•	\$166.00
73	<b>BD710493600</b>	AIR VENT PUMP GR.	•	•	•	•	•	\$28.00
76	<b>BD5689930</b>	EXCHANGER 20 PLATE TO PLATE	•	•				\$182.00
76	<b>BD711613200</b>	DHW PLATE EXCHANGER 20 PLATES			•			Consult Factory
77	<b>BD5404520</b>	DHW PLATE EXCHANGER GASKET	•	•				\$2.00
77	<b>BD711613500</b>	DHW PLATE EXCHANGER OR			•			\$2.00
80	<b>BD710266700</b>	RETURN/FILLING TAP ASSY SYSTEM				•	•	Consult Factory
80	<b>BD711189300</b>	HYDRAULIC INLET ASS. 14L	•	•				\$122.00
80	<b>BD711607100</b>	HYDRAULIC INLET ASS. 14L			•			\$122.00
81	<b>BD632130</b>	FILTER ASSEMBLY ADAPTER 14L	•	•				Consult Factory
81	<b>BD711633600</b>	FILTER ASSEMBLY ADAPTER 14L			•			\$36.00
81	<b>BD711633600</b>	FILTER ASSEMBLY ADAPTER 14L	•	•				\$36.00
87	<b>BD710185800</b>	PUMP CONNECTING ELEMENT WILO	•	•				\$4.00
87	<b>BD711652200</b>	PUMP CONNECTING ELEMENT/OR GRUN			•			Consult Factory
90	<b>BD620890</b>	FILLING GR.WITH TURBINE 120074	•	•	•			Consult Factory
91	<b>BD5652030</b>	DRAINING TAP	•	•	•	•	•	\$10.00
92	<b>BD5669850</b>	SECURITY VALVE ASS.30 PSI	•	•	•	•	•	\$35.00
98	<b>BD5672770</b>	BY-PASS PIPE ASSEMBLY				•	•	\$13.00
99	<b>BD8380850</b>	FIXING CLIP	•	•	•	•	•	\$2.00
102	<b>BD5683540</b>	3 WAY VALVE/MB GROUP LUNA3				•	•	\$127.00
102	<b>BD711107400</b>	3 WAY VALVE ASS.W.OUT BY-PASS LUN	•	•				\$155.00

All pricing shown at list price and subject to change. Call 1-844-422-9462 for any pricing not listed.

# 40GA; 1.33 GA



Pos	Baxi Part #	Description	Boiler Codes					Baxi NA Trade Price
			711080801 40 GA	711080802 40 GA	711080803 711080804 40 GA	711080901 1.33 GA	711080902 1.33 GA	
			<b>Tab 498</b>			<b>Tab 499</b>		
102	<b>BD711605800</b>	3 WAY VALVE ASS.			•			\$166.00
113	<b>BD617100</b>	BY-PASS GR.				•	•	\$34.00
119	<b>BD605760</b>	HYDRAULIC VENTURI ASSEMBLY				•	•	\$7.00
120	<b>BD600750</b>	SPACER ASSEMBLY				•	•	\$25.00
120	<b>BD711356900</b>	3 WAY VALVE CARTRIDGE	•	•	•			\$65.00
122	<b>BD5405370</b>	O-RING	•	•	•			\$2.00
131	<b>BD710831500</b>	NTC SENSOR SO11026	•	•	•			\$6.00
132	<b>BD5402830</b>	WASHER - SENSOR SEALING	•	•	•			\$2.00
134	<b>BD710458500</b>	INJECTOR D. 5,8 mm	•	•	•	•	•	Consult Factory
135	<b>BD9950760</b>	THERMOSTAT - LIMIT	•	•	•	•	•	\$21.00
136	<b>BD711058200</b>	FLOW PIPE 6E	•			•		Consult Factory
136	<b>BD711425900</b>	FLOW PIPE 6E		•	•		•	\$16.00
139	<b>BD711007100</b>	FLEXIBLE GAS PIPE 6E ELEMENTS	•	•	•	•	•	Consult Factory
140	<b>BD710089600</b>	GAS VALVE B&P SGV100	•	•	•	•	•	\$122.00
151	<b>BD711075100</b>	CONTROL PANEL COVER	•	•	•	•	•	Consult Factory
152	<b>BD711074800</b>	CONTROL PANEL	•	•	•	•	•	\$20.00
153	<b>BD711075600</b>	TERMINAL BLOCK COVER V0	•	•	•	•	•	Consult Factory
154	<b>BD711370000</b>	PCB B&P CANADA	•	•	•	•	•	\$298.00
166	<b>BD8421590</b>	TERMINAL BLOCK	•	•	•	•	•	Consult Factory
167	<b>BD5405340</b>	FUSE HOLDER	•	•	•	•	•	Consult Factory
168	<b>BD8422730</b>	FUSE 3,15A 250V	•	•	•	•	•	\$2.00
169	<b>BD710554900</b>	MANOMETER (PRESSURE GUAGE)	•	•	•	•	•	\$33.00

All pricing shown at list price and subject to change. Call 1-844-422-9462 for any pricing not listed.

# 40GA; 1.33 GA



Pos	Baxi Part #	Description	Boiler Codes					Baxi NA Trade Price
			711080801 40 GA	711080802 40 GA	711080803 711080804 40 GA	711080901 1.33 GA	711080902 1.33 GA	
			<b>Tab 498</b>			<b>Tab 499</b>		
171	<b>BD711366900</b>	PCB ROOM TH CANADA ASSEMBLY	•	•	•	•	•	\$46.00
174	<b>BD710126300</b>	7 PUSH BUTTON PANEL B&P	•	•	•	•	•	\$4.00
191	<b>BD5408970</b>	WASHER - SEALING G1/2				•	•	\$2.00
192	<b>BD5404650</b>	SEALING WASHER G 3/4	•	•	•	•	•	\$2.00
200	<b>BD711254800</b>	CONNECTION ASSEMBLY	•	•	•			\$195.00
200	<b>BD711255300</b>	HYDR.CONN. LUNA4 CANADA MONO				•	•	Consult Factory
210	<b>BD5643330</b>	GAS TAP	•	•	•	•	•	Consult Factory
225	<b>BD711096100</b>	TAP HR W/FILTER	•	•	•	•	•	Consult Factory
234	<b>BD711052300</b>	FILLING PIPE	•	•	•			Consult Factory
242	<b>BD711180100</b>	NTC SENSOR	•	•	•	•	•	\$26.00
259	<b>BD710419300</b>	BRAND BAXI	•	•	•	•	•	Consult Factory
280	<b>BD5207730</b>	GASKET 14,2X18X1,5	•	•	•	•	•	\$2.00
285	<b>BD710083600</b>	COVER CLIP-IN	•	•	•	•	•	Consult Factory
336	<b>BD8380680</b>	CLIP-RETAINING	•	•	•	•	•	\$2.00
337	<b>BD5696390</b>	3 WAY VALVE MOTOR 120V	•	•	•	•	•	Consult Factory
340	<b>BD710109100</b>	PRESSURE SENSOR	•	•	•	•	•	\$26.00
382	<b>BD710127500</b>	CABLE DETECTION ELECTRODE	•	•	•	•	•	Consult Factory
408	<b>BD5212900</b>	COMB.CHAMBER UPPER COVER	•	•	•	•	•	Consult Factory
408	<b>BD711571000</b>	COMB.CHAMBER UPPER COVER	•	•	•	•	•	\$61.00
409	<b>BD5413530</b>	GASKET BURNER	•	•	•	•	•	Consult Factory
409	<b>BD721543100</b>	BURNER GASKET ASS.	•	•	•	•	•	\$8.00
411	<b>BD710185200</b>	FLAME SENSING ELEC.GASKET	•	•	•	•	•	\$2.00
415	<b>BD710016700</b>	SIPHON BODY	•	•	•	•	•	Consult Factory
417	<b>BD710522300</b>	PLUG SIPHON	•	•	•	•	•	Consult Factory
419	<b>BD5411000</b>	COMB.CHAMBER GASKET	•	•	•	•	•	\$7.00
421	<b>BD5408270</b>	O-RING 11,91 X 2,62 NBR				•	•	\$2.00



**40GA; 1.33 GA****BAXI**

Pos	Baxi Part #	Description	Boiler Codes					Baxi NA Trade Price
			711080801 40 GA	711080802 40 GA	711080803 711080804 40 GA	711080901 1.33 GA	711080902 1.33 GA	
			<b>Tab 498</b>			<b>Tab 499</b>		
425	<b>BD710042400</b>	VENTURI GASKET	•	•	•	•	•	Consult Factory
428	<b>BD5409290</b>	GASKET	•	•	•	•	•	\$2.00
432	<b>BD5410420</b>	WASHER DIA 60 OUTLET BEND	•	•	•	•	•	\$2.00
435	<b>BD5407550</b>	WASHER DIA100 OUTER ADAPT SEAL	•	•	•	•	•	\$2.00
445	<b>BD710066100</b>	PIPE EXCHANGER/SIPHON	•	•	•	•	•	Consult Factory
490	<b>BD711087000</b>	TAP ES G1/2	•	•	•			Consult Factory
493	<b>BD620880</b>	FILLING KNOB ASS.L=50-10.0318-	•	•	•			Consult Factory
496	<b>BD400020</b>	O-RING	•	•	•	•	•	\$2.00
510	<b>BD600760</b>	DHW PADDLE ASSEMBLY				•	•	\$17.00
511	<b>BD5411330</b>	OR 20,24X2,62 EPDM		•	•		•	Consult Factory
511	<b>BD711180900</b>	OR d.18 X 3 EPDM	•			•		\$2.00
528	<b>BD710439300</b>	SENSOR TODS	•	•	•	•	•	\$14.00
600	<b>BD5112530</b>	SPRING	•	•	•			\$2.00
601	<b>BD710107800</b>	O-RING 8,73x1,78	•	•	•	•	•	Consult Factory
624	<b>BD8435380</b>	FLOW RILEVATOR	•	•	•	•	•	\$19.00
637	<b>BD710883800</b>	TAP FOR EX. TANK L4 FR	•	•	•			Consult Factory
673	<b>BD710066000</b>	CONDENS. PIPE/SIPHON L=680mm	•	•	•	•	•	Consult Factory
678	<b>BD710051400</b>	AIR-GAS CONVEYOR ASS.LUNA4	•	•	•	•	•	Consult Factory
679	<b>BD710993800</b>	CABLE GROUND FOR ELECTRODE	•	•	•	•	•	Consult Factory
681	<b>BD710185300</b>	IGNITION ELECTRODE GASKET	•	•	•	•	•	\$2.00
682	<b>BD5211800</b>	SIGHT GLASS	•	•	•	•	•	Consult Factory
686	<b>BD5663020</b>	BY-PASS PLUG ASSEMBLY				•	•	\$3.00
708	<b>BD5410970</b>	GASKET WITH DOUBLE LIP	•	•	•	•	•	Consult Factory
709	<b>BD8423160</b>	TERMINAL BLOCK	•	•	•	•	•	Consult Factory
710	<b>BD5411030</b>	GASKET	•	•	•	•	•	Consult Factory
732	<b>BD620210</b>	SPRING ASS.				•	•	\$8.00

All pricing shown at list price and subject to change. Call 1-844-422-9462 for any pricing not listed.

**40GA; 1.33 GA****BAXI**

Pos	Baxi Part #	Description	Boiler Codes					Baxi NA Trade Price
			711080801 40 GA	711080802 40 GA	711080803 711080804 40 GA	711080901 1.33 GA	711080902 1.33 GA	
			<b>Tab 498</b>			<b>Tab 499</b>		
746	<b>BD5410900</b>	VENTURI GASKET	•	•	•	•	•	\$3.00
780	<b>BD710014800</b>	UPPER SUPPORT	•	•	•	•	•	\$4.00
781	<b>BD710011400</b>	CLIP FIX GAS PIPE	•	•	•	•	•	Consult Factory
783	<b>BD710039500</b>	HYDRAULIC GROUP GASKET	•	•	•	•	•	Consult Factory
784	<b>BD711085500</b>	REDUCTION FLUE SUPPORT	•	•	•	•	•	Consult Factory
785	<b>BD710061400</b>	O RING GAS PIPE 18 X 3 NBR	•	•	•	•	•	\$2.00
787	<b>BD710156200</b>	SEAL FILLING TAP	•	•	•			\$2.00
788	<b>BD710176000</b>	COMBUSTION CHAMBER GASKET C	•	•	•	•	•	\$2.00
790	<b>BD710117900</b>	TERMINAL BLOCK 10 PIN PA35	•	•	•	•	•	Consult Factory
791	<b>BD5411840</b>	O-RING 40,95x2,62-EPDM	•	•	•	•	•	\$2.00
805	<b>BD711370100</b>	EASY SERVICE KEY ASS.	•	•	•	•	•	\$62.00
808	<b>BD721311400</b>	O-RING 18X2			•			Consult Factory
999	<b>BD8417650</b>	POWER CABLE UL-CSA	•	•	•	•	•	Consult Factory
999	<b>BD710079700</b>	CABLE NTC ADDED	•	•	•	•	•	\$3.00
999	<b>BD710103100</b>	CABLE GROUND FRAME	•	•	•	•	•	Consult Factory
999	<b>BD710126700</b>	CABLE TERM.BLOCK ROOM THERMOSTAT	•	•	•	•	•	Consult Factory
999	<b>BD710992900</b>	REMOTE CONTROL CABLE	•	•	•	•	•	Consult Factory
999	<b>BD710993000</b>	GAS VALVE POWER CABLE	•	•	•	•	•	\$9.00
999	<b>BD710993100</b>	LOW TENSION CABLE	•	•	•			\$16.00
999	<b>BD710993200</b>	CABLE PWM FAN	•	•	•	•	•	Consult Factory
999	<b>BD710993300</b>	CABLE 3WV/PUMP/FAN	•	•	•	•	•	\$27.00
999	<b>BD710993400</b>	PCB POWER CABLE	•	•	•	•	•	Consult Factory
999	<b>BD710993500</b>	CABLE EXTERNAL BOILER	•	•	•			\$11.00
999	<b>BD710993700</b>	CABLE SAFETY THERMOSTAT	•	•	•	•	•	Consult Factory
999	<b>BD710993900</b>	LOW TENSION CABLE				•	•	Consult Factory
999	<b>BD710994000</b>	CABLE EXTERNAL SENSOR/BOILER				•	•	Consult Factory
999	<b>BD711065800</b>	CABLE NTC FLUE	•	•	•	•	•	\$8.00

All pricing shown at list price and subject to change. Call 1-844-422-9462 for any pricing not listed.

# BAXI

PO Box 4729  
Utica, NY 13504  
[www.baxiboilers.com](http://www.baxiboilers.com)

All specifications subject to change without notice.  
© 2018 Baxi N.A.  
[7/15/18]