

BAXI

DuoTec 40 GA/1.33 GA Spare Parts Catalog Effective July 15, 2018



HOW TO READ THE SPARE PARTS CATALOGUE

In the spare part catalogue, after the exploded diagrams, there are the components lists of the boilers; this is the meaning of the different columns:

- Pos. Identification number of the component in the exploded diagram of the boiler.
- Description Short description of the component.
- Code BAXI S.p.A. code of the component.
- Tab. XX XX is the exploded diagram number of the boiler taken into consideration.

Boiler Code


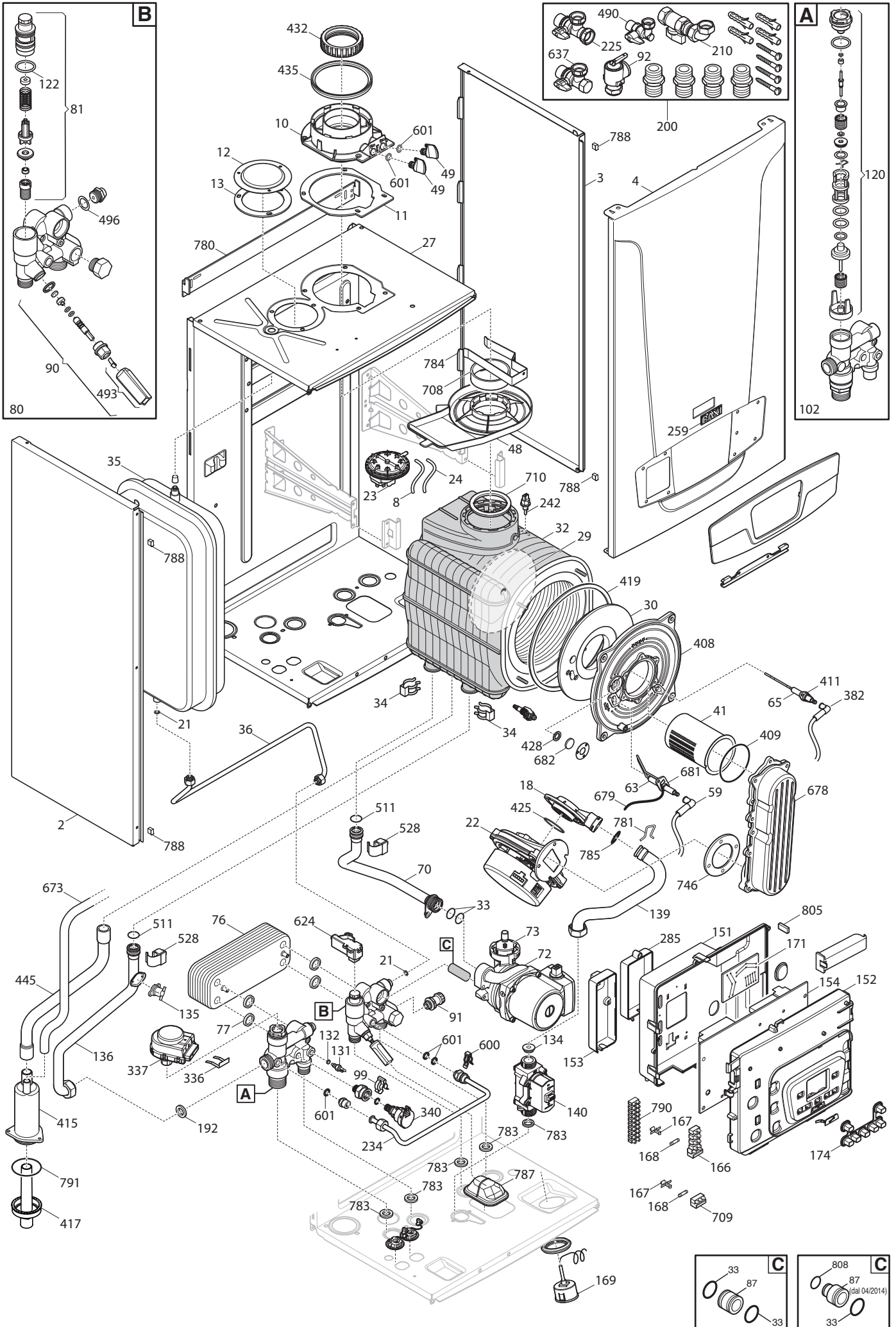
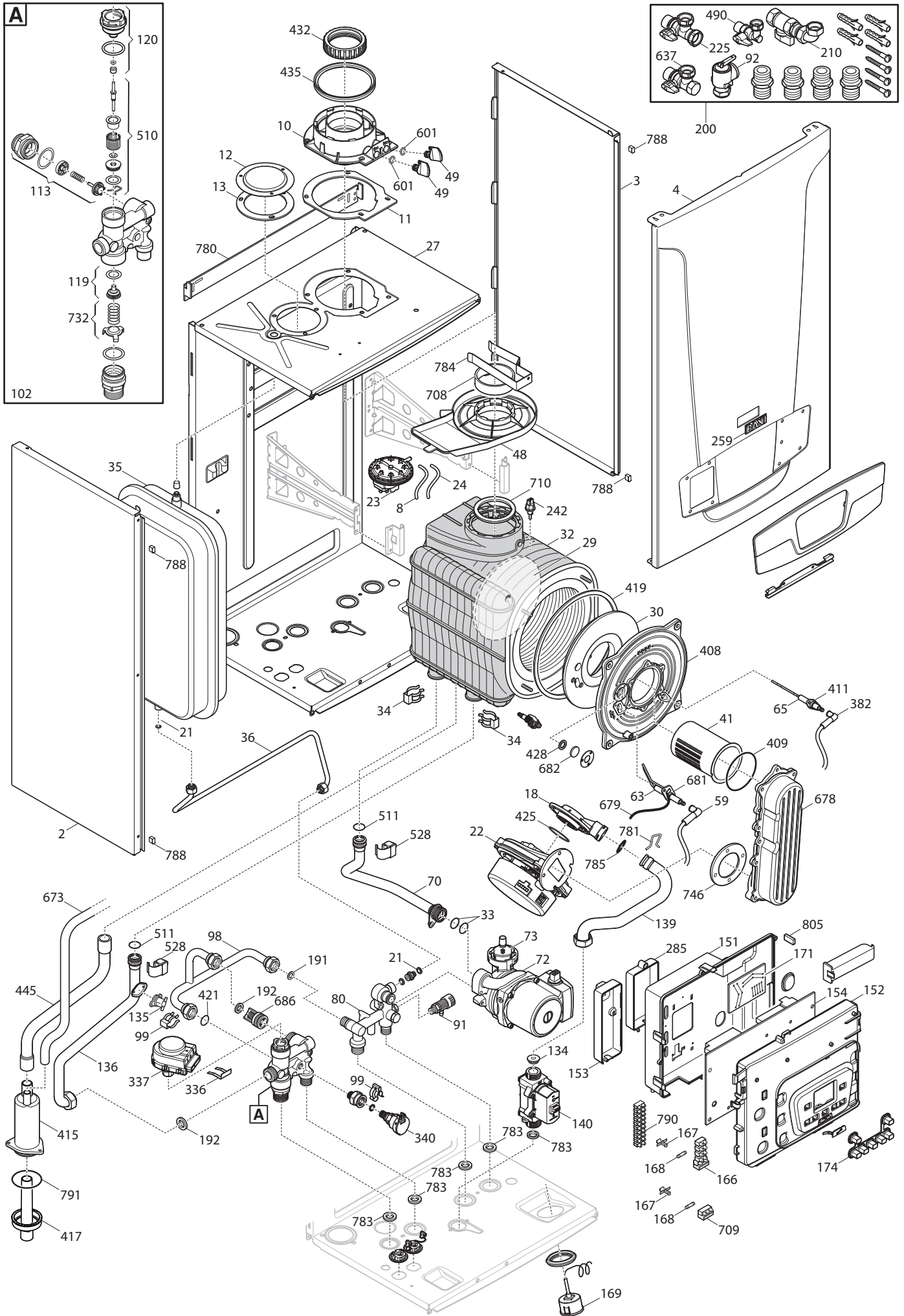
Mod. LUNA DUO-TEC 40 GA SERIAL N° 172603337		Combination boiler Chaudière à deux services		 711080804	 172603337	7110807.04
DIRECT VENT BOILER / CHAUDIERE A EVENT DIRECT Min input rate / débit thermique 21,838 Btu/h Min output rate / puissance thermique 19,108 Btu/h Max CH pressure / pression chauffage 30 p.s.i Max DHW pressure / pression eau sanitaire 116 p.s.i Type of gas / Type de gaz Nominal inlet gas pressure/pression alim. gaz Electrical supply / alimentation électrique	Nat(A) LP(E) 7 in w.c. 11 in w.c. 120V; ~60Hz; 1.40A	BAXI S.p.A. Via Trozzetti 20 36061 Bassano del Grappa Vicenza, Italy		CSA "Master contract number 188786"		  
Installation Max heat input / débit thermique Max heat output / puissance thermique	0÷2000 Ft 152,864 Btu/h 136,486 Btu/h	Installation Max heat input / débit thermique Max heat output / puissance thermique	2000÷4500 Ft 145,698 Btu/h 130,003 Btu/h	ANSI Z21.13-2014/CSA 4.9-2014 For use with NATURAL gas only supply pressure: Appareil réglé à gaz NATUREL pression d'alimentation du gaz: 7 " w.c. ± 1.2 " w.c. / 1.74 kPa ± 0.3 kPa		
This boiler is equipped with: A pressure relief valve setting a 30 psi A temperature limiting device setting a 221°F		Cette chaudière est équipée avec: Une vanne réductrice de pression tarée à 30 psi Un dispositif limiteur de température étalonné à 221°F				
MADE IN ITALY						

TABELLA COLLEGAMENTO CODICE CALDAIA - ESPLOSO TABLEAU CONNECTION CODEX CHAUDIERE - VUE ECLATEE BOILERS CONNECTION BOARD - EXPLODED VIEW

BOILER CODE	BOILER DESCRIPTION	EXPLODED REF.
CODICE CALDAIA	DESCRIZIONE CALDAIA	RIF. ESPLOSO
CODIGO CALDERA	DESCRIPCION CALDERA	REF. EXPLOSIONADO
CODE CHAUDIERE	DESCRIPTION CHAUDIERE	RÉF. EXPLOSÉE
711080803	LUNA DUO-TEC 40 GA CANADA	Tab 498
711080902	LUNA DUO-TEC 1.33 GA CANADA	Tab 499
711080901	LUNA DUO-TEC 1.33 GA CANADA	Tab 499
711080802	LUNA DUO-TEC 40 GA CANADA	Tab 498
711080801	LUNA DUO-TEC 40 GA CANADA	Tab 498





40GA; 1.33 GA**BAXI**

Pos	Baxi Part #	Description	Boiler Codes					Baxi NA Trade Price
			711080801 40 GA	711080802 40 GA	711080803 711080804 40 GA	711080901 1.33 GA	711080902 1.33 GA	
			Tab 498			Tab 499		
2	BD710066300	LEFT PANEL ASSEMBLY	•	•	•	•	•	Consult Factory
3	BD710066200	RIGHT PANEL ASSEMBLY	•	•	•	•	•	Consult Factory
4	BD710194800	FRONT PANEL ASSEMBLY	•	•	•	•	•	Consult Factory
8	BD5408080	PRESSURE SWITCH PIPE L=270	•	•	•	•	•	Consult Factory
10	BD711085100	FLUE CONNECTION 60/100	•	•	•	•	•	\$10.00
11	BD5409010	GASKET ADAPTOR	•	•	•	•	•	Consult Factory
12	BD5108690	PLATE BLANKING	•	•	•	•	•	\$2.00
13	BD5407400	SUCTION CAP GASKET	•	•	•	•	•	\$2.00
18	BD710458100	MIXER PL30 C1500107	•	•	•	•	•	Consult Factory
21	BD5402050	WASHER-SEALING	•	•	•	•	•	\$2.00
22	BD711073900	FAN NRG 118 CANADA	•	•	•	•	•	\$287.00
23	BD619630	FLUE PRESSURE SWITCH 400-350Pa	•	•	•	•	•	\$34.00
24	BD5414320	PIPE-VALVE COMPENS.4,5x8 L=170	•	•	•	•	•	Consult Factory
27	BD632310	C FRAME CANADA BIT. WITH CAP		•	•			\$36.00
27	BD632320	C FRAME MONO CANADA WITH CAP					•	Consult Factory
27	BD711085400	C FRAME CANADA	•					Consult Factory
27	BD711175300	C FRAME MONO. CANADA				•		Consult Factory
29	BD710283700	DEFLECTOR INSULATION SPARE	•	•	•	•	•	\$45.00
30	BD5411020	INSULATION PANEL	•	•	•	•	•	\$23.00
32	BD711071500	HEAT EXCHANGER BASIC 6E CAN.	•			•		Consult Factory
32	BD711447000	HEAT EXCHANGER BASIC 6E CAN.		•	•		•	\$1,604.00
33	BD710963000	OR 21,5X3 EP70 TFL	•	•	•	•	•	\$2.00
34	BD711260500	CLIP EXCHANGER	•			•		Consult Factory
34	BD711449800	EXCHANGER CLIP		•	•		•	Consult Factory
35	BD710022400	EXPANSION VASSEL 10L	•	•	•	•	•	\$100.00
36	BD710157400	EXPANSION VESSEL PIPE	•	•	•	•	•	Consult Factory
41	BD710448100	BURNER PX968a	•	•	•	•	•	Consult Factory
41	BD711570600	BURNER/FLANGE 6E ASS.	•	•	•	•	•	Consult Factory

All pricing shown at list price and subject to change. Call 1-844-422-9462 for any pricing not listed.

40GA; 1.33 GA**BAXI**

Pos	Baxi Part #	Description	Boiler Codes					Baxi NA Trade Price
			711080801 40 GA	711080802 40 GA	711080803 711080804 40 GA	711080901 1.33 GA	711080902 1.33 GA	
			Tab 498			Tab 499		
48	BD710282300	CONDENSING WATER TRAY 80/60 IT	•	•	•	•	•	Consult Factory
49	BD5409280	TAP ADAPTOR	•	•	•	•	•	\$2.00
59	BD711250600	IGNITION ELECTRODE CABLE CAN.	•	•	•	•	•	\$16.00
63	BD710220000	ELECTRODE - IGNITION	•	•	•	•	•	\$20.00
65	BD710424200	FLAME SENSOR B&P	•	•	•	•	•	\$16.00
70	BD711062400	PUMP/EXCHANGER PIPE ASSY	•			•		Consult Factory
70	BD711425800	PUMP/EXCHANGER PIPE ASSY		•	•		•	\$22.00
72	BD710786500	PUMP UPR 15-58 2VEL L4 120V	•	•	•	•	•	\$166.00
73	BD710493600	AIR VENT PUMP GR.	•	•	•	•	•	\$28.00
76	BD5689930	EXCHANGER 20 PLATE TO PLATE	•	•				\$182.00
76	BD711613200	DHW PLATE EXCHANGER 20 PLATES			•			Consult Factory
77	BD5404520	DHW PLATE EXCHANGER GASKET	•	•				\$2.00
77	BD711613500	DHW PLATE EXCHANGER OR			•			\$2.00
80	BD710266700	RETURN/FILLING TAP ASSY SYSTEM				•	•	Consult Factory
80	BD711189300	HYDRAULIC INLET ASS. 14L	•	•				\$122.00
80	BD711607100	HYDRAULIC INLET ASS. 14L			•			\$122.00
81	BD632130	FILTER ASSEMBLY ADAPTER 14L	•	•				Consult Factory
81	BD711633600	FILTER ASSEMBLY ADAPTER 14L			•			\$36.00
81	BD711633600	FILTER ASSEMBLY ADAPTER 14L	•	•				\$36.00
87	BD710185800	PUMP CONNECTING ELEMENT WILO	•	•				\$4.00
87	BD711652200	PUMP CONNECTING ELEMENT/OR GRUN			•			Consult Factory
90	BD620890	FILLING GR.WITH TURBINE 120074	•	•	•			Consult Factory
91	BD5652030	DRAINING TAP	•	•	•	•	•	\$10.00
92	BD5669850	SECURITY VALVE ASS.30 PSI	•	•	•	•	•	\$35.00
98	BD5672770	BY-PASS PIPE ASSEMBLY				•	•	\$13.00
99	BD8380850	FIXING CLIP	•	•	•	•	•	\$2.00
102	BD5683540	3 WAY VALVE/MB GROUP LUNA3				•	•	\$127.00
102	BD711107400	3 WAY VALVE ASS.W.OUT BY-PASS LUN	•	•				\$155.00

All pricing shown at list price and subject to change. Call 1-844-422-9462 for any pricing not listed.

40GA; 1.33 GA



Pos	Baxi Part #	Description	Boiler Codes					Baxi NA Trade Price
			711080801 40 GA	711080802 40 GA	711080803 711080804 40 GA	711080901 1.33 GA	711080902 1.33 GA	
			Tab 498			Tab 499		
102	BD711605800	3 WAY VALVE ASS.			•			\$166.00
113	BD617100	BY-PASS GR.				•	•	\$34.00
119	BD605760	HYDRAULIC VENTURI ASSEMBLY				•	•	\$7.00
120	BD600750	SPACER ASSEMBLY				•	•	\$25.00
120	BD711356900	3 WAY VALVE CARTRIDGE	•	•	•			\$65.00
122	BD5405370	O-RING	•	•	•			\$2.00
131	BD710831500	NTC SENSOR SO11026	•	•	•			\$6.00
132	BD5402830	WASHER - SENSOR SEALING	•	•	•			\$2.00
134	BD710458500	INJECTOR D. 5,8 mm	•	•	•	•	•	Consult Factory
135	BD9950760	THERMOSTAT - LIMIT	•	•	•	•	•	\$21.00
136	BD711058200	FLOW PIPE 6E	•			•		Consult Factory
136	BD711425900	FLOW PIPE 6E		•	•		•	\$16.00
139	BD711007100	FLEXIBLE GAS PIPE 6E ELEMENTS	•	•	•	•	•	Consult Factory
140	BD710089600	GAS VALVE B&P SGV100	•	•	•	•	•	\$122.00
151	BD711075100	CONTROL PANEL COVER	•	•	•	•	•	Consult Factory
152	BD711074800	CONTROL PANEL	•	•	•	•	•	\$20.00
153	BD711075600	TERMINAL BLOCK COVER V0	•	•	•	•	•	Consult Factory
154	BD711370000	PCB B&P CANADA	•	•	•	•	•	\$298.00
166	BD8421590	TERMINAL BLOCK	•	•	•	•	•	Consult Factory
167	BD5405340	FUSE HOLDER	•	•	•	•	•	Consult Factory
168	BD8422730	FUSE 3,15A 250V	•	•	•	•	•	\$2.00
169	BD710554900	MANOMETER (PRESSURE GUAGE)	•	•	•	•	•	\$33.00

40GA; 1.33 GA



Pos	Baxi Part #	Description	Boiler Codes					Baxi NA Trade Price
			711080801 40 GA	711080802 40 GA	711080803 711080804 40 GA	711080901 1.33 GA	711080902 1.33 GA	
			Tab 498			Tab 499		
171	BD711366900	PCB ROOM TH CANADA ASSEMBLY	•	•	•	•	•	\$46.00
174	BD710126300	7 PUSH BUTTON PANEL B&P	•	•	•	•	•	\$4.00
191	BD5408970	WASHER - SEALING G1/2				•	•	\$2.00
192	BD5404650	SEALING WASHER G 3/4	•	•	•	•	•	\$2.00
200	BD711254800	CONNECTION ASSEMBLY	•	•	•			\$195.00
200	BD711255300	HYDR.CONN. LUNA4 CANADA MONO				•	•	Consult Factory
210	BD5643330	GAS TAP	•	•	•	•	•	Consult Factory
225	BD711096100	TAP HR W/FILTER	•	•	•	•	•	Consult Factory
234	BD711052300	FILLING PIPE	•	•	•			Consult Factory
242	BD711180100	NTC SENSOR	•	•	•	•	•	\$26.00
259	BD710419300	BRAND BAXI	•	•	•	•	•	Consult Factory
280	BD5207730	GASKET 14,2X18X1,5	•	•	•	•	•	\$2.00
285	BD710083600	COVER CLIP-IN	•	•	•	•	•	Consult Factory
336	BD8380680	CLIP-RETAINING	•	•	•	•	•	\$2.00
337	BD5696390	3 WAY VALVE MOTOR 120V	•	•	•	•	•	Consult Factory
340	BD710109100	PRESSURE SENSOR	•	•	•	•	•	\$26.00
382	BD710127500	CABLE DETECTION ELECTRODE	•	•	•	•	•	Consult Factory
408	BD5212900	COMB.CHAMBER UPPER COVER	•	•	•	•	•	Consult Factory
408	BD711571000	COMB.CHAMBER UPPER COVER	•	•	•	•	•	\$61.00
409	BD5413530	GASKET BURNER	•	•	•	•	•	Consult Factory
409	BD721543100	BURNER GASKET ASS.	•	•	•	•	•	\$8.00
411	BD710185200	FLAME SENSING ELEC.GASKET	•	•	•	•	•	\$2.00
415	BD710016700	SIPHON BODY	•	•	•	•	•	Consult Factory
417	BD710522300	PLUG SIPHON	•	•	•	•	•	Consult Factory
419	BD5411000	COMB.CHAMBER GASKET	•	•	•	•	•	\$7.00
421	BD5408270	O-RING 11,91 X 2,62 NBR				•	•	\$2.00

40GA; 1.33 GA**BAXI**

Pos	Baxi Part #	Description	Boiler Codes					Baxi NA Trade Price
			711080801 40 GA	711080802 40 GA	711080803 711080804 40 GA	711080901 1.33 GA	711080902 1.33 GA	
			Tab 498			Tab 499		
425	BD710042400	VENTURI GASKET	•	•	•	•	•	Consult Factory
428	BD5409290	GASKET	•	•	•	•	•	\$2.00
432	BD5410420	WASHER DIA 60 OUTLET BEND	•	•	•	•	•	\$2.00
435	BD5407550	WASHER DIA100 OUTER ADAPT SEAL	•	•	•	•	•	\$2.00
445	BD710066100	PIPE EXCHANGER/SIPHON	•	•	•	•	•	Consult Factory
490	BD711087000	TAP ES G1/2	•	•	•			Consult Factory
493	BD620880	FILLING KNOB ASS.L=50-10.0318-	•	•	•			Consult Factory
496	BD400020	O-RING	•	•	•	•	•	\$2.00
510	BD600760	DHW PADDLE ASSEMBLY				•	•	\$17.00
511	BD5411330	OR 20,24X2,62 EPDM		•	•		•	Consult Factory
511	BD711180900	OR d.18 X 3 EPDM	•			•		\$2.00
528	BD710439300	SENSOR TODS	•	•	•	•	•	\$14.00
600	BD5112530	SPRING	•	•	•			\$2.00
601	BD710107800	O-RING 8,73x1,78	•	•	•	•	•	Consult Factory
624	BD8435380	FLOW RILEVATOR	•	•	•	•	•	\$19.00
637	BD710883800	TAP FOR EX. TANK L4 FR	•	•	•			Consult Factory
673	BD710066000	CONDENS. PIPE/SIPHON L=680mm	•	•	•	•	•	Consult Factory
678	BD710051400	AIR-GAS CONVEYOR ASS.LUNA4	•	•	•	•	•	Consult Factory
679	BD710993800	CABLE GROUND FOR ELECTRODE	•	•	•	•	•	Consult Factory
681	BD710185300	IGNITION ELECTRODE GASKET	•	•	•	•	•	\$2.00
682	BD5211800	SIGHT GLASS	•	•	•	•	•	Consult Factory
686	BD5663020	BY-PASS PLUG ASSEMBLY				•	•	\$3.00
708	BD5410970	GASKET WITH DOUBLE LIP	•	•	•	•	•	Consult Factory
709	BD8423160	TERMINAL BLOCK	•	•	•	•	•	Consult Factory
710	BD5411030	GASKET	•	•	•	•	•	Consult Factory
732	BD620210	SPRING ASS.				•	•	\$8.00

All pricing shown at list price and subject to change. Call 1-844-422-9462 for any pricing not listed.

40GA; 1.33 GA**BAXI**

Pos	Baxi Part #	Description	Boiler Codes					Baxi NA Trade Price
			711080801 40 GA	711080802 40 GA	711080803 711080804 40 GA	711080901 1.33 GA	711080902 1.33 GA	
			Tab 498			Tab 499		
746	BD5410900	VENTURI GASKET	•	•	•	•	•	\$3.00
780	BD710014800	UPPER SUPPORT	•	•	•	•	•	\$4.00
781	BD710011400	CLIP FIX GAS PIPE	•	•	•	•	•	Consult Factory
783	BD710039500	HYDRAULIC GROUP GASKET	•	•	•	•	•	Consult Factory
784	BD711085500	REDUCTION FLUE SUPPORT	•	•	•	•	•	Consult Factory
785	BD710061400	O RING GAS PIPE 18 X 3 NBR	•	•	•	•	•	\$2.00
787	BD710156200	SEAL FILLING TAP	•	•	•			\$2.00
788	BD710176000	COMBUSTION CHAMBER GASKET C	•	•	•	•	•	\$2.00
790	BD710117900	TERMINAL BLOCK 10 PIN PA35	•	•	•	•	•	Consult Factory
791	BD5411840	O-RING 40,95x2,62-EPDM	•	•	•	•	•	\$2.00
805	BD711370100	EASY SERVICE KEY ASS.	•	•	•	•	•	\$62.00
808	BD721311400	O-RING 18X2			•			Consult Factory
999	BD8417650	POWER CABLE UL-CSA	•	•	•	•	•	Consult Factory
999	BD710079700	CABLE NTC ADDED	•	•	•	•	•	\$3.00
999	BD710103100	CABLE GROUND FRAME	•	•	•	•	•	Consult Factory
999	BD710126700	CABLE TERM.BLOCK ROOM THERMOSTAT	•	•	•	•	•	Consult Factory
999	BD710992900	REMOTE CONTROL CABLE	•	•	•	•	•	Consult Factory
999	BD710993000	GAS VALVE POWER CABLE	•	•	•	•	•	\$9.00
999	BD710993100	LOW TENSION CABLE	•	•	•			\$16.00
999	BD710993200	CABLE PWM FAN	•	•	•	•	•	Consult Factory
999	BD710993300	CABLE 3WV/PUMP/FAN	•	•	•	•	•	\$27.00
999	BD710993400	PCB POWER CABLE	•	•	•	•	•	Consult Factory
999	BD710993500	CABLE EXTERNAL BOILER	•	•	•			\$11.00
999	BD710993700	CABLE SAFETY THERMOSTAT	•	•	•	•	•	Consult Factory
999	BD710993900	LOW TENSION CABLE				•	•	Consult Factory
999	BD710994000	CABLE EXTERNAL SENSOR/BOILER				•	•	Consult Factory
999	BD711065800	CABLE NTC FLUE	•	•	•	•	•	\$8.00

All pricing shown at list price and subject to change. Call 1-844-422-9462 for any pricing not listed.

BAXI

PO Box 4729
Utica, NY 13504
www.baxiboilers.com

All specifications subject to change without notice.
© 2018 Baxi N.A.
PN 240012356 [7/15/18]