

BAXI

Duo Tec 30 GA Spare Parts Catalog Effective July 15, 2018



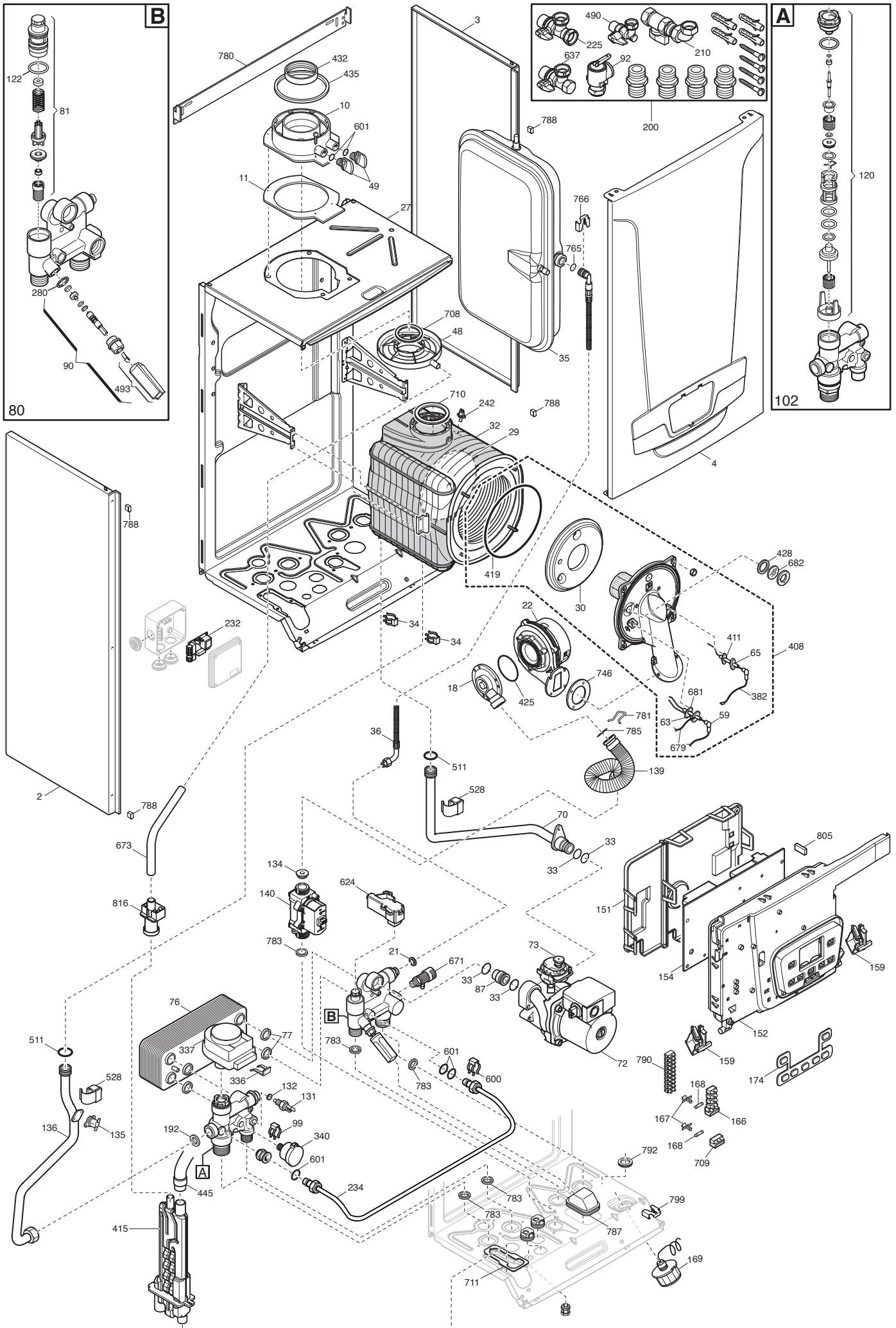
HOW TO READ THE SPARE PARTS CATALOGUE

In the spare part catalogue, after the exploded diagrams, there are the components lists of the boilers; this is the meaning of the different columns:

Pos.	Identification number of the component in the exploded diagram of the boiler.
Description	Short description of the component.
Code	BAXI S.p.A. code of the component.
Tab. XX	XX is the exploded diagram number of the boiler taken into consideration.

TABELLA COLLEGAMENTO CODICE CALDAIA - ESPLOSO TABLEAU CONNECTION CODEX CHAUDIERE - VUE ECLATEE BOILERS CONNECTION BOARD - EXPLODED VIEW

BOILER CODE	BOILER DESCRIPTION	EXPLODED REF.
CODICE CALDAIA	DESCRIZIONE CALDAIA	RIF. ESPLOSO
CODIGO CALDERA	DESCRIPCION CALDERA	REF. EXPLOSIONADO
CODE CHAUDIÈRE	DESCRIPTION CHAUDIÈRE	RÉF. EXPLOSÉE
766858801	DUO-TEC COMPACT 30 GA	Tab 666



Compact 30 GA



<i>Pos</i>	<i>Baxi Part #</i>	<i>Description</i>	<i>Baxi NA Trade Pricing</i>
Tab 666			
2	BD767301100	LEFT PANEL ASSEMBLY	Consult Factory
3	BD767300700	RIGHT PANEL ASSEMBLY	Consult Factory
4	BD767301300	FRONTAL PANEL	Consult Factory
10	BD5409020	FLUE ADAPTOR HE	\$12.00
11	BD5409010	GASKET ADAPTOR	Consult Factory
18	BD710385100	MIXER PL20 C1500106	Consult Factory
21	BD5402050	WASHER-SEALING	\$2.00
22	BD711073900	FAN NRG 118 CANADA	\$287.00
27	BD721693100	C FRAME	Consult Factory
29	BD710283600	COMBUSTION CHAMBER REAR INSUL.	\$24.00
30	BD768485800	FRONTAL INSULATING PANEL	\$15.00
32	BD768480100	HEAT EXCHANGER 3+1+1	Consult Factory
33	BD710963000	OR 21,5X3 EP70 TFL	\$2.00
34	BD721623500	EXCHANGER CLIP	\$2.00
35	BD710630400	EXPANSION VESSEL 7 L	\$85.00
36	BD710583600	EXPANSION VESSEL PIPE	\$8.00
48	BD710039800	CONDENSING WATER TRAY 80/60	\$2.00
49	BD5409280	TAP ADAPTOR	\$2.00
59	BD710126200	CABLE IGNITION ELECTRODE B&P	\$12.00
63	BD710220000	ELECTRODE - IGNITION	\$20.00
65	BD710424200	FLAME SENSOR B&P	\$16.00
70	BD768480200	RETURN PIPE ASSY	Consult Factory
72	BD710786500	PUMP UPR 15-58 2VEL L4 120V	\$166.00

All pricing shown at list price and subject to change. Call 1-844-422-9462 for any pricing not shown

Compact 30 GA

<i>Pos</i>	<i>Baxi Part #</i>	<i>Description</i>	<i>Baxi NA Trade Pricing</i>
Tab 666			
73	BD710493600	AIR VENT PUMP GR.	\$28.00
76	BD711613000	DHW PLATE EXCHANGER 14 PLATES	\$48.00
77	BD711613500	DHW PLATE EXCHANGER OR	\$2.00
80	BD711607300	HYDR.INL.GR.WITH OUT BYPASS10L	\$126.00
81	BD711633500	FILTER ASS.WITH RED.10L-100291	\$38.00
87	BD711652200	PUMP CONNECTING ELEMENT/OR GRUN	Consult Factory
90	BD611930	FILLING GROUP	\$14.00
92	BD5669850	SECURITY VALVE ASS.30 PSI	\$35.00
99	BD8380850	FIXING CLIP	\$2.00
102	BD711605800	3 WAY VALVE ASS.	\$166.00
120	BD711356900	3 WAY VALVE CARTRIDGE	\$65.00
122	BD5405370	O-RING	\$2.00
131	BD8435400	NTC SENSOR	\$16.00
132	BD5402830	WASHER - SENSOR SEALING	\$2.00
134	BD710458300	INJECTOR B&P D.4,6mm	Consult Factory
135	BD768484700	SAFETY TH 96°	\$4.00
136	BD768482400	FLOW PIPE	Consult Factory
139	BD766208300	FLEXIBLE GAS PIPE	Consult Factory
140	BD710089600	GAS VALVE B&P SGV100	\$122.00
151	BD768487000	CONTROL PANEL COVER	Consult Factory
152	BD768486100	CONTROL PANEL	Consult Factory
154	BD768486200	PCB B&P HAGC03 BX04	\$166.00
159	BD710569200	HINGE	Consult Factory

All pricing shown at list price and subject to change. Call 1-844-422-9462 for any pricing not shown

Compact 30 GA



<i>Pos</i>	<i>Baxi Part #</i>	<i>Description</i>	<i>Baxi NA Trade Pricing</i>
Tab 666			
166	BD8423320	TERMINAL BOARD	Consult Factory
167	BD5405340	FUSE HOLDER	Consult Factory
168	BD8422730	FUSE 3,15A 250V	\$2.00
169	BD710584000	MANOMETER D.28	\$33.00
174	BD710126300	7 PUSH BUTTON PANEL B&P	\$4.00
192	BD5404650	SEALING WASHER G 3/4	\$2.00
200	BD768490500	CONNECTION ASSEMBLY	Consult Factory
210	BD711087100	GAS TAP ASSEMBLY	Consult Factory
225	BD711096100	TAP HR W/FILTER	Consult Factory
232	BD768487700	PCB INTERFACE	\$44.00
234	BD711052300	FILLING PIPE	Consult Factory
242	BD711180100	NTC SENSOR	\$26.00
280	BD5207730	GASKET 14,2X18X1,5	\$2.00
336	BD8380680	CLIP-RETAINING	\$2.00
337	BD5696390	3 WAY VALVE MOTOR 120V	Consult Factory
340	BD710109100	PRESSURE SENSOR	\$26.00
382	BD710127500	CABLE DETECTION ELECTRODE	Consult Factory
408	BD768485700	COMB.CHAMBER UPPER COVER	Consult Factory
411	BD710185200	FLAME SENSING ELEC.GASKET	\$2.00
415	BD765806300	SIPHON BODY H200	\$22.00
419	BD5411000	BURNER/FLANGE GASKET	\$7.00

Compact 30 GA

<i>Pos</i>	<i>Baxi Part #</i>	<i>Description</i>	<i>Baxi NA Trade Pricing</i>
Tab 666			
425	BD710042400	VENTURI GASKET	Consult Factory
428	BD5409290	GASKET	\$2.00
432	BD5410420	WASHER DIA 60 OUTLET BEND	\$2.00
435	BD5407550	WASHER DIA100 OUTER ADAPT SEAL	\$2.00
445	BD768482600	EXCHANGER/SIPHON PIPE	Consult Factory
490	BD711087000	TAP ES G1/2	Consult Factory
493	BD605660	FILLING KNOB ASSEMBLY	Consult Factory
511	BD711180900	OR d.18 X 3 EPDM	\$2.00
528	BD710439300	SENSOR TODS	\$14.00
600	BD5112530	SPRING	\$2.00
601	BD5408560	O-RING 8,73x1,78	\$2.00
624	BD8435380	FLOW RILEVATOR	\$19.00
631	BD711265600	AIR VENT PIPE	Consult Factory
637	BD710883800	TAP FOR EX. TANK L4 FR	Consult Factory
671	BD710187900	DRAINING TAP	\$7.00
673	BD768482500	PIPE CONDENSY/SYPHON	Consult Factory
679	BD768484500	ELECTRODE GROUND WIRING	Consult Factory
681	BD710185300	IGNITION ELECTRODE GASKET	\$2.00
682	BD5211800	SIGHT GLASS	Consult Factory
708	BD5410970	GASKET WITH DOUBLE LIP	Consult Factory
709	BD8423330	BOX FOR FUSE	Consult Factory
710	BD5411030	GASKET	Consult Factory

Compact 30 GA



<i>Pos</i>	<i>Baxi Part #</i>	<i>Description</i>	<i>Baxi NA Trade Pricing</i>
Tab 666			
711	BD722247000	SIPHON GASKET COMPACT	Consult Factory
715	BD5402700	ORING 15,60X1,78	\$2.00
746	BD767362900	FAN GASKET	\$2.00
765	BD710045700	O-RING d.9,19 X 2,62	\$2.00
766	BD710106700	FLAT SPRING diameter 10	\$2.00
780	BD710633100	UPPER SUPPORT	\$2.00
781	BD710011400	CLIP FIX GAS PIPE	Consult Factory
783	BD710039500	HYDRAULIC GROUP GASKET □	Consult Factory
785	BD710061400	O RING GAS PIPE 18 X 3 NBR	\$2.00
787	BD710156200	SEAL FILLING TAP	\$2.00
788	BD710176000	COMBUSTION CHAMBER GASKET C	\$2.00
790	BD710117900	TERMINAL BLOCK 10 PIN PA35	Consult Factory
791	BD5411840	O-RING 40,95x2,62-EPDM	\$2.00
792	BD710189600	PLASTIC PLUG FASTPOIN.4816EA00	\$2.00
799	BD710654100	SPRING FIXING D.9	Consult Factory
805	BD710731500	CONFIGURATION KEY DUOTEC	\$70.00
816	BD768484800	CONDENSATE SENSOR	\$15.00
999	BD8417650	POWER CABLE UL-CSA	Consult Factory
999	BD710992900	REMOTE CONTROL CABLE	Consult Factory
999	BD710993000	GAS VALVE POWER CABLE	\$9.00
999	BD710993100	LOW TENSION CABLE	\$16.00
999	BD710993200	CABLE PWM FAN	Consult Factory
999	BD711065800	CABLE NTC FLUE	\$8.00
999	BD768484100	3WV/FAN/PUMP WIRING	\$26.00

All pricing shown at list price and subject to change. Call 1-844-422-9462 for any pricing not shown

Compact 30 GA



<i>Pos</i>	<i>Baxi Part #</i>	<i>Description</i>	<i>Baxi NA Trade Pricing</i>
Tab 666			
999	BD768484200	PCB POWER WIRING	Consult Factory
999	BD768484300	EXTERNAL SONDE WIRING	Consult Factory
999	BD768484400	SAFETY TH WIRING	Consult Factory
999	BD768484600	TERMINAL BLOCK WIRING	Consult Factory

BAXI

PO Box 4729
Utica, NY 13504
www.baxiboilers.com

All specifications subject to change without notice.
© 2018 Baxi N.A.
7/15/18]