



16" x 42" Packaged Terminal Air Conditioners & Heat Pumps

US Trade Price Book - 2020

Effective 4/20/20

ENVIROair



Comfort Where It Counts

www.emiretroaire.com



Manufactured by:
ECR International Inc.
2201 Dwyer Avenue, Utica, NY 13501
Tel. 800 325 5479
www.ecrinternational.com
PN 240011076 REV. G [04/02/2020]

Customer Support Team

Volume Quotes:

Sheila Henderson: (315) 731-4154

Email: sheila.henderson@ecrinternational.com

Customer Service:

Phone: 800-325-5479 option #2

Fax: (315) 724-9319

Email Purchase Orders: ecrorderentry@ecrinternational.com

Email Inquiries: customerservice@ecrinternational.com

Technical Support:

Phone: (800) 253-7900

Fax: (866) 432-7329

Email: technical.support@ecrinternational.com

Marketing Support:

Phone: (800) 325-5479

Fax: (315) 733-1759

E-mail: marketing@ecrinternational.com

WWW.ECRCUSTOMERPORTAL.COM

Your On-line Access to:

- Order Status
- Invoices
- Statements
- RMA
- Serial Number Look-Up
- Literature



Enviroair 16" x 42" PTAC - Packaged Terminal Air Conditioners & Heat Pumps

Cooling & Heating Range:

- 9,000 - 15,000 Btuh
- 3.5 kW, 5 kW

High Efficiency

- Cooling models offer up to 11.3 EER
- Heat Pump models up to 3.4 COP – reducing operating costs.

User-Friendly Features

- Memory:
If power is lost all control settings remain. The unit will start up in the same mode/configuration.
- Automatic Quick Warm-Up (Heat Pump Models Only)
- Fresh Air Setting:
Allows outside air in to keep the indoor environment fresh and healthy.
- Easy-To-Use LED Indicators & Buttons
- Front Office Control Function Standard on All Units

Thoughtful Engineering

- Special Energy Function:
Available on Cool, Dry, Auto-Cooling & Auto-Fan modes. The fan continues to run after the compressor shuts off keeping the room cool longer. The compressor works less for reduced operating costs and added longevity.
- Compressor Re-Start Delay:
Prevents short-cycling and extends the life of the compressor. When the compressor restarts, the unit is designed to delay 3 minutes to equalize refrigerant pressures for optimal cycling.
- Automatic Evaporator Freeze Protection
- High Temperature Protection in Heating Operation

Controls:

- Unit Mounted (Standard)
- Wired Remote Thermostat (Optional)

Warranty:

- Standard 1-year parts
- 5-year compressor warranty



ENVIROair



Available Accessories:

- Wall Sleeve & Condensate Kit
- Wired Remote Thermostat
- Standard Stamped Aluminum Rear Grille
- Extruded Architectural Grille
- Wireless Thermostat

EnviroAir 16" x 42" PTAC

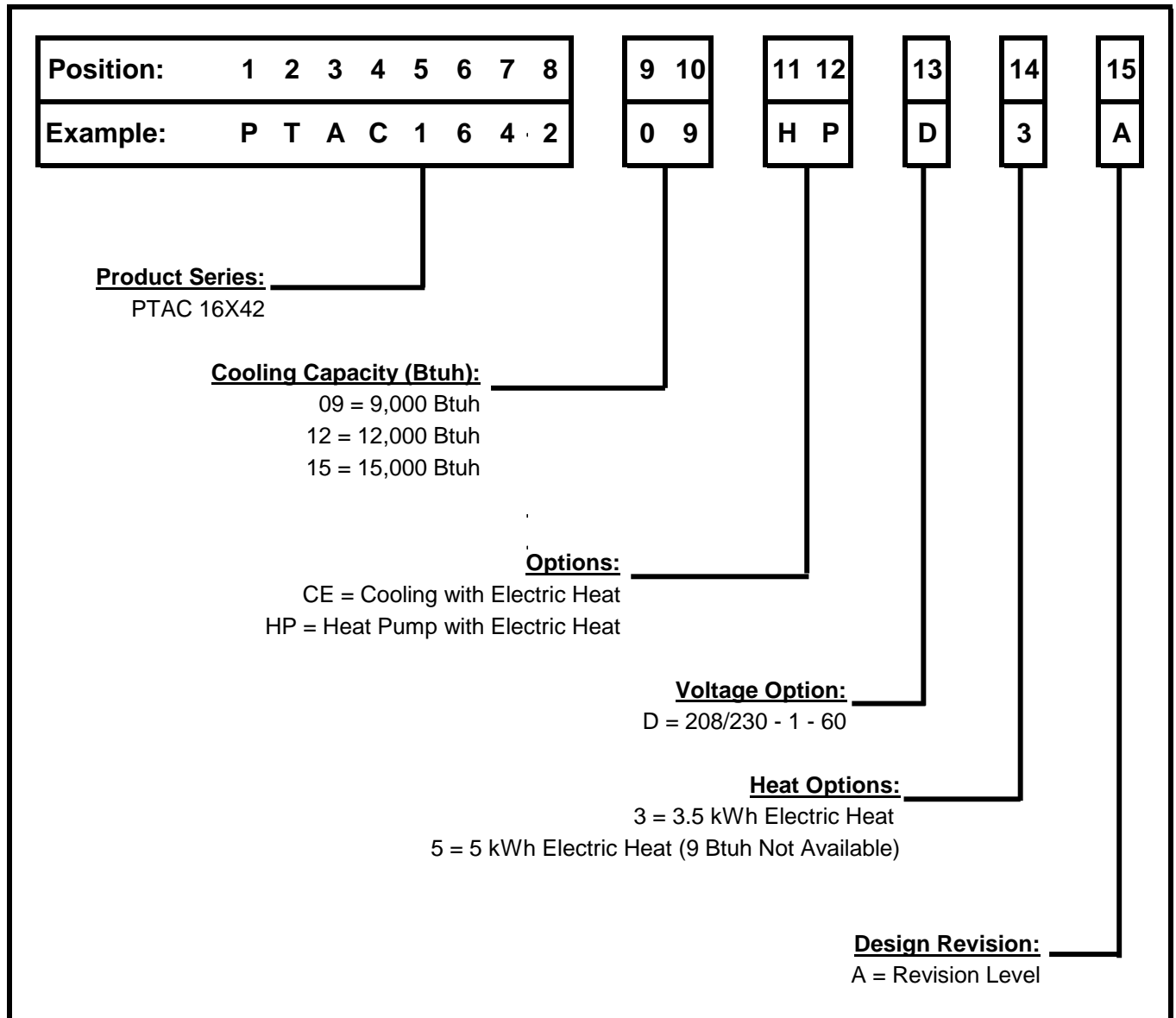
Air Conditioning units with Electric Heat (208/230 Vac, 60 Hz, 1 ph)

Cooling Btu/h	Model	Item Number	Elect. Heat	EER	Ship Wgt. lbs	COP	Trade\$
9,200/9,000	PTAC1642-09C-3	PTAC164209CED3A	3.5 kW	11.3	130.1	N/A	\$1,670
12,000/11,800	PTAC1642-12C-3	PTAC164212CED3A	3.5 kW	10.7	141.1	N/A	\$1,714
14,700/14,500	PTAC1642-15C-3	PTAC164215CED3A	3.5 kW	9.5	143.3	N/A	\$1,789
12,000/11,800	PTAC1642-12C-5	PTAC164212CED5A	5.0 kW	10.7	141.1	N/A	\$1,814
14,700/14,500	PTAC1642-15C-5	PTAC164215CED5A	5.0 kW	9.5	143.3	N/A	\$1,889

Heat Pump units with Electric Heat (208/230 Vac, 60 Hz, 1 ph)

Cooling Btu/h	Model	Item Number	Elect. Heat	EER	Ship Wgt. lbs	COP	Trade\$
9,200/9,000	PTAC1642-09H-3	PTAC164209HPD3A	3.5 kW	11.3	132.3	3.4	\$1,764
12,000/11,800	PTAC1642-12H-3	PTAC164212HPD3A	3.5 kW	10.5	143.3	3.2	\$1,865
14,700/14,500	PTAC1642-15H-3	PTAC164215HPD3A	3.5 kW	9.6	145.5	3.0	\$1,919
12,000/11,800	PTAC1642-12H-5	PTAC164212HPD5A	5.0 kW	10.5	143.3	3.2	\$1,966
14,700/14,500	PTAC1642-15H-5	PTAC164215HPD5A	5.0 kW	9.6	145.5	3.0	\$2,020

EnviroAir 16" x 42" PTAC - Decoding



EnviroAir 16" x 42" PTAC - Accessories

For Stocked and Special Order Non-Stocked Models

Item Number	Image	Description	Trade Price
17317100A01441		Wired Wall Thermostat Control	\$72
240010667		Wireless Wall Thermostat Control	\$446
12020300A00011		Wall Sleeve (Steel), Knock Down, Thermally Insulated, Drain Kit included.	\$212
12020300A00080		Stamped Steel Grille (White Finish)	\$101
240012252		Stamped Aluminum Grille (Clear Finish)	\$68
12020300A00061		Architectural Louvered Grille	\$268
SPECIAL ORDER	Consult Factory	Architectural Louvered Grille (Custom Color)	CALL FOR PRICING
240011885		Non Electrical Subbase (used to level, support sleeve)	\$97
240012505		Kit Includes: Electrical Subbase 230 V-20 A with Front Panel & Cover Plate	\$158
240012648		Kit Includes: Electrical Subbase 230 V-15 A, Front Panel & Cover Plate	\$238
240012649		Kit Includes: Electrical Subbase 230 V-30 A, Front Panel & Cover Plate	\$238
240011886		Protective Front Panel (to enclose electrical)	\$45
240011890		15 amp, 208/230V Receptacle with NEMA 6-15R Receptacle (Decorative Cover Plate)	\$97
240011889		20 amp, 208/230V Receptacle with NEMA 6-20R Receptacle (Decorative Cover Plate)	\$97
240011888		30 amp, 208/230V Receptacle with NEMA 6-30R Receptacle (Decorative Cover Plate)	\$97
240011887		Disconnect Switch module with DPST Power Disconnect Switch (Decorative Cover Plate) (Use on 208/230V & 265V)	\$121

TERMS & CONDITIONS OF SALE - GENERAL TERMS

PRICES & SPECIFICATIONS: All pricing and specifications subject to change without notice. The prices herein supersede all prior quotations, promotions and addendums.

ORDERS: All Enviroair PTAC orders will be accepted on the basis of prices in effect at the time the order is received. No order or contract will become an obligation on our part until accepted by the General Sales Department. ECR International shall not be liable for any delay or failure in the delivery or shipment of goods due to any cause or causes beyond its control.

All Enviroair PTAC models that are not stocked are considered Special Order Products. Once such a special order has been accepted and acknowledged by the General Sales Department, **a 100% cancellation fee will apply.**

LEAD TIMES: Lead times for special order products is 8-12 weeks. Customers are encouraged to check with the factory for product availability. **ECR will not carry inventory of special models.**

LARGE JOBS: Please consult factory for pricing and availability for any special-order models or more than 10 systems.

TAXES: Add to the prices and terms quoted any manufacturers' or sales tax payable on the transaction under any effective statute. All orders must include sales tax or resale certificate of sales tax exemption (If not already on file).

SHIPMENTS

F.F.A. 12 units or more with accessories east of Mississippi River. West of Mississippi River add \$10 per unit.

F.O.B. 11 units or less from ECR INTERNATIONAL - FACTORY OR WAREHOUSE

SALES ORDER INFORMATION CHECK LIST

The following information must be included on equipment or parts orders to insure proper shipment & invoicing:

- | | |
|--|--|
| 1) Purchase Order Number | 7) Pricing |
| 2) Bill to Address | 8) Product Description (Model, Size, etc.) |
| 3) Ship to Address | 9) Electrical (Operating Voltage, Cycles, Phases, etc.) |
| 4) Method of Shipment (trailer load, UPS) | 10) Non-Standard Equipment (Indicate "Optional" when substituted for standard equipment at extra cost listed. Indicate added to standard equipment.) |
| 5) Requested Ship Date | 11) Kits or Parts (Orders for kits or parts must indicate equipment size and series.) |
| 6) Special Instructions ("Carrier to call...") | |

Send orders to:

E-mail: ecrorderentry@ecrinternational.com

Fax: (315) 724-9319

Please note the following Remit to Address:

**ECR International, Inc.
P.O. Box 8000 Department 039
Buffalo, NY 14267**

U.S. DISTRIBUTOR - RETURN MATERIAL POLICY

Prior Approval Required - All returns for exchange, credit, repair service or warranty claim must be approved by ECR International and require an RMA number prior to return of the material. A request must be completed via the online web portal. Please log on to www.ecrcustomerportal.com to complete your request for return. If you do not already have access to the customer web portal, please contact ECR International Customer Service at 1-800-325-5479 to be set-up.

Eligibility – An RMA Request must be received within 60 days from the date of invoice for returns of New & Unused product in original packaging. A restocking fee of 15% will be charged for all new and unused returns that are approved for return. Special Order Products (items not offered as standard in ECR International trade price book) are not eligible for return as new and unused product. Request for Warranty Returns must be made within the period covered by the warranty and must fall under the terms and conditions specified in the warranty.

Repair Service - Request for repair or rework of product damaged by customer is classified as Repair Service. Repair Service is billed at \$75.00 per hour for labor and net price for parts used in repair/rework. ECR International's Return Material (RM) department will evaluate the items returned for repair service. The customer will receive an estimate for the dollar amount, determined by ECR International's RM department, required to complete the repairs requested. A Purchase Order (PO) from the customer for that amount will be required before any work is performed.

RMA Expiration Parts - Once the RMA number is issued, the product must be returned within 60 days of the RMA date, or the RMA will be canceled. Products approved for return that are received after 60 days from the RMA date will not be accepted.

Shipping & Packaging - All returns must have a valid RMA number clearly displayed on the exterior of the package or the package will not be accepted. All returns of new and unused product must be in the original packaging. All returns must be shipped prepaid by the customer unless otherwise directed by ECR as indicated on the RMA Verification. Ship all approved return material to the facility indicated on the approved RMA Request by the date indicated.

Replacement Product - If replacement product is desired it must be indicated on the RMA Request. A PO# is required for the replacement shipment and must be indicated on the RMA Request. All replacement products will be invoiced at the time of shipment. ECR will pay the ground freight for all warranty replacements.

Application of Credit - Credit for returned product will be applied to the customer's account (less restocking fees for New and Unused returns) only after confirmation of receipt by ECR and inspection of the product. Issuance of a credit for a partial return of product does not relieve the customer from the obligation to remit payment for the merchandise not returned in accordance with the payment terms referenced on the customer's invoice(s). Customer will have the option to have any product that is denied for credit returned at their expense.

Returning Installed Finished Goods (Complete boilers, furnaces, A/C units etc.)

- Equipment that is already installed should be repaired not replaced. Exceptions: leaking cast iron boilers in their first year or leaking water tanks. Leaking drain valves on water tanks are replaceable, make sure the leak is not on the valve. Tanks returned with the only leak being on the valve will be denied.
- Cast iron blocks (not complete boilers) older than one year and Indirect tanks that are leaking do not require prior approval. Simply type "Leaking" into the Authorization field and it will be accepted. Complete Cast iron boilers within their first year will still require prior authorization for full boiler replacement.
- Water leaks on copper and condensing boilers are repairable and will require prior authorization for any reason for removal.
- To guarantee credit, if a situation arises where equipment does need to be replaced, **prior authorization** from ECR is required. This will ensure that ECR has visibility to the problem and has had an opportunity to correct it prior to removal. *All equipment considered for removal should first be brought to the attention of Technical Support at 1-800-253-7900.*
- If approved, an authorization number will be given that will need to be entered in the RMA on the Customer Portal.
- For equipment that is removed from service without prior authorization by ECR, contact Customer Service. They will evaluate the circumstance and can issue a conditional RMA. The equipment will be tested in our lab to determine if removal was warranted and if credit will be given.

RMA Expiration Equipment - Once the RMA number is issued, the product must be returned within 30 days of the RMA date, or the RMA will be canceled. Products approved for return that are received after 30 days from the RMA date will not be accepted.



2201 Dwyer Avenue, Utica, NY 13501
Tel. 800 325 5479
www.ecrinternational.com

All specifications subject to change without notice.
©2020 ECR International, Inc.
PN 240011076 REV. G [04/02/2020]