



16" x 42" Packaged Terminal Air Conditioning & Heat Pumps Trade Price Book 2018

Effective January 1, 2018



Cooling Range & Heating Range: 9,000 – 15,000 Btuh

3.5 - 5 kWh Electric Heat*

***3.5 kWh Stocked Standard**



ECR International: 2201 Dwyer Avenue, Utica, NY 13501
Tel. 315 797 1310 or 800 325 5479 Fax. 315 724 9319 www.ecrinternational.com

P/N 240011076 - Rev. D

Terms of Sale and RMA Policy

GENERAL TERMS & CONDITIONS OF SALE

PRICES & SPECIFICATIONS: All pricing and specifications subject to change without notice; prices herein supersede all prior quotations, promotions and addendums.

ORDERS: All Enviroair PTAC orders will be accepted on the basis of prices in effect at the time the order is received. No order or contract will become an obligation on our part until accepted by the General Sales Department. ECR International shall not be liable for any delay, or failure in the delivery or shipment of goods, due to any cause or causes beyond its control. All Enviroair PTAC models that are not stocked are considered Special Order Products. Once such a special order has been accepted and acknowledged by the General Sales Department, **a 100% cancellation fee will apply.**

LEAD TIMES: Lead times for special order products is 8-12 weeks. Customers are encouraged to check with the factory for product availability. **ECR will not carry inventory of special models.**

LARGE JOBS: Please consult the factory for pricing and availability for any special order models or more than 10 systems.

TAXES: Add to the prices and terms quoted any manufacturers' or sales tax payable on the transaction under any effective statute. All orders must include sales tax or resale certificate of sales tax exemption (If not already on file).

SHIPMENT

F.F.A: 12 units or more with accessoires east of Mississippi River. West of Mississippi River add \$10 per unit

F.O.B: 11 units or less from ECR International - Factory or Warehouse

ORDER INFORMATION CHECKLIST

The following information must be included on equipment or parts orders to insure proper shipment & invoicing:

(Effective August 1, 2017)

2) Bill To Address

3) Ship To Address

4) Method of Shipment (i.e. - trailer load, UPS, etc.)

5) Requested Ship Date

6) Special Instructions (i.e. - "Carrier to call...")

7) Pricing

8) Product Description (i.e. - Model, Size, Series, etc.)

9) Electrical Characteristics (i.e. - Operating Voltage, Cycles, Phases, etc.)

10) Non-Standard Equipment (Indicate "Optional" when substituted for standard equipment at extra cost listed. Indicate "Additional" when added to standard equipment).

11) Kits or Parts (Orders for kits/parts must minimally indicate equipment size & series, complete model number preferred.

12) Submit order to: **ECRorderentry@ecrinternational.com**
OR FAX: 1-866-432-7329

13) Remit To Address: **ECR International, Inc.**
P.O. Box 8000 Department 039
Buffalo, NY 14267

RMA POLICY

To assist in providing the best service to our valued customers, ECR International has developed the following guidelines to help you in the unlikely event that you will need to return merchandise purchased from us. These guidelines have been developed after carefully reviewing common industry practice. We trust that you find them fair and easy to follow.

Prior Approval Required - All returns for warranty claims must be approved by ECR and require a RMA number prior to the return of the material. A request must be completed via ECR International's online web portal. Please logon to www.ecrcustomerportal.com (hyperlink below) to complete your request for return. If you do not already have access to the customer web portal please contact ECR Customer Service at 1-800-325-5479 to be set up.

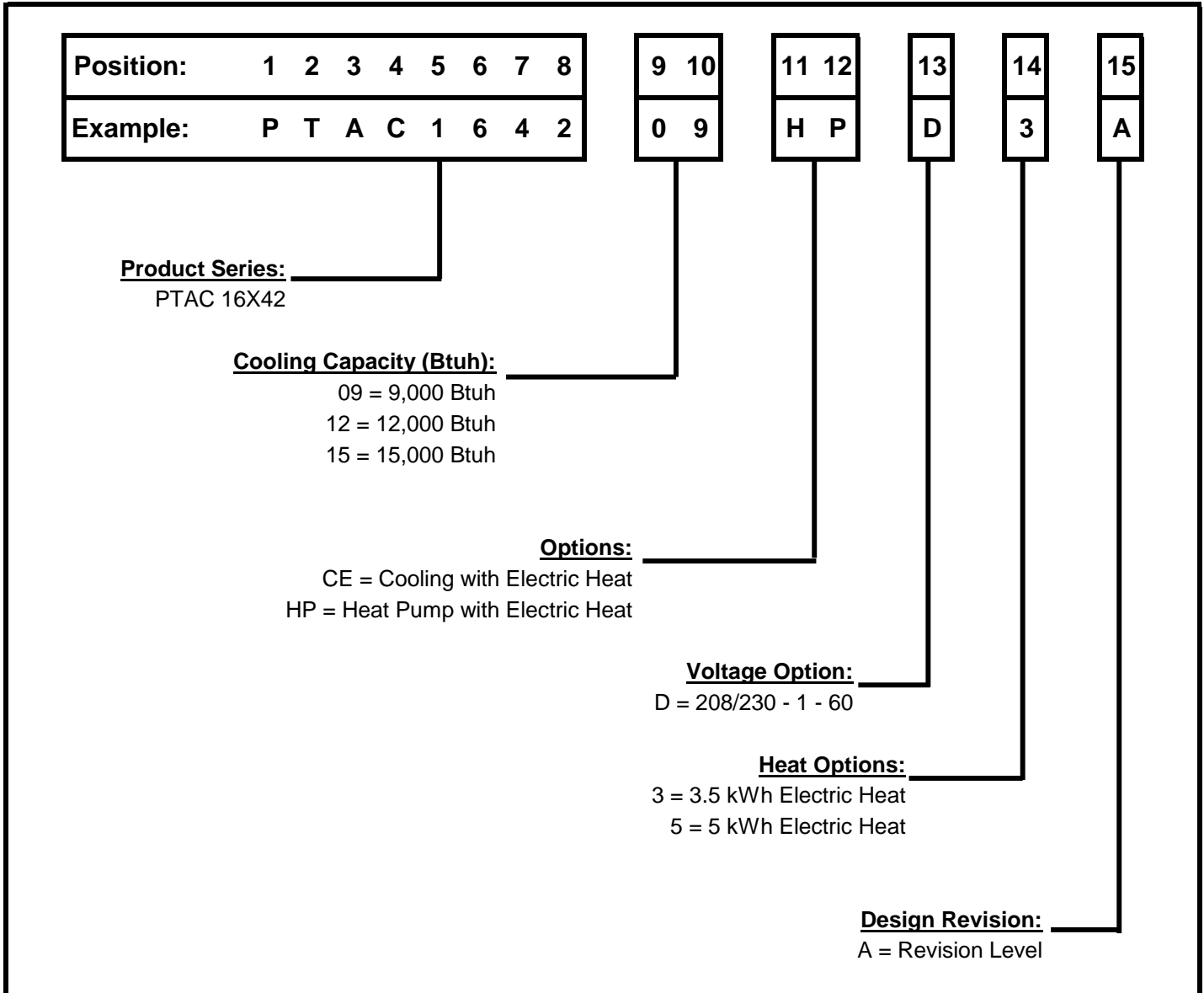
Eligibility - Special Order Products are not eligible for return as new and unused product. Request for Warranty Returns must be made within the period covered by the warranty and must fall under the terms and conditions specified in the warranty.

RMA Expiration - Once the RMA # is issued, the product must be returned within 90 days of the RMA date, or the RMA will be canceled. Products approved for return that are received after 90 days from the RMA date will not be accepted.

Shipping & Packaging - All returns must have a valid RMA number clearly displayed on the exterior of the package or the package will not be accepted. All returns must be shipped prepaid by the customer unless otherwise directed by ECR. Ship all approved return material to the facility indicated on the approved RMA.

<http://www.ecrcustomerportal.com>

EnviroAir 16" x 42" PTAC Decoding



EnviroAir 16" x 42" PTAC

Stocked Models

**Air Conditioning units with electric heat (3.5 Kwh)
Voltage (230/208V, 60Hz, 1Ph)**

Btu/h	Model Number	Item Number	Electric Heat	Trade Price
9,200/9,000	PTAC1642-09C-3	PTAC164209CED3A	3.5 kWh	\$1,259
12,000/11,800	PTAC1642-12C-3	PTAC164212CED3A	3.5 kWh	\$1,293
14,700/14,500	PTAC1642-15C-3	PTAC164215CED3A	3.5 kWh	\$1,349

**Heat Pump units with electric heat (3.5 Kwh)
Voltage (230/208V, 60Hz, 1Ph)**

Btu/h	Model Number	Item Number	Electric Heat	Trade Price
9,200/9,000	PTAC1642-09H-3	PTAC164209HPD3A	3.5 kWh	\$1,330
12,000/11,800	PTAC1642-12H-3	PTAC164212HPD3A	3.5 kWh	\$1,406
14,700/14,500	PTAC1642-15H-3	PTAC164215HPD3A	3.5 kWh	\$1,447

Non-Stock Special Order Models

**Air Conditioning units with electric heat
Voltage (230/208V, 60Hz, 1Ph)**

Consult Factory for minimum order quantity requirements and availability

9,200/9,000	PTAC1642-09C-5	PTAC164209CED5A	5.0 kWh	\$1,335
12,000/11,800	PTAC1642-12C-5	PTAC164212CED5A	5.0 kWh	\$1,368
14,700/14,500	PTAC1642-15C-5	PTAC164215CED5A	5.0 kWh	\$1,425

**Heat Pump units with electric heat
Voltage (230/208V, 60Hz, 1Ph)**

Consult Factory for minimum order quantity requirements and availability

9,200/9,000	PTAC1642-09H-5	PTAC164209HPD5A	5.0 kWh	\$1,416
12,000/11,800	PTAC1642-12H-5	PTAC164212HPD5A	5.0 kWh	\$1,482
14,700/14,500	PTAC1642-15H-5	PTAC164215HPD5A	5.0 kWh	\$1,523

EnviroAir 16" x 42" PTAC

Accessories for both Stocked and Special Order Models		
Description	Item Number	Trade Price
Wired Wall Thermostat Control	17317100A01441	\$68
Wireless Wall Thermostat Control	240010667	\$420
Wall Sleeve (Steel), Knock Down, Thermally Insulated, Drain Kit included.	12020300A00011	\$200
Aluminum Louvered Grille	12020300A00080	\$95
Architectural Louvered Grille	12020300A00061	\$252
Architectural Louvered Grille (Custom Color)	Consult Factory	
Non Electrical Subbase (used to level, support sleeve)	240011885	\$91
Protective Front Panel (to enclose electrical)	240011886	\$43
15 amp, 208/230V Receptacle with NEMA 6-15R Receptacle (Decorative Cover Plate)	240011890	\$91
20 amp, 208/230V Receptacle with NEMA 6-20R Receptacle (Decorative Cover Plate)	240011889	\$91
30 amp, 208/230V Receptacle with NEMA 6-30R Receptacle (Decorative Cover Plate)	240011888	\$91
Disconnect Switch module with DPST Power Disconnect Switch (Decorative Cover Plate) (Use on 208/230V & 265V)	240011887	\$114

Standard EMI Limited Product Warranty

**EMI (COMFORTWAVE CHILLED WATER, ENVIROAIR PTAC)
RETROAIRE (PTAC, VPRC/H, RQTH, WATER SOURCE HEAT PUMP CONSOLES)
LIMITED WARRANTY**

Effective Date September 1, 2017

**THIS LIMITED WARRANTY GIVES THE ORIGINAL PURCHASER ONLY SPECIFIC LEGAL RIGHTS AND YOU
MAY ALSO HAVE OTHER LEGAL RIGHTS WHICH VARY FROM STATE-TO-STATE AND PROVINCE-TO-
PROVINCE**

Keep this warranty certificate and the installation manual supplied with your unit for future reference.

Our Warranty

By this warranty statement ("Limited Warranty"), ECR International, Inc. ("ECR") issues limited warranties from the date of installation of the applicable EMI Product ("Product") to the Original Purchaser (as defined herein), subject to the terms and conditions stated below. As used in this Limited Warranty "Original Purchaser" shall mean, the end-user that purchased the new Product directly (a) from the EMI brand dealer; or (b) in the case of a newly constructed home, from the contractor who purchased such new Product directly from an EMI brand dealer or wholesaler for installation and use in the newly constructed home.

EMI/RETROAIRE COMMERCIAL AND RESIDENTIAL LIMITED WARRANTY

The following limited warranty shall apply to only the Original Purchaser, at original installation site, of the EMI/Retroaire Product, used without interruption by the Original Purchaser.

ECR warrants its Product used in commercial and residential applications to be free from defects in material and workmanship under normal usage for a period of one (1) year from the date of original installation. In the event that any part of such product is found to be defective in material or workmanship during this one-year period, then ECR will repair or replace, at its option, the defective part. Labor charges to diagnose, troubleshoot, remove and install repaired or replaced parts are the responsibility of the Original Purchaser along with any freight charges.

Unit Compressors of such Product shall be free from defects in materials and workmanship under normal usage and maintenance for a period of five (5) years from the date of original installation. In the event that the Unit Compressor is found to be defective in material or workmanship during this period, then ECR will repair or replace, at its option, the defective part. Labor charges to diagnose, troubleshoot, remove and install repaired or replaced parts are the responsibility of the Original Purchaser along with any freight charges.

LIMITATIONS/EXCLUSIONS – APPLIES TO ALL WARRANTIES

1. ECR will under no circumstances be responsible for and does not warrant damages or costs due to or arising from misapplication or misuse, improper installation or service,

components not supplied or approved by ECR, including, without limitation, indoor and outdoor units supplied by others, installation and normal maintenance such as, but not limited to, replacing air filters, cleaning, air flow adjustments, Products manufactured or distributed by ECR but installed outside the United States and Canada, damages from unauthorized alteration, application or improper operation, the failure of external wiring or other attachments and accessory products not integral to the Product or the use of parts not supplied or designated by ECR, damages or repairs as a consequence of shipping or handling, damages caused by faulty or interrupted power supply or electrical service, or damages caused by acts of God including, but not limited to, wind, hail, floods, lightening, earthquakes or other conditions beyond the control of ECR.

2. For all sales not subject to the Magnuson-Moss Warranty Act, there are no implied warranties of merchantability or fitness for a particular purpose, all of which are hereby specifically disclaimed. For all other sales, all implied warranties of merchantability and/or fitness for any particular purpose are limited in duration to the period of this Limited Warranty. The rights and remedies provided herein are exclusive and constitute the entire contract. This limited warranty and any optional extended warranties are granted only to the Original Purchaser and become null and void if payment for the goods or product is in default. This Limited Warranty is not transferable.

3. This Limited Warranty in no way can be considered as a guarantee of workmanship of an installer or repairman connected with the installation or service of the Product or as imposing on ECR liability of any nature for unsatisfactory performance as a result of faulty workmanship in the installation or service of the Product, which liability is expressly disclaimed.

4. ECR EXPRESSLY DISCLAIMS, AND IN NO EVENT SHALL ECR BE LIABLE (WHETHER FOR BREACH OF THIS LIMITED WARRANTY OR CONTRACT, FOR STRICT LIABILITY FOR NEGLIGENCE, OR OTHERWISE), FOR ANY SPECIAL, INCIDENTAL, PUNITIVE OR CONSEQUENTIAL DAMAGES, INCLUDING, WITHOUT LIMITATION, DAMAGES FOR LOSS OF PROFITS, LOSS OF GOODWILL, LOSS OF TIME OR CONVENIENCE, LOSS OF USE OF THE PRODUCT, THE COST OF A PRODUCT

Standard EMI Limited Product Warranty

**EMI (COMFORTWAVE CHILLED WATER, ENVIROAIR PTAC)
RETROAIRE (PTAC, VPRC/H, RQTH, WATER SOURCE HEAT PUMP CONSOLES)
LIMITED WARRANTY**

Effective Date September 1, 2017

**THIS LIMITED WARRANTY GIVES THE ORIGINAL PURCHASER ONLY SPECIFIC LEGAL RIGHTS AND YOU
MAY ALSO HAVE OTHER LEGAL RIGHTS WHICH VARY FROM STATE-TO-STATE AND PROVINCE-TO-
PROVINCE**

Keep this warranty certificate and the installation manual supplied with your unit for future reference.

RENTAL, COSTS OF GASOLINE, ELECTRICITY, TELEPHONE, TRAVEL OR LODGING, OR THE LOSS OF PERSONAL OR COMMERCIAL PROPERTY, WHETHER OR NOT ECR HAS BEEN ADVISED OF THE POSSIBILITY OF ANY SUCH DAMAGES.

PLEASE NOTE: Some states do not allow the exclusion or limitation of incidental or consequential damages, or limitations on how long an implied warranty lasts, so the above limitations and exclusions may not apply to you.

5. In no event shall ECR's obligations under this Limited Warranty exceed the purchase price of the Product. Any repairs or replacement performed under this limited warranty will apply to the original warranty period only and shall not in any way extend the statute of limitations for claims under this Limited Warranty.

MISCELLANEOUS

The Magnuson-Moss Warranty Act applies to "consumer" sales as contrasted with "commercial" sales. A consumer sale is one to a buyer for personal, family or household purposes and not for the purpose of resale.

By "implied warranties" we mean ones the law presumes to have been given by the seller even though they are not set out in writing.

"Fitness for a particular purpose" means the seller knows the particular purpose for which the buyer requires the goods, and the buyer relies on the seller's skill and judgment in making the purchase.

"Merchantable" means that the product is fit for the ordinary purposes for which that kind of product is used.

"Incidental" damages include expenses of inspection, obtaining substitute goods, transportation, etc.

"Consequential" damages include injury to persons or property resulting from a breach of warranty, and any loss from general or particular requirements known to us and which you cannot reasonably prevent.

If any provision of this Limited Warranty shall be determined to be illegal, unconscionable or unenforceable, all other terms and provisions hereof shall nevertheless remain effective and shall be enforced to the fullest extent permitted by law. The warranties made under this Limited Warranty are exclusive and may not be altered, enlarged or changed by a distributor, dealer, or other person whatsoever.

PROCEDURE FOR OBTAINING WARRANTY SERVICE

For prompt warranty service, notify the installer who, in turn, will notify the EMI distributor from whom such installer purchased the Product. If this action does not result in warranty service, the Original Purchaser or installer should contact ECR Customer Service (see contact information below), giving full particulars in support of the claim. Alleged defective part(s) must be returned through trade channels in accordance with ECR's procedure currently in force for handling returned goods for the purpose of inspection or determining the cause of failure. ECR will furnish the new part(s) to an authorized EMI distributor who, in turn, will furnish the part(s) to the contractor who installed the Product.

ECR International, Inc.

2201 Dwyer Ave. • P.O. Box 4729 • Utica, New York

13504-4729 Ph: 315/797-1310

Customer Service Fax: 315/724-9319

E-Mail: info@ecrinternational.com

Web: www.ecrinternational.com

PN 240000278, Rev C



ECR **international**

EST. 1928

A Family of Heating & Cooling Brands.

ECR International, Inc.
2201 Dwyer Avenue
Utica, NY 13501

ECR Customer Service & Technical Services

Phone: (800) 325-5479 & Fax: (866) 432-7329

www.emiretroaire.com

PN 240011076 Rev D