

Trade Price Book - 2019

EMI  Presents

Effective 3/25/2019

ENVIROair

16" x 42" Packaged Terminal Air Conditioning & Heat Pumps



**Cooling Range & Heating Range: 9,000 - 15,000 Btuh
3.5 - 5 kWh Electric Heat**



2201 Dwyer Avenue, Utica, NY 13501
Tel. 315 797 1310
www.ecrinternational.com

All specifications subject to change without notice.
©2019 ECR International, Inc.
PN 240011076 REV. E [3/11/2019]

Terms of Sale and RMA Policy

GENERAL TERMS & CONDITIONS OF SALE

PRICES & SPECIFICATIONS: All pricing and specifications subject to change without notice; prices herein supersede all prior quotations, promotions and addendums.

ORDERS: All Enviroair PTAC orders will be accepted on the basis of prices in effect at the time the order is received. No order or contract will become an obligation on our part until accepted by the General Sales Department. ECR International shall not be liable for any delay, or failure in the delivery or shipment of goods, due to any cause or causes beyond its control.

All Enviroair PTAC models that are not stocked are considered Special Order Products. Once such a special order has been accepted and acknowledged by the General Sales Department, **a 100% cancellation fee will apply.**

LEAD TIMES: Lead times for special order products is 8-12 weeks. Customers are encouraged to check with the factory for product availability. **ECR will not carry inventory of special models.**

LARGE JOBS: Please consult the factory for pricing and availability for any special order models or more than 10 systems.

TAXES: Add to the prices and terms quoted any manufacturers' or sales tax payable on the transaction under any effective statute. All orders must include sales tax or resale certificate of sales tax exemption (If not already on file).

SHIPMENT

F.F.A: 12 units or more with accessoires east of Mississippi River. West of Mississippi River add \$10 per unit

F.O.B: 11 units or less from ECR International - Factory or Warehouse

ORDER INFORMATION CHECKLIST

The following information must be included on equipment or parts orders to insure proper shipment & invoicing:

(Effective August 1, 2017)

2) Bill To Address

3) Ship To Address

4) Method of Shipment (i.e. - trailer load, UPS, etc.)

5) Requested Ship Date

6) Special Instructions (i.e. - "Carrier to call...")

7) Pricing

8) Product Description (i.e. - Model, Size, Series, etc.)

9) Electrical Characteristics (i.e. - Operating Voltage, Cycles, Phases, etc.)

10) Non-Standard Equipment (Indicate "Optional" when substituted for standard equipment at extra cost listed. Indicate "Additional" when added to standard equipment).

11) Kits or Parts (Orders for kits/parts must minimally indicate equipment size & series, complete model number preferred.

12) Submit order to: **ECRorderentry@ecrinternational.com**
OR FAX: 1-866-432-7329

13) Remit To Address: **ECR International, Inc.**
P.O. Box 8000 Department 039
Buffalo, NY 14267

RMA POLICY

To assist in providing the best service to our valued customers, ECR International has developed the following guidelines to help you in the unlikely event that you will need to return merchandise purchased from us. These guidelines have been developed after carefully reviewing common industry practice. We trust that you find them fair and easy to follow.

Prior Approval Required - All returns for warranty claims must be approved by ECR and require a RMA number prior to the return of the material. A request must be completed via ECR International's online web portal. Please logon to www.ecrcustomerportal.com (hyperlink below) to complete your request for return. If you do not already have access to the customer web portal please contact ECR Customer Service at 1-800-325-5479 to be set up.

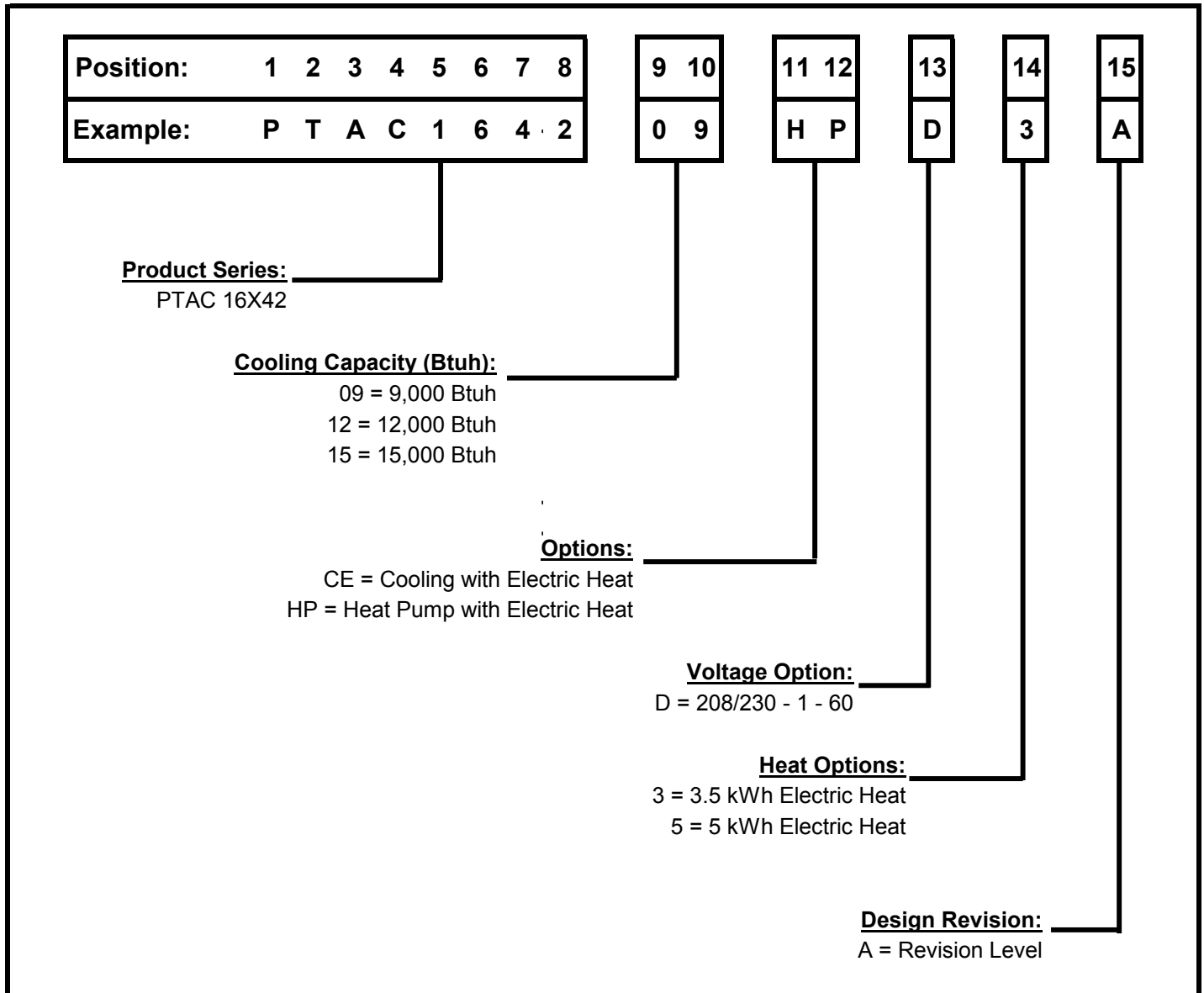
Eligibility - Special Order Products are not eligible for return as new and unused product. Request for Warranty Returns must be made within the period covered by the warranty and must fall under the terms and conditions specified in the warranty.

RMA Expiration - Once the RMA # is issued, the product must be returned within 90 days of the RMA date, or the RMA will be canceled. Products approved for return that are received after 90 days from the RMA date will not be accepted.

Shipping & Packaging - All returns must have a valid RMA number clearly displayed on the exterior of the package or the package will not be accepted. All returns must be shipped prepaid by the customer unless otherwise directed by ECR. Ship all approved return material to the facility indicated on the approved RMA.

<http://www.ecrcustomerportal.com>

EnviroAir 16" x 42" PTAC Decoding



EnviroAir 16" x 42" PTAC

Stocked Models

**Air Conditioning units with electric heat (3.5 Kwh)
Voltage (230/208V, 60Hz, 1Ph)**

Btu/h	Model Number	Item Number	Electric Heat	Trade Price
9,200/9,000	PTAC1642-09C-3	PTAC164209CED3A	3.5 kWh	\$1,574
12,000/11,800	PTAC1642-12C-3	PTAC164212CED3A	3.5 kWh	\$1,616
14,700/14,500	PTAC1642-15C-3	PTAC164215CED3A	3.5 kWh	\$1,686
12,000/11,800	PTAC1642-12C-5	PTAC164212CED5A	5.0 kWh	\$1,710
14,700/14,500	PTAC1642-15C-5	PTAC164215CED5A	5.0 kWh	\$1,781

**Heat Pump units with electric heat (3.5 Kwh)
Voltage (230/208V, 60Hz, 1Ph)**

Btu/h	Model Number	Item Number	Electric Heat	Trade Price
9,200/9,000	PTAC1642-09H-3	PTAC164209HPD3A	3.5 kWh	\$1,663
12,000/11,800	PTAC1642-12H-3	PTAC164212HPD3A	3.5 kWh	\$1,758
14,700/14,500	PTAC1642-15H-3	PTAC164215HPD3A	3.5 kWh	\$1,809
12,000/11,800	PTAC1642-12H-5	PTAC164212HPD5A	5.0 kWh	\$1,853
14,700/14,500	PTAC1642-15H-5	PTAC164215HPD5A	5.0 kWh	\$1,904

Non-Stock Special Order Models

**Air Conditioning units with electric heat
Voltage (230/208V, 60Hz, 1Ph)**

Consult Factory for minimum order quantity requirements and availability

9,200/9,000	PTAC1642-09C-5	PTAC164209CED5A	5.0 kWh	\$1,669
Heat Pump units with electric heat Voltage (230/208V, 60Hz, 1Ph)				
Consult Factory for minimum order quantity requirements and availability				
9,200/9,000	PTAC1642-09H-5	PTAC164209HPD5A	5.0 kWh	\$1,770

EnviroAir 16" x 42" PTAC

Accessories for both Stocked and Special Order Models

Description	Item Number	Trade Price	Product Photo
Wired Wall Thermostat Control	17317100A01441	\$68	
Wireless Wall Thermostat Control	240010667	\$420	
Wall Sleeve (Steel), Knock Down, Thermally Insulated, Drain Kit included.	12020300A00011	\$200	
Stamped Steel Grille (White Finish)	12020300A00080	\$95	
Stamped Aluminum Grille (Clear Finish)	240012252	\$64	
Architectural Louvered Grille	12020300A00061	\$252	
Architectural Louvered Grille (Custom Color)	Non-stocked item. Consult Factory for Pricing and Availability		
Non Electrical Subbase (used to level, support sleeve)	240011885	\$91	
Protective Front Panel (to enclose electrical)	240011886	\$43	
15 amp, 208/230V Receptacle with NEMA 6-15R Receptacle (Decorative Cover Plate)	240011890	\$91	
20 amp, 208/230V Receptacle with NEMA 6-20R Receptacle (Decorative Cover Plate)	240011889	\$91	
30 amp, 208/230V Receptacle with NEMA 6-30R Receptacle (Decorative Cover Plate)	240011888	\$91	
Disconnect Switch module with DPST Power Disconnect Switch (Decorative Cover Plate) (Use on 208/230V & 265V)	240011887	\$114	



ECR **international**

EST. 1928

A Family of Heating & Cooling Brands.

ECR International, Inc.
2201 Dwyer Avenue
Utica, NY 13501

ECR Customer Service & Technical Services

Phone: (800) 325-5479 & Fax: (866) 432-7329

www.emiretroaire.com

PN 240011076 Rev E