

# Olsen®

# Airco®

Reliable, Efficient Oil-Fired Furnaces

## US Trade Price Book - 2021

Effective 8/9/21



Keeping Families Comfortable For More Than 60 Years

[www.olsenhvac.com](http://www.olsenhvac.com)

[www.aircofurnaces.com](http://www.aircofurnaces.com)



Manufactured by:  
ECR International Inc.  
2201 Dwyer Avenue, Utica, NY 13501  
Tel. 800 325 5479  
[www.ecrinternational.com](http://www.ecrinternational.com)  
PN 240005041 REV. K [07/13/2021]

## **CUSTOMER SUPPORT TEAM**

---

### **CUSTOMER SERVICE:**

Phone: (800) 325-5479 option #2  
Fax: (315) 724-9319  
Email Purchase Orders: [ecrorderentry@ecrinternational.com](mailto:ecrorderentry@ecrinternational.com)  
Email Inquiries: [customerservice@ecrinternational.com](mailto:customerservice@ecrinternational.com)

### **TECHNICAL SUPPORT:**

Phone: (800) 253-7900  
Fax: (866) 432-7329  
Email: [technical.support@ecrinternational.com](mailto:technical.support@ecrinternational.com)

### **MARKETING SUPPORT:**

Phone: (800) 325-5479  
Fax: (315) 733-1759  
E-mail: [marketing@ecrinternational.com](mailto:marketing@ecrinternational.com)

### **[WWW.ECRCUSTOMERPORTAL.COM](http://WWW.ECRCUSTOMERPORTAL.COM)**

#### **Your On-line Access to:**

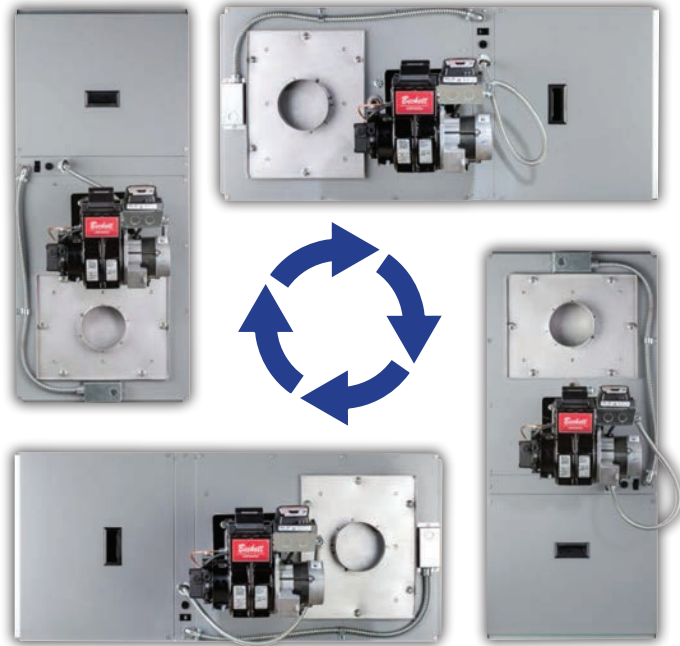
- Order Status
- Invoices
- Statements
- RMA
- Serial Number Look-Up
- Literature

## Table of Contents

<b>Oil-Fired Furnaces</b>		<b>4-15</b>
<b>UML/UMLV</b>	Multi-Position Front Flue Series (77-119 MBH)	<b>4</b>
<b>LRF/LRFV</b>	Lowboy Rear Flue Series (77-119 MBH)	<b>6</b>
<b>BCL/BFL</b>	Lowboy Rear & Front Flue Series (105-231 MBH)	<b>8</b>
<b>BML/BMLV</b>	Lowboy Rear Flue Series (70-105 MBH)	<b>10</b>
<b>HML/HMLV/HTL/HTLV</b>	Highboy Front Flue Series (70-140 MBH)	<b>12</b>
<b>WML/WMLV/MPLV</b>	Multi-Position Front Flue Series (70-140 MBH)	<b>14</b>
<b>Terms &amp; Conditions of Sale</b>		<b>16</b>
<b>Shipping &amp; Delivery Policy</b>		<b>17</b>
<b>RMA Policy</b>		<b>18</b>

## UML / UMLV Multi-Position Front Flue Series

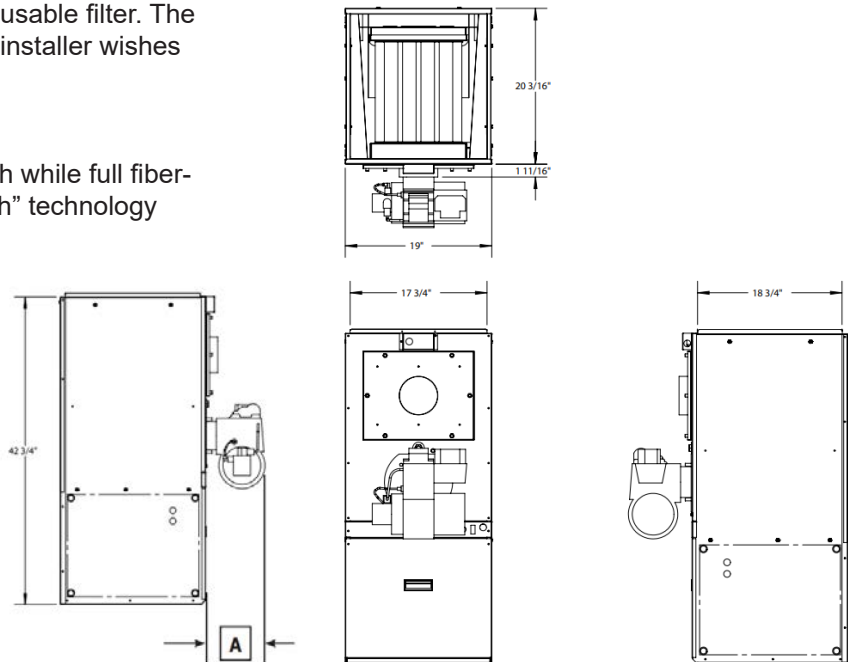
- Btu/h Input: 77,000 to 119,000
- Efficiencies: Up to 87.0% AFUE  
Refer to IOM for efficiency ratings when using alternative nozzles
- Heat Exchanger: Stainless Steel High-Efficiency Multi-Pass
- Flue Location: Front
- Chimney Vent Burner Options:
  - Beckett AFG
  - Riello 40F3
  - Carlin EZ-LF
- Direct Vent Burner Options:
  - Beckett NX
  - Riello 40BF3
  - Riello 40BF5
- Blower Motor Options:
  - ECM Variable Speed High Efficiency
  - PSC Direct Drive



### Other Features of the UML, UMLV Include:

- Select models meet ENERGY STAR® requirements
- Four Firing Rates: .55, .65, .75 and .85 gph
- Models are shipped at .65 gph firing rate with all alternative nozzles supplied with furnace.
- Front access to heat exchanger. Easy to clean.
- Includes a 16" x 20" filter rack with washable, reusable filter. The filter rack can double as a transition piece if the installer wishes to use a Buffalo Boot instead.
- Barometric damper (Chimney Vent Only)
- Listed for closet installations
- Durable 22-gauge steel cabinet ensures strength while full fiber-reinforced foil faced insulation and "cool-to-touch" technology provide quiet operation
- A/C Ready - Up to 4 Tons

Burner Model	A - Dimension*
Beckett AFG	11-1/2"
Beckett AFG w/Cover	12-3/4"
Beckett NX	12"
Beckett NX w.Cover	13-1/4"
Riello 40F3	10-1/2"
Riello 40BF3	10-5/8"
Riello 40BF5	10-7/8"
Carlin EZ-LF	11-3/4"



General Information (See IOM for Complete Instructions)								
Model	Cabinet Dimensions			Plenum Openings			Flue	Shipping Weight
	Width	Depth	Height	Supply	Side Return	Bottom Return	Diameter	
UMLA UMLVA	16"	20-3/16"	42-3/4"	17-3/4" x 18-3/4"	14" x 18"	14" x 18"	5"	188 lbs.

\* With optional vestibule (burner enclosure) for Beckett AF and Riello 40F3 burners add 8-3/4"  
 With optional vestibule (burner enclosure) for Beckett NX burners add 10-3/4"

UML / UMLV Multi-Position Front Flue Series								
Model	Item Number	Vent Type	Input/ Output (MBH)	AFUE %**	Burners	Blower	AC (Range in Tons)	Trade Price
UML80A	UML080210411106	CHIMNEY	91/77	86	BECKETT AFG	1/2 HP PSC	Up to 3 Tons	\$2,846
UMLV80A*	UML080210412106	CHIMNEY	91/77	86	BECKETT AFG	1/2 HP ECM	Up to 4 Tons	\$3,354
UML80ARF	UML080240411106	CHIMNEY	91/77	86	RIELLO 40F3	1/2 HP PSC	Up to 3 Tons	\$3,178
UMLV80ARF*	UML080240412106	CHIMNEY	91/77	86	RIELLO 40F3	1/2 HP ECM	Up to 4 Tons	\$3,684
UML80AC	UML080280411106	CHIMNEY	91/78	86	CARLIN EZ-LF	1/2 HP PSC	Up to 3 Tons	\$2,846
UMLV80AC*	UML080280412106	CHIMNEY	91/78	86	CARLIN EZ-LF	1/2 HP ECM	Up to 4 Tons	\$3,354
Less Burner Models - Order with Burner In A Box Kit From Below								
UML80ALB	UML080260411106	CHIMNEY	N/A	N/A	LESS	1/2 HP PSC	Up to 3 Tons	\$1,971
UMLV80ALB*	UML080260412106	CHIMNEY	N/A	N/A	LESS	1/2 HP ECM	Up to 4 Tons	\$2,476
UML80ALBU	UML080262411106	DIRECT	N/A	N/A	LESS	1/2 HP PSC	Up to 3 Tons	\$2,103
UMLV80ALBU*	UML080262412106	DIRECT	N/A	N/A	LESS	1/2 HP ECM	Up to 4 Tons	\$2,656

\*Indicates an ENERGY STAR® rated model.

\*\*Refer to IOM for efficiency ratings when using alternative nozzles

Four Firing Rates: .55, .65, .75 and .85 gph - Alternative nozzles furnished with furnace.

LESS - Model number is less burner. Burner must be purchased separately.

Direct Vent units require the use of Olsen/Airco specific Vent Kit and Termination.

UML / UMLV (Use Furnace Multiplier for all of the Following)			
Model	Item Number	Description	Trade Price
UML/UMLV	550003032	Combustible Floor Base (Required for Downflow refer to IOM)	\$105
UML/UMLV	240010859	Optional Beckett Burner Cover for Beckett AFG	\$194
UML/UMLV	3002237	Blocked Vent Safety Switch (Optional for US)	\$111
UML/UMLV	550003080	Burner In A Box - Beckett AFG w/ Cover-UML Chimney Vent Kit	\$919
UML/UMLV	550003430	Burner In A Box - Beckett AFG No Cover-UML/LRF Chimney Vent Kit	\$877
UML/UMLV	550003431	Burner in A Box - Riello F3 - UML/LRF Chimney Vent Kit	\$1,205
UML/UMLV	550003432	Burner in A Box - Carlin EZ-LF - UML/LRF Chimney Vent Kit	\$877
UML/UMLV	550003433	Burner in A Box - Riello BF3 - UML/LRF Direct Vent Kit	\$1,324
UML/UMLV	550003434	Burner in A Box - Riello BF5 - UML/LRF Direct Vent Kit	\$1,340
UML/UMLV	550003127	Burner in A Box - Beckett NX w/ Cover-UML Direct Vent Kit	\$1,053
UML/UMLV	550003435	Burner in A Box - Beckett NX Less Cover-UML/LRF Direct Vent Kit	\$1,007
UML/UMLV	240006909	Kit #40LKT410-10' X 4" Flex Vent, Terminal Adaptor, Sealant (Z-Flex)	\$543
UML/UMLV	240006910	Kit #40LKT415-15' X 4" Flex Vent, Terminal Adaptor, Sealant (Z-Flex)	\$716
UML/UMLV	240006911	Kit #40LKT420-20' X 4" Flex Vent, Terminal Adaptor, Sealant (Z-Flex)	\$888
UML/UMLV	28972	Vent Terminal	\$661
UML/UMLV	29231	Riser Vent Terminal	\$1,520

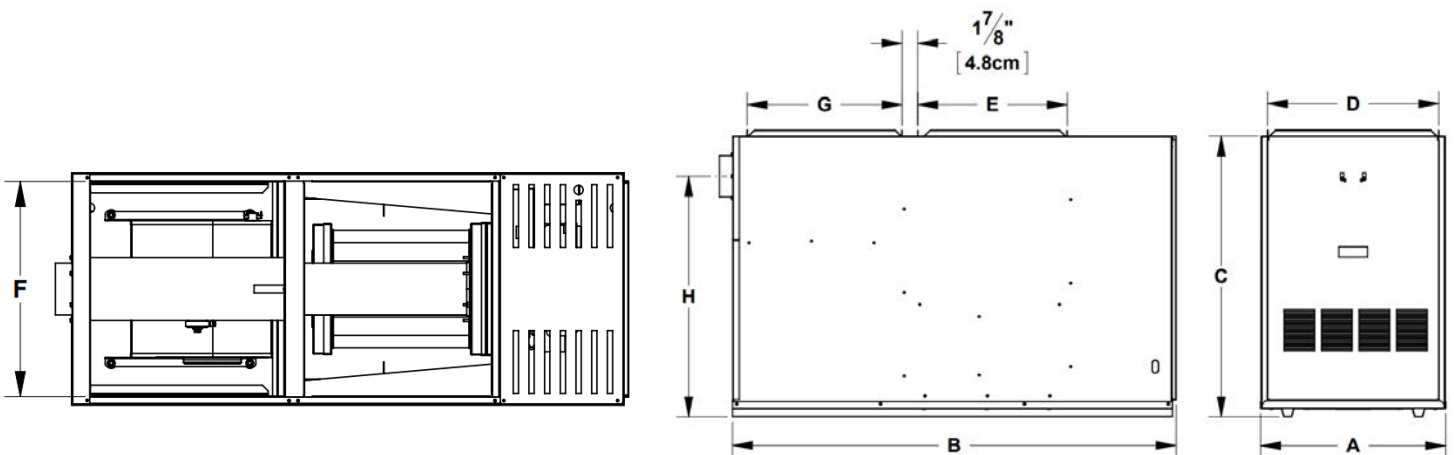
## LRF / LRFV Lowboy Rear Flue Series

- Btu/h Input: 77,000 to 119,000
- Efficiencies: Up to 86.8% AFUE  
Refer to IOM for efficiency ratings when using alternative nozzles
- Heat Exchanger: Stainless Steel High-Efficiency Multi-Pass
- Flue Location: Rear
- Chimney Vent Burner Options:
  - Beckett AFG
  - Riello 40F3
  - Carlin EZ-LF
- Direct Vent Burner Options:
  - Beckett NX
  - Riello 40BF3
  - Riello 40BF5
- Blower Motor Options:
  - ECM Variable Speed High Efficiency
  - PSC Direct Drive



### Other Features of the LRF, LRFV Include:

- Select models meet ENERGY STAR® requirements
- Four Firing Rates: .55, .65, .75 and .85 gph
- Models are shipped at .65 gph firing rate with all alternative nozzles supplied with furnace.
- Front access to heat exchanger. Easy to clean.
- Includes a 20" x 20" filter rack with washable, reusable filter.
- Barometric damper (Chimney Vent Only)
- Listed for closet installations
- Durable 22-gauge steel cabinet ensures strength while full fiber-reinforced foil faced insulation and "cool-to-touch" technology provide quiet operation
- A/C Ready - Up to 4 Tons



General Information (See IOM for Complete Instructions)								
Model	Cabinet Dimensions			Plenum Openings		Flue		Shipping Weight
	Width (A)	Depth (B)	Height (C)	Supply (D x E)	Return (F x G)	Diameter	Height (H)	
LRF LRFV	22"	53-1/2"	33-5/8"	20-1/2" x 18"	20-1/2" x 18-5/8"	5"	29"	240 lbs.

LRF / LRFV Lowboy Rear Flue Series								
Model	Item Number	Vent Type	Input/Output (MBH)	AFUE %**	Burners	Blower	AC (Range in Tons)	Trade Price
LRF80	LRF080210411006	CHIMNEY	91/78	85.9	BECKETT AFG	1/2 HP PSC	Up to 3 Tons	\$2,919
LRFV80*	LRF080210412006	CHIMNEY	91/78	85.9	BECKETT AFG	1/2 HP ECM	Up to 4 Tons	\$3,866
LRF80RF	LRF080240411006	CHIMNEY	91/77	86.4	RIELLO 40F3	1/2 HP PSC	Up to 3 Tons	\$3,248
LRFV80RF*	LRF080240412006	CHIMNEY	91/77	86.4	RIELLO 40F3	1/2 HP ECM	Up to 4 Tons	\$4,194
LRF80C	LRF080280411006	CHIMNEY	91/78	85.9	CARLIN EZ-LF	1/2 HP PSC	Up to 3 Tons	\$2,919
LRFV80C*	LRF080280412006	CHIMNEY	91/78	85.9	CARLIN EZ-LF	1/2 HP ECM	Up to 4 Tons	\$3,866
Less Burner Models - Order with Burner In A Box Kit From Below								
LRF80LB	LRF080260411006	CHIMNEY	N/A	N/A	LESS	1/2 HP PSC	Up to 3 Tons	\$2,042
LRFV80LB*	LRF080260412006	CHIMNEY	N/A	N/A	LESS	1/2 HP ECM	Up to 4 Tons	\$2,989
LRF80LBU	LRF080262411006	DIRECT	N/A	N/A	LESS	1/2 HP PSC	Up to 3 Tons	\$2,751
LRFV80LBU*	LRF080262412006	DIRECT	N/A	N/A	LESS	1/2 HP ECM	Up to 4 Tons	\$3,208

\*Indicates an ENERGY STAR® rated model.

\*\*Refer to IOM for efficiency ratings when using alternative nozzles

Four Firing Rates: .55, .65, .75 and .85 gph - Alternative nozzles furnished with furnace.

LESS - Model number is less burner. Burner must be purchased separately.

Direct Vent units require the use of Olsen/Airco specific Vent Kit and Termination.

LRF / LRFV (Use Furnace Multiplier for all of the Following)			
Model	Item Number	Description	Trade Price
LRF/LRFV	30690	Blocked Vent Safety Switch (Optional for US)	\$98
LRF/LRFV	550003430	Burner In A Box - Beckett AFG Less Cover - UML/LRF CV Kit	\$877
LRF/LRFV	550003431	Burner in A Box - Riello F3 - UML/LRF Chimney Vent Kit	\$1,205
LRF/LRFV	550003432	Burner in A Box - Carlin EZ-LF - UML/LRF Chimney Vent Kit	\$877
LRF/LRFV	550003433	Burner in A Box - Riello BF3 - UML/LRF Direct Vent Kit	\$1,324
LRF/LRFV	550003434	Burner in A Box - Riello BF5 - UML/LRF Direct Vent Kit	\$1,340
LRF/LRFV	550003435	Burner in A Box - Beckett NX Less Cover - UML/LRF Direct Vent Kit	\$1,007
LRF/LRFV	240006909	Kit #40LKT410-10' X 4" Flex Vent, Terminal Adaptor, Sealant (Z-Flex)	\$543
LRF/LRFV	240006910	Kit #40LKT415-15' X 4" Flex Vent, Terminal Adaptor, Sealant (Z-Flex)	\$716
LRF/LRFV	240006911	Kit #40LKT420-20' X 4" Flex Vent, Terminal Adaptor, Sealant (Z-Flex)	\$888
LRF/LRFV	28972	Vent Terminal	\$661
LRF/LRFV	29231	Riser Vent Terminal	\$1,520

## BCL / BFL Lowboy Rear & Front Flue Series

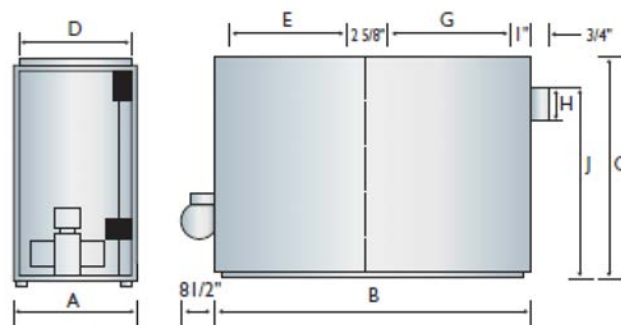
- Btu/h Input: 105,000 to 231,000
- Efficiencies: Up to 87.2% AFUE
- Heat Exchanger: Welded Steel Dual-Pass
- Flue Location: Front / Rear
- Chimney Vent Burner Options:
  - Beckett AF
  - Beckett NX
  - Riello 40F3
- Direct Vent Burner Options:
  - Beckett AFII-85
  - Beckett AFII-150
  - Riello 40BF3
- Blower Motor Options:
  - ECM Variable Speed High Efficiency
  - PSC Direct Drive
  - Belt Drive with Adjustable Motor Pulley



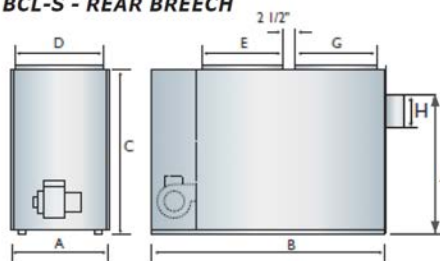
### Other Features of the BCL, BFL Include:

- Front access to heat exchanger. Easy to clean.
- Includes filter rack with washable, reusable filter(s)
  - BCL/BFL-90/100/120/130/145: One 20" x 25"
  - BCL-190/200/225: Two 20" x 25"
- Barometric damper (Chimney Vent Only)
- Durable 22-gauge steel cabinet ensures strength while full fiber-reinforced foil faced insulation and "cool-to-touch" technology provide quiet operation.
- A/C Ready- Up to 5 Tons  
(Belt drive models require an adjustable, field supplied motor pulley change.)

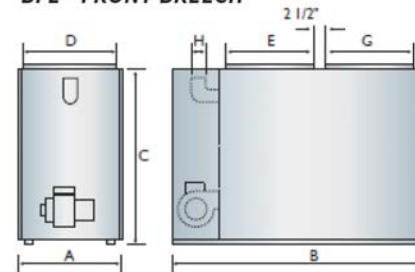
**BCL - 190/225 HIGH CAPACITY REAR BREECH**



**BCL-S - REAR BREECH**



**BFL - FRONT BREECH**



### General Information (See IOM for Complete Instructions)

Model	Cabinet Dimensions			Plenum Openings		Flue		Shipping Weight
	Width (A)	Depth (B)	Height (C)	Supply (D x E)	Return (F x G)	Diameter (H)	Height (J)	
BCL BCLB	22"	51-1/2"	41"	20-1/2" x 18-5/8"	20-1/2" x 18-5/8"	6"	37-1/4"	270 lbs.
BFL BFLB	22"	51-1/2"	41"	20-1/2" x 18-5/8"	20-1/2" x 18-5/8"	6"	38-1/4"	260 lbs.
BCL High Capacity	26"	49"	56"	24" x 22"	24" x 22"	7"	47"	450 lbs.



**BCL / BFL Lowboy Rear & Front Flue Series**

Model	Item Number	Vent Type	Input/Output (MBH)	AFUE %**	Burners	Blower	AC (Range in Tons)	Trade Price
BCLB120S2	32312062	CHIMNEY	140/117	84.4	BECKETT AF	1/3 HP BELT	N/A	\$3,298
BCL120S2	32312009	CHIMNEY	140/117	84.4	BECKETT AF	1/2 HP PSC	Up to 4 Tons	\$3,161
BCL120ST2	32312005	CHIMNEY	140/117	84.4	BECKETT AF	1 HP PSC	Up to 5 Tons	\$3,734
BCLB145S2	32314563	CHIMNEY	168/140	84	BECKETT AF	1/2 HP BELT	Up to 4 Tons^	\$3,981
BCL145S2	32314509	CHIMNEY	168/140	84	BECKETT AF	1/2 HP PSC	Up to 4 Tons	\$3,839
BCL145ST2	32314505	CHIMNEY	168/140	84	BECKETT AF	1 HP PSC	Up to 5 Tons	\$4,680
BCL190	32319070	CHIMNEY	231/194	83.7T	BECKETT AF	3/4 HP BELT	Up to 4 Tons^	\$6,725
BCL 190/225	32319072	CHIMNEY	231/194	83.7T	BECKETT AF	1 H/P BELT	Up to 5 Tons^	\$7,144
BCL100SRF2	32310017	CHIMNEY	119/102	86.2	RIELLO 40F3	1/2 HP PSC	Up to 4 Tons	\$4,127
BCL100SB2U2	32310013C	DIRECT	119/101	86	BECKETT AFII-150	1/2 HP PSC	Up to 4 Tons	\$4,228
BFLB120-2	32312045	CHIMNEY	140/114	83	BECKETT AF	1/3 HP BELT	N/A	\$3,325
BFL120-2	32312001	CHIMNEY	140/114	83	BECKETT AF	1/2 HP PSC	Up to 4 Tons	\$3,196
BFLB145NX2	32314547	CHIMNEY	168/137	83.1	BECKETT NX	1/2 HP BELT	Up to 4 Tons^	\$4,142
BFL145NX2	32314544	CHIMNEY	168/137	83.1	BECKETT NX	1/2 HP PSC	Up to 4 Tons	\$3,962
BFL100RF2	32310023	CHIMNEY	119/101	85.3	RIELLO 40F3	1/2 HP PSC	Up to 4 Tons	\$3,992
BFL100B2U2	32310015C	DIRECT	119/101	85.4	BECKETT AFII-150	1/2 HP PSC	Up to 4 Tons	\$4,484

\*\*Refer to IOM for efficiency ratings when using alternative nozzles

^Requires alternate blower pulley - field supplied

T=Thermal Efficiency

Direct Vent units require the use of Olsen/Airco specific Vent Kit and Termination.

**BCL / BFL (Use Furnace Multiplier for all of the Following)**

Model	Item Number	Description	Trade Price
BCL/BFL	240006909	Kit #40LKT410-10' X 4" Flex Vent, Terminal Adaptor, Sealant (Z-Flex)	\$543
BCL/BFL	240006910	Kit #40LKT415-15' X 4" Flex Vent, Terminal Adaptor, Sealant (Z-Flex)	\$716
BCL/BFL	240006911	Kit #40LKT420-20' X 4" Flex Vent, Terminal Adaptor, Sealant (Z-Flex)	\$888
BCL/BFL	28972	Vent Terminal	\$661
BCL/BFL	29231	Riser Vent Terminal	\$1,520

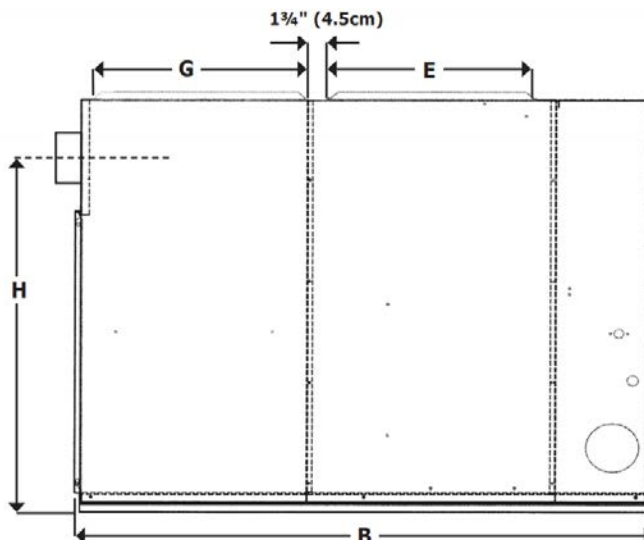
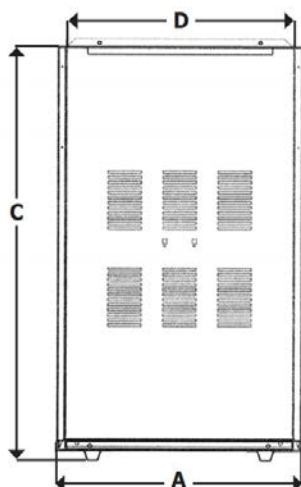
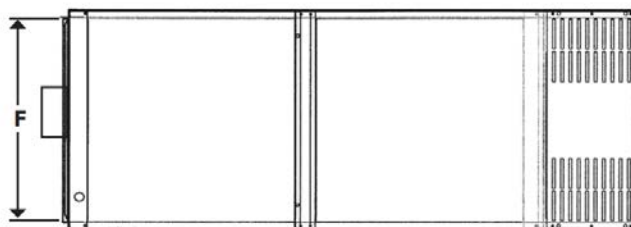
## BML / BMLV Lowboy Rear Flue Series

- Btu/h Input: 70,000 to 105,000
- Efficiencies: Up to 87.2% AFUE
- Heat Exchanger: Welded Steel Dual-Pass
- Flue Location: Rear
- Chimney Vent Burner Options:
  - Beckett AF
  - Beckett NX
  - Riello 40F3
- Direct Vent Burner Options:
  - Beckett AFII-85
  - Beckett AFII-150
  - Riello 40BF3
- Blower Motor Options:
  - ECM Variable Speed High Efficiency
  - PSC Direct Drive
  - Belt Drive with Adjustable Motor Pulley



### Other Features of the BML, BMLV Include:

- Front access to heat exchanger. Easy to clean.
- Includes filter rack with washable, reusable filter(s)  
BML-60/80/90: One 20" x 20"
- Barometric damper (Chimney Vent Only)
- Durable 22-gauge steel cabinet ensures strength while full fiber-reinforced foil faced insulation and "cool-to-touch" technology provide quiet operation.
- A/C Ready- Up to 3.5 Tons  
(Belt drive models require an adjustable, field supplied motor pulley change.)



General Information (See IOM for Complete Instructions)

Model	Cabinet Dimensions			Plenum Openings		Flue		Shipping Weight
	Width (A)	Depth (B)	Height (C)	Supply (D x E)	Return (F x G)	Diameter	Height (H)	
BML BMLB BMLV	22"	51-1/2"	32"	20-1/2" x 19"	20-1/2" x 18-1/2"	5"	26-1/4"	240 lbs.

BML / BMLV Lowboy Rear Flue Series								
Model	Item Number	Vent Type	Input/Output (MBH)	AFUE %**	Burners	Blower	AC (Range in Tons)	Trade Price
BMLB80B2	32308075	CHIMNEY	91/76	84	BECKETT AF	1/2 HP BELT	Up to 3.5 Tons <sup>^</sup>	\$3,179
BML80B2	32308070	CHIMNEY	91/76	84	BECKETT AF	1/2 HP PSC	Up to 3.5 Tons	\$3,052
BMLV80B2	32308076	CHIMNEY	91/76	84	BECKETT AF	1/2 HP ECM	Up to 3 Tons	\$4,042
BML80BRF2	32308073	CHIMNEY	91/77	85.2	RIELLO 40F3	1/2 HP PSC	Up to 3.5 Tons	\$3,395
BMLV80BRF2	32308078	CHIMNEY	91/77	85.2	RIELLO 40F3	1/2 HP ECM	Up to 3 Tons	\$4,264
BML80BB2U2	32308072C	DIRECT	91/76	84.3	BECKETT AFII-85	1/2 HP PSC	Up to 3.5 Tons	\$4,002
BMLV80BB2U2	32308077C	DIRECT	91/76	84.3	BECKETT AFII-85	1/2 HP ECM	Up to 3 Tons	\$4,712
BML80BRBU2	32308074C	DIRECT	91/78	86.1	RIELLO 40BF3	1/2 HP PSC	Up to 3.5 Tons	\$5,157
BMLV80BRBU2	32308079C	DIRECT	91/78	86.1	RIELLO 40BF3	1/2 HP ECM	Up to 3 Tons	\$5,004

\*\*Refer to IOM for efficiency ratings when using alternative nozzles

<sup>^</sup>Requires alternate blower pulley - field supplied

Three Firing Rates: .50, .65 and .75 gph - Alternative nozzles furnished with furnace.

Direct Vent units require the use of Olsen/Airco specific Vent Kit and Termination.

BML / BMLV (Use Furnace Multiplier for all of the Following)			
Model	Item Number	Description	Trade Price
BML/BMLV	240006906	Kit #40LKT310 - 10' x 3" Flex Vent, Terminal Adaptor, Sealant (Z-Flex)	\$512
BML/BMLV	240006907	Kit #40LKT315 - 15' X 3" Flex Vent, Terminal Adaptor, Sealant (Z-Flex)	\$667
BML/BMLV	240006908	Kit #40LKT320 - 20' X 3" Flex Vent, Terminal Adaptor, Sealant (Z-Flex)	\$835
BML/BMLV	29880	Low Fire Kit (.50GPH)	\$77
BML/BMLV	28972	Vent Terminal	\$661
BML/BMLV	29231	Riser Vent Terminal	\$1,520

## HML / HMLV / HTL / HTLV Highboy Front Flue Series

- Btu/h Input: 70,000 to 140,000
- Efficiencies: Up to 86.7% AFUE
- Heat Exchanger: Welded Steel Dual-Pass
- Flue Location: Front
- Chimney Vent Burner Options:
  - Beckett AF
  - Beckett NX
  - Riello 40F3
- Direct Vent Burner Options:
  - Beckett AFII-185
  - Riello 40BF3
- Blower Motor Options:
  - ECM Variable Speed High Efficiency
  - PSC Direct Drive

### Other Features of the HML, HMLV, HTL, HTLV Include:

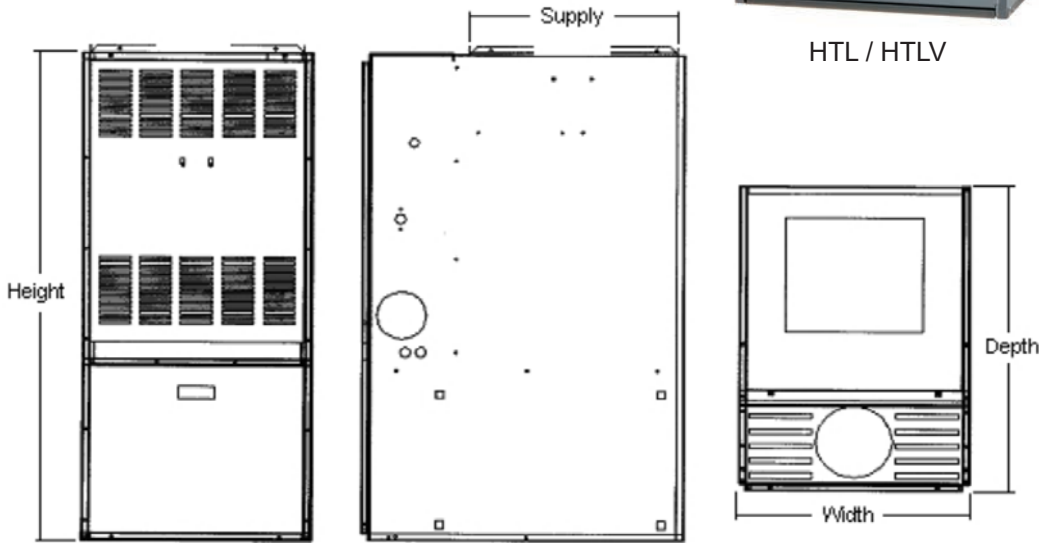
- Includes a 16" x 25" filter rack with washable, reusable filter
- Barometric damper (Chimney Vent Only)
- Durable 22-gauge steel cabinet ensures strength while full fiber-reinforced foil faced insulation and "cool-to-touch" technology provide quiet operation.
- A/C Ready - Up to 3.5 Tons



HTL / HTLV



HML / HMLV



### General Information (See IOM for Complete Instructions)

Model	Cabinet Dimensions			Plenum Openings			Flue	Shipping Weight
	Width	Depth	Height	Supply	Side Return	Bottom Return	Diameter	
HML HMLV	22"	30-3/4"	49-5/8"	20-1/2" x 20"	14" x 22"	14" x 22"	5"	210 lbs.
HTL HTLV	22"	30-3/4"	58"	20-1/2" x 20"	14" x 22"	14" x 22"	6"	270 lbs.

HML / HMLV / HTL / HTLV Highboy Front Flue Series								
Model	Item Number	Vent Type	Input/Output (MBH)	AFUE %**	Burners	Blower	AC (Range in Tons)	Trade Price
HML80C2	31308070	CHIMNEY	91/76	83.3	BECKETT AF	1/2 HP PSC	Up to 3.5 Tons	\$3,035
HMLV80C2	31308076	CHIMNEY	91/76	83.3	BECKETT AF	1/2 HP ECM	Up to 3.5 Tons	\$3,860
HML80CNX2	31308085	CHIMNEY	91/76	85.7	BECKETT NX	1/2 HP PSC	Up to 3.5 Tons	\$3,186
HMLV80CNX2	31308090	CHIMNEY	91/76	85.7	BECKETT NX	1/2 HP ECM	Up to 3.5 Tons	\$3,995
HML80CRF2	31308073	CHIMNEY	91/77	85.2	RIELLO 40F3	1/2 HP PSC	Up to 3.5 Tons	\$3,360
HMLV80CRF2	31308078	CHIMNEY	91/77	85.2	RIELLO 40F3	1/2 HP ECM	Up to 3.5 Tons	\$4,127
HML80CB2U2	31308072C	DIRECT	91/76	83.9	BECKETT AFII-85	1/2 HP PSC	Up to 3.5 Tons	\$4,085
HMLV80CB2U2	31308077C	DIRECT	91/76	83.9	BECKETT AFII-85	1/2 HP ECM	Up to 3.5 Tons	\$4,912
HML80CRBU2	31308074C	DIRECT	91/77	85.4	RIELLO 40BF3	1/2 HP PSC	Up to 3.5 Tons	\$4,495
HMLV80CRBU2	31308079C	DIRECT	91/77	85.4	RIELLO 40BF3	1/2 HP ECM	Up to 3.5 Tons	\$5,321
HTL120D2	31312070	CHIMNEY	140/117	83	BECKETT AF	1/2 HP PSC	Up to 3.5 Tons	\$3,349
HTL115DRF2	31311573	CHIMNEY	133/112	84.1	RIELLO 40F3	1/2 HP PSC	Up to 3.5 Tons	\$3,640
HTLV115DRF2	31311578	CHIMNEY	133/112	84.1	RIELLO 40F3	1/2 HP ECM	Up to 3.5 Tons	\$4,827

\*\*Refer to IOM for efficiency ratings when using alternative nozzles

Direct Vent units require the use of Olsen/Airco specific Vent Kit and Termination

HML / HMLV / HTL / HTLV (Use Furnace Multiplier for all of the Following)			
Model	Item Number	Description	Trade Price
HTL(V)/HML(V)	240006906	Kit #40LKT310 - 10' x 3" Flex Vent, Terminal Adaptor, Sealant (Z-Flex)	\$512
HTL(V)/HML(V)	240006907	Kit #40LKT315 - 15' X 3" Flex Vent, Terminal Adaptor, Sealant (Z-Flex)	\$667
HTL(V)/HML(V)	240006908	Kit #40LKT320 - 20' X 3" Flex Vent, Terminal Adaptor, Sealant (Z-Flex)	\$835
HML	29880	Low Fire Kit (.50GPH)	\$77
HTL(V)/HML(V)	28972	Vent Terminal	\$661
HTL(V)/HML(V)	29231	Riser Vent Terminal	\$1,520

## WML / WMLV / MPLV Highboy Front Flue Series

- Btu/h Input: 70,000 to 105,000 (WML/WMLV)
- Btu/h Input: 105,000 to 140,000 (MPLV)
- Efficiencies: Up to 86.8% AFUE
- Heat Exchanger: Welded Steel Dual-Pass
- Flue Location: Front
- Chimney Vent Burner Options:
  - Beckett AF
  - Beckett NX (WML/WMLV Models Only)
  - Riello 40F3 (WML/WMLV Models Only)
  - Riello 40F5 (MPLV Model Only)
- Direct Vent Burner Options:
  - Beckett AFII-185 (WML/WMLV Models Only)
  - Riello 40BF3 (WML/WMLV Models Only)
  - Beckett AF-150 (MPLV Model Only)
- Blower Motor Options:
  - Variable speed constant cfm ECM blower (MPLV Only)
  - ECM Variable Speed (WML/WMLV Models Only)
  - PSC Direct Drive (WML/WMLV Models Only)



WML / WMLV

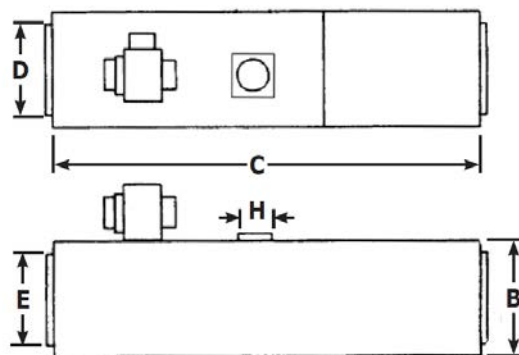


MPLV

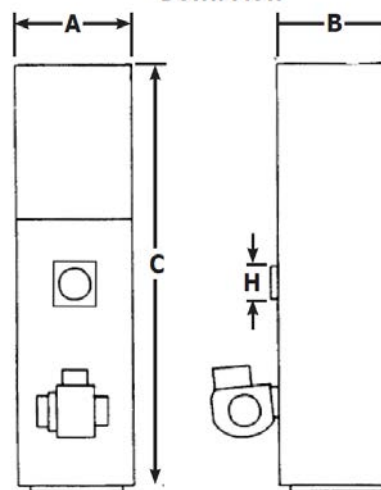
### Other Features of the WML, WMLV, MPLV Include:

- Includes a 20" x 20" filter rack with washable, reusable filter
- Barometric damper (Chimney Vent Only)
- Durable 22-gauge steel cabinet ensures strength while full fiber-reinforced foil faced insulation and "cool-to-touch" technology provide quiet operation.
- A/C Ready - Up to 3 Tons (MPLV up to 4 tons)
- Optional vestibule compartment - available for WML/WMLV factory equipped or as field installed kit.

WML-C / WMLV-C  
& MPLV-B  
Horizontal



WML-C / WMLV-C  
& MPLV-B  
Down Flow



### General Information (See IOM for Complete Instructions)

Model	Cabinet Dimensions			Plenum Openings			Flue Diameter (H)	Shipping Weight
	Width (A)	Depth (B)	Height (C)	Supply (D x E)	Side Return	Bottom Return		
WML WMLV	22"	22-1/8" *	55-1/4"	19" x 19"	18" x 18"	18" x 18"	5"	265 lbs.
MPLV	22-1/2"	22-1/4"	62"	20-1/2" x 20-1/2"	18" x 18"	18" x 18"	6"	292 lbs.

\* With optional vestibule (burner enclosure) for Beckett AF and Riello 40F3 burners add 8-3/4"  
 With optional vestibule (burner enclosure) for Beckett NX burners add 10-3/4"

WML / WMLV / MPLV Multi-Position Front Flue Series								
Model	Item Number	Vent Type	Input/Output (MBH)	AFUE %**	Burners	Blower	AC (Range in Tons)	Trade Price
WML60C2	34306080	CHIMNEY	70/59	83.3	BECKETT AF	1/2 HP PSC	Up to 3 Tons	\$3,288
WML60C2‡	34306040	CHIMNEY	70/59	83.3	BECKETT AF	1/2 HP PSC	Up to 3 Tons	\$3,638
WMLV60C2	34306076	CHIMNEY	70/59	83.3	BECKETT AF	1/2 HP ECM	Up to 3 Tons	\$4,324
WMLV60C2‡	34306046	CHIMNEY	70/59	83.3	BECKETT AF	1/2 HP ECM	Up to 3 Tons	\$4,668
WML80CNX2	34308085	CHIMNEY	91/76	85.5	BECKETT NX	1/2 HP PSC	Up to 3 Tons	\$3,360
WML80CNX2‡	34308087	CHIMNEY	91/76	85.5	BECKETT NX	1/2 HP PSC	Up to 3 Tons	\$3,552
WMLV80CNX2	34308090	CHIMNEY	91/76	85.5	BECKETT NX	1/2 HP PSC	Up to 3 Tons	\$4,396
WMLV80CNX2‡	34308092	CHIMNEY	91/76	85.5	BECKETT NX	1/2 HP PSC	Up to 3 Tons	\$4,572
WML80CRF2	34308073	CHIMNEY	91/76	83.3	RIELLO 40F3	1/2 HP ECM	Up to 3 Tons	\$3,824
WML80CRF2‡	34308086	CHIMNEY	91/76	83.3	RIELLO 40F3	1/2 HP ECM	Up to 3 Tons	\$4,070
WMLV80CRF2	34308078	CHIMNEY	91/76	83.3	RIELLO 40F3	1/2 HP ECM	Up to 3 Tons	\$4,768
WMLV80CRF2‡	34308091	CHIMNEY	91/76	83.3	RIELLO 40F3	1/2 HP ECM	Up to 3 Tons	\$5,032
WML80CB2U2	34308072C	DIRECT	91/75	83.6	BECKETT AFII-85	1/2 HP PSC	Up to 3 Tons	\$4,696
WMLV80CB2U2	34308077C	DIRECT	91/75	83.6	BECKETT AFII-85	1/2 HP PSC	Up to 3 Tons	\$5,580
WML80CRBU2	34308074C	DIRECT	91/78	86.1	RIELLO 40BF3	1/2 HP ECM	Up to 3 Tons	\$5,032
WMLV80CRBU2	34308079C	DIRECT	91/78	86.1	RIELLO 40BF3	1/2 HP ECM	Up to 3 Tons	\$6,010
MPLV120B2	34312076	CHIMNEY	140/115	83.0	BECKETT AF	3/4 HP ECM	Up to 4 Tons	\$3,951
MPLV120BRF2	34312078	CHIMNEY	140/115	83.0	RIELLO 40F5	3/4 HP ECM	Up to 4 Tons	\$4,125
MPLV100BB2U2	34310077C	DIRECT	119/99	83.0	BECKETT AFII-150	3/4 HP ECM	Up to 4 Tons	\$4,831

‡Includes Vestibule

\*\*Refer to IOM for efficiency ratings when using alternative nozzles

Direct Vent units require the use of Olsen/Airco specific Vent Kit and Termination

WML / WMLV / MPLV (Use Furnace Multiplier for all of the Following)			
Model	Item Number	Description	Trade Price
WML/WMLV	6000075	WML C Downflow Floor Base	\$130
WML/WMLV	30554	WML-C Vestibule Kit (Non-Vested Unit)	\$505
WML/WMLV	240006906	Kit #40LKT310 - 10' x 3" Flex Vent, Terminal Adaptor, Sealant (Z-Flex)	\$512
WML/WMLV	240006907	Kit #40LKT315 - 15' X 3" Flex Vent, Terminal Adaptor, Sealant (Z-Flex)	\$667
WML/WMLV	240006908	Kit #40LKT320 - 20' X 3" Flex Vent, Terminal Adaptor, Sealant (Z-Flex)	\$835
WML	29880	Low Fire Kit (.50GPH)	\$77
MPLV	6000073	MPL-B Downflow Floor Base	\$206
MPLV	240006909	Kit #40LKT410 - 10' X 4" Flex Vent, Terminal Adaptor, Sealant (Z-Flex)	\$543
MPLV	240006910	Kit #40LKT415 - 15' X 4" Flex Vent, Terminal Adaptor, Sealant (Z-Flex)	\$716
MPLV	240006911	Kit #40LKT420 - 20' X 4" Flex Vent, Terminal Adaptor, Sealant (Z-Flex)	\$888

## TERMS & CONDITIONS OF SALE - GENERAL TERMS

**PRICES & SPECIFICATIONS:** All pricing and specifications subject to change without notice. The prices herein supersede all prior quotations.

**ORDERS:** Orders will be accepted based on prices in effect at the time the order is received. No order or contract will become an obligation on our part until accepted by the General Sales Department. ECR International shall not be liable for any delay or failure in the delivery or shipment of goods due to any cause or causes beyond its control.

**TAXES:** Add to the prices and terms quoted any manufacturers' or sales tax payable on the transaction under any effective statute.

---

### SHIPMENTS

**TRUCKLOADS:** \$50,000 Net Order Value - Freight Prepaid. Indirect Water Heaters and Commercial Boiler lines can be added to any residential order for freight purposes. Authorized Distributors can combine Argo, Airco, Dunkirk, EMI, Olsen, Pennco, Utica Boilers and Utica Heating on one purchase order to earn free freight.

Stop off charges of \$150 will apply to stop off locations within 100 miles of the final destination. Please call for pricing for stop off special handling for a location further than 100 miles or for special handling pricing for services such as lift gate, unloading assistance, etc.

**LESS THAN TRUCKLOAD SHIPMENT: F.O.B. ECR INTERNATIONAL - FACTORY OR WAREHOUSE**

**See Shipping and Delivery Policy for full details.**

---

### SALES ORDER INFORMATION CHECK LIST

The following information must be included on equipment or parts orders to insure proper shipment & invoicing:

- |                                                |                                                                                                                                                      |
|------------------------------------------------|------------------------------------------------------------------------------------------------------------------------------------------------------|
| 1) Purchase Order Number                       | 7) Pricing                                                                                                                                           |
| 2) Bill to Address                             | 8) Product Description (Model, Size, etc.)                                                                                                           |
| 3) Ship to Address                             | 9) Fuel Type (Oil, Natural Gas, Propane)                                                                                                             |
| 4) Method of Shipment (trailer load, UPS)      | 10) Electrical (Operating Voltage, Cycles, Phases, etc.)                                                                                             |
| 5) Requested Ship Date                         | 11) Non-Standard Equipment (Indicate "Optional" when substituted for standard equipment at extra cost listed. Indicate added to standard equipment.) |
| 6) Special Instructions ("Carrier to call...") | 12) Kits or Parts (Orders for kits or parts must indicate equipment size and series.)                                                                |

Send orders to:

**E-mail: [ecrorderentry@ecrinternational.com](mailto:ecrorderentry@ecrinternational.com)**

**Fax: (315) 724-9319**

Please note the following Remit to Address:

**ECR International, Inc.**

**P.O. Box 8000 Department 039**

**Buffalo, NY 14267**



## SHIPPING AND DELIVERY POLICY

Order type/value*	Freight Charge*
All UPS, Fed Ex, DHL etc. shipments	Actual Freight Cost Apply
\$0 - \$5,000	Actual Freight Cost Apply
\$5,001 - \$15,000	\$300
\$15,001 - \$49,999	\$250
\$50,000+**	FFA

\*The above freight terms apply to single purchase orders or combined purchases orders from one company with one stop totaling the above reference tiers. Additional stops will incur additional charges. Pooling from multiple companies is not allowed under this freight program.

\*\*Orders of \$50K or more from one company with multiple stops will incur a \$150 stop-off charge per stop after the first. Each stop-off location must be within 100 miles or additional charges will apply.

Because of the nature of packaging and shipping constraints EMI, Enviroair and Retroaire do not qualify for this program unless prior approval is obtained.

Except for FFA qualifying orders, the above US shipping rates apply to shipments east of the Mississippi River. If shipments are outside of that area actual freight rates will apply.

These rates apply to destinations where no special delivery requirements are needed. Additional charges will apply when special handling and delivery is incurred. Pre-shipment notification of any special shipping or handling provisions is required. Unless otherwise noted all products will be shipped FOB Shipping Point and transfer of ownership and responsibility is assumed by the customer for all loss or damage. ECR International will not be held liable for any damage, loss or costs which occur due to shipping delay. ECR retains the right to change or alter this program without notice and without penalty

As a reminder, orders of boilers, furnaces, air-conditioning and controls can be combined to achieve freight tiers.

If you have any questions, please contact your ECR representative or ECR Regional Sales Manager.

## U.S. DISTRIBUTOR - RETURN MATERIAL POLICY (RMA)

**Prior Approval Required** - All returns for exchange, credit, repair service or warranty claim must be approved by ECR International and require an RMA number prior to return of the material. A request must be completed via the online web portal. Please log on to [www.ecrcustomerportal.com](http://www.ecrcustomerportal.com) to complete your request for return. If you do not already have access to the customer web portal, please contact ECR International Customer Service at 1-800-325-5479 to be set-up.

**Eligibility** – An RMA Request must be received within 60 days from the date of invoice for returns of New & Unused product in original packaging. A restocking fee of 15% will be charged for all new and unused returns that are approved for return. Special Order Products (items not offered as standard in ECR International trade price book) are not eligible for return as new and unused product. Request for Warranty Returns must be made within the period covered by the warranty and must fall under the terms and conditions specified in the warranty.

**Repair Service** - Request for repair or rework of product damaged by customer is classified as Repair Service. Repair Service is billed at \$75.00 per hour for labor and net price for parts used in repair/rework. ECR International's Return Material (RM) department will evaluate the items returned for repair service. The customer will receive an estimate for the dollar amount, determined by ECR International's RM department, required to complete the repairs requested. A Purchase Order (PO) from the customer for that amount will be required before any work is performed.

**RMA Expiration Parts** - Once the RMA number is issued, the product must be returned within 60 days of the RMA date, or the RMA will be canceled. Products approved for return that are received after 60 days from the RMA date will not be accepted.

**Shipping & Packaging** - All returns must have a valid RMA number clearly displayed on the exterior of the package or the package will not be accepted. All returns of new and unused product must be in the original packaging. All returns must be shipped prepaid by the customer unless otherwise directed by ECR as indicated on the RMA Verification. Ship all approved return material to the facility indicated on the approved RMA Request by the date indicated.

**Replacement Product** - If replacement product is desired it must be indicated on the RMA Request. A PO# is required for the replacement shipment and must be indicated on the RMA Request. All replacement products will be invoiced at the time of shipment. ECR will pay the ground freight for all warranty replacements.

**Application of Credit** - Credit for returned product will be applied to the customer's account (less restocking fees for New and Unused returns) only after confirmation of receipt by ECR and inspection of the product. Issuance of a credit for a partial return of product does not relieve the customer from the obligation to remit payment for the merchandise not returned in accordance with the payment terms referenced on the customer's invoice(s). Customer will have the option to have any product that is denied for credit returned at their expense.

**Returning Installed Finished Goods** (Complete boilers, furnaces, A/C units etc.)

- Equipment that is already installed should be repaired not replaced. Exceptions: leaking cast iron boilers in their first year or leaking water tanks. Leaking drain valves on water tanks are replaceable, make sure the leak is not on the valve. Tanks returned with the only leak being on the valve will be denied.
- Cast iron blocks (not complete boilers) older than one year and Indirect tanks that are leaking do not require prior approval. Simply type "Leaking" into the Authorization field and it will be accepted. Complete Cast iron boilers within their first year will still require prior authorization for full boiler replacement.
- Water leaks on copper and condensing boilers are repairable and will require prior authorization for any reason for removal.
- To guarantee credit, if a situation arises where equipment does need to be replaced, **prior authorization** from ECR is required. This will ensure that ECR has visibility to the problem and has had an opportunity to correct it prior to removal. *All equipment considered for removal should first be brought to the attention of Technical Support at 1-800-253-7900.*
- If approved, an authorization number will be given that will need to be entered in the RMA on the Customer Portal.
- For equipment that is removed from service without prior authorization by ECR, contact Customer Service. They will evaluate the circumstance and can issue a conditional RMA. The equipment will be tested in our lab to determine if removal was warranted and if credit will be given.

**RMA Expiration Equipment** - Once the RMA number is issued, the product must be returned within 30 days of the RMA date, or the RMA will be canceled. Products approved for return that are received after 30 days from the RMA date will not be accepted.

**This page is intentionally left blank.**

# Olsen®

# Airco®

**Keeping Families Comfortable For More Than 60 Years**

[www.olsenhvac.com](http://www.olsenhvac.com)

[www.aircofurnaces.com](http://www.aircofurnaces.com)



2201 Dwyer Avenue, Utica, NY 13501  
Tel. 800 325 5479  
[www.ecrinternational.com](http://www.ecrinternational.com)

All specifications subject to change without notice.  
©2021 ECR International, Inc.  
PN 240005041 REV. K [07/13/2021]