

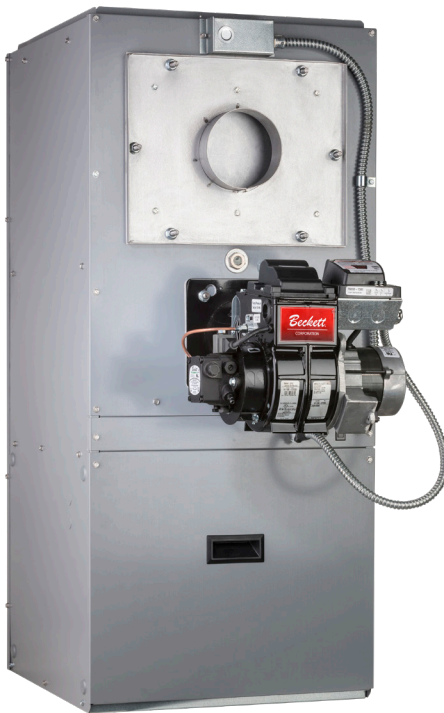
# Olsen®

# Airco®

## Reliable, Efficient Oil-Fired Furnaces

# US Trade Price Book - 2022

Effective 1/17/22



**Keeping Families Comfortable For More Than 60 Years**

[www.olsenhvac.com](http://www.olsenhvac.com)

[www.aircofurnaces.com](http://www.aircofurnaces.com)



Manufactured by:  
ECR International Inc.  
2201 Dwyer Avenue, Utica, NY 13501  
Tel. 800 325 5479  
[www.ecrinternational.com](http://www.ecrinternational.com)  
PN 240005041 REV. L [12/21/2021]

## CUSTOMER SUPPORT TEAM

---

### CUSTOMER SERVICE:

Phone: (800) 325-5479 option #2  
Fax: (315) 724-9319  
Email Purchase Orders: [ecrorderentry@ecrinternational.com](mailto:ecrorderentry@ecrinternational.com)  
Email Inquiries: [customerservice@ecrinternational.com](mailto:customerservice@ecrinternational.com)

### TECHNICAL SUPPORT:

Phone: (800) 253-7900  
Fax: (866) 432-7329  
Email: [technical.support@ecrinternational.com](mailto:technical.support@ecrinternational.com)

### MARKETING SUPPORT:

Phone: (800) 325-5479  
Fax: (315) 733-1759  
E-mail: [marketing@ecrinternational.com](mailto:marketing@ecrinternational.com)

### **WWW.ECRCUSTOMERPORTAL.COM**

#### Your On-line Access to:

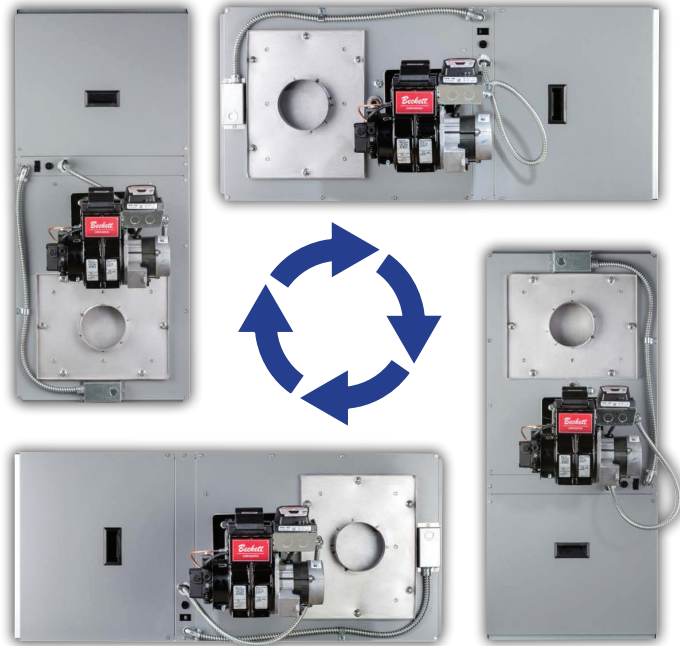
- Order Status
- Invoices
- Statements
- RMA
- Serial Number Look-Up
- Literature

## Table of Contents

|                                       |   |             |
|---------------------------------------|---|-------------|
| <b>Oil-Fired Furnaces</b>             |   | <b>4-15</b> |
| <b>UML/UMLV</b>                       | Multi-Position Front Flue Series (77-119 MBH) | <b>4</b>    |
| <b>LRF/LRFV</b>                       | Lowboy Rear Flue Series (77-119 MBH)          | <b>6</b>    |
| <b>BCL/BFL</b>                        | Lowboy Rear & Front Flue Series (105-231 MBH) | <b>8</b>    |
| <b>BML/BMLV</b>                       | Lowboy Rear Flue Series (70-105 MBH)          | <b>10</b>   |
| <b>HML/HMLV/ HTL/HTLV</b>             | Highboy Front Flue Series (70-140 MBH)        | <b>12</b>   |
| <b>WML/WMLV/MPLV</b>                  | Multi-Position Front Flue Series (70-140 MBH) | <b>14</b>   |
| <b>Terms &amp; Conditions of Sale</b> |   | <b>16</b>   |
| <b>Shipping &amp; Delivery Policy</b> |   | <b>17</b>   |
| <b>RMA Policy</b>                     |   | <b>18</b>   |

## UML / UMLV Multi-Position Front Flue Series

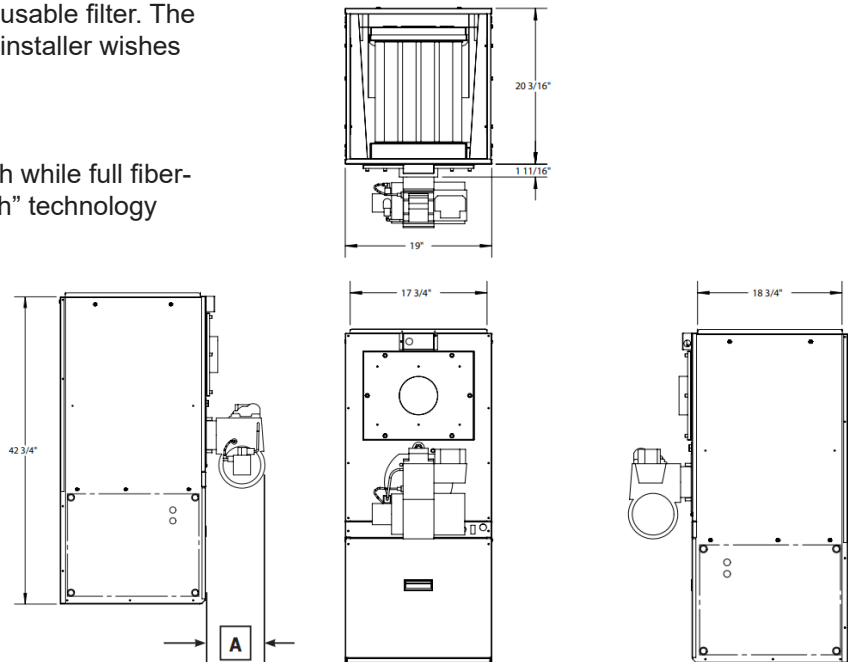
- Btu/h Input: 77,000 to 119,000
- Efficiencies: Up to 87.0% AFUE  
Refer to IOM for efficiency ratings when using alternative nozzles
- Heat Exchanger: Stainless Steel High-Efficiency Multi-Pass
- Flue Location: Front
- Chimney Vent Burner Options:
  - Beckett AFG
  - Riello 40F3
  - Carlin EZ-LF
- Direct Vent Burner Options:
  - Beckett NX
  - Riello 40BF3
  - Riello 40BF5
- Blower Motor Options:
  - ECM Variable Speed High Efficiency
  - PSC Direct Drive



### Other Features of the UML, UMLV Include:

- Select models meet ENERGY STAR® requirements
- Four Firing Rates: .55, .65, .75 and .85 gph
- Models are shipped at .65 gph firing rate with all alternative nozzles supplied with furnace.
- Front access to heat exchanger. Easy to clean.
- Includes a 16" x 20" filter rack with washable, reusable filter. The filter rack can double as a transition piece if the installer wishes to use a Buffalo Boot instead.
- Barometric damper (Chimney Vent Only)
- Listed for closet installations
- Durable 22-gauge steel cabinet ensures strength while full fiber-reinforced foil faced insulation and "cool-to-touch" technology provide quiet operation
- A/C Ready - Up to 4 Tons

| Burner Model        | A - Dimension* |
|---------------------|----------------|
| Beckett AFG         | 11-1/2"        |
| Beckett AFG w/Cover | 12-3/4"        |
| Beckett NX          | 12"            |
| Beckett NX w.Cover  | 13-1/4"        |
| Riello 40F3         | 10-1/2"        |
| Riello 40BF3        | 10-5/8"        |
| Riello 40BF5        | 10-7/8"        |
| Carlin EZ-LF        | 11-3/4"        |



| General Information (See IOM for Complete Instructions) |                    |          |         |                   |             |               |          |                 |
|---|--------------------|----------|---------|-------------------|-------------|---------------|----------|-----------------|
| Model   | Cabinet Dimensions |          |         | Plenum Openings   |             |               | Flue     | Shipping Weight |
|   | Width              | Depth    | Height  | Supply            | Side Return | Bottom Return | Diameter |                 |
| UMLA<br>UMLVA   | 16"                | 20-3/16" | 42-3/4" | 17-3/4" x 18-3/4" | 14" x 18"   | 14" x 18"     | 5"       | 188 lbs.        |

\* With optional vestibule (burner enclosure) for Beckett AF and Riello 40F3 burners add 8-3/4"  
 With optional vestibule (burner enclosure) for Beckett NX burners add 10-3/4"

| UML / UMLV Multi-Position Front Flue Series                    |                 |           |                    |          |              |            |                    |             |
|--|-----------------|-----------|--------------------|----------|--------------|------------|--------------------|-------------|
| Model  | Item Number     | Vent Type | Input/Output (MBH) | AFUE %** | Burners      | Blower     | AC (Range in Tons) | Trade Price |
| UML80A   | UML080210411106 | CHIMNEY   | 91/77              | 86       | BECKETT AFG  | 1/2 HP PSC | Up to 3 Tons       | \$2,960     |
| UMLV80A*   | UML080210412106 | CHIMNEY   | 91/77              | 86       | BECKETT AFG  | 1/2 HP ECM | Up to 4 Tons       | \$3,488     |
| UML80ARF   | UML080240411106 | CHIMNEY   | 91/77              | 86       | RIELLO 40F3  | 1/2 HP PSC | Up to 3 Tons       | \$3,305     |
| UMLV80ARF*   | UML080240412106 | CHIMNEY   | 91/77              | 86       | RIELLO 40F3  | 1/2 HP ECM | Up to 4 Tons       | \$3,831     |
| UML80AC  | UML080280411106 | CHIMNEY   | 91/78              | 86       | CARLIN EZ-LF | 1/2 HP PSC | Up to 3 Tons       | \$2,960     |
| UMLV80AC*  | UML080280412106 | CHIMNEY   | 91/78              | 86       | CARLIN EZ-LF | 1/2 HP ECM | Up to 4 Tons       | \$3,488     |
| Less Burner Models - Order with Burner In A Box Kit From Below |                 |           |                    |          |              |            |                    |             |
| UML80ALB   | UML080260411106 | CHIMNEY   | N/A                | N/A      | LESS         | 1/2 HP PSC | Up to 3 Tons       | \$2,050     |
| UMLV80ALB*   | UML080260412106 | CHIMNEY   | N/A                | N/A      | LESS         | 1/2 HP ECM | Up to 4 Tons       | \$2,575     |
| UML80ALBU  | UML080262411106 | DIRECT    | N/A                | N/A      | LESS         | 1/2 HP PSC | Up to 3 Tons       | \$2,187     |
| UMLV80ALBU*  | UML080262412106 | DIRECT    | N/A                | N/A      | LESS         | 1/2 HP ECM | Up to 4 Tons       | \$2,762     |

\*Indicates an ENERGY STAR® rated model.

\*\*Refer to IOM for efficiency ratings when using alternative nozzles

Four Firing Rates: .55, .65, .75 and .85 gph - Alternative nozzles furnished with furnace.

LESS - Model number is less burner. Burner must be purchased separately.

Direct Vent units require the use of Olsen/Airco specific Vent Kit and Termination.

| UML / UMLV (Use Furnace Multiplier for all of the Following) |             |  |             |
|--|-------------|--|-------------|
| Model  | Item Number | Description  | Trade Price |
| UML/UMLV   | 550003032   | Combustible Floor Base (Required for Downflow refer to IOM)          | \$109       |
| UML/UMLV   | 240010859   | Optional Beckett Burner Cover for Beckett AFG                        | \$202       |
| UML/UMLV   | 3002237     | Blocked Vent Safety Switch (Optional for US)                         | \$117       |
| UML/UMLV   | 550003080   | Burner In A Box - Beckett AFG w/ Cover-UML Chimney Vent Kit          | \$956       |
| UML/UMLV   | 550003430   | Burner In A Box - Beckett AFG No Cover-UML/LRF Chimney Vent Kit      | \$912       |
| UML/UMLV   | 550003431   | Burner in A Box - Riello F3 - UML/LRF Chimney Vent Kit               | \$1,253     |
| UML/UMLV   | 550003432   | Burner in A Box - Carlin EZ-LF - UML/LRF Chimney Vent Kit            | \$912       |
| UML/UMLV   | 550003433   | Burner in A Box - Riello BF3 - UML/LRF Direct Vent Kit               | \$1,377     |
| UML/UMLV   | 550003434   | Burner in A Box - Riello BF5 - UML/LRF Direct Vent Kit               | \$1,394     |
| UML/UMLV   | 550003127   | Burner in A Box - Beckett NX w/ Cover-UML Direct Vent Kit            | \$1,095     |
| UML/UMLV   | 550003435   | Burner in A Box - Beckett NX Less Cover-UML/LRF Direct Vent Kit      | \$1,047     |
| UML/UMLV   | 240006909   | Kit #40LKT410-10' X 4" Flex Vent, Terminal Adaptor, Sealant (Z-Flex) | \$565       |
| UML/UMLV   | 240006910   | Kit #40LKT415-15' X 4" Flex Vent, Terminal Adaptor, Sealant (Z-Flex) | \$745       |
| UML/UMLV   | 240006911   | Kit #40LKT420-20' X 4" Flex Vent, Terminal Adaptor, Sealant (Z-Flex) | \$924       |
| UML/UMLV   | 28972       | Vent Terminal  | \$687       |
| UML/UMLV   | 29231       | Riser Vent Terminal  | \$1,581     |

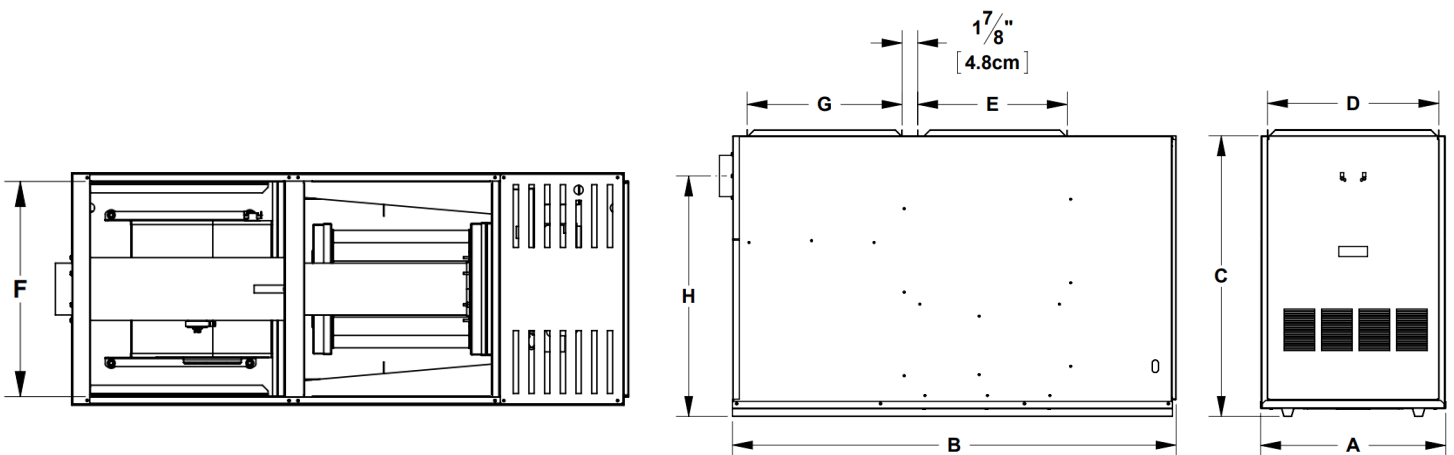
## LRF / LRFV Lowboy Rear Flue Series

- Btu/h Input: 77,000 to 119,000
- Efficiencies: Up to 86.8% AFUE  
Refer to IOM for efficiency ratings when using alternative nozzles
- Heat Exchanger: Stainless Steel High-Efficiency Multi-Pass
- Flue Location: Rear
- Chimney Vent Burner Options:
  - Beckett AFG
  - Riello 40F3
  - Carlin EZ-LF
- Direct Vent Burner Options:
  - Beckett NX
  - Riello 40BF3
  - Riello 40BF5
- Blower Motor Options:
  - ECM Variable Speed High Efficiency
  - PSC Direct Drive



### Other Features of the LRF, LRFV Include:

- Select models meet ENERGY STAR® requirements
- Four Firing Rates: .55, .65, .75 and .85 gph
- Models are shipped at .65 gph firing rate with all alternative nozzles supplied with furnace.
- Front access to heat exchanger. Easy to clean.
- Includes a 20" x 20" filter rack with washable, reusable filter.
- Barometric damper (Chimney Vent Only)
- Listed for closet installations
- Durable 22-gauge steel cabinet ensures strength while full fiber-reinforced foil faced insulation and "cool-to-touch" technology provide quiet operation
- A/C Ready - Up to 4 Tons



| General Information (See IOM for Complete Instructions) |                    |           |            |                 |                   |          |            |                 |
|---|--------------------|-----------|------------|-----------------|-------------------|----------|------------|-----------------|
| Model   | Cabinet Dimensions |           |            | Plenum Openings |                   | Flue     |            | Shipping Weight |
|   | Width (A)          | Depth (B) | Height (C) | Supply (D x E)  | Return (F x G)    | Diameter | Height (H) |                 |
| LRF<br>LRFV   | 22"                | 53-1/2"   | 33-5/8"    | 20-1/2" x 18"   | 20-1/2" x 18-5/8" | 5"       | 29"        | 240 lbs.        |

| LRF / LRFV Lowboy Rear Flue Series                             |                 |           |                    |          |              |            |                    |             |
|--|-----------------|-----------|--------------------|----------|--------------|------------|--------------------|-------------|
| Model  | Item Number     | Vent Type | Input/Output (MBH) | AFUE %** | Burners      | Blower     | AC (Range in Tons) | Trade Price |
| LRF80  | LRF080210411006 | CHIMNEY   | 91/78              | 85.9     | BECKETT AFG  | 1/2 HP PSC | Up to 3 Tons       | \$3,036     |
| LRFV80*  | LRF080210412006 | CHIMNEY   | 91/78              | 85.9     | BECKETT AFG  | 1/2 HP ECM | Up to 4 Tons       | \$4,021     |
| LRF80RF  | LRF080240411006 | CHIMNEY   | 91/77              | 86.4     | RIELLO 40F3  | 1/2 HP PSC | Up to 3 Tons       | \$3,378     |
| LRFV80RF*  | LRF080240412006 | CHIMNEY   | 91/77              | 86.4     | RIELLO 40F3  | 1/2 HP ECM | Up to 4 Tons       | \$4,362     |
| LRF80C   | LRF080280411006 | CHIMNEY   | 91/78              | 85.9     | CARLIN EZ-LF | 1/2 HP PSC | Up to 3 Tons       | \$3,036     |
| LRFV80C*   | LRF080280412006 | CHIMNEY   | 91/78              | 85.9     | CARLIN EZ-LF | 1/2 HP ECM | Up to 4 Tons       | \$4,021     |
| Less Burner Models - Order with Burner In A Box Kit From Below |                 |           |                    |          |              |            |                    |             |
| LRF80LB  | LRF080260411006 | CHIMNEY   | N/A                | N/A      | LESS         | 1/2 HP PSC | Up to 3 Tons       | \$2,124     |
| LRFV80LB*  | LRF080260412006 | CHIMNEY   | N/A                | N/A      | LESS         | 1/2 HP ECM | Up to 4 Tons       | \$3,109     |
| LRF80LBU   | LRF080262411006 | DIRECT    | N/A                | N/A      | LESS         | 1/2 HP PSC | Up to 3 Tons       | \$2,861     |
| LRFV80LBU*   | LRF080262412006 | DIRECT    | N/A                | N/A      | LESS         | 1/2 HP ECM | Up to 4 Tons       | \$3,336     |

\*Indicates an ENERGY STAR® rated model.

\*\*Refer to IOM for efficiency ratings when using alternative nozzles

Four Firing Rates: .55, .65, .75 and .85 gph - Alternative nozzles furnished with furnace.

LESS - Model number is less burner. Burner must be purchased separately.

Direct Vent units require the use of Olsen/Airco specific Vent Kit and Termination.

| LRF / LRFV (Use Furnace Multiplier for all of the Following) |             |  |             |
|--|-------------|--|-------------|
| Model  | Item Number | Description  | Trade Price |
| LRF/LRFV   | 30690       | Blocked Vent Safety Switch (Optional for US)                         | \$102       |
| LRF/LRFV   | 550003430   | Burner In A Box - Beckett AFG Less Cover - UML/LRF CV Kit            | \$912       |
| LRF/LRFV   | 550003431   | Burner in A Box - Riello F3 - UML/LRF Chimney Vent Kit               | \$1,253     |
| LRF/LRFV   | 550003432   | Burner in A Box - Carlin EZ-LF - UML/LRF Chimney Vent Kit            | \$912       |
| LRF/LRFV   | 550003433   | Burner in A Box - Riello BF3 - UML/LRF Direct Vent Kit               | \$1,377     |
| LRF/LRFV   | 550003434   | Burner in A Box - Riello BF5 - UML/LRF Direct Vent Kit               | \$1,394     |
| LRF/LRFV   | 550003435   | Burner in A Box - Beckett NX Less Cover - UML/LRF Direct Vent Kit    | \$1,047     |
| LRF/LRFV   | 240006909   | Kit #40LKT410-10' X 4" Flex Vent, Terminal Adaptor, Sealant (Z-Flex) | \$565       |
| LRF/LRFV   | 240006910   | Kit #40LKT415-15' X 4" Flex Vent, Terminal Adaptor, Sealant (Z-Flex) | \$745       |
| LRF/LRFV   | 240006911   | Kit #40LKT420-20' X 4" Flex Vent, Terminal Adaptor, Sealant (Z-Flex) | \$924       |
| LRF/LRFV   | 28972       | Vent Terminal  | \$687       |
| LRF/LRFV   | 29231       | Riser Vent Terminal  | \$1,581     |

## BCL / BFL Lowboy Rear & Front Flue Series

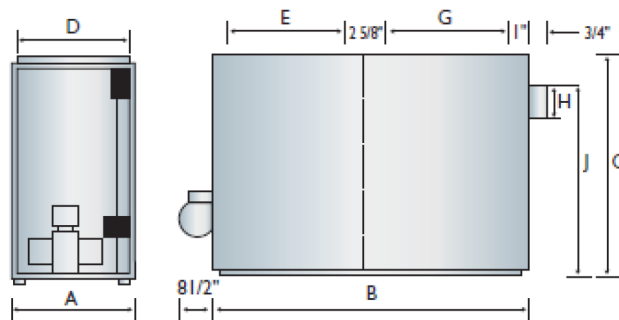
- Btu/h Input: 105,000 to 231,000
- Efficiencies: Up to 87.2% AFUE
- Heat Exchanger: Welded Steel Dual-Pass
- Flue Location: Front / Rear
- Chimney Vent Burner Options:
  - Beckett AF
  - Beckett NX
  - Riello 40F3
- Direct Vent Burner Options:
  - Beckett AFII-85
  - Beckett AFII-150
  - Riello 40BF3
- Blower Motor Options:
  - ECM Variable Speed High Efficiency
  - PSC Direct Drive
  - Belt Drive with Adjustable Motor Pulley



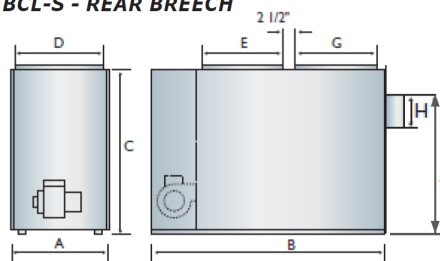
### Other Features of the BCL, BFL Include:

- Front access to heat exchanger. Easy to clean.
- Includes filter rack with washable, reusable filter(s)
  - BCL/BFL-90/100/120/130/145: One 20" x 25"
  - BCL-190/200/225: Two 20" x 25"
- Barometric damper (Chimney Vent Only)
- Durable 22-gauge steel cabinet ensures strength while full fiber-reinforced foil faced insulation and "cool-to-touch" technology provide quiet operation.
- A/C Ready- Up to 5 Tons  
(Belt drive models require an adjustable, field supplied motor pulley change.)

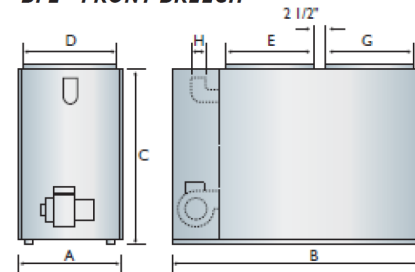
**BCL - 190/225 HIGH CAPACITY REAR BREECH**



**BCL-S - REAR BREECH**



**BFL - FRONT BREECH**



### General Information (See IOM for Complete Instructions)

| Model                | Cabinet Dimensions |           |            | Plenum Openings   |                   | Flue         |            | Shipping Weight |
|----------------------|--------------------|-----------|------------|-------------------|-------------------|--------------|------------|-----------------|
|                      | Width (A)          | Depth (B) | Height (C) | Supply (D x E)    | Return (F x G)    | Diameter (H) | Height (J) |                 |
| BCL<br>BCLB          | 22"                | 51-1/2"   | 41"        | 20-1/2" x 18-5/8" | 20-1/2" x 18-5/8" | 6"           | 37-1/4"    | 270 lbs.        |
| BFL<br>BFLB          | 22"                | 51-1/2"   | 41"        | 20-1/2" x 18-5/8" | 20-1/2" x 18-5/8" | 6"           | 38-1/4"    | 260 lbs.        |
| BCL<br>High Capacity | 26"                | 49"       | 56"        | 24" x 22"         | 24" x 22"         | 7"           | 47"        | 450 lbs.        |



**BCL / BFL Lowboy Rear & Front Flue Series**

| Model       | Item Number | Vent Type | Input/Output (MBH) | AFUE %** | Burners          | Blower      | AC (Range in Tons) | Trade Price |
|-------------|-------------|-----------|--------------------|----------|------------------|-------------|--------------------|-------------|
| BCLB120S2   | 32312062    | CHIMNEY   | 140/117            | 84.4     | BECKETT AF       | 1/3 HP BELT | N/A                | \$3,430     |
| BCL120S2    | 32312009    | CHIMNEY   | 140/117            | 84.4     | BECKETT AF       | 1/2 HP PSC  | Up to 4 Tons       | \$3,287     |
| BCL120ST2   | 32312005    | CHIMNEY   | 140/117            | 84.4     | BECKETT AF       | 1 HP PSC    | Up to 5 Tons       | \$3,883     |
| BCLB145S2   | 32314563    | CHIMNEY   | 168/140            | 84       | BECKETT AF       | 1/2 HP BELT | Up to 4 Tons^      | \$4,140     |
| BCL145S2    | 32314509    | CHIMNEY   | 168/140            | 84       | BECKETT AF       | 1/2 HP PSC  | Up to 4 Tons       | \$3,993     |
| BCL145ST2   | 32314505    | CHIMNEY   | 168/140            | 84       | BECKETT AF       | 1 HP PSC    | Up to 5 Tons       | \$4,867     |
| BCL190      | 32319070    | CHIMNEY   | 231/194            | 83.7T    | BECKETT AF       | 3/4 HP BELT | Up to 4 Tons^      | \$6,994     |
| BCL 190/225 | 32319072    | CHIMNEY   | 231/194            | 83.7T    | BECKETT AF       | 1 H/P BELT  | Up to 5 Tons^      | \$7,430     |
| BCL100SRF2  | 32310017    | CHIMNEY   | 119/102            | 86.2     | RIELLO 40F3      | 1/2 HP PSC  | Up to 4 Tons       | \$4,292     |
| BCL100SB2U2 | 32310013C   | DIRECT    | 119/101            | 86       | BECKETT AFII-150 | 1/2 HP PSC  | Up to 4 Tons       | \$4,397     |
| BFLB120-2   | 32312045    | CHIMNEY   | 140/114            | 83       | BECKETT AF       | 1/3 HP BELT | N/A                | \$3,458     |
| BFL120-2    | 32312001    | CHIMNEY   | 140/114            | 83       | BECKETT AF       | 1/2 HP PSC  | Up to 4 Tons       | \$3,324     |
| BFLB145NX2  | 32314547    | CHIMNEY   | 168/137            | 83.1     | BECKETT NX       | 1/2 HP BELT | Up to 4 Tons^      | \$4,308     |
| BFL145NX2   | 32314544    | CHIMNEY   | 168/137            | 83.1     | BECKETT NX       | 1/2 HP PSC  | Up to 4 Tons       | \$4,120     |
| BFL100RF2   | 32310023    | CHIMNEY   | 119/101            | 85.3     | RIELLO 40F3      | 1/2 HP PSC  | Up to 4 Tons       | \$4,152     |
| BFL100B2U2  | 32310015C   | DIRECT    | 119/101            | 85.4     | BECKETT AFII-150 | 1/2 HP PSC  | Up to 4 Tons       | \$4,663     |

\*\*Refer to IOM for efficiency ratings when using alternative nozzles

^Requires alternate blower pulley - field supplied

T=Thermal Efficiency

Direct Vent units require the use of Olsen/Airco specific Vent Kit and Termination.

**BCL / BFL (Use Furnace Multiplier for all of the Following)**

| Model   | Item Number | Description  | Trade Price |
|---------|-------------|--|-------------|
| BCL/BFL | 240006909   | Kit #40LKT410-10' X 4" Flex Vent, Terminal Adaptor, Sealant (Z-Flex) | \$565       |
| BCL/BFL | 240006910   | Kit #40LKT415-15' X 4" Flex Vent, Terminal Adaptor, Sealant (Z-Flex) | \$745       |
| BCL/BFL | 240006911   | Kit #40LKT420-20' X 4" Flex Vent, Terminal Adaptor, Sealant (Z-Flex) | \$924       |
| BCL/BFL | 28972       | Vent Terminal  | \$687       |
| BCL/BFL | 29231       | Riser Vent Terminal  | \$1,581     |

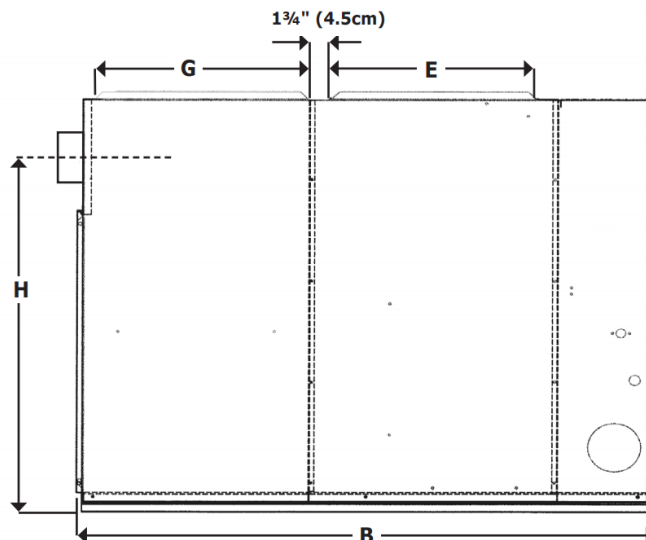
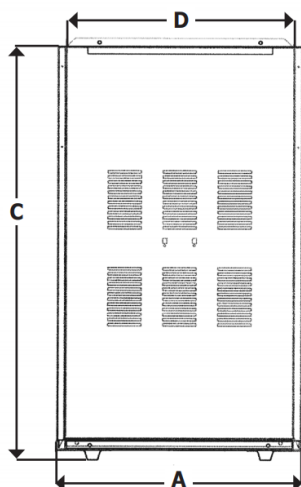
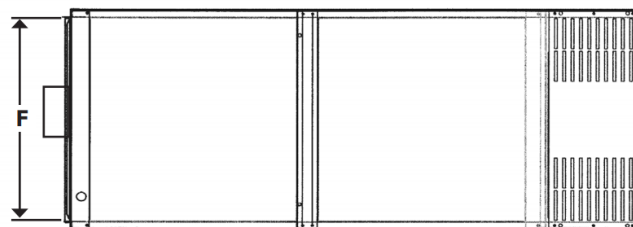
## BML / BMLV Lowboy Rear Flue Series

- Btu/h Input: 70,000 to 105,000
- Efficiencies: Up to 87.2% AFUE
- Heat Exchanger: Welded Steel Dual-Pass
- Flue Location: Rear
- Chimney Vent Burner Options:
  - Beckett AF
  - Beckett NX
  - Riello 40F3
- Direct Vent Burner Options:
  - Beckett AFII-85
  - Beckett AFII-150
  - Riello 40BF3
- Blower Motor Options:
  - ECM Variable Speed High Efficiency
  - PSC Direct Drive
  - Belt Drive with Adjustable Motor Pulley



### Other Features of the BML, BMLV Include:

- Front access to heat exchanger. Easy to clean.
- Includes filter rack with washable, reusable filter(s)  
BML-60/80/90: One 20" x 20"
- Barometric damper (Chimney Vent Only)
- Durable 22-gauge steel cabinet ensures strength while full fiber-reinforced foil faced insulation and "cool-to-touch" technology provide quiet operation.
- A/C Ready- Up to 3.5 Tons  
(Belt drive models require an adjustable, field supplied motor pulley change.)



General Information (See IOM for Complete Instructions)

| Model               | Cabinet Dimensions |           |            | Plenum Openings |                   | Flue     |            | Shipping Weight |
|---------------------|--------------------|-----------|------------|-----------------|-------------------|----------|------------|-----------------|
|                     | Width (A)          | Depth (B) | Height (C) | Supply (D x E)  | Return (F x G)    | Diameter | Height (H) |                 |
| BML<br>BMLB<br>BMLV | 22"                | 51-1/2"   | 32"        | 20-1/2" x 19"   | 20-1/2" x 18-1/2" | 5"       | 26-1/4"    | 240 lbs.        |

| BML / BMLV Lowboy Rear Flue Series |             |           |                     |          |                 |             |                             |             |
|------------------------------------|-------------|-----------|---------------------|----------|-----------------|-------------|-----------------------------|-------------|
| Model                              | Item Number | Vent Type | Input/ Output (MBH) | AFUE %** | Burners         | Blower      | AC (Range in Tons)          | Trade Price |
| BMLB80B2                           | 32308075    | CHIMNEY   | 91/76               | 84       | BECKETT AF      | 1/2 HP BELT | Up to 3.5 Tons <sup>^</sup> | \$3,306     |
| BML80B2                            | 32308070    | CHIMNEY   | 91/76               | 84       | BECKETT AF      | 1/2 HP PSC  | Up to 3.5 Tons              | \$3,174     |
| BMLV80B2                           | 32308076    | CHIMNEY   | 91/76               | 84       | BECKETT AF      | 1/2 HP ECM  | Up to 3 Tons                | \$4,204     |
| BML80BRF2                          | 32308073    | CHIMNEY   | 91/77               | 85.2     | RIELLO 40F3     | 1/2 HP PSC  | Up to 3.5 Tons              | \$3,531     |
| BMLV80BRF2                         | 32308078    | CHIMNEY   | 91/77               | 85.2     | RIELLO 40F3     | 1/2 HP ECM  | Up to 3 Tons                | \$4,435     |
| BML80BB2U2                         | 32308072C   | DIRECT    | 91/76               | 84.3     | BECKETT AFII-85 | 1/2 HP PSC  | Up to 3.5 Tons              | \$4,162     |
| BMLV80BB2U2                        | 32308077C   | DIRECT    | 91/76               | 84.3     | BECKETT AFII-85 | 1/2 HP ECM  | Up to 3 Tons                | \$4,900     |
| BML80BRBU2                         | 32308074C   | DIRECT    | 91/78               | 86.1     | RIELLO 40BF3    | 1/2 HP PSC  | Up to 3.5 Tons              | \$5,363     |
| BMLV80BRBU2                        | 32308079C   | DIRECT    | 91/78               | 86.1     | RIELLO 40BF3    | 1/2 HP ECM  | Up to 3 Tons                | \$5,204     |

\*\*Refer to IOM for efficiency ratings when using alternative nozzles

<sup>^</sup>Requires alternate blower pulley - field supplied

Three Firing Rates: .50, .65 and .75 gph - Alternative nozzles furnished with furnace.

Direct Vent units require the use of Olsen/Airco specific Vent Kit and Termination.

| BML / BMLV (Use Furnace Multiplier for all of the Following) |             |  |             |
|--|-------------|--|-------------|
| Model  | Item Number | Description  | Trade Price |
| BML/BMLV   | 240006906   | Kit #40LKT310 - 10' x 3" Flex Vent, Terminal Adaptor, Sealant (Z-Flex) | \$532       |
| BML/BMLV   | 240006907   | Kit #40LKT315 - 15' X 3" Flex Vent, Terminal Adaptor, Sealant (Z-Flex) | \$694       |
| BML/BMLV   | 240006908   | Kit #40LKT320 - 20' X 3" Flex Vent, Terminal Adaptor, Sealant (Z-Flex) | \$868       |
| BML/BMLV   | 29880       | Low Fire Kit (.50GPH)  | \$80        |
| BML/BMLV   | 28972       | Vent Terminal  | \$687       |
| BML/BMLV   | 29231       | Riser Vent Terminal  | \$1,581     |

## HML / HMLV / HTL / HTLV Highboy Front Flue Series

- Btu/h Input: 70,000 to 140,000
- Efficiencies: Up to 86.7% AFUE
- Heat Exchanger: Welded Steel Dual-Pass
- Flue Location: Front
- Chimney Vent Burner Options:
  - Beckett AF
  - Beckett NX
  - Riello 40F3
- Direct Vent Burner Options:
  - Beckett AFII-185
  - Riello 40BF3
- Blower Motor Options:
  - ECM Variable Speed High Efficiency
  - PSC Direct Drive

### Other Features of the HML, HMLV, HTL, HTLV Include:

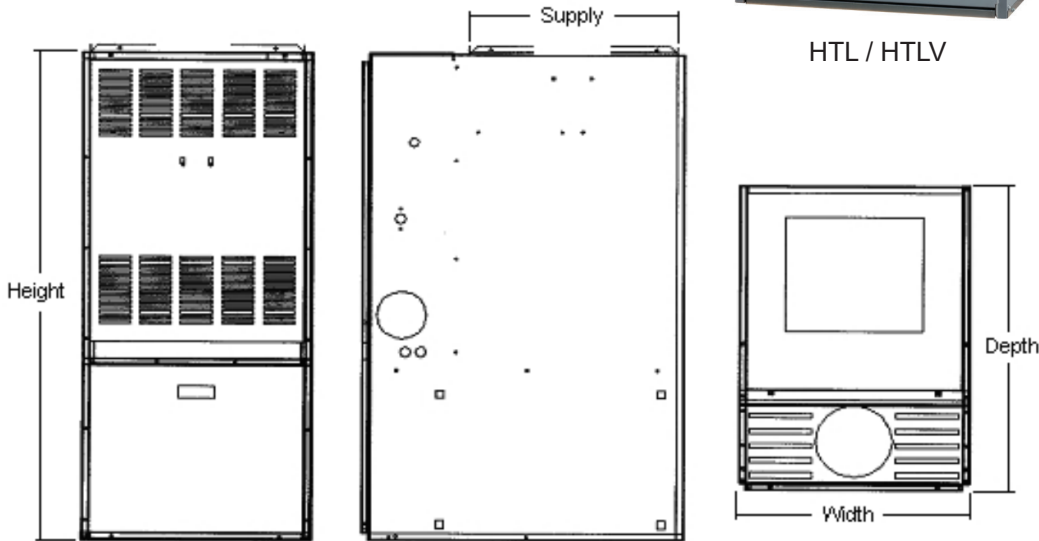
- Includes a 16" x 25" filter rack with washable, reusable filter
- Barometric damper (Chimney Vent Only)
- Durable 22-gauge steel cabinet ensures strength while full fiber-reinforced foil faced insulation and "cool-to-touch" technology provide quiet operation.
- A/C Ready - Up to 3.5 Tons



HTL / HTLV



HML / HMLV



| General Information (See IOM for Complete Instructions) |                    |         |         |                 |             |               |          |                 |
|---|--------------------|---------|---------|-----------------|-------------|---------------|----------|-----------------|
| Model   | Cabinet Dimensions |         |         | Plenum Openings |             |               | Flue     | Shipping Weight |
|   | Width              | Depth   | Height  | Supply          | Side Return | Bottom Return | Diameter |                 |
| HML<br>HMLV   | 22"                | 30-3/4" | 49-5/8" | 20-1/2" x 20"   | 14" x 22"   | 14" x 22"     | 5"       | 210 lbs.        |
| HTL<br>HTLV   | 22"                | 30-3/4" | 58"     | 20-1/2" x 20"   | 14" x 22"   | 14" x 22"     | 6"       | 270 lbs.        |

| HML / HMLV / HTL / HTLV Highboy Front Flue Series |             |           |                    |          |                 |            |                    |             |
|---|-------------|-----------|--------------------|----------|-----------------|------------|--------------------|-------------|
| Model   | Item Number | Vent Type | Input/Output (MBH) | AFUE %** | Burners         | Blower     | AC (Range in Tons) | Trade Price |
| HML80C2   | 31308070    | CHIMNEY   | 91/76              | 83.3     | BECKETT AF      | 1/2 HP PSC | Up to 3.5 Tons     | \$3,156     |
| HMLV80C2  | 31308076    | CHIMNEY   | 91/76              | 83.3     | BECKETT AF      | 1/2 HP ECM | Up to 3.5 Tons     | \$4,014     |
| HML80CNX2   | 31308085    | CHIMNEY   | 91/76              | 85.7     | BECKETT NX      | 1/2 HP PSC | Up to 3.5 Tons     | \$3,313     |
| HMLV80CNX2  | 31308090    | CHIMNEY   | 91/76              | 85.7     | BECKETT NX      | 1/2 HP ECM | Up to 3.5 Tons     | \$4,155     |
| HML80CRF2   | 31308073    | CHIMNEY   | 91/77              | 85.2     | RIELLO 40F3     | 1/2 HP PSC | Up to 3.5 Tons     | \$3,494     |
| HMLV80CRF2  | 31308078    | CHIMNEY   | 91/77              | 85.2     | RIELLO 40F3     | 1/2 HP ECM | Up to 3.5 Tons     | \$4,292     |
| HML80CB2U2  | 31308072C   | DIRECT    | 91/76              | 83.9     | BECKETT AFII-85 | 1/2 HP PSC | Up to 3.5 Tons     | \$4,248     |
| HMLV80CB2U2                                       | 31308077C   | DIRECT    | 91/76              | 83.9     | BECKETT AFII-85 | 1/2 HP ECM | Up to 3.5 Tons     | \$5,108     |
| HML80CRBU2  | 31308074C   | DIRECT    | 91/77              | 85.4     | RIELLO 40BF3    | 1/2 HP PSC | Up to 3.5 Tons     | \$4,675     |
| HMLV80CRBU2                                       | 31308079C   | DIRECT    | 91/77              | 85.4     | RIELLO 40BF3    | 1/2 HP ECM | Up to 3.5 Tons     | \$5,534     |
| HTL120D2  | 31312070    | CHIMNEY   | 140/117            | 83       | BECKETT AF      | 1/2 HP PSC | Up to 3.5 Tons     | \$3,483     |
| HTL115DRF2  | 31311573    | CHIMNEY   | 133/112            | 84.1     | RIELLO 40F3     | 1/2 HP PSC | Up to 3.5 Tons     | \$3,786     |
| HTLV115DRF2                                       | 31311578    | CHIMNEY   | 133/112            | 84.1     | RIELLO 40F3     | 1/2 HP ECM | Up to 3.5 Tons     | \$5,020     |

\*\*Refer to IOM for efficiency ratings when using alternative nozzles

Direct Vent units require the use of Olsen/Airco specific Vent Kit and Termination

| HML / HMLV / HTL / HTLV (Use Furnace Multiplier for all of the Following) |             |  |             |
|---|-------------|--|-------------|
| Model   | Item Number | Description  | Trade Price |
| HTL(V)/HML(V)   | 240006906   | Kit #40LKT310 - 10' x 3" Flex Vent, Terminal Adaptor, Sealant (Z-Flex) | \$532       |
| HTL(V)/HML(V)   | 240006907   | Kit #40LKT315 - 15' X 3" Flex Vent, Terminal Adaptor, Sealant (Z-Flex) | \$694       |
| HTL(V)/HML(V)   | 240006908   | Kit #40LKT320 - 20' X 3" Flex Vent, Terminal Adaptor, Sealant (Z-Flex) | \$868       |
| HML   | 29880       | Low Fire Kit (.50GPH)  | \$80        |
| HTL(V)/HML(V)   | 28972       | Vent Terminal  | \$687       |
| HTL(V)/HML(V)   | 29231       | Riser Vent Terminal  | \$1,581     |

## WML / WMLV / MPLV Highboy Front Flue Series

- Btu/h Input: 70,000 to 105,000 (WML/WMLV)
- Btu/h Input: 105,000 to 140,000 (MPLV)
- Efficiencies: Up to 86.8% AFUE
- Heat Exchanger: Welded Steel Dual-Pass
- Flue Location: Front
- Chimney Vent Burner Options:
  - Beckett AF
  - Beckett NX (WML/WMLV Models Only)
  - Riello 40F3 (WML/WMLV Models Only)
  - Riello 40F5 (MPLV Model Only)
- Direct Vent Burner Options:
  - Beckett AFII-185 (WML/WMLV Models Only)
  - Riello 40BF3 (WML/WMLV Models Only)
  - Beckett AF-150 (MPLV Model Only)
- Blower Motor Options:
  - Variable speed constant cfm ECM blower (MPLV Only)
  - ECM Variable Speed (WML/WMLV Models Only)
  - PSC Direct Drive (WML/WMLV Models Only)



WML / WMLV

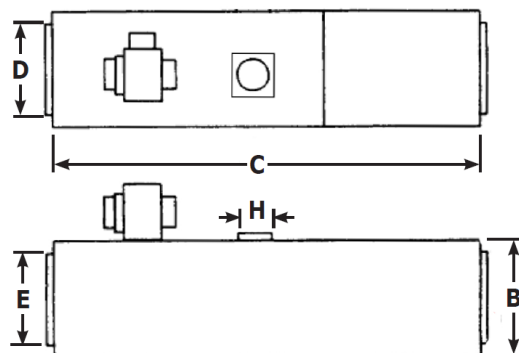


MPLV

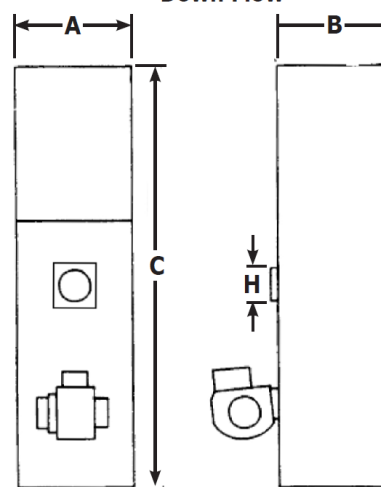
### Other Features of the WML, WMLV, MPLV Include:

- Includes a 20" x 20" filter rack with washable, reusable filter
- Barometric damper (Chimney Vent Only)
- Durable 22-gauge steel cabinet ensures strength while full fiber-reinforced foil faced insulation and "cool-to-touch" technology provide quiet operation.
- A/C Ready - Up to 3 Tons (MPLV up to 4 tons)
- Optional vestibule compartment - available for WML/WMLV factory equipped or as field installed kit.

WML-C / WMLV-C  
& MPLV-B  
Horizontal



WML-C / WMLV-C  
& MPLV-B  
Down Flow



### General Information (See IOM for Complete Instructions)

| Model       | Cabinet Dimensions |           |            | Plenum Openings   |             |               | Flue Diameter (H) | Shipping Weight |
|-------------|--------------------|-----------|------------|-------------------|-------------|---------------|-------------------|-----------------|
|             | Width (A)          | Depth (B) | Height (C) | Supply (D x E)    | Side Return | Bottom Return |                   |                 |
| WML<br>WMLV | 22"                | 22-1/8" * | 55-1/4"    | 19" x 19"         | 18" x 18"   | 18" x 18"     | 5"                | 265 lbs.        |
| MPLV        | 22-1/2"            | 22-1/4"   | 62"        | 20-1/2" x 20-1/2" | 18" x 18"   | 18" x 18"     | 6"                | 292 lbs.        |

\* With optional vestibule (burner enclosure) for Beckett AF and Riello 40F3 burners add 8-3/4"  
With optional vestibule (burner enclosure) for Beckett NX burners add 10-3/4"

| WML / WMLV / MPLV Multi-Position Front Flue Series |             |           |                    |          |                  |            |                    |             |
|--|-------------|-----------|--------------------|----------|------------------|------------|--------------------|-------------|
| Model  | Item Number | Vent Type | Input/Output (MBH) | AFUE %** | Burners          | Blower     | AC (Range in Tons) | Trade Price |
| WML60C2  | 34306080    | CHIMNEY   | 70/59              | 83.3     | BECKETT AF       | 1/2 HP PSC | Up to 3 Tons       | \$3,420     |
| WML60C2‡   | 34306040    | CHIMNEY   | 70/59              | 83.3     | BECKETT AF       | 1/2 HP PSC | Up to 3 Tons       | \$3,784     |
| WMLV60C2   | 34306076    | CHIMNEY   | 70/59              | 83.3     | BECKETT AF       | 1/2 HP ECM | Up to 3 Tons       | \$4,497     |
| WMLV60C2‡  | 34306046    | CHIMNEY   | 70/59              | 83.3     | BECKETT AF       | 1/2 HP ECM | Up to 3 Tons       | \$4,855     |
| WML80CNX2  | 34308085    | CHIMNEY   | 91/76              | 85.5     | BECKETT NX       | 1/2 HP PSC | Up to 3 Tons       | \$3,494     |
| WML80CNX2‡   | 34308087    | CHIMNEY   | 91/76              | 85.5     | BECKETT NX       | 1/2 HP PSC | Up to 3 Tons       | \$3,694     |
| WMLV80CNX2   | 34308090    | CHIMNEY   | 91/76              | 85.5     | BECKETT NX       | 1/2 HP PSC | Up to 3 Tons       | \$4,572     |
| WMLV80CNX2‡  | 34308092    | CHIMNEY   | 91/76              | 85.5     | BECKETT NX       | 1/2 HP PSC | Up to 3 Tons       | \$4,755     |
| WML80CRF2  | 34308073    | CHIMNEY   | 91/76              | 83.3     | RIELLO 40F3      | 1/2 HP ECM | Up to 3 Tons       | \$3,977     |
| WML80CRF2‡   | 34308086    | CHIMNEY   | 91/76              | 83.3     | RIELLO 40F3      | 1/2 HP ECM | Up to 3 Tons       | \$4,233     |
| WMLV80CRF2   | 34308078    | CHIMNEY   | 91/76              | 83.3     | RIELLO 40F3      | 1/2 HP ECM | Up to 3 Tons       | \$4,959     |
| WMLV80CRF2‡  | 34308091    | CHIMNEY   | 91/76              | 83.3     | RIELLO 40F3      | 1/2 HP ECM | Up to 3 Tons       | \$5,233     |
| WML80CB2U2   | 34308072C   | DIRECT    | 91/75              | 83.6     | BECKETT AFII-85  | 1/2 HP PSC | Up to 3 Tons       | \$4,884     |
| WMLV80CB2U2  | 34308077C   | DIRECT    | 91/75              | 83.6     | BECKETT AFII-85  | 1/2 HP PSC | Up to 3 Tons       | \$5,803     |
| WML80CRBU2   | 34308074C   | DIRECT    | 91/78              | 86.1     | RIELLO 40BF3     | 1/2 HP ECM | Up to 3 Tons       | \$5,233     |
| WMLV80CRBU2  | 34308079C   | DIRECT    | 91/78              | 86.1     | RIELLO 40BF3     | 1/2 HP ECM | Up to 3 Tons       | \$6,250     |
| MPLV120B2  | 34312076    | CHIMNEY   | 140/115            | 83.0     | BECKETT AF       | 3/4 HP ECM | Up to 4 Tons       | \$4,109     |
| MPLV120BRF2  | 34312078    | CHIMNEY   | 140/115            | 83.0     | RIELLO 40F5      | 3/4 HP ECM | Up to 4 Tons       | \$4,290     |
| MPLV100BB2U2                                       | 34310077C   | DIRECT    | 119/99             | 83.0     | BECKETT AFII-150 | 3/4 HP ECM | Up to 4 Tons       | \$5,024     |

‡Includes Vestibule

\*\*Refer to IOM for efficiency ratings when using alternative nozzles

Direct Vent units require the use of Olsen/Airco specific Vent Kit and Termination

| WML / WMLV / MPLV (Use Furnace Multiplier for all of the Following) |             |  |             |
|---|-------------|--|-------------|
| Model   | Item Number | Description  | Trade Price |
| WML/WMLV  | 6000075     | WML C Downflow Floor Base  | \$135       |
| WML/WMLV  | 30554       | WML-C Vestibule Kit (Non-Vested Unit)                                  | \$525       |
| WML/WMLV  | 240006906   | Kit #40LKT310 - 10' x 3" Flex Vent, Terminal Adaptor, Sealant (Z-Flex) | \$532       |
| WML/WMLV  | 240006907   | Kit #40LKT315 - 15' X 3" Flex Vent, Terminal Adaptor, Sealant (Z-Flex) | \$694       |
| WML/WMLV  | 240006908   | Kit #40LKT320 - 20' X 3" Flex Vent, Terminal Adaptor, Sealant (Z-Flex) | \$868       |
| WML   | 29880       | Low Fire Kit (.50GPH)  | \$80        |
| MPLV  | 6000073     | MPL-B Downflow Floor Base  | \$214       |
| MPLV  | 240006909   | Kit #40LKT410 - 10' X 4" Flex Vent, Terminal Adaptor, Sealant (Z-Flex) | \$565       |
| MPLV  | 240006910   | Kit #40LKT415 - 15' X 4" Flex Vent, Terminal Adaptor, Sealant (Z-Flex) | \$745       |
| MPLV  | 240006911   | Kit #40LKT420 - 20' X 4" Flex Vent, Terminal Adaptor, Sealant (Z-Flex) | \$924       |

## TERMS & CONDITIONS OF SALE - GENERAL TERMS

**PRICES & SPECIFICATIONS:** All pricing and specifications subject to change without notice. The prices herein supersede all prior quotations.

**ORDERS:** Orders will be accepted based on prices in effect at the time the order is received. No order or contract will become an obligation on our part until accepted by the General Sales Department. ECR International shall not be liable for any delay or failure in the delivery or shipment of goods due to any cause or causes beyond its control.

**TAXES:** Add to the prices and terms quoted any manufacturers' or sales tax payable on the transaction under any effective statute.

---

### SHIPMENTS

**TRUCKLOADS:** \$50,000 Net Order Value - Freight Prepaid. Indirect Water Heaters and Commercial Boiler lines can be added to any residential order for freight purposes. Authorized Distributors can combine Argo, Airco, Dunkirk, EMI, Olsen, Pennco, Utica Boilers and Utica Heating on one purchase order to earn free freight.

Stop off charges of \$150 will apply to stop off locations within 100 miles of the final destination. Please call for pricing for stop off special handling for a location further than 100 miles or for special handling pricing for services such as lift gate, unloading assistance, etc.

**LESS THAN TRUCKLOAD SHIPMENT: F.O.B. ECR INTERNATIONAL - FACTORY OR WAREHOUSE**

**See Shipping and Delivery Policy for full details.**

---

### SALES ORDER INFORMATION CHECK LIST

The following information must be included on equipment or parts orders to insure proper shipment & invoicing:

- |  |  |
|--|--|
| 1) Purchase Order Number                       | 7) Pricing   |
| 2) Bill to Address                             | 8) Product Description (Model, Size, etc.)   |
| 3) Ship to Address                             | 9) Fuel Type (Oil, Natural Gas, Propane)   |
| 4) Method of Shipment (trailer load, UPS)      | 10) Electrical (Operating Voltage, Cycles, Phases, etc.)   |
| 5) Requested Ship Date                         | 11) Non-Standard Equipment (Indicate "Optional" when substituted for standard equipment at extra cost listed. Indicate added to standard equipment.) |
| 6) Special Instructions ("Carrier to call...") | 12) Kits or Parts (Orders for kits or parts must indicate equipment size and series.)  |

Send orders to:

**E-mail: [ecrorderentry@ecrinternational.com](mailto:ecrorderentry@ecrinternational.com)**

**Fax: (315) 724-9319**

Please note the following Remit to Address:

**ECR International, Inc.**

**P.O. Box 8000 Department 039**

**Buffalo, NY 14267**



## SHIPPING AND DELIVERY POLICY

| Order type/value*                   | Freight Charge*           |
|-------------------------------------|---------------------------|
| All UPS, Fed Ex, DHL etc. shipments | Actual Freight Cost Apply |
| \$0 - \$5,000                       | Actual Freight Cost Apply |
| \$5,001 - \$15,000                  | \$300                     |
| \$15,001 - \$49,999                 | \$250                     |
| \$50,000+**                         | FFA                       |

\*The above freight terms apply to single purchase orders or combined purchases orders from one company with one stop totaling the above reference tiers. Additional stops will incur additional charges. Pooling from multiple companies is not allowed under this freight program.

\*\*Orders of \$50K or more from one company with multiple stops will incur a \$150 stop-off charge per stop after the first. Each stop-off location must be within 100 miles or additional charges will apply.

Because of the nature of packaging and shipping constraints EMI, Enviroair and Retroaire do not qualify for this program unless prior approval is obtained.

Except for FFA qualifying orders, the above US shipping rates apply to shipments east of the Mississippi River. If shipments are outside of that area actual freight rates will apply.

These rates apply to destinations where no special delivery requirements are needed. Additional charges will apply when special handling and delivery is incurred. Pre-shipment notification of any special shipping or handling provisions is required. Unless otherwise noted all products will be shipped FOB Shipping Point and transfer of ownership and responsibility is assumed by the customer for all loss or damage. ECR International will not be held liable for any damage, loss or costs which occur due to shipping delay. ECR retains the right to change or alter this program without notice and without penalty

As a reminder, orders of boilers, furnaces, air-conditioning and controls can be combined to achieve freight tiers.

If you have any questions, please contact your ECR representative or ECR Regional Sales Manager.

## U.S. DISTRIBUTOR - RETURN MATERIAL POLICY (RMA)

**Prior Approval Required** - All returns for exchange, credit, repair service or warranty claim must be approved by ECR International and require an RMA number prior to return of the material. A request must be completed via the online web portal. Please log on to [www.ecrcustomerportal.com](http://www.ecrcustomerportal.com) to complete your request for return. If you do not already have access to the customer web portal, please contact ECR International Customer Service at 1-800-325-5479 to be set-up.

**Eligibility** – An RMA Request must be received within 60 days from the date of invoice for returns of New & Unused product in original packaging. A restocking fee of 15% will be charged for all new and unused returns that are approved for return. Special Order Products (items not offered as standard in ECR International trade price book) are not eligible for return as new and unused product. Request for Warranty Returns must be made within the period covered by the warranty and must fall under the terms and conditions specified in the warranty.

**Repair Service** - Request for repair or rework of product damaged by customer is classified as Repair Service. Repair Service is billed at \$75.00 per hour for labor and net price for parts used in repair/rework. ECR International's Return Material (RM) department will evaluate the items returned for repair service. The customer will receive an estimate for the dollar amount, determined by ECR International's RM department, required to complete the repairs requested. A Purchase Order (PO) from the customer for that amount will be required before any work is performed.

**RMA Expiration Parts** - Once the RMA number is issued, the product must be returned within 60 days of the RMA date, or the RMA will be canceled. Products approved for return that are received after 60 days from the RMA date will not be accepted.

**Shipping & Packaging** - All returns must have a valid RMA number clearly displayed on the exterior of the package or the package will not be accepted. All returns of new and unused product must be in the original packaging. All returns must be shipped prepaid by the customer unless otherwise directed by ECR as indicated on the RMA Verification. Ship all approved return material to the facility indicated on the approved RMA Request by the date indicated.

**Replacement Product** - If replacement product is desired it must be indicated on the RMA Request. A PO# is required for the replacement shipment and must be indicated on the RMA Request. All replacement products will be invoiced at the time of shipment. ECR will pay the ground freight for all warranty replacements.

**Application of Credit** - Credit for returned product will be applied to the customer's account (less restocking fees for New and Unused returns) only after confirmation of receipt by ECR and inspection of the product. Issuance of a credit for a partial return of product does not relieve the customer from the obligation to remit payment for the merchandise not returned in accordance with the payment terms referenced on the customer's invoice(s). Customer will have the option to have any product that is denied for credit returned at their expense.

**Returning Installed Finished Goods** (Complete boilers, furnaces, A/C units etc.)

- Equipment that is already installed should be repaired not replaced. Exceptions: leaking cast iron boilers in their first year or leaking water tanks. Leaking drain valves on water tanks are replaceable, make sure the leak is not on the valve. Tanks returned with the only leak being on the valve will be denied.
- Cast iron blocks (not complete boilers) older than one year and Indirect tanks that are leaking do not require prior approval. Simply type "Leaking" into the Authorization field and it will be accepted. Complete Cast iron boilers within their first year will still require prior authorization for full boiler replacement.
- Water leaks on copper and condensing boilers are repairable and will require prior authorization for any reason for removal.
- To guarantee credit, if a situation arises where equipment does need to be replaced, **prior authorization** from ECR is required. This will ensure that ECR has visibility to the problem and has had an opportunity to correct it prior to removal. *All equipment considered for removal should first be brought to the attention of Technical Support at 1-800-253-7900.*
- If approved, an authorization number will be given that will need to be entered in the RMA on the Customer Portal.
- For equipment that is removed from service without prior authorization by ECR, contact Customer Service. They will evaluate the circumstance and can issue a conditional RMA. The equipment will be tested in our lab to determine if removal was warranted and if credit will be given.

**RMA Expiration Equipment** - Once the RMA number is issued, the product must be returned within 30 days of the RMA date, or the RMA will be canceled. Products approved for return that are received after 30 days from the RMA date will not be accepted.

**This page is intentionally left blank.**

**Olsen**<sup>®</sup>

**Airco**<sup>®</sup>

**Keeping Families Comfortable For More Than 60 Years**

[www.olsenhvac.com](http://www.olsenhvac.com)

[www.aircofurnaces.com](http://www.aircofurnaces.com)



2201 Dwyer Avenue, Utica, NY 13501  
Tel. 800 325 5479  
[www.ecrinternational.com](http://www.ecrinternational.com)

All specifications subject to change without notice.  
©2021 ECR International, Inc.  
PN 240005041 REV. L [12/21/2021]