

Olsen | Airco

Heating & Cooling Products



Oil-Fired Furnaces

**Customer Service
Technical Support**
Phone: 800-325-5479
Fax: 315-724-9319/866-432-7329
www.olsenhvac.com

Corporate Sales
Phone: 877-386-5475
Fax: 716-366-4670

Literature
literature@ecrinternational.com



ECR International: 2201 Dwyer Avenue, Utica, NY 13501
Tel. 315 797 1310 or 800 325 5479 Fax. 315 724 9319 www.ecrinternational.com

P/N 240005041 Rev. F 5/18

TABLE OF CONTENTS

Terms & RMA Policy	3-4
Multiposition Oil Furnaces	
UML/UMLV	5-7
WML/WMLV/MPL	8-10
Lowboy Oil Furnaces	
LRF/LRFV	11-13
BCL/BCL-S/BFL	14-16
BML/BMLV	17-18
Highboy Oil Furnaces	
HML/HMLV	19-20
HTL/HTLV	21-22
Air Conditioning	
GSX Condenser	23
CC & CE Cooling Coils	24

TERMS & CONDITIONS OF SALE - GENERAL TERMS

PRICES & SPECIFICATIONS: All pricing and specifications subject to change without notice. The prices herein supersede all prior quotations.

PAYMENT TERMS: Net 30 Days

ORDERS: Orders will be accepted on the basis of prices in effect at the time the order is received. No order or contract will become an obligation on our part until accepted by the General Sales Department. ECR International shall not be liable for any delay or failure in the delivery or shipment of goods due to any cause or causes beyond its control.

TAXES: Add to the prices and terms quoted any manufacturers' or sales tax payable on the transaction under any effective statute.

SHIPMENT

TRUCK LOADS: \$40,000 Net Order Value - Freight Prepaid. Indirect Water Heaters and Commercial Boiler lines can be added to any residential order for freight purposes.

Authorized Distributors can combine Argo, Airco, Dunkirk, EMI, Olsen, Pennco and Utica and on one purchase order to earn free freight.

Stop off charges of \$150 will apply to stop off locations within 100 miles of final destination. Please call for pricing for stop off special handling for a location further than 100 miles or for special handling pricing for services such as lift gate, unloading assistance, etc.

LESS THAN TRUCKLOAD SHIPMENT: F.O.B. ECR INTERNATIONAL - FACTORY OR WAREHOUSE

ORDER INFORMATION CHECKLIST

The following information must be included on equipment or parts orders to insure proper shipment & invoicing:

- 1) Purchase Order Number
- 2) Bill To Address
- 3) Ship To Address
- 4) Method of Shipment (i.e. - trailer load, UPS, etc.)
- 5) Requested Ship Date
- 6) Special Instructions (i.e. - "Carrier to call...")
- 7) Pricing
- 8) Product Description (i.e. - Model, Size, Series, etc.)
- 9) Fuel Characteristics (i.e. Oil, Natural Gas, Propane)
- 10) Electrical Characteristics (i.e. - Operating Voltage, Cycles, Phases, etc.)
- 11) Non-Standard Equipment (Indicate "Optional" when substituted for standard equipment at extra cost listed. Indicate "Additional" when added to standard equipment).
- 12) Kits or Parts (Orders for kits or parts must indicate equipment size and series).
- 13) Send orders to:

E-Mail: ecrorderentry@ecrinternational.com

Fax: 315-724-9319

- 14) Please note the following Remit To Address:

**ECR International, Inc.
P.O. Box 8000 Department 039
Buffalo, NY 14267**

Continued on Next Page

TERMS & CONDITIONS OF SALE - GENERAL TERMS CONTINUED
U.S. DISTRIBUTOR - RETURN MATERIAL POLICY - EFFECTIVE 8/18/2014

To assist in providing the best service to our valued customers, ECR International has developed the following guidelines to help you in the unlikely event that you will need to return merchandise purchased from us. These guidelines have been developed after carefully reviewing common industry practice. We trust that you find them fair and easy to follow.

Prior Approval Required - All returns for exchange, credit, repair service or warranty claim must be approved by ECR and require an RMA number prior to return of the material. A request must be completed via ECR International's online web portal. Please log on to www.ecrcustomerportal.com (hyperlink below) to complete your request for return. If you do not already have access to the customer web portal please contact ECR Customer Service at 1-800-325-5479 to be set-up.

Eligibility - An RMA Request must be received within 60 days from the date of invoice for returns of New & Unused product in original packaging. A restocking fee of 15% will be charged for all new and unused returns that are approved for return. Special Order Products (items not offered as standard in ECR trade price book) are not eligible for return as new and unused product. Request for Warranty Returns must be made within the period covered by the warranty and must fall under the terms and conditions specified in the warranty.

Repair Service - Request for repair or rework of product damaged by customer is classified as Repair Service. Repair Service is billed at \$75.00 per hour for labor and net price for parts used in repair/rework. ECR's Return Material (RM) department will evaluate the items returned for repair service. The customer will receive an estimate for the dollar amount, determined by ECR's RM department, required to complete the repairs requested. A Purchase Order (PO) from the customer for that amount will be required before any work is performed.

RMA Expiration - Once the RMA number is issued, the product must be returned within 90 days of the RMA date, or the RMA will be canceled. Products approved for return that are received after 90 days from the RMA date will not be accepted.

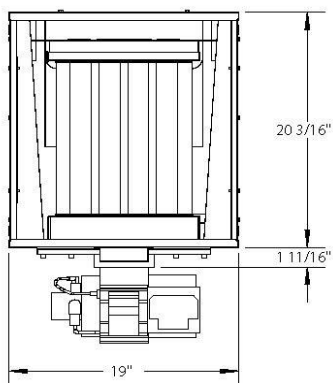
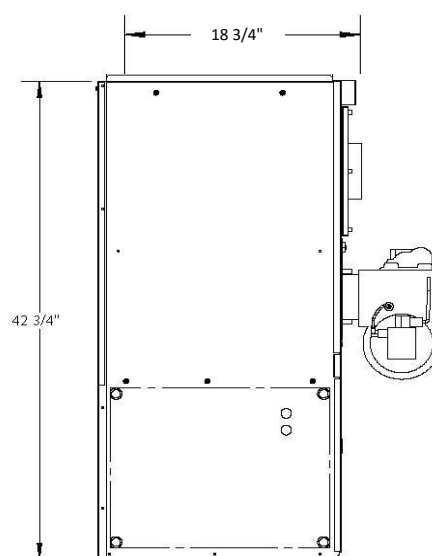
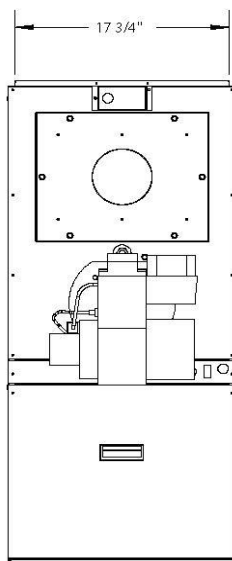
Shipping & Packaging - All returns must have a valid RMA number clearly displayed on the exterior of the package or the package will not be accepted. All returns of new and unused product must be in the original packaging. All returns must be shipped prepaid by the customer unless otherwise directed by ECR as indicated on the RMA Verification. Ship all approved return material to the facility indicated on the approved RMA Request by the date indicated.

Replacement Product - If replacement product is desired it must be indicated on the RMA Request. A PO# is required for the replacement shipment and must be indicated on the RMA Request. All replacement products will be invoiced at the time of shipment.

Application of Credit - Credit for returned product will be applied to the customer's account (less restocking fees for New and Unused returns) only after confirmation of receipt by ECR and inspection of the product. Issuance of a credit for a partial return of product does not relieve the customer from the obligation to remit payment for the merchandise not returned in accordance with the payment terms referenced on the customer's invoice(s). Customer will have the option to have any product that is denied for credit returned at their expense.

<http://www.ecrcustomerportal.com>

UML/UMLV SERIES A
MULTIPOSITION OIL FURNACES



General Information (See IOM for complete instructions)

	Clearance to Combustibles			
	UMLA and UMLVA			
	Location	Upflow	Downflow	Horizontal
Clearances *24" (610 mm) Service Clearance. **When using combustible floor sub base 550003032 for downflow on combustible floor.	Top	N/A	N/A	1" (26 mm)
	Bottom	0"	0"***	1" (26 mm)
	Plenum Top	1" (26 mm)	2" (52 mm)	1" (26 mm)
	Horizontal Duct	1" (26 mm)	2" (52 mm)	1" (26 mm)
	Rear	1" (26 mm)		
	Sides	1" (26 mm)	1" (26 mm)	N/A
	Front	18" (458 mm)*		
	Flue Pipe	5" (127 mm)		
	Flue Pipe to Beckett AFG Cover*	2.5" (64 mm)	2.5" (64 mm)	N/A
	Flue Pipe to Beckett NX Cover**	2.5" (64 mm)	N/A	N/A
	Enclosure	Closet		
Electrical	Power requirement for all UML models is: 120 VAC, 1 Ø, 60 Hz., 12A, MCA 10.8 amps, MOP 15.0 amps			

Dimensions

Model	Cabinet			Plenum Openings	Flue Diam.	Filter (Permanent)
	Width	Length	Height			
	A	B	C			
UMLA UMLVA	19"	20 3/16"	42 3/4"	Supply 17 3/4" W x 18 3/4" D (45.1 cm x 47.6 cm)	5" (12.7 cm)	16" x 20" x 1"
	(48.3 cm)	(51.3 cm)	(108.6 cm)	Return (Side & Bottom)		
	Shp. Wgt. 188 lbs (85.5 Kg.)			14" x 18" (35.6 cm x 45.7 cm)		

* Beckett AFG with Cover is approved for upflow and downflow installation only

**Beckett NX with Cover approved for upflow installation only

UMLA/UMLVA MULTIPOSITION SERIES CONTINUED

UMLA/UMLVA - MULTIPOSITION - CHIMNEY VENT - FRONT FLUE

MODEL	SKU	TRADE PRICE	FIR. RATE GPH	INPUT/ OUTPUT MBH	AFUE	BURNER	DIRECT DRIVE BLOWER	AC RANGE IN TONS (CFM RANGE)
UML80A	UML080210411106	\$2,542	0.65	91/78	87.0%	BECKETT AFG	1/2 HP PSC	3 Tons (738-1339)
UMLV80A*	UML080210412106	\$2,995					1/2 HP ECM	Up to 4 Tons (680-1500)
UML80ARF	UML080240411106	\$2,837			86.3%	RIELLO 40F3	1/2 HP PSC	3 Tons (738-1339)
UMLV80ARF*	UML080240412106	\$3,289					1/2 HP ECM	Up to 4 Tons (680-1500)
UML80AC	UML080280411106	\$2,542			86.3%	CARLIN EZ-LF	1/2 HP PSC	3 Tons (738-1339)
UMLV80AC*	UML080280412106	\$2,995					1/2 HP ECM	Up to 4 Tons (680-1500)

*Indicates an ENERGY STAR rated model.

Four Firing Rates: .55, .65, .75 and .85 gph - Alternative nozzles furnished with furnace.

UMLA/UMLVA - MULTIPOSITION - CHIMNEY VENT - LESS BURNER

MODEL	SKU	TRADE PRICE	FIR. RATE GPH	INPUT/ OUTPUT MBH	AFUE	DIRECT DRIVE BLOWER	AC RANGE IN TONS (CFM RANGE)
UML80ALB	UML080260411106	\$1,760	Dependent on Burner Application			1/2 HP PSC	3 Tons (738-1339)
UMLV80ALB	UML080260412106	\$2,212				1/2 HP ECM	Up to 4 Tons (680-1500)

UMLA/UMLVA - MULTIPOSITION - DIRECT VENT - LESS BURNER

MODEL	SKU	TRADE PRICE	FIR. RATE GPH	INPUT/ OUTPUT MBH	AFUE	DIRECT DRIVE BLOWER	AC RANGE IN TONS (CFM RANGE)
UML80ALBU	UML080262411106	\$1,992	Dependent on Burner Application			1/2 HP PSC	3 Tons (738-1339)
UMLV80ALBU	UML080262412106	\$2,372				1/2 HP ECM	Up to 4 Tons (680-1500)

USE FURNACE MULTIPLIER FOR ALL OF THE FOLLOWING

	PN	TRADE
Combustible Floor Base (Required for Downlow installations on combustible flooring)	550003032	\$94
Optional Beckett Burner Cover for Beckett AFG	240010859	\$175
Blocked Vent Safety Switch (Optional for US)	3002237	\$95
Burner In A Box - Beckett AFG w/ Cover - UML Chimney Vent Kit	550003080	\$820
Burner In A Box - Beckett AFG Less Cover - UML/LRF CV Kit	550003430	\$783
Burner in A Box - Riello F3 - UML/LRF Chimney Vent Kit	550003431	\$1,076
Burner in A Box - Carlin EZ-LF - UML/LRF Chimney Vent Kit	550003432	\$783
Burner in A Box - Riello BF3 - UML/LRF Direct Vent Kit	550003433	\$1,183
Burner in A Box - Riello BF5 - UML/LRF Direct Vent Kit	550003434	\$1,197
Burner in A Box - Beckett NX w/ Cover - UML Direct Vent Kit	550003127	\$940
Burner in A Box - Beckett NX Less Cover - UML/LRF Direct Vent Kit	550003435	\$899

USE FURNACE MULTIPLIER FOR ALL OF THE FOLLOWING	PN	TRADE
DIRECT VENT ACCESSORIES		
4" x 10' Vent Kit	240006909	\$478
4" x 15' Vent Kit	240006910	\$630
4" x 20' Vent Kit	240006911	\$782
Vent Terminal	28972	\$582
Riser Vent Terminal	29231	\$1,367

UMLA/UMLVA STANDARD EQUIPMENT

STANDARD EQUIPMENT:

Low Profile 42.75" Cabinet - Easily accommodates larger, high efficiency "A" coils in all job sites. Jacket is 22 gauge with 1/2" fiber reinforced foil faced fiberglass insulation. Closet rated for 1" clearances.

Dual-Pass Chamberless Heat Exchanger - 409 stainless steel first pass drum and aluminized steel tube second pass. Stainless steel turbulators in each tube maximizes efficiency. Combination offers low pressure drop and large heat transfer surface ensuring high efficiency. 100% pressure tested.

Fan Limit - A snap disc limit is smartly located to eliminate potential overheating and premature heat exchanger fatigue.

Electronic Fan Timer Control - Located on full rail slide out blower deck for easy access for wiring, adjustment and service. Wiring is color coded, equipped with connections for easy air conditioning, humidifier and air cleaner installation. A terminal strip is also supplied for thermostat connections.

Beckett AFG Oil Burner - Includes factory supplied solenoid valve on pump for cleaner and quieter operation with reduced maintenance. An optional Beckett burner cover is available - item #240010859. Loosen the mounting bolts from the keyhole flange to easily remove/mount the burner. Four Firing rates to serve a wide range of applications. Alternative nozzles furnished with furnace. Optional Riello and Carlin oil burners also available.

Blower Assembly - Slides out on full rails for easy access and service. PSC 4 speed or ECM constant CFM variable speed.

Sight Glass and Sample Port - Large sight glass for observing flame and separate sample port for measuring draft overfire.

Washable Filter System - Features filter rack and a washable filter. The filter rack can double as a transition piece if the installer wishes to use a Buffalo Boot instead.

Direct vent furnace includes appliance adapter to connect vent kit
 Direct vent kits include vent terminal connector and sealant
 Direct vent burner in a box kits include applicable air intake collar(s).

WML/WMLV SERIES C/MPL SERIES B
MULTIPOSITION OIL FURNACES



WML-C / WMLV-C & MPL-B
Down Flow

WML-C / WMLV-C & MPL-B
Horizontal

Clearances				Clearance to Combustibles			
				WML/WMLV/MPL			
				Downflow	Horizontal		
(1) Required distances measured from furnace.	Top		0"		3"		
	Bottom		0"*		1"		
	S/A Plenum		1"		1"		
	Rear		1"		1"		
	Sides		1"		1"		
	Front		10"***		10"***		
	Flue Pipe		18"		18"		
Enclosure				Closet			
*When using factory supplied combustible floor base.							
***24" is required for servicing.							
All models may be installed on combustible floors.							
Electrical		(120 Volts AC, 60 hertz, 1 phase, 12 Amps)					
Dimensions							
Model	Cabinet			Plenum Openings		Flue Diam. J	Filter (Permanent)
	Width A	Length B	Height C	Supply	Return Side/Bottom		
WML/WMLV	22"	22-1/8"	55-1/4"	19" x 19"	18" x 18"	5"	20" x 20" x 1"
MPL	22-1/4"	22-1/4"	62"	20-1/2" x 20-1/2"	18" x 18"	6"	20" x 20" x 1"

WML/WMLV/MPL MULTIPOSITION SERIES CONTINUED

WML/WMLV - MULTI- POSITION - FRONT FLUE

MODEL	SKU	TRADE PRICE	FIR. RATE GPH	INPUT/ OUTPUT MBH	AFUE	VENT	BURNER	MOTOR DRIVE	AC RANGE IN TONS	SHIP WGT. (LBS.)
WML60C2	34306080	\$2,893	0.50	70/59	83.3%	CHIM.	BECKETT AF	1/2 HP DIRECT	2 - 3 TONS (760 - 1500)	265
WML60C2**	34306040	\$3,201						275		
WMLV60C2	34306076	\$3,805						265		
WMLV60C2**	34306046	\$4,108						275		
WML80CNX2	34308085	\$2,957	0.65	91/77	85.5%	CHIM.	BECKETT NX	1/2 HP DIRECT		265
WMLV80CNX2	34308090	\$3,868						1/2 HP ECM		265
WML80CRF2	34308073	\$3,365	0.65	91/76	83.3%	CHIM.	RIELLO 40F3	1/2 HP DIRECT		265
WMLV80CRF2	34308078	\$4,195						1/2 HP ECM		265
WML80CB2U2	34308072C	\$4,132	0.65	91/75	83.6%	DIR.*	BECKETT AFII-85	1/2 HP DIRECT		265
WMLV80CB2U2	34308077C	\$4,910						1/2 HP ECM		265
WML80CRBU2	34308074C	\$4,427	0.65	91/78	86.1%	DIR.*	RIELLO 40BF3	1/2 HP DIRECT		265
WMLV80CRBU2	34308079C	\$5,289						1/2 HP ECM		265

* Direct Vent units require the use of Olsen/Airco specific Vent Kit and Termination.

** With Vestibule

MPL - MULTI- POSITION - FRONT FLUE

MODEL	SKU	TRADE PRICE	FIR. RATE GPH	INPUT/ OUTPUT MBH	AFUE	VENT	BURNER	PSC MOTOR DRIVE	AC RANGE IN TONS	SHIP WGT. (LBS.)
MPL120B2	34312070	\$3,231	1.00	140/118	83.3%	CHIM.	BECKETT AF	3/4 HP DIRECT	2 TO 3 TONS (1185 - 1331)	320
MPL120BRF2	34312073	\$3,778		140/117	83.8%	CHIM.	RIELLO 40F5			320
MPL120BB2U2	34312072C	\$4,251		140/118	84.8%	DIR.*	BECKETT AFII-150			323

WML/WMLV/MPL MULTIPOSITION SERIES CONTINUED

* Direct Vent units require the use of Olsen/Airco specific Vent Kit and Termination.

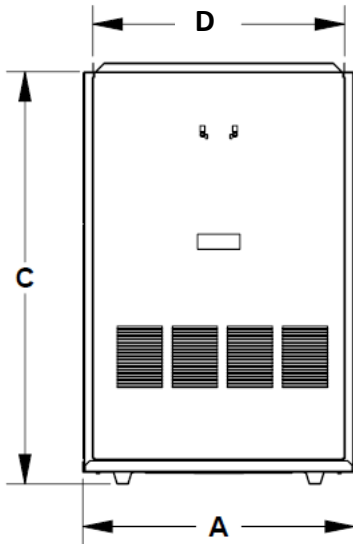
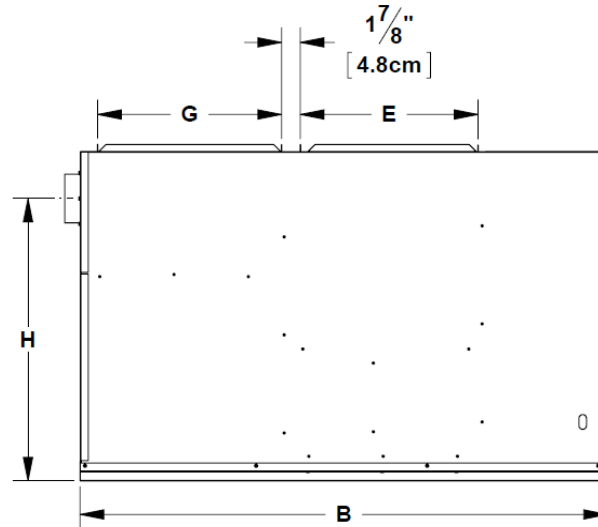
USE FURNACE MULTIPLIER FOR ALL OF THE FOLLOWING	PN	TRADE
WML C Downflow Floor Base	6000075	\$114
WML-C Vestibule Kit (Non-Vested Unit)	30554	\$444
Conversion Kit to WML90	36000069	\$47
Low Fire Kit (.50GPH) WML	29880	\$68
Kit #40LKT310 WML 10' x 3" Flex Vent, Terminal Adaptor & Sealant (Z-Flex)	240006906	\$450
Kit #40LKT315 WML 15' X 3" Flex Vent, Terminal Adaptor & Sealant (Z-Flex)	240006907	\$587
Kit #40LKT320 WML 20' X 3" Flex Vent, Terminal Adaptor & Sealant (Z-Flex)	240006908	\$735
MPL-B Downflow Floor Base	6000073	\$181
Kit #40LKT410 MPL 10' X 4" Flex Vent, Terminal Adaptor & Sealant (Z-Flex)	240006909	\$478
Kit #40LKT415 MPL 15' X 4" Flex Vent, Terminal Adaptor & Sealant (Z-Flex)	240006910	\$630
Kit #40LKT420 MPL 20' X 4" Flex Vent, Terminal Adaptor & Sealant (Z-Flex)	240006911	\$782

WML/WMLV/MPL STANDARD EQUIPMENT

STANDARD EQUIPMENT: Heat Exchanger – Proven heat exchanger design featuring 100% welded construction for maximum performance. Large accessible clean out ports.
 Radiator – “Wrap-around” style for maximum heat transfer.
 Cabinet construction – 22 gauge steel cabinet ensures strength and quiet operation. WML/WMLV models maybe factory equipped with vestibule compartment to enclose burner and controls. Vestibule compartment for WML/WMLV also available as an aftermarket kit for non factory equipped units.
 Insulation – Spun glass and aluminum foil for “hand-cool” cabinet.
 Burner – Equipped with industry leading Beckett or Riello oil burners which include oil solenoid valve, PSC motor and solid state controls. Factory assembled, wired and tested. Ready to connect to fuel line.
 Barometric Draft Control – Included with all chimney vent models.
 Blower – Direct drive type. Permanently lubricated, resilient mounted.
 PSC Blower Motor (WML/MPL Models) – Designed for heavy duty continuous operation. Thermally protected. Four-speed is standard with ½ HP (WML) and ¾ HP (MPL) direct drive models.
 ECM Variable Speed Blower Motor (WMLV Models) – Maximizes air conditioner efficiencies, reduces electrical operating costs and enhances comfort with programmed ramp up and ramp down operation. Available on ½ HP direct drive models.
 Blower Assembly – Full length slide out blower tray allows entire blower assembly to be easily removed for servicing.
 Controls – (UTE) Electronic fan timer control is standard on all models.
 Air conditioning – Fan timer control is AC ready.
 Filter Racks and Washable Air Filters – Included with all models.
 Alternate firing rates available for a wide variety of applications (alternate nozzles are field supplied).
 Direct Vent Models – Include Beckett AFII-85 (WML/WMLV) or Beckett AFII-150 (MPL) or Riello 40BF3 (WML) oil burner with pressure switch system for proving airflow, intake air collar and vent adapter. Vent pipe kits sold separately.

Vent to Appliance adapter included (WML PN 240006902, MPL PN 240006903)

LRF/LRFV LOWBOY SERIES
LOWBOY OIL FURNACES



General Information (See IOM for complete instructions)

Clearance to Combustibles

Location	LRF and LRFV
Top	1" (26mm)
Bottom	0"
Plenum Top	1" (26 mm)
Rear	6" (152 mm)*
Sides	1" (26 mm)**
Front	1" (26 mm)*
Flue Pipe	5" (127 mm)
Enclosure	Closet

***24" (610 mm) Service Clearance**
****18" (457 mm) required from one side for access to rear**

Electrical

Power requirement for all LRF models is: 120 VAC, 1 Ø, 60 Hz., 12A, MCA 10.8 amps, MOP 15.0 amps

Dimensions

Model	Cabinet			Plenum Openings	Flue Diam.	Filter (Permanent)
	Width	Depth	Height			
LRF/LRFV	A	B	C	Supply (D x E)	5" (12.7 cm)	20" x 20" x 1" (51 cm x 51 cm x 2.5 cm)
	(55.9 cm)	(135.9 cm)	(85.4 cm)	20-1/2" x 18"		
	Shp. Wgt. 240 lbs (108 Kg.)			Return (D x G)	29" (73.7 cm)	
				20-1/2" x 18-5/8"		

LRF/LRFV LOWBOY SERIES CONTINUED								
LRF/LRFV LOWBOY - CHIMNEY VENT - REAR FLUE								
MODEL	SKU	TRADE PRICE	FIR. RATE GPH	INPUT/ OUTPUT MBH	AFUE	BURNER	BLOWER	AC RANGE IN TONS (CFM RANGE) @ 0.5" ESP
LRF80	LRF080010413006	\$2,716	0.65	91/78	85.9%	BECKETT AFG	1/2 HP BELT	N/A
LRF80	LRF080210411006	\$2,607					1/2 HP PSC DIRECT	Up to 3 Tons (766-1249)
LRFV80*	LRF080210412006	\$3,452					1/2 HP ECM DIRECT	Up to 4 Tons (680-1600)
LRF80RF	LRF080040413006	\$3,010		91/77	86.4%	RIELLO 40F3	1/2 HP BELT	N/A
LRF80RF	LRF080240411006	\$2,900					1/2 HP PSC DIRECT	Up to 3 Tons (766-1249)
LRFV80RF*	LRF080240412006	\$3,745					1/2 HP ECM DIRECT	Up to 4 Tons (680-1600)
LRF80C	LRF080080413006	\$2,716		91/78	85.9%	CARLIN EZ-LF	1/2 HP BELT	N/A
LRF80C	LRF080280411006	\$2,607					1/2 HP PSC DIRECT	Up to 3 Tons (766-1249)
LRFV80C*	LRF080280412006	\$3,452					1/2 HP ECM DIRECT	Up to 4 Tons (680-1600)
*Indicates an ENERGY STAR rated model.								
Four Firing Rates: .55, .65, .75 and .85 gph - Alternative nozzles furnished with furnace.								
LRF/LRFV LOWBOY - CHIMNEY VENT - LESS BURNER								
MODEL	SKU	TRADE PRICE	FIR. RATE GPH	INPUT/ OUTPUT MBH	AFUE	BURNER	BLOWER	AC RANGE IN TONS (CFM RANGE) @ 0.5" ESP
LRF80LB**	LRF080060413006	\$1,933	Dependent on Burner Application				1/2 HP BELT	N/A
LRF80LB**	LRF080260411006	\$1,824					1/2 HP PSC DIRECT	Up to 3 Tons (766-1249)
LRFV80LB**	LRF080260412006	\$2,669					1/2 HP ECM DIRECT	Up to 4 Tons (680-1600)
**Model number is less burner. Burner must be purchased separately.								
LRF/LRFV LOWBOY - DIRECT VENT - LESS BURNER								
MODEL	SKU	TRADE PRICE	FIR. RATE GPH	INPUT/ OUTPUT MBH	AFUE	BURNER	BLOWER	AC RANGE IN TONS (CFM RANGE) @ 0.5" ESP
LRF80LBU**	LRF080262411006	\$2,456	Dependent on Burner Application				1/2 HP PSC DIRECT	Up to 3 Tons (766-1249)
LRFV80LBU**	LRF080262412006	\$2,865					1/2 HP ECM DIRECT	Up to 4 Tons (680-1600)
USE FURNACE MULTIPLIER FOR ALL OF THE FOLLOWING					PN	TRADE		
Blocked Vent Safety Switch (Optional for US)					30690	\$85		
Burner In A Box - Beckett AFG Less Cover - UML/LRF CV Kit					550003430	\$783		
Burner in A Box - Riello F3 - UML/LRF Chimney Vent Kit					550003431	\$1,076		
Burner in A Box - Carlin EZ-LF - UML/LRF Chimney Vent Kit					550003432	\$783		
Burner in A Box - Riello BF3 - UML/LRF Direct Vent Kit					550003433	\$1,183		
Burner in A Box - Riello BF5 - UML/LRF Direct Vent Kit					550003434	\$1,197		
Burner in A Box - Beckett NX Less Cover - UML/LRF Direct Vent Kit					550003435	\$899		

DIRECT VENT ACCESSORIES		
4" x 10' Vent Kit	240006909	\$478
4" x 15' Vent Kit	240006910	\$630
4" x 20' Vent Kit	240006911	\$782
Vent Terminal	28972	\$582
Riser Vent Terminal	29231	\$1,367

LRF/LRFV STANDARD EQUIPMENT

STANDARD EQUIPMENT:

Three-Pass Chamberless Heat Exchanger - 409 stainless steel first pass drum and aluminized steel tube second and third passes. Stainless steel turbulators in each second pass tube maximizes efficiency. Combination offers low pressure drop and large heat transfer surface ensuring high efficiency. 100% pressure tested.

Fan Limit - A snap disc limit is smartly located to eliminate potential overheating and premature heat exchanger fatigue.

Electronic Fan Timer Control - Located in vestibule for easy access for wiring, adjustment and service. Wiring is color coded, equipped with connections for easy air conditioning, humidifier and air cleaner installation. A terminal strip is also supplied for thermostat connections.

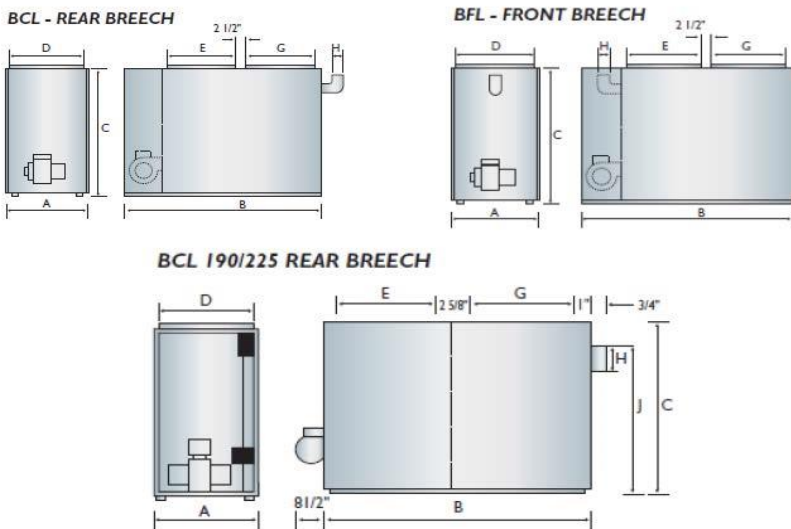
Beckett AFG Oil Burner - Includes factory supplied solenoid valve on pump for cleaner and quieter operation with reduced maintenance. Loosen the mounting bolts from the keyhole flange to easily remove/mount the burner. Four Firing rates to serve a wide range of applications. Alternative nozzles furnished with furnace. Optional Riello and Carlin oil burners also available.

Blower Assembly - Direct Drive PSC 4 speed or Direct Drive ECM constant CFM variable speed or belt drive single speed.

Sight Glass and Sample Port - Large sight glass for observing flame and separate sample port for measuring draft overfire.

Washable Filter System - Features filter rack and a washable filter.

BCL/BCL-S/BFL
LOWBOY OIL FURNACES



General Information (See IOM for complete instructions)

Clearances	Clearance to Combustibles		
	BCL-S & BFL	BCL High Cap.	
(1) Required distances measured from furnace.	Top	1"	3"
	Bottom	0"	0"
	S/A Plenum	1"	3"
	Rear	6"*	24"
	Side 1	6"*	6"***
	Side 2	24"	18"
	Front	24"	24"
	Flue Pipe	18"	18"
	Enclosure	Standard	Standard

*24" Required Service Clearance

**Required on one side only for service to rear.

All models may be installed on combustible floors.

Electrical (120 Volts AC, 60 hertz, 1 phase)	Factory Equipped Blower		Amps
	1/3 and 1/2 HP		12
	3/4 HP Belt Drive and 1 HP Direct Drive		15
	1 HP Belt Drive		20

Dimensions

Model	Cabinet			Plenum Openings	Flue		Filter (Permanent)
	Width	Length	Height	Supply/Return	Diameter	Height	
	A	B	C	D X E(Supply)/F x G (Return)	H	J	
BCL-S	22"	51-1/2"	41"	20-1/2" x 18-5/8"	6"	37-1/4"	20" x 25" x 1"
BFL	22"	51-1/2"	41"	20-1/2" x 18-5/8"	6"	38-1/4"	20" x 25" x 1"
BCL High Capacity	26"	49"	56"	24" x 22"	7"	47"	20" x 25" x 1" (2)

BCL/BCL-S/BFL LOWBOY SERIES CONTINUED

BCL - LOWBOY - REAR FLUE

MODEL	SKU	TRADE PRICE	FIR. RATE GPH	INPUT/ OUTPUT MBH	AFUE	VENT	BURNER	PSC MOTOR DRIVE	AC RANGE IN TONS	SHIP WGT. (LBS.)
BCL120S2	32312062	\$2,902	1.00	140/118	84.4%	CHIM.	BECKETT AF	1/3 HP BELT	N/A	290
BCL120S2	32312009	\$2,782						1/2 HP DIRECT	3 - 4 TONS (1000-1600)	
BCL120ST2	32312005	\$3,285						1 HP DIRECT	3 - 5 TONS (1300-2000)	
BCL145S2	32314563	\$3,503	1.20	168/141	84.0%	CHIM.	BECKETT AF	1/2 HP BELT	3 - 4 TONS (1000-1600)	290
BCL145S2	32314509	\$3,379						1/2 HP DIRECT	3 - 5 TONS (1300-2000)	
BCL145ST2	32314505	\$4,118						1 HP DIRECT	3 - 5 TONS (1300-2000)	
BCL190	32319070	\$5,917	1.65	231/194	83.7% T	CHIM.	BECKETT AF	3/4 HP BELT	3 - 4 TONS (1300-1550)	453
BCL 190/225	32319072	\$6,286						1 HP BELT	3 - 5 TONS (1600-2200)	464
BCL100SRF2	32310017	\$3,632	0.85	119/102	86.2%	CHIM.	RIELLO 40F3	1/2 HP DIRECT	3 - 4 TONS (1000-1600)	280
BCL100SB2U2	32310013C	\$3,720			86.0%	DIR.*	BECKETT AFII-150	1/2 HP DIRECT		290

T=Thermal Efficiency

* Direct Vent units require the use of Olsen/Airco specific Vent Kit and Termination.

BFL - LOWBOY - FRONT FLUE

MODEL	SKU	TRADE PRICE	FIR. RATE GPH	INPUT/ OUTPUT MBH	AFUE	VENT	BURNER	MOTOR DRIVE	AC RANGE IN TONS	SHIP WGT. (LBS.)
BFL120-2	32312045	\$2,926	1.00	140/114	83.0%	CHIM.	BECKETT AF	1/3 HP BELT	N/A	280
BFL120-2	32312001	\$2,813						1/2 HP DIRECT	3 - 4 TONS (1000- 1600)	
BFL120T2	32312006	\$3,312						1 HP DIRECT	3 - 5 TONS (1300-2000)	290
BFL145NX2	32314547	\$3,644	1.20	168/137	83.1	CHIM.	BECKETT NX	1/2 HP BELT	3 - 4 TONS (1000-1600)	280
BFL145NX2	32314544	\$3,486						1/2 HP DIRECT	3 - 5 TONS (1300-2000)	
BFL145TNX2	32314507	\$3,984						1 HP DIRECT	3 - 5 TONS (1300-2000)	
BFL100RF2	32310023	\$3,513	0.85	119/102	85.3%	CHIM.	RIELLO 40F3	1/2 HP DIRECT	3 - 4 TONS (1000-1600)	280
BFL100B2U2	32310015C	\$3,946		119/101	85.4%	DIR.*	BECKETT AFII-150	1/2 HP DIRECT		

T=Thermal Efficiency

* Direct Vent units require the use of Olsen/Airco specific Vent Kit and Termination.

BCL/BCL-S/BFL LOWBOY SERIES CONTINUED

USE FURNACE MULTIPLIER FOR ALL OF THE FOLLOWING		
	PN	TRADE
Kit #40LKT410 BCL/BFL 10' X 4" Flex Vent, Terminal Adaptor & Sealant (Z-Flex)	240006909	\$478
Kit #40LKT415 BCL/BFL 15' X 4" Flex Vent, Terminal Adaptor & Sealant (Z-Flex)	240006910	\$630
Kit #40LKT420 BCL/BFL 20' X 4" Flex Vent, Terminal Adaptor & Sealant (Z-Flex)	240006911	\$782
Concentric Intake/Vent Terminal BCL/BFL	28972	\$582
Riser Type Intake/Vent Terminal BCL/BFL	29231	\$1,367

BCL/BCL-S/BFL STANDARD EQUIPMENT

STANDARD EQUIPMENT:

Heat Exchanger – Proven heat exchanger design featuring 100% welded construction for maximum performance. Large accessible clean out ports.

Radiator – “Wrap-around” style for maximum heat transfer.

Cabinet construction – 22 gauge steel cabinet ensures strength and quiet operation. Access door easily removed for easy access to enclosed burner and controls.

Insulation – Spun glass and aluminum foil for “hand-cool” cabinet.

Burner – Equipped with industry leading Beckett or Riello oil burners which include oil solenoid valve, PSC motor and solid state controls. Factory assembled, wired and tested. Ready to connect to fuel line.

Barometric Draft Control – Included with all chimney vent models.

Blower – Direct drive or belt drive type. Permanently lubricated, resilient mounted.

PSC Blower Motor – Designed for heavy duty continuous operation. Thermally protected. Four-speed is standard with ½ HP direct drive models. Three-speed is standard with 1 HP direct drive models. Single speed with adjustable motor pulley is standard with belt drive models.

Blower Assembly – Entire unit can be easily removed for servicing.

Controls – (Honeywell) fan and limit control is standard on all models.

Air conditioning – Prewired fan center relay is standard on all direct drive models.

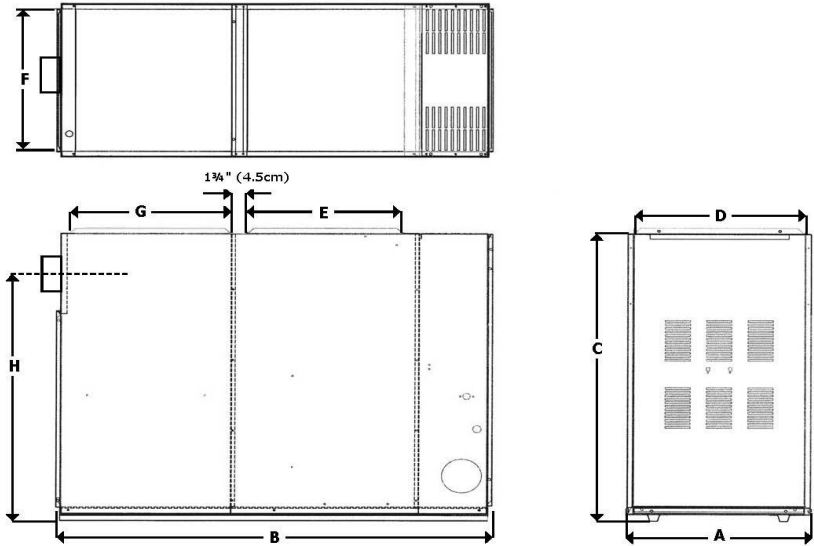
Filter Racks and Washable Air Filters – Included with all models.

Alternate firing rates to fit a wide variety of applications (alternate nozzles are field supplied).

Direct Vent Models – Include Beckett AFII-150 oil burner with pressure switch system for proving airflow, intake air collar and vent adapter. Vent pipe kits sold separately.

Vent to Appliance adapter included (BCL PN 240006905, BFL PN 240006903)

BML/BMLV SERIES B
LOWBOY OIL FURNACES



General Information (See IOM for complete instructions)

Clearances		Clearance to Combustibles BML and BMLV	
(1) Required distances measured from furnace.	Top	1"	
	Bottom	0"	
	S/A Plenum	1"	
	Rear	6"***	
	Sides	1"*	
	Front	1"***	
	Flue Pipe	4" measured horizontally or below flue pipe.	
		8" measured vertically or above flue pipe.	
Enclosure	Closet		

*18" Required for one side for access to rear.

**24" Service Clearance.

All models may be installed on combustible floors.

Electrical (115 Volts AC, 60 hertz, 1 phase, 12 Amps)

Dimensions

Model	Cabinet			Plenum Openings		Flue		Filter (Permanent)
	Width	Length	Height	Supply	Return	Diameter	Height	
	A	B	C	D x E	F x G	H	J	
BML/BMLV	22"	51-1/2"	32"	20-1/2" x 19"	20-1/2" x 18-1/2"	5"	26-1/4"	20" x 20" x 1"

BML/BMLV LOWBOY SERIES CONTINUED

BML/BMLV - LOWBOY - REAR FLUE

MODEL	SKU	TRADE PRICE	FIR. RATE GPH	INPUT/ OUTPUT MBH	AFUE	VENT	BURNER	MOTOR DRIVE	AC RANGE IN TONS	SHIP WGT. (LBS.)
BML80B2	32308075	\$2,797	0.65	91/76	84.0%	CHIM.	BECKETT AF	1/2 HP BELT	2 - 3.5 TONS (700-1400)	240
BML80B2	32308070	\$2,685						1/2 HP DIRECT		
BMLV80B2	32308076	\$3,556						1/2 HP ECM		
BML80BRF2	32308073	\$2,987	0.65	91/77	85.4%	CHIM.	RIELLO 40F3	1/2 HP DIRECT		240
BMLV80BRF2	32308078	\$3,752						1/2 HP ECM		
BML80BB2U2	32308072C	\$3,521	0.65	91/76	84.3%	DIR.*	BECKETT AFII-85	1/2 HP DIRECT		240
BMLV80BB2U2	32308077C	\$4,147						1/2 HP ECM		
BML80BRBU2	32308074C	\$4,538	0.65	91/78	86.1%	DIR.*	RIELLO 40BF3	1/2 HP DIRECT	240	
BMLV80BRBU2	32308079C	\$4,403						1/2 HP ECM		

* Direct Vent units require the use of Olsen/Airco specific Vent Kit and Termination.

USE FURNACE MULTIPLIER FOR ALL OF THE FOLLOWING	PN	TRADE
Kit #40LKT310 BML 10' x 3" Flex Vent, Terminal Adaptor & Sealant (Z-Flex)	240006906	\$450
Kit #40LKT315 BML 15' X 3" Flex Vent, Terminal Adaptor & Sealant (Z-Flex)	240006907	\$587
Kit #40LKT320 BML 20' X 3" Flex Vent, Terminal Adaptor & Sealant (Z-Flex)	240006908	\$735
Conversion Kit to BML 90 & 100	36000069	\$47
Low Fire Kit (.50GPH) BML	29880	\$68
Concentric Intake/Vent Terminal BML	28972	\$582
Riser Type Intake/Vent Terminal BML	29231	\$1,367

BML/BMLV STANDARD EQUIPMENT


STANDARD EQUIPMENT:

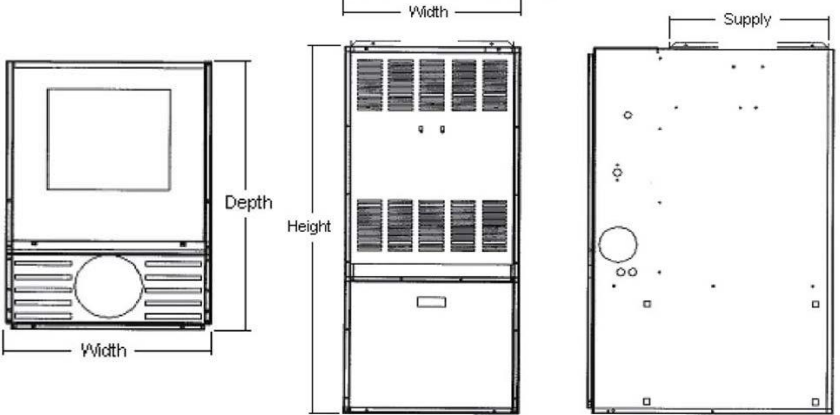
Heat Exchanger – Proven heat exchanger design featuring 100% welded construction for maximum performance. Large accessible clean out ports.
 Radiator – “Wrap-around” style for maximum heat transfer.
 Cabinet construction – 22 gauge steel cabinet ensures strength and quiet operation. Access door easily removed for easy access to enclosed burner and controls.
 Insulation – Spun glass and aluminum foil for “hand-cool” cabinet.
 Burner – Equipped with industry leading Beckett or Riello oil burners which include oil solenoid valve, PSC motor and solid state controls. Factory assembled, wired and tested. Ready to connect to fuel line.
 Barometric Draft Control – Included with all chimney vent models.
 Blower – Direct drive or belt drive type. Permanently lubricated, resilient mounted.
 PSC Blower Motor (BML Models) – Designed for heavy duty continuous operation. Thermally protected. Four-speed is standard with ½ HP direct drive models. Single speed with adjustable motor pulley is standard with belt drive models.
 ECM Variable Speed Blower Motor (BMLV Models) – Maximizes air conditioner efficiencies, reduces electrical operating costs and enhances comfort with programmed ramp up and ramp down operation. Available on ½ HP direct drive models.
 Blower Assembly – Entire unit can be easily removed for servicing.
 Controls – (UTE) Electronic fan timer control is standard on all models.
 Air conditioning – Fan timer control is AC ready.
 Filter Racks and Washable Air Filters – Included with all models.
 Alternate firing rates available for a wide variety of applications (alternate nozzles are field supplied).
 Direct Vent Models – Include Beckett AFII-85 or Riello 40BF3 oil burner with pressure switch system for proving airflow, intake air collar and vent adapter. Vent pipe kits sold separately.

Vent to Appliance adapter included (BFL PN 240006903, BML PN 240006904)

HML/HMLV SERIES C
HIGHBOY OIL FURNACES







Clearances		Clearance to Combustibles HML and HMLV					
(1) Required distances measured from furnace.	Top	1"					
	Bottom	0"					
	S/A Plenum	1"					
	Rear	1"					
	Sides	1"					
	Front	1"*					
	Flue Pipe	18"					
	Enclosure	Closet					
*24" Service Clearance.							
All models may be installed on combustible floors.							
Electrical		(120 Volts AC, 60 hertz, 1 phase, 12 Amps)					
Dimensions							
Model	Cabinet			Plenum Openings		Flue Diam.	Filter (Permanent)
	Width	Length	Height	Supply	Return	J	
	A	B	C		Side/Bottom		
HML/HMLV	22"	30-3/4"	49-5/8"	20-1/2"W x 20"D	14" x 22"	5"	16" x 25" x 1"

HML/HMLV HIGHBOY SERIES CONTINUED

HML/HMLV - HIGHBOY - FRONT FLUE

MODEL	SKU	TRADE PRICE	FIR. RATE GPH	INPUT/ OUTPUT MBH	AFUE	VENT	BURNER	MOTOR DRIVE	AC RANGE IN TONS	SHIP WGT. (LBS.)
HML80C2	31308070	\$2,671	0.65	91/76	83.3%	CHIM.	BECKETT AF	1/2 HP DIRECT	2 - 3.5 TONS (690 - 1500)	250
HMLV80C2	31308076	\$3,397						1/2 HP ECM		
HML80CNX2	31308085	\$2,803	0.65	91/76	85.7%	CHIM.	BECKETT NX	1/2 HP DIRECT		250
HMLV80CNX2	31308090	\$3,516						1/2 HP ECM		
HML80CRF2	31308073	\$2,957	0.65	91/77	85.2%	CHIM.	RIELLO 40F3	1/2 HP DIRECT		250
HMLV80CRF2	31308078	\$3,632						1/2 HP ECM		
HML80CB2U2	31308072C	\$3,594	0.65	91/77	83.9%	DIR.*	BECKETT AFII-85	1/2 HP DIRECT		250
HMLV80CB2U2	31308077C	\$4,322						1/2 HP ECM		
HML80CRBU2	31308074C	\$3,955	0.65	91/77	85.4%	DIR.*	RIELLO 40BF3	1/2 HP DIRECT		250
HMLV80CRBU2	31308079C	\$4,682						1/2 HP ECM		

* Direct Vent units require the use of Olsen/Airco specific Vent Kit and Termination.

USE FURNACE MULTIPLIER FOR ALL OF THE FOLLOWING	PN	TRADE
Kit #40LKT310 HML 10' x 3" Flex Vent, Terminal Adaptor & Sealant (Z-Flex)	240006906	\$450
Kit #40LKT315 HML 15' X 3" Flex Vent, Terminal Adaptor & Sealant (Z-Flex)	240006907	\$587
Kit #40LKT320 HML 20' X 3" Flex Vent, Terminal Adaptor & Sealant (Z-Flex)	240006908	\$735
Conversion Kit to HML 90 & 100	36000069	\$47
Low Fire Kit (.50GPH) HML	29880	\$68
Concentric Intake/Vent Terminal HML	28972	\$582
Riser Type Intake/Vent Terminal HML	29231	\$1,367

HML/HMLV HIGHBOY SERIES CONTINUED
HML/HMLV STANDARD EQUIPMENT

STANDARD EQUIPMENT:

Heat Exchanger – Proven heat exchanger design featuring 100% welded construction for maximum performance. Large accessible clean out ports.

Radiator – “Wrap-around” style for maximum heat transfer.

Cabinet construction – 22 gauge steel cabinet ensures strength and quiet operation. Access door easily removed for easy access to enclosed burner and controls.

Insulation – Spun glass and aluminum foil for “hand-cool” cabinet.

Burner – Equipped with industry leading Beckett or Riello oil burners which include oil solenoid valve, PSC motor and solid state controls. Factory assembled, wired and tested. Ready to connect to fuel line.

Barometric Draft Control – Included with all chimney vent models.

Blower – Direct drive type. Permanently lubricated, resilient mounted.

PSC Blower Motor (HML/HTL Models) – Designed for heavy duty continuous operation. Thermally protected. Four-speed is standard with ½ HP direct drive models.

ECM Variable Speed Blower Motor (HMLV/HTLV Models) – Maximizes air conditioner efficiencies, reduces electrical operating costs and enhances comfort with programmed ramp up and ramp down operation. Available on ½ HP direct drive models.

Blower Assembly – Full length slide out blower tray allows entire blower assembly to be easily removed for servicing.

Controls – (UTEK) Electronic fan timer control is standard on all models.

Air conditioning – Fan timer control is AC ready.

Filter Racks and Washable Air Filters – Included with all models.


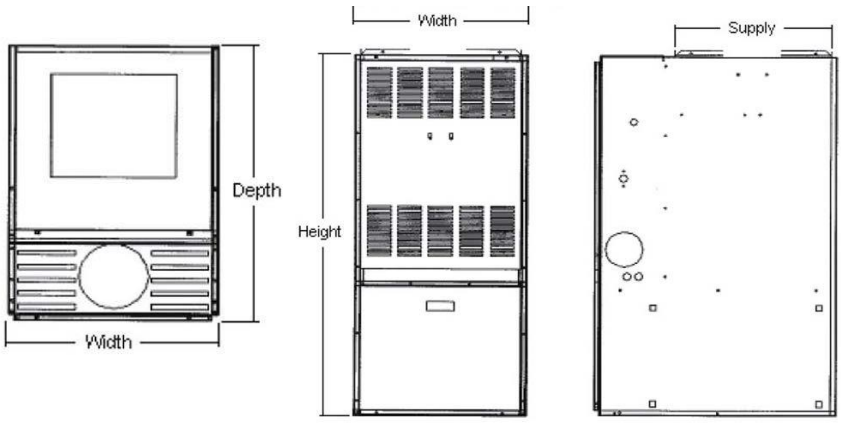
Alternate firing rates available for a wide variety of applications (alternate nozzles are field supplied).

Direct Vent Models – Include Beckett AFII-85 or Riello 40BF3 oil burner with pressure switch system for proving airflow, intake air collar and vent adapter. Vent pipe kits sold separately.

Vent to Appliance adapter included (HML PN 240006902)

HTL/HTLV SERIES D
HIGHBOY OIL FURNACES



								
	General Information (See IOM for complete instructions)							
Clearances				Clearance to Combustibles				
				HTL and HTLV				
(1) Required distances measured from furnace.	Top			1"				
	Bottom			0"				
	S/A Plenum			1"				
	Rear			1"				
	Sides			1"				
	Front			1"*				
	Flue Pipe			18"				
	Enclosure			Closet				
*24" Service Clearance.								
All models may be installed on combustible floors.								
Electrical		(115 Volts AC, 60 hertz, 1 phase, 12 Amps)						
Dimensions								
Model	Cabinet			Plenum Openings			Flue Diam.	Filter (Permanent)
	Width	Length	Height	Supply			J	
	A	B	C					
HTL/HTLV	22"	30-3/4"	58"	20-1/2"W x 20"D			6"	16" x 25" x 1"

HTL/HTLV HIGHBOY SERIES CONTINUED

HTL/HTLV - HIGHBOY - FRONT FLUE

MODEL	SKU	TRADE PRICE	FIR. RATE GPH	INPUT/ OUTPUT MBH	AFUE	VENT	BURNER	MOTOR DRIVE	AC RANGE IN TONS	SHIP WGT. (LBS.)
HTL120D2	31312070	\$2,947	1.00	140/117	83.0%	CHIM.	BECKETT AF	1/2 HP DIRECT	2 - 3.5 TONS (650 - 1400)	270
HTL115DRF2	31311573	\$3,203	0.95	133/113	84.1%	CHIM.	RIELLO 40F3	1/2 HP DIRECT		
HTLV115DRF2	31311578	\$4,248						1/2 HP ECM		
USE FURNACE MULTIPLIER FOR ALL OF THE FOLLOWING							PN	TRADE		
Concentric Intake/Vent Terminal HTL							28972	\$582		
Riser Type Intake/Vent Terminal HTL							29231	\$1,367		

HTL/HTLV STANDARD EQUIPMENT

STANDARD EQUIPMENT:

Heat Exchanger – Proven heat exchanger design featuring 100% welded construction for maximum performance. Large accessible clean out ports.
 Radiator – “Wrap-around” style for maximum heat transfer.
 Cabinet construction – 22 gauge steel cabinet ensures strength and quiet operation. Access door easily removed for easy access to enclosed burner and controls.
 Insulation – Spun glass and aluminum foil for “hand-cool” cabinet.
 Burner – Equipped with industry leading Beckett or Riello oil burners which include oil solenoid valve, PSC motor and solid state controls. Factory assembled, wired and tested. Ready to connect to fuel line.
 Barometric Draft Control – Included with all chimney vent models.
 Blower – Direct drive type. Permanently lubricated, resilient mounted.
 PSC Blower Motor (HML/HTL Models) – Designed for heavy duty continuous operation. Thermally protected. Four-speed is standard with ½ HP direct drive models.
 ECM Variable Speed Blower Motor (HMLV/HTLV Models) – Maximizes air conditioner efficiencies, reduces electrical operating costs and enhances comfort with programmed ramp up and ramp down operation. Available on ½ HP direct drive models.
 Blower Assembly – Full length slide out blower tray allows entire blower assembly to be easily removed for servicing.
 Controls – (UTEK) Electronic fan timer control is standard on all models.
 Air conditioning – Fan timer control is AC ready.
 Filter Racks and Washable Air Filters – Included with all models.
 Alternate firing rates available for a wide variety of applications (alternate nozzles are field supplied).
 Direct Vent Models – Include Beckett AFII-85 or Riello 40BF3 oil burner with pressure switch system for proving airflow, intake air collar and vent adapter. Vent pipe kits sold separately.

R410A 13 SEER Condensing Units				
PART NO.	DESCRIPTION	SHIP WEIGHT	TRADE PRICE	
GSX130181-OL	1.5 Ton Condensing Unit	178	\$1,377	
GSX130241-OL	2.0 Ton Condensing Unit	178	\$1,459	
GSX130301-OL	2.5 Ton Condensing Unit	180	\$1,530	
GSX130361-OL	3.0 Ton Condensing Unit	197	\$1,658	
GSX130421-OL	3.5 Ton Condensing Unit	219	\$1,939	
GSX130481-OL	4.0 Ton Condensing Unit	225	\$2,094	
GSX130601-OL	5.0 Ton Condensing Unit	240	\$2,499	
CC Series Cased "A" Coils Upflow/Downflow				
PART NO.	CAPACITY	CASE WIDTH (IN.)	PAN TYPE	TRADE PRICE
CC24A3G-220R-066	1.5 & 2 Ton	22	Painted Galvanized	\$440
CC30C3G-220R-066	2.5 Ton	22		\$526
CC42C3G-220R-066	3.5 Ton	22		\$578
CC48B3G-220R-066	4 Ton	22		\$576
CC60D3G-260R-066	5 Ton	26		\$670
CC60D3G-220R-066	5 Ton	22		\$670
CE Series Cased "A" Coils Multi-Position				
PART NO.	CAPACITY	CASE WIDTH (IN.)	PAN TYPE	TRADE PRICE
CE24A3G-220R-056	1.5 & 2 Ton	22	Painted Galvanized	\$511
CE30C3G-220R-056	2.5 Ton	22	Painted Galvanized	\$526
CE36B3G-220R-056	3 ton	20.5	Painted Galvanized	\$590

GSX13018-601 R-410A Condenser - Coil Matrix

Oil Furnaces	GSX13018-241	GSX130301	GSX130361	GSX130421	GSX130481	GSX130601
Models	Coil Model	Coil Model	Coil Model	Coil Model	Coil Model	Coil Model
MPL-B	CE24A3G-220R-056	CE30C3G-220R-056	CE36B3G-220R-056	N/A	N/A	N/A
WML/V-C	CE24A3G-220R-056	CE30C3G-220R-056	CE36B3G-220R-056	N/A	N/A	N/A
BCL-190/225	N/A	N/A	N/A	No Match Deep Enough	No Match Deep Enough	CC60D3G-260R-066
BML/V-B	CC24A3G-220R-066	CC30C3G-220R-066	CC36B3G-220R-066	N/A	N/A	N/A
BCL	CC24A3G-220R-066	CC30C3G-220R-066	CC36B3G-220R-066	CC42C3G-220R-066	CC48B3G-220R-066	CC60D3G-260R-066
BFL	CC24A3G-220R-066	CC30C3G-220R-066	CC36B3G-220R-066	CC42C3G-220R-066	CC48B3G-220R-066	CC60D3G-260R-066
HML/V-C	CC24A3G-220R-066	CC30C3G-220R-066	CC36B3G-220R-066	CC42C3G-220R-066	N/A	N/A
HTL/V-D	CC24A3G-220R-066	CC30C3G-220R-066	CC36B3G-220R-066	N/A	CC48B3G-220R-066	CC60D3G-260R-066

CA, CB, CC, CD, CE, CP, CM Series Coils

<p>C Series Configuration</p> <p>A = uncased up/down</p> <p>B = cased dedicated horizontal LaborSaver</p> <p>C = cased up/down</p> <p>D = full depth cased downflow</p> <p>E = cased multi-position VersaCoil</p> <p>P = cased dedicated horizontal with attached plenum</p> <p>M = manufactured home coil</p> <p>Nominal tonnage (MBTUH)</p> <p>Coil descriptor code (face area, rows, fpi)</p>	<p>24</p>	<p>A3</p>	<p>F</p>
<p>-145</p>	<p>L</p>	<p>-001</p>	<p>Option Code</p>

Refrigerant and plumbing connections
 L = left-hand plumbing and refrigerant connections
 R = right-hand plumbing and refrigerant connections
 T = refrigerant out the top, plumbing out opposite sides
 CA, CM Series: Drain pan width code
 CB, CC, CD, CE, CP Series: Furnace width code
 Metering device
 F = R-22 Flo-rater
 G = R-410A Flo-rater
 B = 20% bleed A/C or H/P R22 TXV
 X = non-bleed A/C or H/P R22 TXV
 4 = non-bleed A/C or H/P R410 TXV

OPTION CODES:

- 014 - Same as standard except: Double condensate drain, flanged top duct opening.
- 056 - Same as standard except: Powder coated galvanized metal drain pan with double drain; flanged top duct opening. For use with all oil furnaces.
- 066 - Same as standard except: Powder coated galvanized metal drain pan with double drain; flanged top duct opening. For use with all oil furnaces.