



## US Trade Price Book - 2023

Effective 2/15/23



**Simple. Comfortable. Affordable.**



[www.pennco boilers.com](http://www.pennco boilers.com)



Manufactured by:  
ECR International Inc.  
2201 Dwyer Avenue, Utica, NY 13501  
Tel. 800 325 5479  
[www.ecrinternational.com](http://www.ecrinternational.com)  
PN 240004966 REV. P [03/14/2023]



## CUSTOMER SUPPORT TEAM

---

### CUSTOMER SERVICE:

Phone: (800) 325-5479 option #2  
Fax: (315) 724-9319  
Email Purchase Orders: [ecrorderentry@ecrinternational.com](mailto:ecrorderentry@ecrinternational.com)  
Email Inquiries: [customerservice@ecrinternational.com](mailto:customerservice@ecrinternational.com)

### TECHNICAL SUPPORT:

Phone: (800) 253-7900  
Fax: (866) 432-7329  
Email: [technical.support@ecrinternational.com](mailto:technical.support@ecrinternational.com)

### MARKETING SUPPORT:

Phone: (800) 325-5479  
Fax: (315) 733-1759  
E-mail: [marketing@ecrinternational.com](mailto:marketing@ecrinternational.com)

### [WWW.ECRCUSTOMERPORTAL.COM](http://WWW.ECRCUSTOMERPORTAL.COM)

#### Your On-line Access to:

- Order Status
- Invoices
- Statements
- RMA
- Serial Number Look-Up
- Literature

## Table of Contents

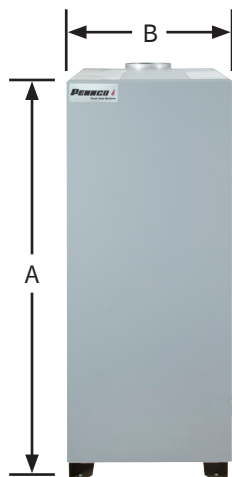
<b>Natural / LP Boilers</b>		<b>4-13</b>
<b>15B-K</b>	Cast Iron Chimney Vented Boilers (59-235 MBH)	<b>4</b>
<b>15C</b>	Cast Iron Chimney Vented Boilers (262-299 MBH)	<b>6</b>
<b>FSB</b>	Cast Iron Induced Draft Chimney/Side Wall Vented Boilers (42-187 MBH)	<b>8</b>
<b>16</b>	Cast Iron Steam Boilers (75-299 MBH)	<b>10</b>
<b>41K</b>	Cast Iron Commercial Steam Boilers (300-1,500 MBH)	<b>12</b>
<b>Oil Boilers</b>		<b>14-17</b>
<b>KWC</b>	Cast Iron Chimney Vented Boilers (112-217 MBH)	<b>14</b>
<b>SBO</b>	Cast Iron Steam Boilers (119-210 MBH)	<b>16</b>
<b>Indirect Tanks</b>		<b>18-19</b>
<b>H2O GL</b>	Single Coil Glass Lined Indirect Water Heaters (31-106 GALS)	<b>18</b>
<b>Terms &amp; Conditions of Sale</b>		<b>20</b>
<b>Shipping &amp; Delivery Policy</b>		<b>21</b>
<b>RMA Policy</b>		<b>22</b>

# 15B-K Cast-Iron Chimney Vented Boilers

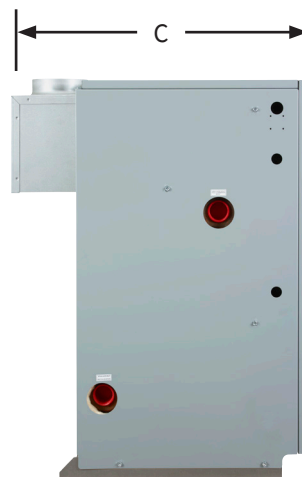
- MBH Input 59 - 235 (CH)
- 84% AFUE
- Dependable Cast Iron Heat Exchanger
- Internal Operating Control
- Digital temperature display and diagnostics
- Built-In Low Water Cut-Off (LWCO)
- Control monitors water temperature and delays burner start until residual heat has been transferred to the system for maximum efficiency.
- Low Profile draft hood diverter



General Information (See IOM for Complete Instructions)							
Model	15B-060K	15B-095K	15B-120K	15B-150K	15B-175K	15B-205K	15B-235K
Water Return/Supply	1 1/4" NPT						
Gas	1/2" NPT				3/4" NPT		
Electrical	120 Volts AC, 60 hertz, 1 phase, less than 12 amps (15 amp circuit recommended)						
Water Content (Gallons)	1.9	2.3	2.8	3.2	3.7	4.1	4.6
A-Height	32 1/8"	32 1/8"	32 1/8"	32 1/8"	32 1/8"	32 1/8"	32 1/8"
B-Width	13 3/8"	13 3/8"	16 1/4"	19"	21 7/8"	27 1/2"	27 1/2"
C-Depth	24 1/8"	24 1/8"	24 1/8"	24 1/8"	24 1/8"	24 1/8"	24 1/8"



FRONT



LEFT SIDE

15B-K - Cast Iron Chimney Vented Boilers									
Model	Item Number	Input MBH	Htg. Cap. MBH	AHRI Net MBH	AFUE	Fuel	Pump	Shp. Wgt. lbs	Trade Price
15B-060K	15B306003200507	59	50	43	84.0%	NAT	LESS	215	\$2,517
15B-095K	15B409503200507	92.5	78	68	84.0%	NAT	LESS	250	\$2,771
15B-120K	15B512003200507	120	101	88	84.0%	NAT	LESS	295	\$2,990
15B-150K	15B615003200507	149	125	109	84.0%	NAT	LESS	335	\$3,362
15B-175K	15B717503200507	175	147	128	84.0%	NAT	LESS	385	\$3,723
15B-205K	15B820503200507	205	172	150	84.0%	NAT	LESS	420	\$4,205
15B-235K	15B923503200507	235	197	172	84.0%	NAT	LESS	465	\$4,595
15B-060K	15B306003210507	59	50	43	84.0%	NAT	TACO	215	\$2,703
15B-095K	15B409503210507	92.5	78	68	84.0%	NAT	TACO	250	\$2,960
15B-120K	15B512003210507	120	101	88	84.0%	NAT	TACO	295	\$3,179
15B-150K	15B615003210507	149	125	109	84.0%	NAT	TACO	335	\$3,550
15B-175K	15B717503210507	175	147	128	84.0%	NAT	TACO	385	\$3,909
15B-205K	15B820503210507	205	172	150	84.0%	NAT	TACO	420	\$4,392
15B-235K	15B923503210507	235	197	172	84.0%	NAT	TACO	465	\$4,781
15B-060K	15B306003220507	59	50	43	84.0%	NAT	GRUNDFOS	215	\$2,703
15B-095K	15B409503220507	92.5	78	68	84.0%	NAT	GRUNDFOS	250	\$2,960
15B-120K	15B512003220507	120	101	88	84.0%	NAT	GRUNDFOS	295	\$3,179
15B-150K	15B615003220507	149	125	109	84.0%	NAT	GRUNDFOS	335	\$3,550
15B-175K	15B717503220507	175	147	128	84.0%	NAT	GRUNDFOS	385	\$3,909
15B-205K	15B820503220507	205	172	150	84.0%	NAT	GRUNDFOS	420	\$4,392
15B-235K	15B923503220507	235	197	172	84.0%	NAT	GRUNDFOS	465	\$4,781
15B-060K	15B306013200507	59	50	43	84.0%	LP	LESS	215	\$2,553
15B-095K	15B409513200507	92.5	78	68	84.0%	LP	LESS	250	\$2,796
15B-120K	15B512013200507	120	101	88	84.0%	LP	LESS	295	\$3,011
15B-150K	15B615013200507	149	125	109	84.0%	LP	LESS	335	\$3,445
15B-175K	15B717513200507	175	147	128	84.0%	LP	LESS	385	\$3,797
15B-205K	15B820513200507	205	172	150	84.0%	LP	LESS	420	\$4,212
15B-235K	15B923513200507	235	197	172	84.0%	LP	LESS	465	\$4,606
15B-060K	15B306013210507	59	50	43	84.0%	LP	TACO	215	\$2,776
15B-095K	15B409513210507	92.5	78	68	84.0%	LP	TACO	250	\$3,063
15B-120K	15B512013210507	120	101	88	84.0%	LP	TACO	295	\$3,254
15B-150K	15B615013210507	149	125	109	84.0%	LP	TACO	335	\$3,591
15B-175K	15B717513210507	175	147	128	84.0%	LP	TACO	385	\$3,955
15B-205K	15B820513210507	205	172	150	84.0%	LP	TACO	420	\$4,401
15B-235K	15B923513210507	235	197	172	84.0%	LP	TACO	465	\$4,789
15B-060K	15B306013220507	59	50	43	84.0%	LP	GRUNDFOS	215	\$2,776
15B-095K	15B409513220507	92.5	78	68	84.0%	LP	GRUNDFOS	250	\$3,063
15B-120K	15B512013220507	120	101	88	84.0%	LP	GRUNDFOS	295	\$3,254
15B-150K	15B615013220507	149	125	109	84.0%	LP	GRUNDFOS	335	\$3,591
15B-175K	15B717513220507	175	147	128	84.0%	LP	GRUNDFOS	385	\$3,955
15B-205K	15B820513220507	205	172	150	84.0%	LP	GRUNDFOS	420	\$4,401
15B-235K	15B923513220507	235	197	172	84.0%	LP	GRUNDFOS	465	\$4,789
15B-K - Cast Iron Chimney Vented Boilers - High Altitude*									
15B-060K	15B306003215507	59	50	43	84.0%	NAT	TACO	215	\$2,703
15B-095K	15B409503215507	92.5	78	68	84.0%	NAT	TACO	250	\$2,960
15B-120K	15B512003215507	120	101	88	84.0%	NAT	TACO	295	\$3,179
15B-150K	15B615003215507	149	125	109	84.0%	NAT	TACO	335	\$3,550
15B-175K	15B717503215507	175	147	128	84.0%	NAT	TACO	385	\$3,909
15B-205K	15B820503215507	205	172	150	84.0%	NAT	TACO	420	\$4,392
15B-235K	15B923503215507	235	197	172	84.0%	NAT	TACO	465	\$4,781
15B-K (Use Parts Multiplier for All of the Following)									
Model		Description							Trade Price
ALL MODELS	550003778	NATURAL GAS TO LP GAS CONVERSION KIT							\$97
ALL MODELS	550003884	LP GAS TO NATURAL GAS CONVERSION KIT							\$107

\* High Altitude - Capacity reduces with elevation. Refer to IOM for actual capacity ratings.

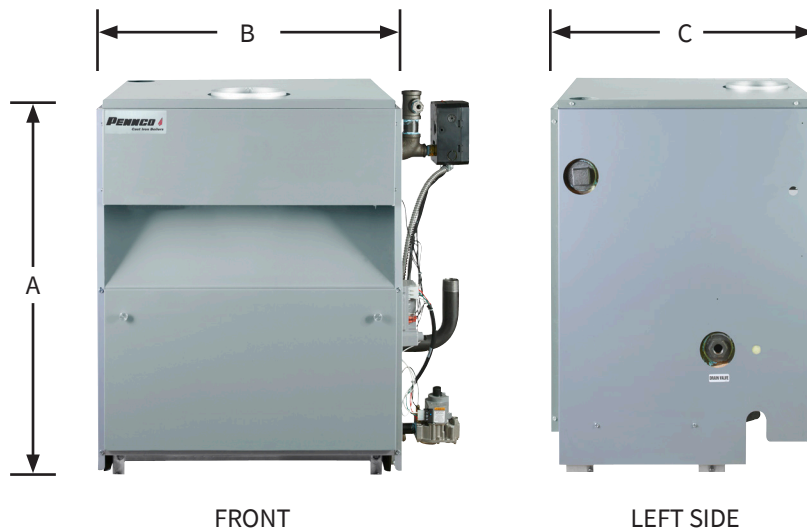
High altitude models ship with conversion kit (which must be field installed) at sea level with 5000' elevation orifices - consult factory for other elevations.

# 15C Cast-Iron Chimney Vented Boilers

- MBH Input 262 - 299 (CH)
- 84% AFUE
- Dependable Cast Iron Heat Exchanger
- Internal Operating Control
- Digital temperature display and diagnostics
- Built-In Low Water Cut-Off (LWCO)
- Control monitors water temperature and delays burner start until residual heat has been transferred to the system for maximum efficiency.
- Low Profile draft hood diverter



General Information (See IOM for Complete Instructions)		
Model	15C-8D	15C-9D
Water Return/Supply	1 1/4" NPT	
Gas	1/2" NPT	
Electrical	120 Volts AC, 60 hertz, 1 phase, less than 12 amps (15 amp circuit recommended)	
Water Content (Gallons)	12.7	14.4
A-Height	36 3/8"	36 3/8"
B-Width	27 1/2"	30 3/4"
C-Depth	26 1/2"	26 1/2"



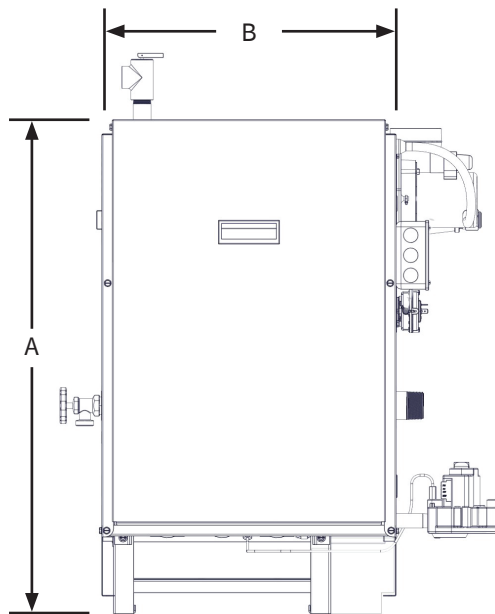
<b>15C - Cast Iron Chimney Vented Boilers</b>									
<b>Model</b>	<b>Item Number</b>	<b>Input MBH</b>	<b>Htg. Cap. MBH</b>	<b>AHRI Net MBH</b>	<b>AFUE</b>	<b>Fuel</b>	<b>Pump</b>	<b>Shp. Wgt. lbs</b>	<b>Trade Price</b>
15C-8D	15C826203200307	262	221	192	84.0%	NAT	LESS	552	\$5,151
15C-9D	15C929903200307	299	252	219	84.0%	NAT	LESS	616	\$5,453
15C-8D	15C826203210307	262	221	192	84.0%	NAT	TACO	552	\$5,325
15C-9D	15C929903210307	299	252	219	84.0%	NAT	TACO	616	\$5,626
15C-8D	15C826203220307	262	221	192	84.0%	NAT	GRUNDFOS	552	\$5,325
15C-9D	15C929903220307	299	252	219	84.0%	NAT	GRUNDFOS	616	\$5,626
<b>15C (Use Parts Multiplier for All of the Following)</b>									
<b>Model</b>	<b>Item Number</b>	<b>Description</b>							<b>Trade Price</b>
15C	550004168	CONVERSION KIT NAT. TO LP 15C-8/9							\$131
15C-8D	43300636	CONVERSION KIT LP TO NAT. 15C-8							\$267

# FSB Cast-Iron Induced Draft Chimney/Side Wall Vented Boilers

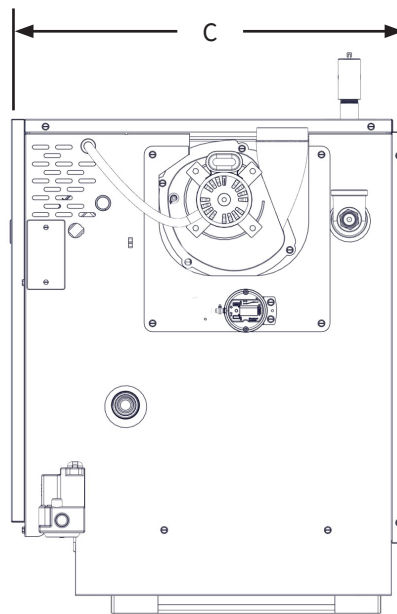
- MBH Input 42 - 187 (CH)
- Up to 84.4% AFUE
- Dependable Cast Iron Heat Exchanger with Cast Iron Push Nipples
- Honeywell High Limit/Electronic Ignition Control
  - Recessed under the boiler's protective jacket
  - Digital Temperature display and diagnostics
  - Plug in connection for the inducer fan
  - Plug in connection for the system pump
- Induced Draft Fan



General Information (See IOM for Complete Instructions)						
Model	FSB-2	FSB-3	FSB-4	FSB-5	FSB-6	
Water Return/Supply	1 1/4" NPT					
Gas	1/2" NPT					
Electrical	120 Volts AC, 60 hertz, 1 phase, less than 12 amps (15 amp circuit recommended)					
Water Content (Gallons)	1.75	3.00	4.25	5.50	6.75	
Dimensions	A-Height	29"	29"	29"	29"	
	B-Width	11"	14 1/4"	17 1/2"	20 3/4"	24"
	C-Depth	23 1/4"	23 1/4"	23 1/4"	23 1/4"	23 1/4"



FRONT



RIGHT SIDE



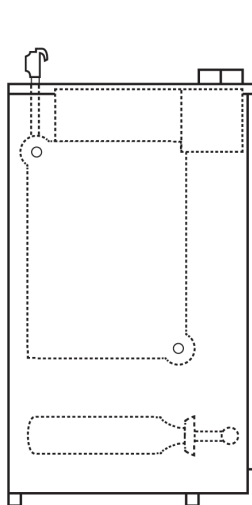
<b>FSB - Cast Iron Induced Draft Chimney/Side Wall Vented Boilers</b>									
<b>Model</b>	<b>Item Number</b>	<b>Input MBH</b>	<b>Htg. Cap. MBH</b>	<b>AHRI Net MBH</b>	<b>AFUE</b>	<b>Fuel</b>	<b>Pump</b>	<b>Shp. Wgt. Lbs</b>	<b>Trade Price</b>
FSB-2	FSB204203110307	42.5	36	31	84.4%	NAT	TACO	225	\$2,881
FSB-3	FSB307503110307	75	63	55	84.0%	NAT	TACO	265	\$3,252
FSB-4	FSB411203110307	112.5	95	82	84.0%	NAT	TACO	322	\$3,585
FSB-5	FSB515003110307	150	127	109	84.0%	NAT	TACO	370	\$4,014
FSB-6	FSB618703110307	187.5	158	135	84.0%	NAT	TACO	431	\$4,698
FSB-2	FSB204203120307	42.5	36	31	84.4%	NAT	GRUNDFOS	225	\$2,881
FSB-3	FSB307503120307	75	63	55	84.0%	NAT	GRUNDFOS	265	\$3,252
FSB-4	FSB411203120307	112.5	95	82	84.0%	NAT	GRUNDFOS	322	\$3,585
FSB-5	FSB515003120307	150	127	109	84.0%	NAT	GRUNDFOS	370	\$4,014
FSB-6	FSB618703120307	187.5	158	135	84.0%	NAT	GRUNDFOS	431	\$4,698
FSB-2	FSB204213110307	42.5	36	31	84.4%	LP	TACO	225	\$2,952
FSB-3	FSB307513110307	75	63	55	84.0%	LP	TACO	265	\$3,318
FSB-4	FSB411213110307	112.5	95	82	84.0%	LP	TACO	322	\$3,656
FSB-5	FSB515013110307	150	127	109	84.0%	LP	TACO	370	\$4,083
FSB-6	FSB618713110307	187.5	158	135	84.0%	LP	TACO	431	\$4,770
FSB-2	FSB204213120307	42.5	36	31	84.4%	LP	GRUNDFOS	225	\$2,952
FSB-3	FSB307513120307	75	63	55	84.0%	LP	GRUNDFOS	265	\$3,318
FSB-4	FSB411213120307	112.5	95	82	84.0%	LP	GRUNDFOS	322	\$3,656
FSB-5	FSB515013120307	150	127	109	84.0%	LP	GRUNDFOS	370	\$4,083
FSB-6	FSB618713120307	187.5	158	135	84.0%	LP	GRUNDFOS	431	\$4,770
<b>FSB (Use Parts Multiplier for All of the Following)</b>									
<b>Model</b>	<b>Item Number</b>	<b>Description</b>							<b>Trade Price</b>
FSB	550002722	NATURAL TO LP CONVERSION KIT (ALL SIZES)							\$120
FSB	43300660	LP TO NATURAL CONVERSION KIT (ALL SIZES)							\$131
<b>Side Wall Vent Hoods</b>									
FSB	14629010	TJERNLUND VH-1-3" SIDE WALL VENT HOOD (FSB-2 TO FSB-5)							\$333
FSB	14629011	TJERNLUND VH-1-4" SIDE WALL VENT HOOD (FSB-6)							\$395

## 16 Cast-Iron Steam Boilers

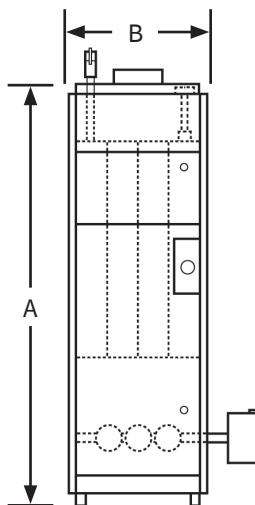
- MBH Input 75 - 299 (CH)
- Up to 82.7% AFUE
- 7 Sizes Available
- Dependable Cast-Iron Heat Exchanger
- Electronic Ignition System
- Automatic Vent Damper
- LWCO (Probe Type) externally mounted for quick access
- Pressure High Limit Control with Pressure Gauge and Gauge Glass
- Stainless Steel Burners
- Easy Serviceability



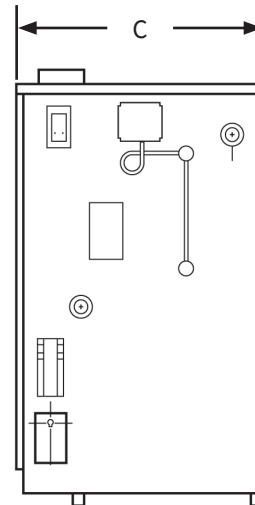
General Information (See IOM for Complete Instructions)							
Model	1603HSID	1604HSID	1605HSID	1606HSID	1607HSID	1608HSID	1609HSID
Steam Return/Supply	2 1/2" NPT						
Electrical	120 Volts AC, 60 hertz, 1 phase, less than 12 amps (15 amp circuit recommended)						
A-Height	36 3/8"	36 3/8"	36 3/8"	36 3/8"	36 3/8"	36 3/8"	36 3/8"
B-Width	11 1/4"	14 1/2"	17 3/4"	21"	24 1/4"	27 1/2"	30 3/4"
C-Depth	26 1/2"	26 1/2"	26 1/2"	26 1/2"	26 1/2"	26 1/2"	26 1/2"



LEFT SIDE



FRONT



RIGHT SIDE

<b>16 - Cast Iron Steam Boilers</b>									
<b>Model</b>	<b>Item Number</b>	<b>Input MBH</b>	<b>Htg. Cap. MBH</b>	<b>AHRI Net MBH</b>	<b>AHRI Net SQ. FT. Steam</b>	<b>AFUE</b>	<b>Fuel</b>	<b>Shp. Wgt. lbs</b>	<b>Trade Price</b>
1603HSID	353541106	75	62	47	196	82.7%	NAT	297	\$3,380
1604HSID	354541106	112	91	68	183	82.0%	NAT	368	\$3,780
1605HSID	355541106	150	122	92	383	82.0%	NAT	440	\$4,223
1606HSID	356541106	187	153	115	479	82.0%	NAT	512	\$4,827
1607HSID	357541106	225	183	137	571	82.0%	NAT	584	\$5,391
1608HSID	358541106	262	214	161	671	82.0%	NAT	659	\$5,956
1609HSID	359541106	299	245	184	767	82.0%	NAT	736	\$6,344

<b>16 (Use Parts Multiplier for All of the Following)</b>			
<b>Model</b>	<b>Item Number</b>	<b>Description</b>	<b>Trade Price</b>
1603HSID	43300723	3 SECTION NATURAL GAS TO LP GAS CONVERSION KIT	\$71
1604HSID	43300724	4 SECTION NATURAL GAS TO LP GAS CONVERSION KIT	\$71
1605HSID	43300725	5 SECTION NATURAL GAS TO LP GAS CONVERSION KIT	\$71
1606HSID	43300726	6 SECTION NATURAL GAS TO LP GAS CONVERSION KIT	\$84
1607HSID	43300727	7 SECTION NATURAL GAS TO LP GAS CONVERSION KIT	\$84
1608HSID	43300728	8 SECTION NATURAL GAS TO LP GAS CONVERSION KIT	\$84
1609HSID	43300729	9 SECTION NATURAL GAS TO LP GAS CONVERSION KIT	\$84
1604HSID	43300632	4 SECTION LP GAS TO NATURAL GAS CONVERSION KIT	\$265
1605HSID	43300633	5 SECTION LP GAS TO NATURAL GAS CONVERSION KIT	\$269
1606HSID	43300634	6 SECTION LP GAS TO NATURAL GAS CONVERSION KIT	\$263
1607HSID	43300635	7 SECTION LP GAS TO NATURAL GAS CONVERSION KIT	\$265
1608HSID	43300636	8 SECTION LP GAS TO NATURAL GAS CONVERSION KIT	\$267
1609HSID	43300637	9 SECTION LP GAS TO NATURAL GAS CONVERSION KIT	\$267
	1630001	WF2 WATER FEEDER USED WITH PS802 LWCO	\$674

## 41K Cast-Iron Commercial Steam Boilers

41K Commercial Boiler Bases are pre-assembled at the factory with burner manifold, burner orifices, gas valves and electronic ignition installed; ready for field installation of the pre-tested sections and appropriate packages.

### Electronic Ignition Base Standard Equipment:

- Base
- Fire Door
- Burner Orifice
- Manifold
- Main and Pilot Burner
- Electronic Pilot Gas Valve
- Intermittent Pilot Module
- Complete Jacket Assembly

### Steam Trim Package:

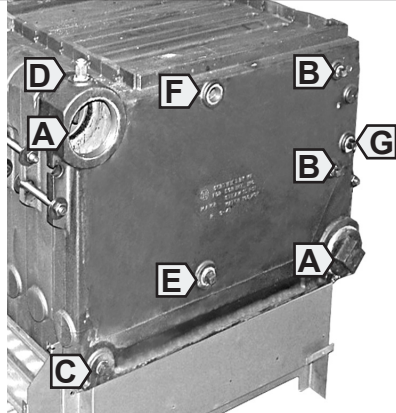
- Low Water Cut-Off
- Glass Gauge Set
- Safety Valve
- Steam Gauge
- Pressure Limit
- Drain Valve



### Plug 'N Play Harness and Junction Box

Individual base and junction box controls are designed for easy installation. The entire boiler links together in a snap with a color-coded factory supplied wiring harness.

General Information (See IOM for Complete Instructions)

	Right & Left End Tappings	Opening	Size
	Return/Supply	A	4"
	Primary LWCO & Guage Glass Set	B	1/2"
	Drain, Left End	C	3/4"
	Drain, Right End	C	3/4"
	Plugged	D	1/2"
	Accessories	E	1"
	Safety Valve	F*	1"
	Plugged or Electronic (Probe Type) LWCO	G	3/4"
	*If using opening F for other than Safety Valve or Safety Relief Valve, or Safety/Relief valve is larger than 1", Install Safety/Relief Valve in Header Piping as near boiler as possible.		

**41K - Cast Iron Commercial Steam Boilers**

Model	Item Number	Input MBH	Output MBH	Net AHRI Ratings			Therm. Eff.	Shp. Wgt. Lbs	No. of Sect.	Trade Price
				Steam PPF	Steam SQ. FT.	Steam BTU (MBH)				
41K300S	CBA030003101107	300	233	1.33	729	175	77.0%	1000	4	\$12,433
41K400S	CBA040003101107	400	310	1.33	971	233	77.0%	1200	5	\$13,990
41K500S	CBA050003101107	500	388	1.33	1213	291	77.0%	1400	6	\$15,551
41K600S	CBA060003101107	600	465	1.33	1454	349	77.0%	1600	7	\$20,222
41K700S	CBA070003101107	700	543	1.33	1696	407	77.0%	1800	8	\$21,785
41K800S	CBA080003101107	800	620	1.33	1938	465	77.0%	2000	9	\$23,407
41K900S	CBA090003101107	900	698	1.33	2183	524	77.0%	2200	10	\$25,117
41K1000S	CBA100003101107	1000	775	1.33	2421	581	77.0%	2400	11	\$26,673
41K1100S	CBA110003101107	1100	853	1.33	2667	640	77.0%	2600	12	\$31,470
41K1200S	CBA120003101107	1200	930	1.33	2908	698	77.0%	2900	13	\$33,026
41K1300S	CBA130003101107	1300	1008	1.33	3150	756	77.0%	3100	14	\$35,495
41K1400S	CBA140003101107	1400	1085	1.33	3392	814	77.0%	3300	15	\$37,056
41K1500S	CBA150003101107	1500	1163	1.33	3633	872	77.0%	3500	16	\$38,653

**41K (Use Parts Multiplier for All of the Following)**

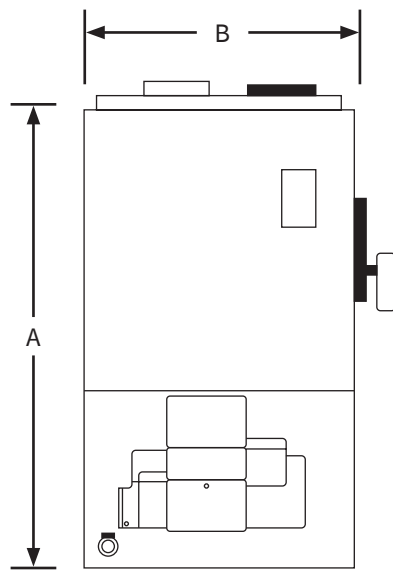
Model	Item Number	Description	Trade Price
41K	14662311	STEAM MANUAL RESET PRESSURE CONTROL (L4079B1033)	\$386
41K	1280001	M-M 47-2 LWCO & FEEDER (MODELS 300-1500)	\$1,734
41K	14662313	STRAP ON OPERATING CONTROL (L6006C-1034)	\$233

## KWC Cast-Iron Chimney Vented Boilers

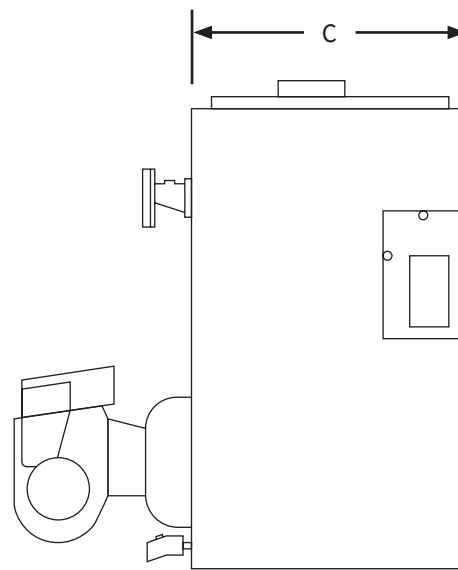
- MBH Input 112 - 217
- Up to 86.2% AFUE
- Advanced High Efficiency Heat Exchanger Design
- Hydrolevel Control:
  - Hydrolevel 3250: with digital display and diagnostics; adjusts the water temperature based on your heating system demand which further reduces your heating costs. It also features a built-in low water cut-off (LWCO) to protect the boiler from potentially dangerous low water conditions.
- Compact Footprint
- Easy Serviceability



General Information (See IOM for Complete Instructions)					
Model		3KWC	4KWC	5KWC	
Water Return/Supply		1 1/4" NPT			
Drain Valve		3/4" NPT			
Electrical		120 Volts AC, 60 hertz, 1 phase, less than 12 amps (15 amp circuit recommended)			
Water Content (Gallons)		9.6	11.6	13.7	
Dimensions	A-Height	36"	36"	36"	
	B-Width	20 1/2"	20 1/2"	20 1/2"	
	C-Depth	14 1/2"	17 3/4"	21"	



FRONT



RIGHT SIDE

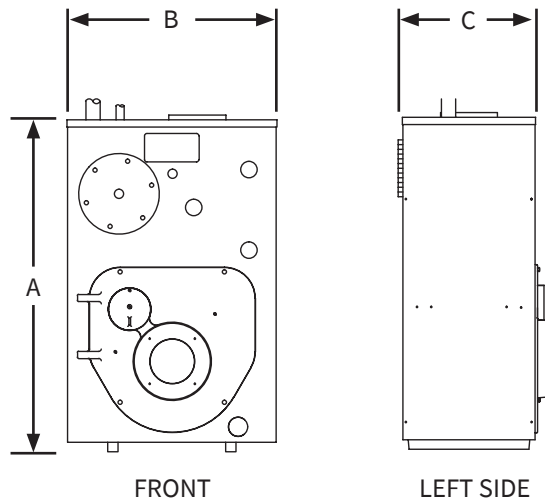
KWC - Cast Iron Chimney Vented Oil Boilers with Beckett Burner												
Model	Item Number	Input MBH	Htg. Cap. MBH	AHRI NET MBH	AFUE	Fuel	Pump	Tankless Coil	Firing Rate GPH	Tankless GPM	Shp. Wgt. lbs	Trade Price
3KWC0.80	KWC308031200107	112	98	85	86.0%	OIL	LESS	LESS	0.80	N/A	470	\$3,240
4KWC1.00	KWC410031200107	140	122	106	86.2%	OIL	LESS	LESS	1.00	N/A	545	\$3,477
4KWC1.25	KWC412531200107	175	152	132	86.0%	OIL	LESS	LESS	1.25	N/A	545	\$3,477
5KWC1.35	KWC513531200107	189	167	145	86.0%	OIL	LESS	LESS	1.35	N/A	630	\$4,673
5KWC1.55	KWC515531200107	217	189	164	86.0%	OIL	LESS	LESS	1.55	N/A	630	\$4,673
3KWC0.80	KWC308031210107	112	98	85	86.0%	OIL	TACO	LESS	0.80	N/A	470	\$3,352
4KWC1.00	KWC410031210107	140	122	106	86.2%	OIL	TACO	LESS	1.00	N/A	545	\$3,591
4KWC1.25	KWC412531210107	175	152	132	86.0%	OIL	TACO	LESS	1.25	N/A	545	\$3,591
5KWC1.35	KWC513531210107	189	167	145	86.0%	OIL	TACO	LESS	1.35	N/A	630	\$4,781
5KWC1.55	KWC515531210107	217	189	164	86.0%	OIL	TACO	LESS	1.55	N/A	630	\$4,781
3KWC0.80	KWC308031220107	112	98	85	86.0%	OIL	GRUNDFOS	LESS	0.80	N/A	470	\$3,352
4KWC1.00	KWC410031220107	140	122	106	86.2%	OIL	GRUNDFOS	LESS	1.00	N/A	545	\$3,591
4KWC1.25	KWC412531220107	175	152	132	86.0%	OIL	GRUNDFOS	LESS	1.25	N/A	545	\$3,591
5KWC1.35	KWC513531220107	189	167	145	86.0%	OIL	GRUNDFOS	LESS	1.35	N/A	630	\$4,781
5KWC1.55	KWC515531220107	217	189	164	86.0%	OIL	GRUNDFOS	LESS	1.55	N/A	630	\$4,781
3KWC0.80T	KWC308032200107	112	98	85	86.0%	OIL	LESS	COIL	0.80	3.05	470	\$3,674
4KWC1.00T	KWC410032200107	140	122	106	86.2%	OIL	LESS	COIL	1.00	3.25	545	\$3,912
4KWC1.25T	KWC412532200107	175	152	132	86.0%	OIL	LESS	COIL	1.25	3.50	545	\$3,912
5KWC1.35T	KWC513532200107	189	167	145	86.0%	OIL	LESS	COIL	1.35	3.60	630	\$5,216
5KWC1.55T	KWC515532200107	217	189	164	86.0%	OIL	LESS	COIL	1.55	3.80	630	\$5,216
3KWC0.80T	KWC308032210107	112	98	85	86.0%	OIL	TACO	COIL	0.80	3.05	470	\$3,786
4KWC1.00T	KWC410032210107	140	122	106	86.2%	OIL	TACO	COIL	1.00	3.25	545	\$4,026
4KWC1.25T	KWC412532210107	175	152	132	86.0%	OIL	TACO	COIL	1.25	3.50	545	\$4,026
5KWC1.35T	KWC513532210107	189	167	145	86.0%	OIL	TACO	COIL	1.35	3.60	630	\$5,324
5KWC1.55T	KWC515532210107	217	189	164	86.0%	OIL	TACO	COIL	1.55	3.80	630	\$5,324
3KWC0.80T	KWC308032220107	112	98	85	86.0%	OIL	GRUNDFOS	COIL	0.80	3.05	470	\$3,786
4KWC1.00T	KWC410032220107	140	122	106	86.2%	OIL	GRUNDFOS	COIL	1.00	3.25	545	\$4,026
4KWC1.25T	KWC412532220107	175	152	132	86.0%	OIL	GRUNDFOS	COIL	1.25	3.50	545	\$4,026
5KWC1.35T	KWC513532220107	189	167	145	86.0%	OIL	GRUNDFOS	COIL	1.35	3.60	630	\$5,324
5KWC1.55T	KWC515532220107	217	189	164	86.0%	OIL	GRUNDFOS	COIL	1.55	3.80	630	\$5,324
KWC (Use Parts Multiplier for All of the Following)												
Model	Item Number	Description										Trade Price
KWC	550002647	4 SECTION RE-RATE KIT 4100/4125										\$34
KWC	550004307	5 SECTION RE-RATE KIT 5155 TO 5135										\$34
KWC	550004308	5 SECTION RE-RATE KIT 5135 TO 5155										\$34
KWC	14624002	FILL-TROL FOR WATER BOILERS 150 MBH OR LESS										\$421
KWC	14624003	FILL-TROL FOR WATER BOILERS OVER 150 MBH										\$585

## SBO Cast-Iron Steam Boilers

- MBH Input 119 - 210 (CH)
- Up to 85.6% AFUE
- Dependable Cast Iron Heat Exchanger
- Honeywell Operating Control
- Burner swing door for easy serviceability
- Multiple Firing Rates
- Chimney Venting
- Optional tankless domestic hot water (DHW) coil



General Information (See IOM for Complete Instructions)				
Model	SBO-3085	SBO-3105	SBO-4125	SBO-4150
Return/Supply Tappings	1 1/4" Return NPT, 2" Supply NPT			
Oil	3/8" O.D. Copper (runs 50' or less, 1/2" O.D. Copper (runs over 50')			
Electrical	120 Volts AC, 60 hertz, 1 phase, less than 12 amps (15 amp circuit recommended)			
Water Content (Gallons)	12	12	14.87	14.87
Dimensions	A-Height	35"	35"	35"
	B-Width	22 1/8"	22 1/8"	22 1/8"
	C-Depth	15 3/4"	15 3/4"	19 3/4"





<b>SBO - Cast Iron Steam Oil Boilers Less Burner</b>											
Model	Item Number	Type	Input MBH	Htg. Cap. MBH	AHRI Net MBH	AHRI Net Sq. Ft. Steam	AFUE	Burner	Firing Rate GPH	Shp. Wgt. lbs	Trade Price
SBO-3105	SBO310521700107	LESS	147	127	95	396	85.0%	LESS	1.05	538	\$3,028
SBO-4150	SBO415021700107	LESS	210	180	135	563	85.0%	LESS	1.50	650	\$4,257

<b>SBO (Use Equipment Multiplier for All of the Following)</b>			
Model	Item Number	Description	Trade Price
SBO	550004158P	TANKLESS COIL WITH CONTROL	\$534
SBO-3105	550004153P	SBO-3105 BECKETT BURNER IN A BOX KIT	\$897
SBO-4150	550004154P	SBO-4150 BECKETT BURNER IN A BOX KIT	\$897

**Please Note: Oil Fired Steam Boilers are sold less burner. Please add burner in a box kit to your order.**

**Tankless Coil Kits are sold separately.**

<b>SBO (Use Parts Multiplier for All of the Following)</b>			
Model	Item Number	Description	Trade Price
SBO	550004155	3085/3105 BECKETT RERATE KIT	\$166
SBO	550004156	4125/4150 BECKETT RERATE KIT	\$166

## H2O GL Single Coil Glass Lined Indirect Water Heaters

- 31 - 106 Gallon Capacities
- Easy to Install
- Low Pressure Drop
- Magnesium Anode Rod (Corrosion Protection)
- Enameled Coated Steel Tank and Coil
- Minimal Standby Losses
- Flexible Scratch Resistant Jacket
- Aquastat Sensor Well
- Temperature Pressure Relief Valve



(H2O40GL Model Shown)

General Information (See IOM for Complete Instructions)					
Maximum Working Pressure: 150 psi for all Capacities					
Model	Piping Connections NPT		Dimensions		
	Domestic Water In/Out	Boiler Water In/Out	Diameter	Height	Weight
H2O 30 GL	1"	1"	24"	33"	119 lbs
H2O 40 GL	1"	1"	24"	45"	180 lbs
H2O 50 GL	1"	1"	24"	51"	200 lbs
H2O 80 GL	1"	1"	30"	48"	243 lbs
H2O 105 GL	1"	1"	30"	62"	393 lbs

**H2O GL - Single Coil Glass Lined Indirect Water Heaters**

Model	Item Number	Storage Capacity gal	Type	Max. First Hour Rating gal/hr @ 115° F	Continuous Rating gal/hr @ 115° F	Boiler Output Req. BTU/hr	Shp. Wgt. lbs	Trade Price
H2O 30 GL	H2OIG30PN	31	GLASS LINED	155	124	100,000	119	\$1,345
H2O 40 GL	H2OIG40PN	42	GLASS LINED	256	220	120,000	180	\$1,372
H2O 50 GL	H2OIG50PN	53	GLASS LINED	310	268	140,000	200	\$1,560
H2O 80 GL	H2OIG80PN	79	GLASS LINED	346	281	180,000	243	\$2,165
H2O 105 GL	H2OIG105PN	106	GLASS LINED	440	345	220,000	393	\$3,387

**H2O GL (Use Parts Multiplier for All of the Following)**

Model	Item Number	Description	Trade Price
30-105 GAL.	240010926	T & P VALVE 3/4, 100XL-8	\$62
30-105 GAL.	AQ-020.01	AQUASTAT WELL	\$43
30-105 GAL.	240013432	AQUASTAT	\$171
30-50 GAL.	240012211	PLASTIC TOP CAP	\$34
80-105 GAL.	240012239	PLASTIC TOP CAP	\$47
40-105 GAL.	240012212	PLASTIC FRONT CAP	\$8
30 GAL.	550003640	ANODE KIT MAGNESIUM (INCLUDES ANODE, GASKET & BUSHING)	\$45
40-50 GAL.	550003505	ANODE KIT MAGNESIUM (INCLUDES ANODE, GASKET & BUSHING)	\$45
80-105 GAL.	550003527	ANODE KIT MAGNESIUM (INCLUDES ANODE, GASKET & BUSHING)	\$87
30 GAL.	550003693	ANODE KIT ALUMINUM (INCLUDES ANODE, GASKET & BUSHING)	\$44
40-50 GAL.	550003694	ANODE KIT ALUMINUM (INCLUDES ANODE, GASKET & BUSHING)	\$45
80-105 GAL.	550003695	ANODE KIT ALUMINUM (INCLUDES ANODE, GASKET & BUSHING)	\$87
30-50 GAL.	240012250	FLANGE CAP	\$47
80-105 GAL.	240012251	FLANGE CAP	\$18
30-50 GAL.	240012210	FLANGE GASKET	\$2
80-105 GAL.	240012238	FLANGE GASKET	\$4
40-50 GAL.	550003510	HARDWARE KIT (INCLUDES BOLTS & NUTS FOR FLANGE CAP)	\$4
80-105 GAL.	550003525	HARDWARE KIT (INCLUDES BOLTS & NUTS FOR FLANGE CAP)	\$4
H2O 30 GL	240012474	OUTSIDE TANK COVER	\$126
H2O 40 GL	240012329	OUTSIDE TANK COVER	\$128
H2O 50 GL	240012330	OUTSIDE TANK COVER	\$137
H2O 80 GL	240012331	OUTSIDE TANK COVER	\$149
H2O 105 GL	240012332	OUTSIDE TANK COVER	\$167
30-50 GAL.	240012483	TEMPERATURE GAUGE	\$19
80-105 GAL.	240012484	TEMPERATURE GAUGE	\$27

## TERMS & CONDITIONS OF SALE - GENERAL TERMS

**PRICES & SPECIFICATIONS:** All pricing and specifications subject to change without notice. The prices herein supersede all prior quotations.

**ORDERS:** Orders will be accepted based on prices in effect at the time the order is received. No order or contract will become an obligation on our part until accepted by the General Sales Department. ECR International shall not be liable for any delay or failure in the delivery or shipment of goods due to any cause or causes beyond its control.

**TAXES:** Add to the prices and terms quoted any manufacturers' or sales tax payable on the transaction under any effective statute.

---

### SHIPMENTS

**TRUCKLOADS:** \$60,000 Net Order Value - Freight Prepaid. Indirect Water Heaters and Commercial Boiler lines can be added to any residential order for freight purposes. Authorized Distributors can combine Argo, Airco, Dunkirk, EMI, Olsen, Pennco, Utica Boilers and Utica Heating on one purchase order to earn free freight.

Stop off charges of \$200 will apply to stop off locations within 100 miles of the final destination. Please call for pricing for stop off special handling for a location further than 100 miles or for special handling pricing for services such as lift gate, unloading assistance, etc.

**LESS THAN TRUCKLOAD SHIPMENT: F.O.B. ECR INTERNATIONAL - FACTORY OR WAREHOUSE**

**See Shipping and Delivery Policy for full details.**

---

### SALES ORDER INFORMATION CHECK LIST

The following information must be included on equipment or parts orders to insure proper shipment & invoicing:

- |  |  |
|--|--|
| 1) Purchase Order Number                       | 7) Pricing   |
| 2) Bill to Address                             | 8) Product Description (Model, Size, etc.)   |
| 3) Ship to Address                             | 9) Fuel Type (Oil, Natural Gas, Propane)   |
| 4) Method of Shipment (trailer load, UPS)      | 10) Electrical (Operating Voltage, Cycles, Phases, etc.)   |
| 5) Requested Ship Date                         | 11) Non-Standard Equipment (Indicate "Optional" when substituted for standard equipment at extra cost listed. Indicate added to standard equipment.) |
| 6) Special Instructions ("Carrier to call...") | 12) Kits or Parts (Orders for kits or parts must indicate equipment size and series.)  |

Send orders to:

**E-mail: [ecrorderentry@ecrinternational.com](mailto:ecrorderentry@ecrinternational.com)**

**Fax: (315) 724-9319**

Please note the following Remit to Address:

**ECR International, Inc.**

**P.O. Box 8000 Department 039**

**Buffalo, NY 14267**

## SHIPPING AND DELIVERY POLICY

Shipping and Delivery Policy	
Order Type / Value*	Freight Charges*
All UPS, Fed, Ex, DHL, etc. Shipments	Freight & Handling Cost Apply
\$0.00 - \$5,000	Freight & Handling Cost Apply
\$5,001 - \$15,000	\$350
\$15,001 - \$59,999	\$300
\$60,000**	FFA

\*The above freight terms apply to single purchase orders or combined purchase orders from one company with one stop totaling the above reference tiers. Additional stops will incur additional charges. Pooling from multiple companies is not allowed under this freight program.

\*\*Orders of \$60,000 or more from one company with multiple stops will incur a \$200 stop-off charge per stop after the initial stop. Each stop location must be within 100 miles of the initial stop or additional charges will apply.

Because of packaging and shipping constraints, EMI products do not qualify for this freight program unless prior approval is obtained from your Regional Sales Manager.

Except for FFA qualifying orders, the above US shipping rates apply to shipments east of the Mississippi River. If shipments are beyond that area actual freight rates will apply.

These rates apply to destinations where no special delivery requirements are needed. Additional charges will apply when special handling and delivery is incurred. Pre-shipment notification of any special shipping or handling provisions is required. Unless otherwise noted, all products will be shipped FOB Shipping Point and transfer of ownership and responsibility is assumed by the customer for all loss or damage. ECR International will not be held liable for any damage, loss or costs which occur due to shipping delay. ECR retains the right to change or alter this program without notice and without penalty.

Family bundling is encouraged; boilers, furnaces, A/C, and controls can be combined to achieve freight tiers.

If you have any questions, please contact your ECR representative or ECR Regional Manager.

## U.S. DISTRIBUTOR - RETURN MATERIAL POLICY (RMA)

**Prior Approval Required** - All returns for exchange, credit, repair service or warranty claim must be approved by ECR International and require an RMA number prior to return of the material. A request must be completed via the online web portal. Please log on to [www.ecrcustomerportal.com](http://www.ecrcustomerportal.com) to complete your request for return. If you do not already have access to the customer web portal, please contact ECR International Customer Service at 1-800-325-5479 to be set-up.

**Eligibility** - An RMA Request must be received within 60 days from the date of invoice for returns of New & Unused product in original packaging. A restocking fee of 15% will be charged for all new and unused returns that are approved for return. Special Order Products (items not offered as standard in ECR International trade price book) are not eligible for return as new and unused product. Request for Warranty Returns must be made within the period covered by the warranty and must fall under the terms and conditions specified in the warranty.

**Repair Service** - Request for repair or rework of product damaged by customer is classified as Repair Service. Repair Service is billed at \$75.00 per hour for labor and net price for parts used in repair/rework. ECR International's Return Material (RM) department will evaluate the items returned for repair service. The customer will receive an estimate for the dollar amount, determined by ECR International's RM department, required to complete the repairs requested. A Purchase Order (PO) from the customer for that amount will be required before any work is performed.

**RMA Expiration Parts** - Once the RMA number is issued, the product must be returned within 60 days of the RMA date, or the RMA will be canceled. Products approved for return that are received after 60 days from the RMA date will not be accepted.

**Shipping & Packaging** - All returns must have a valid RMA number clearly displayed on the exterior of the package or the package will not be accepted. All returns of new and unused product must be in the original packaging. All returns must be shipped prepaid by the customer unless otherwise directed by ECR as indicated on the RMA Verification. Ship all approved return material to the facility indicated on the approved RMA Request by the date indicated.

**Replacement Product** - If replacement product is desired it must be indicated on the RMA Request. A PO# is required for the replacement shipment and must be indicated on the RMA Request. All replacement products will be invoiced at the time of shipment. ECR will pay the ground freight for all warranty replacements.

**Application of Credit** - Credit for returned product will be applied to the customer's account (less restocking fees for New and Unused returns) only after confirmation of receipt by ECR and inspection of the product. Issuance of a credit for a partial return of product does not relieve the customer from the obligation to remit payment for the merchandise not returned in accordance with the payment terms referenced on the customer's invoice(s). Customer will have the option to have any product that is denied for credit returned at their expense.

**Returning Installed Finished Goods** (Complete boilers, furnaces, A/C units etc.)

- Equipment that is already installed should be repaired not replaced. Exceptions: leaking cast iron boilers in their first year or leaking water tanks. Leaking drain valves on water tanks are replaceable, make sure the leak is not on the valve. Tanks returned with the only leak being on the valve will be denied.
- Cast iron blocks (not complete boilers) older than one year and Indirect tanks that are leaking do not require prior approval. Simply type "Leaking" into the Authorization field and it will be accepted. Complete Cast iron boilers within their first year will still require prior authorization for full boiler replacement.
- Water leaks on copper and condensing boilers are repairable and will require prior authorization for any reason for removal.
- To guarantee credit, if a situation arises where equipment does need to be replaced, **prior authorization** from ECR is required. This will ensure that ECR has visibility to the problem and has had an opportunity to correct it prior to removal. *All equipment considered for removal should first be brought to the attention of Technical Support at 1-800-253-7900.*
- If approved, an authorization number will be given that will need to be entered in the RMA on the Customer Portal.
- For equipment that is removed from service without prior authorization by ECR, contact Customer Service. They will evaluate the circumstance and can issue a conditional RMA. The equipment will be tested in our lab to determine if removal was warranted and if credit will be given.

**RMA Expiration Equipment** - Once the RMA number is issued, the product must be returned within 30 days of the RMA date, or the RMA will be canceled. Products approved for return that are received after 30 days from the RMA date will not be accepted.

**This page is intentionally left blank,**



**Simple. Comfortable. Affordable.**

[www.penncoboilers.com](http://www.penncoboilers.com)



2201 Dwyer Avenue, Utica, NY 13501  
Tel. 800 325 5479  
[www.ecrinternational.com](http://www.ecrinternational.com)

All specifications subject to change without notice.  
©2023 ECR International, Inc.  
PN 240004966 REV. P [03/14/2023]