

Pennco P90 Series



16 Series
Gas-Fired Steam Boiler



15B Series II
Gas-Fired Water Boiler



FSB Series II
Gas-Fired Water Boiler



Keystone Water Series II
Oil-Fired water Boiler



41K Commercial
Gas-Fired Steam Boiler



Keystone Steam IV Series
Oil-Fired Steam Boiler

**Customer Service
Technical Support**

Phone: 800-325-5479
Fax: 315-724-9319/866-432-7329
www.pennco boilers.com

Corporate Sales

Phone: 877-386-5475
Fax: 716-366-4670

Literature

literature@ecrinternational.com



ECR international
EST. 1928

A Family of Heating & Cooling Brands.

TABLE OF CONTENTS

Terms & RMA Policy	3-4
Gas-Fired Condensing Boilers	
P90 Series	5-7
Gas Cast Iron Boilers	
15B Series II	8-11
FSB Series II	12-14
16 Series	15-17
41K Steam	18-19
Oil Cast Iron Boilers	
Keystone Water Series II	20-22
Keystone Water Series III	23-25
Keystone Steam KSC IV Series	26-27
Indirect Hot Water Heaters	
Hotline Indirect Water Heaters	28
Accessories	29

TERMS & CONDITIONS OF SALE - GENERAL TERMS

PRICES & SPECIFICATIONS: All pricing and specifications subject to change without notice. The prices herein supersede all prior quotations.

PAYMENT TERMS: Net 30 Days

ORDERS: Orders will be accepted on the basis of prices in effect at the time the order is received. No order or contract will become an obligation on our part until accepted by the General Sales Department. ECR International shall not be liable for any delay or failure in the delivery or shipment of goods due to any cause or causes beyond its control.

TAXES: Add to the prices and terms quoted any manufacturers' or sales tax payable on the transaction under any effective statute.

SHIPMENT

TRUCK LOADS: \$40,000 Net Order Value - Freight Prepaid. Indirect Water Heaters and Commercial Boiler lines can be added to any residential order for freight purposes. Authorized Distributors can combine Argo, Airco, Dunkirk, EMI, Olsen, Pennco and Utica and on one purchase order to earn free freight.

Stop off charges of \$150 will apply to stop off locations within 100 miles of final destination. Please call for pricing for stop off special handling for a location further than 100 miles or for special handling pricing for services such as lift gate, unloading assistance, etc.

LESS THAN TRUCKLOAD SHIPMENT: F.O.B. ECR INTERNATIONAL - FACTORY OR WAREHOUSE

ORDER INFORMATION CHECKLIST

The following information must be included on equipment or parts orders to insure proper shipment & invoicing:

- 1) Purchase Order Number
- 2) Bill To Address
- 3) Ship To Address
- 4) Method of Shipment (i.e. - trailer load, UPS, etc.)
- 5) Requested Ship Date
- 6) Special Instructions (i.e. - "Carrier to call...")
- 7) Pricing
- 8) Product Description (i.e. - Model, Size, Series, etc.)
- 9) Fuel Characteristics (i.e. Oil, Natural Gas, Propane)
- 10) Electrical Characteristics (i.e. - Operating Voltage, Cycles, Phases, etc.)
- 11) Non-Standard Equipment (Indicate "Optional" when substituted for standard equipment at extra cost listed. added to standard equipment).
- 12) Kits or Parts (Orders for kits or parts must indicate equipment size and series).
- 13) Send orders to:

**E-Mail: ecrorderentry@ecrinternational.com
Fax: 315-724-9319**

- 14) Please note the following Remit To Address:

**ECR International, Inc.
P.O. Box 8000 Department 039
Buffalo, NY 14267**

Continued on Next Page

TERMS & CONDITIONS OF SALE - GENERAL TERMS CONTINUED
U.S. DISTRIBUTOR - RETURN MATERIAL POLICY - EFFECTIVE 8/18/2014

To assist in providing the best service to our valued customers, ECR International has developed the following guidelines to help you in the unlikely event that you will need to return merchandise purchased from us. These guidelines have been developed after carefully reviewing common industry practice. We trust that you find them fair and easy to follow.

Prior Approval Required - All returns for exchange, credit, repair service or warranty claim must be approved by ECR and require an RMA number prior to return of the material. A request must be completed via ECR International's online web portal. Please log on to www.ecrcustomerportal.com (hyperlink below) to complete your request for return. If you do not already have access to the customer web portal please contact ECR Customer Service at 1-800-325-5479 to be set-up.

Eligibility - An RMA Request must be received within 60 days from the date of invoice for returns of New & Unused product in original packaging. A restocking fee of 15% will be charged for all new and unused returns that are approved for return. Special Order Products (items not offered as standard in ECR trade price book) are not eligible for return as new and unused product. Request for Warranty Returns must be made within the period covered by the warranty and must fall under the terms and conditions specified in the warranty.

Repair Service - Request for repair or rework of product damaged by customer is classified as Repair Service. Repair Service is billed at \$75.00 per hour for labor and net price for parts used in repair/rework. ECR's Return Material (RM) department will evaluate the items returned for repair service. The customer will receive an estimate for the dollar amount, determined by ECR's RM department, required to complete the repairs requested. A Purchase Order (PO) from the customer for that amount will be required before any work is performed.

RMA Expiration - Once the RMA number is issued, the product must be returned within 90 days of the RMA date, or the RMA will be canceled. Products approved for return that are received after 90 days from the RMA date will not be accepted.

Shipping & Packaging - All returns must have a valid RMA number clearly displayed on the exterior of the package or the package will not be accepted. All returns of new and unused product must be in the original packaging. All returns must be shipped prepaid by the customer unless otherwise directed by ECR as indicated on the RMA Verification. Ship all approved return material to the facility indicated on the approved RMA Request by the date indicated.

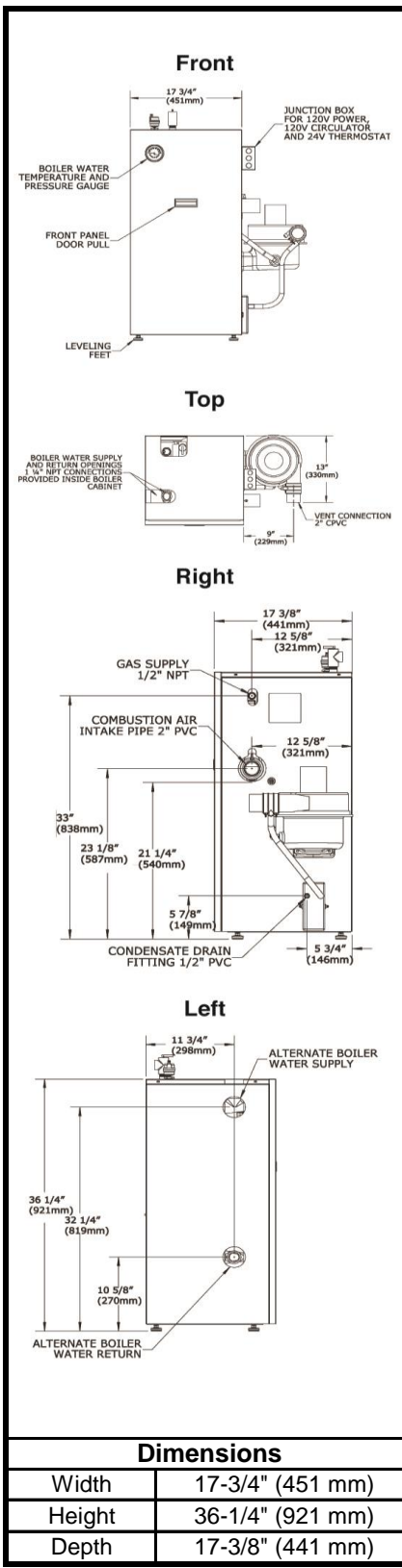
Replacement Product - If replacement product is desired it must be indicated on the RMA Request. A PO# is required for the replacement shipment and must be indicated on the RMA Request. All replacement products will be invoiced at the time of shipment. ECR will pay the ground freight for all warranty replacements.

Application of Credit - Credit for returned product will be applied to the customer's account (less restocking fees for New and Unused returns) only after confirmation of receipt by ECR and inspection of the product. Issuance of a credit for a partial return of product does not relieve the customer from the obligation to remit payment for the merchandise not returned in accordance with the payment terms referenced on the customer's invoice(s). Customer will have the option to have any product that is denied for credit returned at their expense.

<http://www.ecrcustomerportal.com>

P90-100 SERIES
NATURAL OR PROPANE
CONDENSING HOT WATER BOILER

50 psi
 MAWP



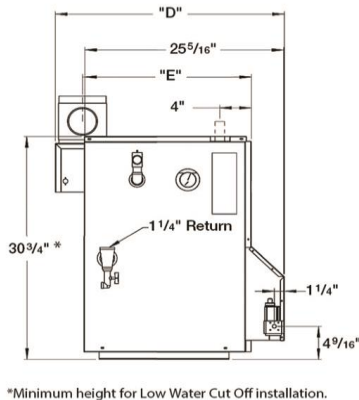
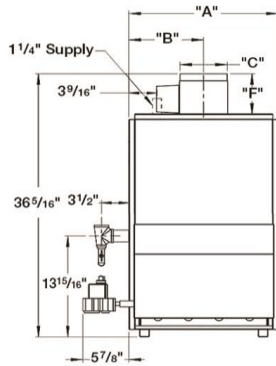
General Information (See IOM for complete instructions)

Clearances	Combustible Materials (Required) (1)				Service (2)	
	(1) Required distances measured from boiler.	Top	1" (26 mm)		8" (204 mm)	
Left Side		1" (26 mm)		N/A		
Right Side		11" (280 mm)		N/A		
Base		1" (26 mm)		N/A		
Front		1" (26 mm)		24" (610 mm)		
Back		1" (26 mm)		N/A		
(2) Service, proper operation clearance recommendation.	Combustion Air/Vent Piping	0" (0 mm)		N/A		
Combustion Air & Vent Pipe Equivalent Length (Schedule 40 PVC)	Min. Length	2" Pipe	2" Pipe	3" Pipe	3" Pipe	
		050	100	050	100	
	Max. Length	2 Ft.	2 Ft.	20 Ft.	15 Ft.	
		(.61 m)	(.61 m)	(6.09 m)	(4.57 m)	
		26 Ft.	21 Ft.	112 Ft.	92 Ft.	
		(7.92 m)	(6.40 m)	(34.14 m)	(28.04 m)	
Note: Refer to IOM and vent pipe manufacturer's instructions for equivalent vent lengths and alternate venting materials.						
Connections	Return/Supply Water		Gas In	Condensate Drain		
Dimensions	050/075/100		1-1/4" NPT	1/2" NPT	1/2" CPVC Stub	
Width	17-3/4" (451 mm)		Electrical 120 Volts AC, 60 hertz, 1 phase, Less than 12 amps (15 amp circuit recommended)			
Height	36-1/4" (921 mm)					
Depth	17-3/8" (441 mm)		Water Content 050/075/100 - 2.6 Gallons			

P90-100 SERIES CONTINUED								
(NATURAL GAS - LESS SYSTEM PUMP)								
BOILER MODEL	ITEM NUMBER	TRADE PRICE	INPUT (MBH)	HTG. CAP. (MBH)	AHRI NET (MBH)	AFUE RATING %	FLUE DIA.	SHIP WGT.
P90-50	Q90205003200407	\$3,149	50	45	39	90	2" or 3"	256
P90-75	Q90207503200407	\$3,149	75	68	59	90	2" or 3"	256
P90-100	Q90210003200407	\$3,149	100	90	78	90	2" or 3"	256
(NATURAL GAS - WITH TACO SYSTEM PUMP)								
BOILER MODEL	ITEM NUMBER	TRADE PRICE	INPUT (MBH)	HTG. CAP. (MBH)	AHRI NET (MBH)	AFUE RATING %	FLUE DIA.	SHIP WGT.
P90-50	Q90205003210407	\$3,214	50	45	39	90	2" or 3"	256
P90-75	Q90207503210407	\$3,214	75	68	59	90	2" or 3"	256
P90-100	Q90210003210407	\$3,214	100	90	78	90	2" or 3"	256
(NATURAL GAS - WITH GRUNDFOS SYSTEM PUMP)								
BOILER MODEL	ITEM NUMBER	TRADE PRICE	INPUT (MBH)	HTG. CAP. (MBH)	AHRI NET (MBH)	AFUE RATING %	FLUE DIA.	SHIP WGT.
P90-50	Q90205003220407	\$3,214	50	45	39	90	2" or 3"	256
P90-75	Q90207503220407	\$3,214	75	68	59	90	2" or 3"	256
P90-100	Q90210003220407	\$3,214	100	90	78	90	2" or 3"	256
(LP GAS - LESS SYSTEM PUMP)								
BOILER MODEL	ITEM NUMBER	TRADE PRICE	INPUT (MBH)	HTG. CAP. (MBH)	AHRI NET (MBH)	AFUE RATING %	FLUE DIA.	SHIP WGT.
P90-50	Q90205013200407	\$3,149	50	45	39	90	2" or 3"	256
P90-75	Q90207513200407	\$3,149	75	68	59	90	2" or 3"	256
P90-100	Q90210013200407	\$3,149	100	90	78	90	2" or 3"	256
(LP GAS - WITH TACO SYSTEM PUMP)								
BOILER MODEL	ITEM NUMBER	TRADE PRICE	INPUT (MBH)	HTG. CAP. (MBH)	AHRI NET (MBH)	AFUE RATING %	FLUE DIA.	SHIP WGT.
P90-50	Q90205013210407	\$3,214	50	45	39	90	2" or 3"	256
P90-75	Q90207513210407	\$3,214	75	68	59	90	2" or 3"	256
P90-100	Q90210013210407	\$3,214	100	90	78	90	2" or 3"	256
(LP GAS - WITH GRUNDFOS SYSTEM PUMP)								
BOILER MODEL	ITEM NUMBER	TRADE PRICE	INPUT (MBH)	HTG. CAP. (MBH)	AHRI NET (MBH)	AFUE RATING %	FLUE DIA.	SHIP WGT.
P90-50	Q90205013220407	\$3,214	50	45	39	90	2" or 3"	256
P90-75	Q90207513220407	\$3,214	75	68	59	90	2" or 3"	256
P90-100	Q90210013220407	\$3,214	100	90	78	90	2" or 3"	256

P90-100 SERIES CONTINUED		
(USE PARTS MULTIPLIER FOR ALL OF THE FOLLOWING)		
	PN	TRADE
CONCENTRIC VENT KIT 3"	29571	\$218
CONCENTRIC VENT KIT 2"	29570	\$218
ARGO AMB MULTIPLE BOILER CONTROL (INCLUDES OUTDOOR RESET, PRIORITY OVERRIDE, LEAD BOILER RUN TIME ROTATION):		
AMB4A TO ALLOW STAGE FIRING OF UP TO 4 BOILERS	AMB4AD	\$1,000
AMB8A TO ALLOW STAGE FIRING OF UP TO 8 BOILERS	AMB8AD	\$1,450
CONVERSION KIT NAT. TO LP P90-50 0' - 10,000'	550002631	\$75
CONVERSION KIT NAT. TO LP P90-75 5,000' - 10,000'	550002629	\$75
CONVERSION KIT NAT. TO LP P90-75 0' - 5,000'	550002630	\$75
CONVERSION KIT NAT. TO LP P90-100 0' - 10,000'	550002700	\$75
CONVERSION KIT LP TO NAT. P90-50 0' - 10,000'	550002635	\$75
CONVERSION KIT LP TO NAT. P90-75 0' - 10,000'	550002634	\$75
CONVERSION KIT LP TO NAT. P90-100 0' - 10,000'	550002701	\$75
2" CPVC 45° ELBOW (P90-100 Series)	14631702	\$37
2" CPVC 90° ELBOW (P90-100 Series)	240009663	\$26
2" CPVC TEE, SCHEDULE 80 (P90-100 Series)	240006819	\$36
2" CPVC COUPLING (P90-100 Series)	240006822	\$23
FILL-TROL #110 FOR WATER BOILERS 150 MBH OR LESS	14624002	\$291
FILL-TROL #111 FOR WATER BOILERS OVER 150 MBH	14624003	\$392
P90-100 SERIES - STANDARD EQUIPMENT		
<u>STANDARD EQUIPMENT:</u>		
<ul style="list-style-type: none"> - Boiler Control Module: HSI Integrated Boiler Control - Combination Hydrolevel High Limit with LWCO with boiler water temperature reset feature - Heat Exchanger: Cast Aluminum Heat Exchanger - Combustion: Stainless Steel Premix Burner - Induced Draft Blower with adjustable exhaust (front, right side or rear), Inducer Motor Assembly, includes 5' schedule 80 2" CPVC and CPVC Tee - Electrical: Junction Box, Transformer and Wiring Harness - Textured painted steel jacket - Other: Temperature/Pressure Gauge, 30 PSI Safety Relief Valve, Pressure Switch(es), Low Profile Condensate Trap and Air Vent 		

15B SERIES II
NATURAL OR PROPANE
HOT WATER BOILER



*Minimum height for Low Water Cut Off installation.



General Information (See IOM for complete instructions)

Clearances		Combustible Materials (Required) (1)
(1) Required distances measured from boiler.	Top	18" (457 mm)
	Front	Alcove*
	Flue Connector	6" (152 mm)
	Rear	8" (203 mm)
	Control Side	9" (229 mm)
	Other Side	3" (76 mm)

*Definition of Alcove is three sided space with no wall in front of boiler. ANSI standard for alcove is 18 inches from front of appliance to leading edge of side walls as shown in IOM.

Connections	Return/Supply Water	Gas In
15B045, 15B070, 15B096, 15B120, 15B145, 15B170, 15B195	1-1/4" NPT	1/2" NPT
15B245 & 15B295		3/4" NPT

Electrical 120 Volts AC, 60 hertz, 1 phase, Less than 12 amps (15 amp circuit recommended)

Water Content 15B045 - 2.4 Gallons, 15B070/15B096 - 4.0 Gallons, 15B120/15B145 - 5.6 Gallons, 15B170/15B195 - 7.2 Gallons, 15B245 - 8.8 Gallons, 15B295 - 10.4 Gallons

Dimensions						
Model	A	B	C	D	E	F
15B045FE	11-1/4"	5-5/8"	4"	27-1/8"	20-7/16"	4-15/16"
15B070FE	15-1/8"	7"	5"	28-1/8"	20-15/16"	4-15/16"
15B096FE	15-1/8"	7"	5"	28-1/8"	20-15/16"	4-15/16"
15B120FE	19"	9-1/2"	6"	29-1/8"	21-7/16"	5-7/16"
15B145FE	19"	9-1/2"	6"	29-1/8"	21-7/16"	5-7/16"
15B170FE	22-7/8"	11-3/16"	7"	30-1/8"	21-15/16"	5-15/16"
15B195FE	22-7/8"	11-3/16"	7"	30-1/8"	21-15/16"	5-15/16"
15B245FE	26-3/4"	13-6/16"	8"	31-1/8"	22-7/16"	6-15/16"
15B295FE	30-5/8"	15-5/16"	9"	32-1/8"	22-15/16"	8-15/16"

15B SERIES II CONTINUED								
(NATURAL GAS - LESS SYSTEM PUMP)								
BOILER MODEL	ITEM NUMBER	TRADE PRICE	INPUT (MBH)	HTG. CAP. (MBH)	AHRI NET (MBH)	AFUE RATING %	NUMBER OF BURNERS	SHIP WGT.
15B045FE	15B204503100207	\$1,708	45	37	32	82.0%	1	255
15B070FE	15B307003100207	\$1,827	70	57	50	82.0%	2	305
15B096FE	15B309603100207	\$1,931	96	79	69	82.0%	2	310
15B120FE	15B412003100207	\$2,131	120	98	85	82.0%	3	355
15B145FE	15B414503100207	\$2,269	145	119	103	82.0%	3	360
15B170FE	15B517003100207	\$2,558	170	140	122	82.0%	4	420
15B195FE	15B519503100207	\$2,845	195	160	139	82.0%	4	425
15B245FE	15B624503100207	\$3,111	245	201	174	82.0%	5	495
15B295FE	15B729503100207	\$3,323	295	242	210	82.0%	6	555
(NATURAL GAS - WITH TACO SYSTEM PUMP)								
BOILER MODEL	ITEM NUMBER	TRADE PRICE	INPUT (MBH)	HTG. CAP. (MBH)	AHRI NET (MBH)	AFUE RATING %	NUMBER OF BURNERS	SHIP WGT.
15B045FE	15B204503110207	\$1,775	45	37	32	82.0%	1	255
15B070FE	15B307003110207	\$1,894	70	57	50	82.0%	2	305
15B096FE	15B309603110207	\$1,998	96	79	69	82.0%	2	310
15B120FE	15B412003110207	\$2,198	120	98	85	82.0%	3	355
15B145FE	15B414503110207	\$2,336	145	119	103	82.0%	3	360
15B170FE	15B517003110207	\$2,625	170	140	122	82.0%	4	420
15B195FE	15B519503110207	\$2,910	195	160	139	82.0%	4	425
15B245FE	15B624503110207	\$3,178	245	201	174	82.0%	5	495
15B295FE	15B729503110207	\$3,390	295	242	210	82.0%	6	555
(NATURAL GAS - WITH GRUNDFOS SYSTEM PUMP)								
BOILER MODEL	ITEM NUMBER	TRADE PRICE	INPUT (MBH)	HTG. CAP. (MBH)	AHRI NET (MBH)	AFUE RATING %	NO. OF BRNS.	SHIP WGT.
15B045FE	15B204503120207	\$1,775	45	37	32	82.0%	1	255
15B070FE	15B307003120207	\$1,894	70	57	50	82.0%	2	305
15B096FE	15B309603120207	\$1,998	96	79	69	82.0%	2	310
15B120FE	15B412003120207	\$2,198	120	98	85	82.0%	3	355
15B145FE	15B414503120207	\$2,336	145	119	103	82.0%	3	360
15B170FE	15B517003120207	\$2,625	170	140	122	82.0%	4	420
15B195FE	15B519503120207	\$2,910	195	160	139	82.0%	4	425
15B245FE	15B624503120207	\$3,178	245	201	174	82.0%	5	495
15B295FE	15B729503120207	\$3,390	295	242	210	82.0%	6	555
(LP GAS - LESS SYSTEM PUMP)								
BOILER MODEL	ITEM NUMBER	TRADE PRICE	INPUT (MBH)	HTG. CAP. (MBH)	AHRI NET (MBH)	AFUE RATING %	NUMBER OF BURNERS	SHIP WGT.
15B045FE	15B204513100207	\$1,755	45	37	32	82.0%	1	255
15B070FE	15B307013100207	\$1,874	70	57	50	82.0%	2	305
15B096FE	15B309613100207	\$1,978	96	79	69	82.0%	2	310
15B120FE	15B412013100207	\$2,145	120	98	85	82.0%	3	355
15B145FE	15B414513100207	\$2,316	145	119	103	82.0%	3	360
15B170FE	15B517013100207	\$2,605	170	140	122	82.0%	4	420
15B195FE	15B519513100207	\$2,890	195	160	139	82.0%	4	425
15B245FE	15B624513100207	\$3,158	245	201	174	82.0%	5	495
15B295FE	15B729513100207	\$3,323	295	242	210	82.0%	6	555

15B SERIES II CONTINUED								
(LP GAS - WITH TACO SYSTEM PUMP)								
BOILER MODEL	ITEM NUMBER	TRADE PRICE	INPUT (MBH)	HTG. CAP. (MBH)	AHRI NET (MBH)	AFUE RATING %	NUMBER OF BURNERS	SHIP WGT.
15B045FE	15B204513110207	\$1,822	45	37	32	82.0%	1	255
15B070FE	15B307013110207	\$1,976	70	57	50	82.0%	2	305
15B096FE	15B309613110207	\$2,045	96	79	69	82.0%	2	310
15B120FE	15B412013110207	\$2,245	120	98	85	82.0%	3	355
15B145FE	15B414513110207	\$2,383	145	119	103	82.0%	3	360
15B170FE	15B517013110207	\$2,672	170	140	122	82.0%	4	420
15B195FE	15B519513110207	\$2,957	195	160	139	82.0%	4	425
15B245FE	15B624513110207	\$3,225	245	201	174	82.0%	5	495
15B295FE	15B729513110207	\$3,437	295	242	210	82.0%	6	555
(LP GAS - WITH GRUNDFOS SYSTEM PUMP)								
BOILER MODEL	ITEM NUMBER	TRADE PRICE	INPUT (MBH)	HTG. CAP. (MBH)	AHRI NET (MBH)	AFUE RATING %	NUMBER OF BURNERS	SHIP WGT.
15B045FE	15B204513120207	\$1,822	45	37	32	82.0%	1	255
15B070FE	15B307013120207	\$1,976	70	57	50	82.0%	2	305
15B096FE	15B309613120207	\$2,045	96	79	69	82.0%	2	310
15B120FE	15B412013120207	\$2,245	120	98	85	82.0%	3	355
15B145FE	15B414513120207	\$2,383	145	119	103	82.0%	3	360
15B170FE	15B517013120207	\$2,672	170	140	122	82.0%	4	420
15B195FE	15B519513120207	\$2,957	195	160	139	82.0%	4	425
15B245FE	15B624513120207	\$3,225	245	201	174	82.0%	5	495
15B295FE	15B729513120207	\$3,437	295	242	210	82.0%	6	555
(NATURAL GAS - WITH HYDROLEVEL HYDROSTAT CONTROL GRUNDFOS SYSTEM PUMP)								
BOILER MODEL	ITEM NUMBER	TRADE PRICE	INPUT (MBH)	HTG. CAP. (MBH)	AHRI NET (MBH)	AFUE RATING %	NO. OF BRNS.	SHIP WGT.
15B045FE	15B204503220207	\$1,896	45	37	32	82.0%	1	255
15B070FE	15B307003220207	\$2,015	70	57	50	82.0%	2	305
15B096FE	15B309603220207	\$2,119	96	79	69	82.0%	2	310
15B120FE	15B412003220207	\$2,319	120	98	85	82.0%	3	355
15B145FE	15B414503220207	\$2,457	145	119	103	82.0%	3	360
15B170FE	15B517003220207	\$2,746	170	140	122	82.0%	4	420
15B195FE	15B519503220207	\$3,031	195	160	139	82.0%	4	425
15B245FE	15B624503220207	\$3,299	245	201	174	82.0%	5	495
15B295FE	15B729503220207	\$3,511	295	242	210	82.0%	6	555
(USE PARTS MULTIPLIER FOR ALL OF THE FOLLOWING)						PN	TRADE	
15B045FE NATURAL GAS TO LP GAS CONVERSION KIT						550001279	\$46	
15B070FE NATURAL GAS TO LP GAS CONVERSION KIT						550001280	\$46	
15B096FE NATURAL GAS TO LP GAS CONVERSION KIT						550001281	\$46	
15B120FE NATURAL GAS TO LP GAS CONVERSION KIT						550001282	\$54	
15B145FE NATURAL GAS TO LP GAS CONVERSION KIT						550001283	\$54	
15B170FE NATURAL GAS TO LP GAS CONVERSION KIT						550001282	\$54	
15B195FE NATURAL GAS TO LP GAS CONVERSION KIT						550001285	\$51	
15B245FE NATURAL GAS TO LP GAS CONVERSION KIT						550001286	\$51	
15B295FE NATURAL GAS TO LP GAS CONVERSION KIT						550001287	\$60	
15B045FE LP GAS TO NATURAL GAS CONVERSION KIT						550001270	\$49	
15B070FE LP GAS TO NATURAL GAS CONVERSION KIT						550001271	\$49	
15B096FE LP GAS TO NATURAL GAS CONVERSION KIT						550001272	\$49	

(USE PARTS MULTIPLIER FOR ALL OF THE FOLLOWING - CONTINUED)	PN	TRADE
15B120FE LP GAS TO NATURAL GAS CONVERSION KIT	550001273	\$51
15B145FE LP GAS TO NATURAL GAS CONVERSION KIT	550001274	\$51
15B170FE LP GAS TO NATURAL GAS CONVERSION KIT	550001273	\$51
15B195FE LP GAS TO NATURAL GAS CONVERSION KIT	550001276	\$51
15B245FE LP GAS TO NATURAL GAS CONVERSION KIT	550001277	\$58
15B295FE LP GAS TO NATURAL GAS CONVERSION KIT	550001278	\$58
COMBUSTIBLE FLOOR PLATE FOR ALL CAPACITIES	14614032	\$96

15B SERIES II CONTINUED

15B SERIES II STANDARD EQUIPMENT

STANDARD EQUIPMENT:

- Boiler Control Module: Honeywell integrated High Limit Control, Vent Damper Control and Intermittent Spark Control housed under a protective cover.
- Heat Exchanger: Cast Iron Sections with Cast Iron Push Nipples.
- Combustion: Main Gas Burners, Combination 24 Volt Gas Control (Includes: Automatic Gas Valve, Gas Pressure Regulator, Intermittent Pilot, Safety Shutoff, Pilot Flow Adjustment, Pilot Filter)
- Safety: Spill Switch, Roll-Out Switch, Automatic Vent Damper.
- Other: Insulated Boiler Jacket, Integral Draft Diverter, Combination Temperature/Pressure Gauge, Circulator Pump, 3/4" Drain Valve, 30lb. ASME Relief Valve.

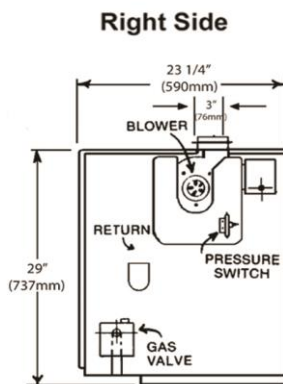
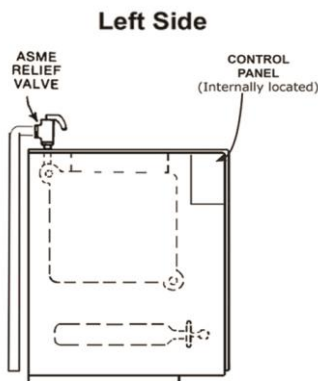
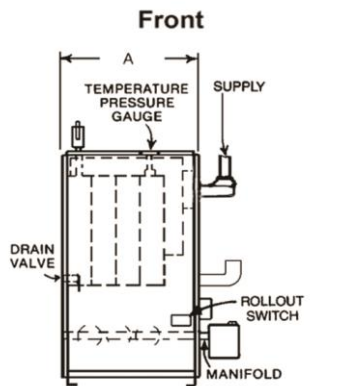
FSB SERIES II

NATURAL OR PROPANE
HOT WATER BOILER
INDUCED DRAFT
CHIMNEY/SIDEWALL VENTED



C.S.A. Certified for
Natural gas or
Propane

Tested for 50 psi.
ASME Working
Pressure



General Information (See IOM for complete instructions)

Clearances	Combustible Materials (Required) (1)
Top	6" (152 mm)
Rear	6" (152 mm)
Control Side	8" (203 mm)
Opposite Side	6" (152 mm)
Front (Alcove*)	18" (457 mm)
Flue/Vent Connector	6" (152 mm)

*Definition of Alcove is three sided space with no wall in front of boiler. ANSI standard for alcove is 18 inches from front of appliance to leading edge of side walls as shown in IOM.

Connections	Return/Supply Water	Gas In
All Models	1-1/4" NPT	1/2" NPT
Electrical	120 Volts AC, 60 hertz, 1 phase, Less than 12 amps (15 amp circuit recommended)	
Water Content	FSB-2 - 1.75 Gallons, FSB-3 - 3.00 Gallons, FSB-4 - 4.25 Gallons, FSB-5 - 5.50 Gallons, FSB-6 - 6.75 Gallons, FSB-7 - 8.00 Gallons	

Dimensions			
Model	A (Width)	(Height)	(Depth)
FSB-2	11"	29"	23-1/4"
FSB-3	14-1/4"		
FSB-4	17-1/2"		
FSB-5	20-3/4"		
FSB-6	24"		
FSB-7	27-1/4"		

FSB SERIES II CONTINUED									
(NATURAL GAS - WITH TACO SYSTEM PUMP)									
BOILER MODEL	ITEM NUMBER	TRADE PRICE	INPUT (MBH)	HTG. CAP. (MBH)	AHRI NET (MBH)	AFUE RATING %	CHIM. CAT. I*	SW CAT. III*	SHIP WGT.
FSB-2	FSB204203110207	\$1,968	42	36	31	84.4%	4	3	215
FSB-3	FSB307503110207	\$2,219	75	63	55	83.4%	4	3	265
FSB-4	FSB411203110207	\$2,448	112	94	82	83.0%	4	3	322
FSB-5	FSB515003110207	\$2,739	150	125	109	82.7%	4	3	370
FSB-6	FSB618703110207	\$3,208	187	155	135	82.3%	4	4	431
FSB-7	FSB722503110207	\$3,514	225	186	162	82.0%	4	4	480
(NATURAL GAS - WITH GRUNDFOS SYSTEM PUMP)									
BOILER MODEL	ITEM NUMBER	TRADE PRICE	INPUT (MBH)	HTG. CAP. (MBH)	AHRI NET (MBH)	AFUE RATING %	CHIM. CAT. I*	SW CAT. III*	SHIP WGT.
FSB-2	FSB204203120207	\$1,968	42	36	31	84.4%	4	3	215
FSB-3	FSB307503120207	\$2,219	75	63	55	83.4%	4	3	265
FSB-4	FSB411203120207	\$2,448	112	94	82	83.0%	4	3	322
FSB-5	FSB515003120207	\$2,739	150	125	109	82.7%	4	3	370
FSB-6	FSB618703120207	\$3,208	187	155	135	82.3%	4	4	431
FSB-7	FSB722503120207	\$3,514	225	186	162	82.0%	4	4	480
(LP GAS - WITH TACO SYSTEM PUMP)									
BOILER MODEL	ITEM NUMBER	TRADE PRICE	INPUT (MBH)	HTG. CAP. (MBH)	AHRI NET (MBH)	AFUE RATING %	CHIM. CAT. I*	SW CAT. III*	SHIP WGT.
FSB-2	FSB204213110207	\$2,016	42	36	31	84.4%	4	3	215
FSB-3	FSB307513110207	\$2,266	75	63	55	83.4%	4	3	265
FSB-4	FSB411213110207	\$2,496	112	94	82	83.0%	4	3	322
FSB-5	FSB515013110207	\$2,787	150	125	109	82.7%	4	3	370
FSB-6	FSB618713110207	\$3,256	187	155	135	82.3%	4	4	431
FSB-7	FSB722513110207	\$3,562	225	186	162	82.0%	4	4	480
(LP GAS - WITH GRUNDFOS SYSTEM PUMP)									
BOILER MODEL	ITEM NUMBER	TRADE PRICE	INPUT (MBH)	HTG. CAP. (MBH)	AHRI NET (MBH)	AFUE RATING %	CHIM. CAT. I*	SW CAT. III*	SHIP WGT.
FSB-2	FSB204213120207	\$2,016	42	36	31	84.4%	4	3	215
FSB-3	FSB307513120207	\$2,266	75	63	55	83.4%	4	3	265
FSB-4	FSB411213120207	\$2,496	112	94	82	83.0%	4	3	322
FSB-5	FSB515013120207	\$2,787	150	125	109	82.7%	4	3	370
FSB-6	FSB618713120207	\$3,256	187	155	135	82.3%	4	4	431
FSB-7	FSB722513120207	\$3,562	225	186	162	82.0%	4	4	480

*Chimney Vented - FSB may be chimney vented - Category I or SW - Sidewall Vented - Category III.
 Venting: FSB may be vented horizontally using U.L. listed ProTech Fas-N-Seal, Flex-L, Star-34, Z-flex Z-Vent or Heat-Fab Saf-T-Vent stainless steel vent pipe. Horizontal venting with a power venter is an alternate method of sidewall venting. FSB may be vented horizontally using single wall galvanized or Type B vent pipe in conjunction with a Field Controls Power Venter, Model SWG-4D (2-5 section) or SWG-5D (6-7 section). See installation manual for regulations and instructions. FSB may be chimney vented in accordance with National Fuel Gas code.

FSB SERIES II CONTINUED		
(USE PARTS MULTIPLIER FOR ALL OF THE FOLLOWING)	PN	TRADE
FSB NATURAL GAS TO LP GAS CONVERSION KIT (ALL SIZES)	550002722	\$82
FSB LP GAS TO NATURAL GAS CONVERSION KIT (ALL SIZES)	43300660	\$90
COMBUSTIBLE FLOOR PLATE FOR ALL CAPACITIES	14614032	\$96
TJERNLUND VH-1-3" SIDE WALL VENT HOOD (FSB 2-5)	14629010	\$229
TJERNLUND VH-1-3" SIDE WALL VENT HOOD (FSB 6-7)	14629011	\$274

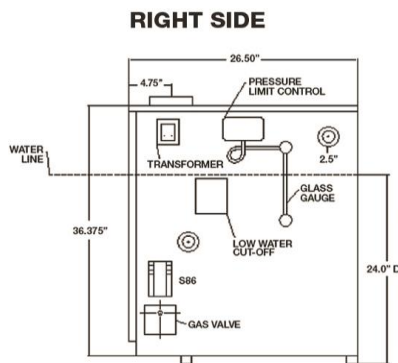
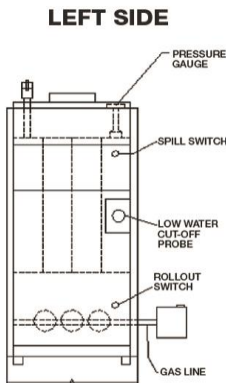
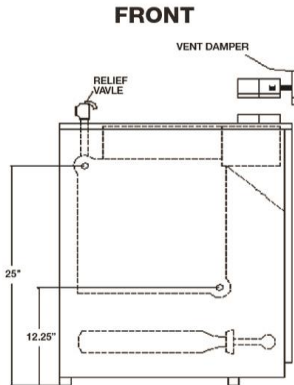
FSB SERIES II - STANDARD EQUIPMENT

STANDARD EQUIPMENT:

- Boiler Control Module: Recessed Honeywell Control (High Limit/Electronic Ignition Control).
- User Display Interface: Digital Temperature Display.
- Heat Exchanger: Cast Iron Sections with Cast Iron Push Nipples.
- Combustion: Completely Installed and Wired Gas Control System with Titanium Composite Burners and Manifold consisting of: Automatic Redundant Combination Gas Valve, 24 Volt Intermittent Pilot Control, Continuous Retry 100% Shut Off, Combination Pilot Burner/Electrode/Flame Sensor.
- Electrical: 24 Volt Transformer, Service Switch.
- Safety: Flame Roll-Out Safety Shut-Off (Fuse Link) and Pressure Switch (vent safety shutoff) with Spare Fuse Link included.
- Other: Assembled Boiler with Insulated Jacket, Induced Draft Fan, Combination Temperature/Pressure Gauge, Circulator Pump, 3/4" Drain Valve, 30lb. ASME Relief Valve.

16 SERIES
 NATURAL OR PROPANE
 STEAM BOILER

15 PSI
 MAWP



General Information (See IOM for complete instructions)

Clearances		Combustible Materials (Required) (1)
		(1) Required distances measured from boiler.
	Top	6" (152 mm)
	Left Side	7" (178 mm)
	Right Side	6" (152 mm)
	Front	Alcove*
	Back	6" (152 mm)
	Flue Connector	6" (152 mm)

*Definition of Alcove is three sided space with no wall in front of boiler. ANSI standard for alcove is 18 inches from front of appliance to leading edge of side walls as shown in IOM.

Connections	Supply	Return
		Two 2-1/2"

Electrical 120 Volts AC, 60 hertz, 1 phase, Less than 12 amps (15 amp circuit recommended)

Dimensions	
Model	A "Width"
1603HSID	11-1/4"
1604HSID	14-1/2"
1605HSID	17-3/4"
1606HSID	21"
1607HSID	24-1/4"
1608HSID	27-1/2"
1609HSID	30-3/4"

16 SERIES CONTINUED									
(NATURAL GAS)									
BOILER MODEL	ITEM NUMBER	TRADE PRICE	INPUT (MBH)	HTG. CAP. (MBH)	AHRI NET (MBH)	AHRI NET SQ. FT. STEAM	AFUE RATING %	FLUE DIA.	SHIP WGT.
1603HSID	353541106	\$2,308	75	62	47	196	82.7%	5"	297
1604HSID	354541106	\$2,581	112	91	68	283	82.0%	6"	368
1605HSID	355541106	\$2,884	150	122	92	383	82.0%	6"	440
1606HSID	356541106	\$3,296	187	153	115	479	82.0%	7"	512
1607HSID	357541106	\$3,681	225	183	137	571	82.0%	7"	584
1608HSID	358541106	\$4,066	262	214	161	671	82.0%	7"	659
1609HSID	359541106	\$4,333	299	245	184	767	82.0%	7"	736
(LP GAS)									
Note: These units are not built as LP Gas Models. Ratings shown are for models converted to LP using LP Conversion Kits.									
BOILER MODEL	ITEM NUMBER	TRADE PRICE	INPUT (MBH)	HTG. CAP. (MBH)	AHRI NET (MBH)	AHRI NET SQ. FT. STEAM	AFUE RATING %	FLUE DIA.	SHIP WGT.
1603HSID	353541106	\$2,308	70	58	44	183	82.7%	5"	297
1604HSID	354541106	\$2,581	105	85	64	267	80.4%	6"	368
1605HSID	355541106	\$2,884	140	114	86	358	80.6%	6"	440
1606HSID	356541106	\$3,296	175	143	107	446	80.9%	7"	512
1607HSID	357541106	\$3,681	210	171	128	533	81.1%	7"	584
1608HSID	358541106	\$4,066	245	200	150	625	81.3%	7"	659
1609HSID	359541106	\$4,333	280	229	172	717	81.5%	7"	736
(USE PARTS MULTIPLIER FOR ALL OF THE FOLLOWING)						PN	TRADE		
3 SECTION NATURAL GAS TO LP GAS CONVERSION KIT						43300723	\$50		
4 SECTION NATURAL GAS TO LP GAS CONVERSION KIT						43300724	\$50		
5 SECTION NATURAL GAS TO LP GAS CONVERSION KIT						43300725	\$50		
6 SECTION NATURAL GAS TO LP GAS CONVERSION KIT						43300726	\$59		
7 SECTION NATURAL GAS TO LP GAS CONVERSION KIT						43300727	\$59		
8 SECTION NATURAL GAS TO LP GAS CONVERSION KIT						43300728	\$59		
9 SECTION NATURAL GAS TO LP GAS CONVERSION KIT						43300729	\$59		
4 SECTION LP GAS TO NATURAL GAS CONVERSION KIT						43300632	\$130		
5 SECTION LP GAS TO NATURAL GAS CONVERSION KIT						43300633	\$130		
6 SECTION LP GAS TO NATURAL GAS CONVERSION KIT						43300634	\$130		
7 SECTION LP GAS TO NATURAL GAS CONVERSION KIT						43300635	\$130		
8 SECTION LP GAS TO NATURAL GAS CONVERSION KIT						43300636	\$130		
9 SECTION LP GAS TO NATURAL GAS CONVERSION KIT						43300637	\$155		
COMBUSTIBLE FLOOR PLATE FOR ALL CAPACITIES						14614032	\$96		
WF2 WATER FEEDER USED WITH PS802 LWCO						1630001	\$465		

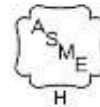
16 SERIES CONTINUED

16 SERIES - STANDARD EQUIPMENT

STANDARD EQUIPMENT:

- Boiler Controls: LWCO (Probe Type), Pressure Limit Control, Steam Pressure Gauge, Gauge Glass.
- Heat Exchanger: Cast Iron Sections with Cast Iron Push Nipples, (2) - 2-1/2" Supply Tappings; (2) - 2-1/2" Return Tappings.
- Combustion: Completely installed and wired gas control system consisting of: Titanium Composite Burners, Gas Manifold with Orifices, Automatic Redundant Combination Gas Valve 24 Volt, with Pilot Filter and Regulator, Intermittent Pilot Control, Continuous Retry 100% Shut-Off, Combination Pilot Burner/Electrode/Flame Sensor and Integral Draft Diverter
- Electrical: 24 Volt Transformer.
- Safety: Flame Roll-Out Safety Shut-Off Fuse Link (Roll-Out Switch) and Blocked Vent Safety Shut-Off Manual Reset Disc Thermostat (Spill Switch) with Spare Fuse Link included. 15 psi ASME Pop Safety Valve.
- Other: Cast Iron Boiler with Insulated Jacket; Boiler Drain.

41K SERIES
 NATURAL GAS
 COMMERCIAL STEAM BOILER



**41K SERIES STEAM
 (NATURAL GAS)**

BOILER MODEL	ITEM NUMBER	TRADE PRICE	OUTPUT BTU (MBH)	NET AHRI RATINGS			NO. OF SECT.	SHIP WGT.
				STEAM PPF	STEAM SQ. FT. (1)	STEAM BTU (MBH)		
41K300S	CBA030003101107	\$7,872	233	1.333	729	175	4	1000
41K400S	CBA040003101107	\$8,857	310	1.333	971	233	5	1200
41K500S	CBA050003101107	\$9,846	388	1.333	1213	291	6	1400
41K600S	CBA060003101107	\$12,804	465	1.333	1454	349	7	1600
41K700S	CBA070003101107	\$13,792	543	1.333	1696	407	8	1800
41K800S	CBA080003101107	\$14,818	620	1.333	1938	465	9	2000
41K900S	CBA090003101107	\$15,902	698	1.333	2183	524	10	2200
41K1000S	CBA100003101107	\$16,886	775	1.333	2421	581	11	2400
41K1100S	CBA110003101107	\$19,923	853	1.333	2667	640	12	2600
41K1200S	CBA120003101107	\$20,909	930	1.333	2908	698	13	2900
41K1300S	CBA130003101107	\$22,471	1008	1.333	3150	756	14	3100
41K1400S	CBA140003101107	\$23,461	1085	1.333	3392	814	15	3300
41K1500S	CBA150003101107	\$24,471	1163	1.333	3633	872	16	3500
(USE PARTS MULTIPLIER FOR ALL OF THE FOLLOWING)						PN	TRADE	
STEAM MANUAL RESET PRESSURE CONTROL (L4079B1033)						14662311	\$266	
M-M 47-2 LWCO & FEEDER (MODELS 300-1500)						1280001	\$1,194	
STRAP ON OPERATING CONTROL (L6006C-1034)						14662313	\$160	
LWCO, MAN RESET, CSD-1 APPROVED, SHT PROBE						240007388	\$212	

41K SERIES STEAM (CONTINUED)

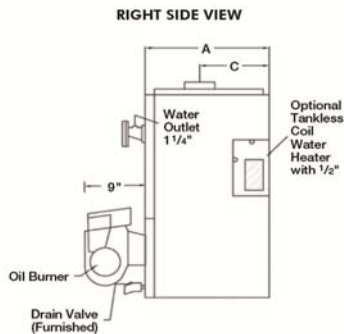
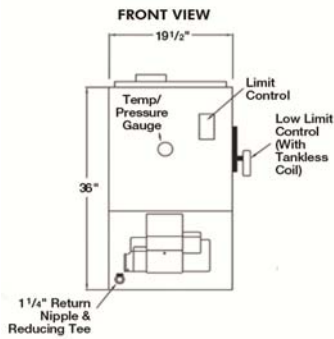
41K SERIES STEAM - STANDARD EQUIPMENT

STANDARD EQUIPMENT:

41K Series Gas Fired Steam Boilers are low pressure, sectional, cast iron boilers manufactured in 15 heating sizes. Input range from 300,000 to 1,500,000 Btuh for use in larger sized residences, schools, churches, and commercial or industrial buildings. These boilers can be used in multiples to supply even larger loads. The 41K Series Boiler is a modular design. Bases, Jackets and Drafthoods are designed in three modular sizes and all boilers are field assembled using a combination of one or more of these three modules. Boiler bases are preassembled at the factory with the gas valve, manifold, burners, and pilot installed. All drafthoods have a cleanout panel to provide easy access to flueways for inspection and cleaning. On-site boiler assembly is quick and easy with preassembled bases and easy section by section assembly procedures. The same assembly techniques are used on all sizes, so assemblers become familiar with the equipment and are able to reduce installation time and cost. Steam boilers are designed for use with a maximum working pressure of 15 psi. (67 Low Water Cut-Off, PA404A Pressuretrol and Syphon Loop, Water Gauge Glass Set with Glass and Rods, Steam Gauge, Pop Safety Valve).

KW II SERIES II
 OIL
 HOT WATER BOILER
 ATMOSPHERIC
 (CHIMNEY VENTED)

50 PSI
 MAWP



General Information (See IOM for complete instructions)

Clearances		Combustible Materials Required (1)	Servicing (2)	Flue to Combustible Clearance	
(1) Required distances measured from boiler.	Top	6" (152 mm)	18" (457 mm)	18" (457 mm)	
	Left Side	6" (152 mm)	N/A		
	Right Side	24" (610 mm)	24" (610 mm)		
	(2) Service, proper operation clearance recommendation.	Front	24" (610 mm)		N/A
		Back	6" (152 mm)		N/A
		Bottom	Non-Combustible		N/A
Connections	Return/Supply Water				
All Models	1-1/4" NPT				
Electrical	120 Volts AC, 60 hertz, 1 phase, Less than 12 amps (15 amp circuit recommended)				
Water Content	3KW - 9.6 Gallons, 4kW - 11.6 Gallons, 5KW - 13.7 Gallons				
Dimensions					
Model	A "Depth"	B "Flue"	C "Back of Boiler to Center Line of Flue"		
3KW	17-3/4"	6"	9-3/4"		
4KW	21"	6"	11-3/8"		
5KW	24-1/4"	6"	13"		

KW II SERIES LESS COIL CONTINUED										
(BECKETT, LESS PUMP)										
BOILER MODEL	ITEM NUMBER	TRADE PRICE	BURNER FIRE RATE	INPUT (MBH)	HTG. CAP. (MBH)	AHRI NET (MBH)	A.F.U.E. RATING %	CHIM DIA.	SHIP WGT.	
3KW.75	KWB307531100207	\$2,223	0.75	105	92	80	85.2%	8"X8"X15'	470	
4KW1.50	KWB415031100207	\$2,490	1.50	210	179	156	84.0%	8"X8"X15'	545	
5KW1.75	KWB517531100207	\$3,043	1.75	245	210	183	84.3%	8"X8"X15'	630	
(BECKETT W/TACO)										
BOILER MODEL	ITEM NUMBER	TRADE PRICE	BURNER FIRE RATE	INPUT (MBH)	HTG. CAP. (MBH)	AHRI NET (MBH)	A.F.U.E. RATING %	CHIM DIA.	SHIP WGT.	
3KW.75	KWB307531110207	\$2,293	0.75	105	92	80	85.2%	8"X8"X15'	470	
4KW1.50	KWB415031110207	\$2,560	1.50	210	179	156	84.0%	8"X8"X15'	545	
5KW1.75	KWB517531110207	\$3,113	1.75	245	210	183	84.3%	8"X8"X15'	630	
(BECKETT W/GRUNDFOS)										
BOILER MODEL	ITEM NUMBER	TRADE PRICE	BURNER FIRE RATE	INPUT (MBH)	HTG. CAP. (MBH)	AHRI NET (MBH)	A.F.U.E. RATING %	CHIM DIA.	SHIP WGT.	
3KW.75	KWB307531120207	\$2,293	0.75	105	92	80	85.2%	8"X8"X15'	470	
4KW1.50	KWB415031120207	\$2,560	1.50	210	179	156	84.0%	8"X8"X15'	545	
5KW1.75	KWB517531120207	\$3,113	1.75	245	210	183	84.3%	8"X8"X15'	630	
KW II SERIES II WITH COIL										
(BECKETT, LESS PUMP)										
BOILER MODEL	ITEM NUMBER	TRADE PRICE	BURNER FIRE RATE	INPUT (MBH)	HTG. CAP. (MBH)	AHRI NET (MBH)	A.F.U.E. RATING %	CHIM DIA.	TANK-LESS G.P.M.	SHIP WGT .
3KW.75	KWB307532100207	\$2,500	0.75	105	92	80	85.2%	8"X8"X15'	3.00	470
4KW1.50	KWB415032100207	\$2,948	1.50	210	179	156	84.0%	8"X8"X15'	3.75	545
5KW1.75	KWB517532100207	\$3,398	1.75	245	210	183	84.3%	8"X8"X15'	4.00	630
(BECKETT W/TACO)										
BOILER MODEL	ITEM NUMBER	TRADE PRICE	BURNER FIRE RATE	INPUT (MBH)	HTG. CAP. (MBH)	AHRI NET (MBH)	A.F.U.E. RATING %	CHIM DIA.	TANK-LESS G.P.M.	SHIP WGT .
3KW.75	KWB307532110207	\$2,570	0.75	105	92	80	85.2%	8"X8"X15'	3.00	470
4KW1.50	KWB415032110207	\$3,018	1.50	210	179	156	84.0%	8"X8"X15'	3.75	545
5KW1.75	KWB517532110207	\$3,468	1.75	245	210	183	84.3%	8"X8"X15'	4.00	630
(BECKETT W/GRUNDFOS)										
BOILER MODEL	ITEM NUMBER	TRADE PRICE	BURNER FIRE RATE	INPUT (MBH)	HTG. CAP. (MBH)	AHRI NET (MBH)	A.F.U.E. RATING %	CHIM DIA.	TANK-LESS G.P.M.	SHIP WGT .
3KW.75	KWB307532120207	\$2,570	0.75	105	92	80	85.2%	8"X8"X15'	3.00	470
4KW1.50	KWB415032120207	\$3,018	1.50	210	179	156	84.0%	8"X8"X15'	3.75	545
5KW1.75	KWB517532120207	\$3,468	1.75	245	210	183	84.3%	8"X8"X15'	4.00	630

(USE PARTS MULTIPLIER FOR ALL OF THE FOLLOWING)	PN	TRADE
3 SECTION RE-RATE KIT (0.75 TO 0.60 OR 1.00 G.P.H.)	550002646	\$23
4 SECTION RE-RATE KIT (1.50 TO 0.90 OR 1.25 G.P.H.)	550002647	\$23
5 SECTION RE-RATE KIT (1.75 TO 1.20 OR 2.00 G.P.H.)	550002648	\$56
FILL-TROL #110 FOR WATER BOILERS 150 MBH OR LESS	14624002	\$291
FILL-TROL #111 FOR WATER BOILERS OVER 150 MBH	14624003	\$392

KW II SERES- STANDARD EQUIPMENT

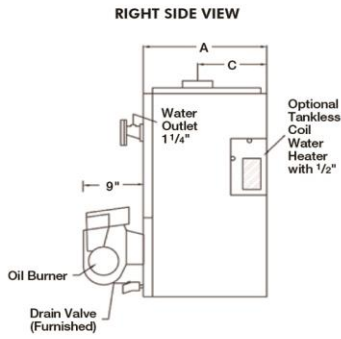
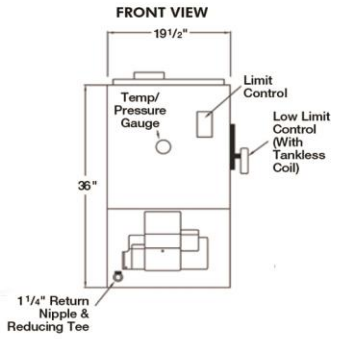
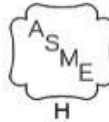
STANDARD EQUIPMENT:

- Boiler Control Module: Honeywell Combination High Limit Control and Circulator Relay Control with digital temperature display and diagnostics.
- Heat Exchanger: Cast Iron Sections with Cast Iron Push Nipples.
- Combustion: Completely installed and wired Beckett AFG Series Oil Burner equipped with Nozzle, Primary Control, CAD Cell, PSC Motor, Interrupted Duty Ignition and Clean Cut Pump; Flue Brush; Target Wall (Vacuum Formed Refractory Ceramic Fiber); Dura Blanket Insulation Chamber and Barometric Draft Control 6".
- Other: Assembled Boiler with Insulated Jacket, Combination Temperature/Pressure Gauge, Circulator Pump wired with 5' harness for supply or return mounting in the field, 3/4" Boiler Drain Valve, 30 psi ASME Relief Valve, Extra Boiler Tap for Expansion Tank or Air Elimination.

KW II SERIES II

OIL
HOT WATER BOILER
ATMOSPHERIC
(CHIMNEY VENTED, HYDROLEVEL CONTROL)

50 PSI
MAWP



General Information (See IOM for complete instructions)

Clearances		Combustible Materials Required (1)	Servicing (2)	Flue to Combustible Clearance
		(1) Required distances measured from boiler.	6" (152 mm)	18" (457 mm)
(2) Service, proper operation clearance recommendation.	Top	6" (152 mm)	18" (457 mm)	
	Left Side	6" (152 mm)	N/A	
	Right Side	24" (610 mm)	24" (610 mm)	
	Front	24" (610 mm)	N/A	
	Back	6" (152 mm)	N/A	
	Bottom	Non-Combustible	N/A	
Connections	Return/Supply Water			
All Models	1-1/4" NPT			
Electrical	120 Volts AC, 60 hertz, 1 phase, Less than 12 amps (15 amp circuit recommended)			
Water Content	3KW - 9.6 Gallons, 4kW - 11.6 Gallons, 5KW - 13.7 Gallons			
Dimensions				
Model	A "Depth"	B "Flue"	C "Back of Boiler to Center Line of Flue"	
3KW	17-3/4"	6"	9-3/4"	
4KW	21"	6"	11-3/8"	
5KW	24-1/4"	6"	13"	

KW II SERIES II LESS COIL (BECKETT, LESS PUMP, HYDROLEVEL CONTROL)										
BOILER MODEL	ITEM NUMBER	TRADE PRICE	BURNER FIRE RATE	INPUT (MBH)	HTG. CAP. (MBH)	AHRI NET (MBH)	A.F.U.E. RATING %	CHIM DIA.	SHIP WGT.	
3KW.75	KWB307531200207	\$2,308	0.75	105	92	80	85.2%	8"X8"X15'	470	
4KW1.50	KWB415031200207	\$2,575	1.50	210	179	156	84.0%	8"X8"X15'	545	
5KW1.75	KWB517531200207	\$3,128	1.75	245	210	183	84.3%	8"X8"X15'	630	
KW II SERIES II WITH COIL (BECKETT, LESS PUMP, HYDROLEVEL CONTROL)										
BOILER MODEL	ITEM NUMBER	TRADE PRICE	BURNER FIRE RATE	INPUT (MBH)	HTG. CAP. (MBH)	AHRI NET (MBH)	A.F.U.E. RATING %	CHIM DIA.	SHIP WGT.	
3KW.75	KWB307531210207	\$2,378	0.75	105	92	80	85.2%	8"X8"X15'	470	
4KW1.50	KWB415031210207	\$2,645	1.50	210	179	156	84.0%	8"X8"X15'	545	
5KW1.75	KWB517531210207	\$3,198	1.75	245	210	183	84.3%	8"X8"X15'	630	
KW II SERIES II WITH COIL (BECKETT, LESS PUMP, HYDROLEVEL CONTROL)										
BOILER MODEL	ITEM NUMBER	TRADE PRICE	BURNER FIRE RATE	INPUT (MBH)	HTG. CAP. (MBH)	AHRI NET (MBH)	A.F.U.E. RATING %	CHIM DIA.	TANK-LESS G.P.M.	SHIP WGT.
3KW.75	KWB307532200207	\$2,585	0.75	105	92	80	85.2%	8"X8"X15'	3.00	470
4KW1.50	KWB415032200207	\$3,033	1.50	210	179	156	84.0%	8"X8"X15'	3.75	545
5KW1.75	KWB517532200207	\$3,483	1.75	245	210	183	84.3%	8"X8"X15'	4.00	630
KW II SERIES II WITH COIL (BECKETT W/TACO, HYDROLEVEL CONTROL)										
BOILER MODEL	ITEM NUMBER	TRADE PRICE	BURNER FIRE RATE	INPUT (MBH)	HTG. CAP. (MBH)	AHRI NET (MBH)	A.F.U.E. RATING %	CHIM DIA.	TANK-LESS G.P.M.	SHIP WGT.
3KW.75	KWB307532210207	\$2,655	0.75	105	92	80	85.2%	8"X8"X15'	3.00	470
4KW1.50	KWB415032210207	\$3,103	1.50	210	179	156	84.0%	8"X8"X15'	3.75	545
5KW1.75	KWB517532210207	\$3,553	1.75	245	210	183	84.3%	8"X8"X15'	4.00	630
KW II SERIES II WITH COIL (BECKETT W/ GRUNDFOS SYSTEM PUMP, HYDROLEVEL CONTROL)										
BOILER MODEL	ITEM NUMBER	TRADE PRICE	BURNER FIRE RATE	INPUT (MBH)	HTG. CAP. (MBH)	AHRI NET (MBH)	A.F.U.E. RATING %	CHIM DIA.	TANK-LESS G.P.M.	SHIP WGT.
3KW.75	KWB307532220207	\$2,655	0.75	105	92	80	85.2%	8"X8"X15'	3.00	470
4KW1.50	KWB415032220207	\$3,103	1.50	210	179	156	84.0%	8"X8"X15'	3.75	545
5KW1.75	KWB517532220207	\$3,553	1.75	245	210	183	84.3%	8"X8"X15'	4.00	630
KW II SERIES II LESS COIL (BECKETT W/ GRUNDFOS SYSTEM PUMP, HYDROLEVEL CONTROL)										
BOILER MODEL	ITEM NUMBER	TRADE PRICE	BURNER FIRE RATE	INPUT (MBH)	HTG. CAP. (MBH)	AHRI NET (MBH)	A.F.U.E. RATING %	CHIM DIA.	SHIP WGT.	
3KW.75	KWB307531220207	\$2,378	0.75	105	92	80	85.2%	8"X8"X15'	470	
4KW1.50	KWB415031220207	\$2,645	1.50	210	179	156	84.0%	8"X8"X15'	545	
5KW1.75	KWB517531220207	\$3,198	1.75	245	210	183	84.3%	8"X8"X15'	630	

(USE PARTS MULTIPLIER FOR ALL OF THE FOLLOWING)	PN	TRADE
3 SECTION RE-RATE KIT (0.75 TO 0.60 OR 1.00 G.P.H.)	550002646	\$23
4 SECTION RE-RATE KIT (1.50 TO 0.90 OR 1.25 G.P.H.)	550002647	\$23
5 SECTION RE-RATE KIT (1.75 TO 1.20 OR 2.00 G.P.H.)	550002648	\$56
FILL-TROL #110 FOR WATER BOILERS 150 MBH OR LESS	14624002	\$291
FILL-TROL #111 FOR WATER BOILERS OVER 150 MBH	14624003	\$392

KW II SERIES- STANDARD EQUIPMENT

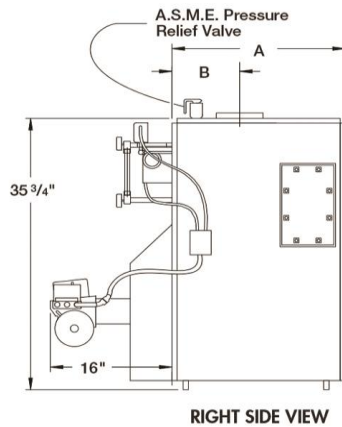
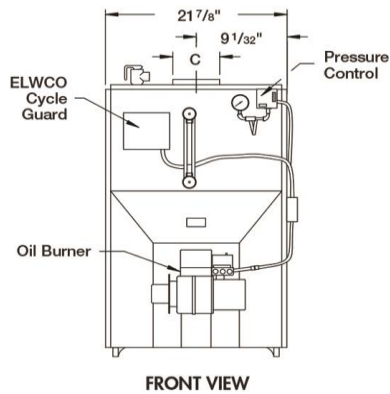
STANDARD EQUIPMENT:

- Boiler Control Module: Hydrolevel Fuel Smart Hydrostat Control - combination Low Water Cut Off with boiler temperature reset and circulator control.
- Heat Exchanger: Cast Iron Sections with Cast Iron Push Nipples.
- Combustion: Completely installed and wired Beckett AFG Series Oil Burner equipped with Nozzle, Primary Control, CAD Cell, PSC Motor, Interrupted Duty Ignition and Clean Cut Pump; Flue Brush; Target Wall (Vacuum Formed Refractory Ceramic Fiber); Dura Blanket Insulation Chamber and Barometric Draft Control 6".
- Other: Assembled Boiler with Insulated Jacket, Combination Temperature/Pressure Gauge, Circulator Pump wired with 5' harness for supply or return mounting in the field, 3/4" Boiler Drain Valve, 30 psi ASME Relief Valve, Extra Boiler Tap for Expansion Tank or Air Elimination.

KSC IV SERIES

OIL
STEAM BOILER

15 PSI
MAWP



General Information (See IOM for complete instructions)

Clearances	Combustible Materials (Required) (1)	
	Top	24" (610 mm)
	Left Side	6" (152 mm)
	Right Side	24" (610 mm)
	Front	24" (610 mm)
	Back	24" (610 mm)
	Flue Connector	9" (229 mm)
(1) Required distances measured from boiler.		
Connections	Supply Tapping Two 2" NPT, Return Tapping 1-1/2", Oil Line 3/8" O.D. copper tubing for runs of 50 feet or less, and 1/2" O.D. for longer runs.	
Electrical	120 Volts AC, 60 hertz, 1 phase, Less than 12 amps (15 amp circuit recommended)	

Tankless Heater Capacities (Note: ST=With Tankless Coil, S=No Coil)

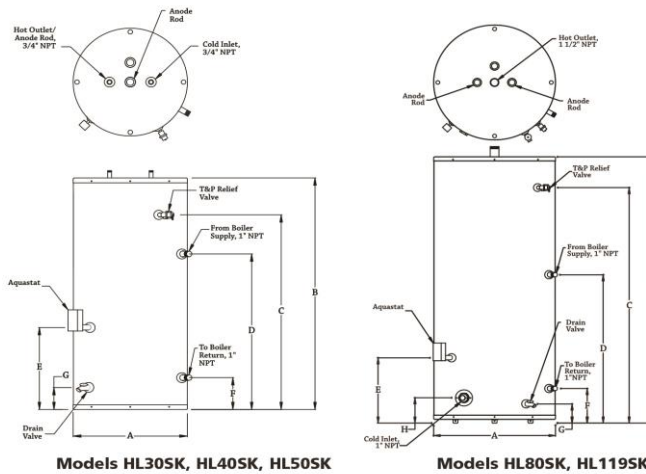
Model	Input Rate G.P.H.	Tank-less Heater Number	Tankless Heater Capacity Intermittent Draw G.P.M.	Boiler Water Content (Gallons)	
				To Water Line	To LWCO Line
KSC-3090ST	0.90	L-24	2	11	8
KSC-4125ST	1.25		4.5	13	9
KSC-5185ST	1.85		4.5	15	10
KSC-6210ST	2.10		4.5	17	11

Dimensions

No. of Sec.	A (Length of Flush Jacket)	B (Front of Jacket to Center Line of Flue Outlet)	C (Flue Outlet Diameter)
KSC-3090ST	16-3/8"	6-1/2"	6"
KSC-4125ST	20-1/4"	8-1/2"	6"
KSC-5185ST	23-5/8"	10-1/4"	7"
KSC-6210ST	27-1/2"	8-5/16"	8"

KSC IV SERIES CONTINUED											
(W/TANKLESS COVER PLATE, BECKETT BURNER)											
BOILER MODEL	ITEM NUMBER	TRADE PRICE	No. of Sec.	INPUT (MBH)	HTG. CAP. (MBH)	AHRI NET (MBH)	AHRI NET SQ. FT. STEAM	Fir. Rate GPH	AFUE RATING %	SHIP WGT.	
KSC-3090S	KSC309031100407	\$3,124	3	126	106	80	333	0.90	82.0%	534	
KSC-4125S	KSC412531100407	\$3,606	4	175	147	110	458	1.25	82.0%	688	
KSC-5185S	KSC518531100407	\$3,911	5	259	216	162	675	1.85	82.0%	781	
KSC-6210S	KSC621031100407	\$4,274	6	294	247	185	771	2.10	82.0%	901	
(W/TANKLESS COIL, BECKETT BURNER)											
BOILER MODEL	ITEM NUMBER	TRADE PRICE	No. of Sec.	INPUT (MBH)	HTG. CAP. (MBH)	AHRI NET (MBH)	AHRI NET SQ. FT. STEAM	Fir. Rate GPH	AFUE RATING %	SHIP WGT.	
KSC-3090ST	KSC309032100407	\$3,500	3	126	106	80	333	0.90	82.0%	534	
KSC-4125ST	KSC412532100407	\$3,981	4	175	147	110	458	1.25	82.0%	688	
KSC-5185ST	KSC518532100407	\$4,285	5	259	216	162	675	1.85	82.0%	781	
KSC-6210ST	KSC621032100407	\$4,649	6	294	247	185	771	2.10	82.0%	901	
(USE PARTS MULTIPLIER FOR ALL OF THE FOLLOWING)							PN	TRADE			
COMBUSTIBLE FLOOR PLATE FOR ALL CAPACITIES							14614032	\$96			
KSC IV SERIES - STANDARD EQUIPMENT											
STANDARD EQUIPMENT:											
<ul style="list-style-type: none"> - Boiler Controls: Honeywell Pressuretrol, Boiler Water Level Gauge Glass, and Steam Pressure Gauge. - Heat Exchanger: Cast Iron Heat Exchanger with Cast Iron Push Nipples, Swing Door. - Combustion: Beckett Oil Burner, TargetWall/Liner. - Electrical: Wiring Harness, Burner Electric Disconnect. - Safety: Electronic Low Water Cut Off. Other: Crated Boiler, Flush Jacket, ASME Relief Valve, Drain Valve, Two 2" Supply Tappings, 1-1/2" Return Tapping and Skim Port. For Tankless Heater Units: Add Tankless Hot Water Coil and 4006 Limit Control.											

HOTLINE SERIES
INDIRECT WATER HEATER



Note: Max. Working pressure 150 psi for all capacities.

General Information (See IOM for complete instructions)

Model	Piping Connections NPT		A Dia. (Inches)	B Height (Inches)
	Domestic Water In/Out (Inches)	Boiler Water In/Out (Inches)		
*ST00211D	3/4	1	22.0	35-3/4
ST00215D	3/4	1	22.0	42-3/4
ST00212D	3/4	1	22.0	48-3/4
ST00213D	1	1	24.0	64-3/4
ST00214D	1	1	28.0	65-1/4

HOTLINE INDIRECT WATER HEATERS

MODEL	NAME	TRADE PRICE	STOR. CAP. (Gals.)	BTU/H MIN. BOILER OUTPUT	MAX 1ST HR FLOW RATINGS	SHP. WGT. (LBS.)
*ST00211D	HL30SK	\$1,170	30	74	115	140
ST00215D	HL40SK	\$1,288	40	74	125	200
ST00212D	HL50SK	\$1,419	50	74	140	220
ST00213D	HL80SK	\$2,024	80	150	185	286
ST00214D	HL119SK	\$2,482	119	175	250	372

*SURFACE MOUNTED THERMOSTAT.

HOTLINE - OPTIONS/ADDITIONAL EQUIP.

	P/N	TRADE
MAGNESIUM ANODE 3/4 X 30; 30-40-50 GAL.	ST00301	\$63
MAGNESIUM ANODE 3/4 X 36; 80 GAL.	ST00701	\$51
MAGNESIUM ANODE 3/4 X 36; 119 GAL.	ST00901	\$42
DIP TUBE 3/4 X 3 X 33; 30 GAL.	ST00401	\$72
DIP TUBE 3/4 X 3 X 38; 40 GAL.	ST01301	\$16
DIP TUBE 3/4 X 3 X 44; 50 GAL.	ST00801	\$31
T & P VALVE 3/4, LL100XL; 30-40-50 GAL.	ST00601	\$37
T & P VALVE 3/4, 140X5; 80-119 GAL.	ST01001	\$90
AQUASTAT L4080B1352	ST01101	\$324

HOTLINE INDIRECT WATER HEATER STANDARD EQUIPMENT

STANDARD EQUIPMENT: Factory Assembled Hot Water Tank; Steel Tank with 2" Foam Insulation; Smooth Coil Coated with Porcelain to resist Corrosion and Lime Build-Up; Replicable Magnesium Anode Rod Aquastat Limit Control; Self Cleaning Drain Valve; Factory Installed T & P Valve.

BOILER ACCESSORIES (USE PARTS MULTIPLIER)					
AMTROL EXTROL SYSTEMS					
EXTROL TANKS			EXTROL W/FILL-TROL		
MODEL	P/N	TRADE PRICE	MODEL	P/N	TRADE PRICE
15	1220001	\$103	109	1220004	\$160
30	1220002	\$141	110	1220005	\$234
60	1220003	\$310	111	1220006	\$296
PURGERS			AUTOMATIC FILL VALVE		
SIZE	P/N	TRADE PRICE	SIZE	P/N	TRADE PRICE
1 1/4"	1570008	\$35	700 VENT (AUTO)	1580001	\$29
CIRCULATORS					
MODEL		P/N		TRADE PRICE	
UP26-64F GRUNDFOS		1402010		\$411	
UP26-99F GRUNDFOS		1402008		\$603	
ISOLATION VALVE SETS 1-1/4"		1235004		\$94	