

# RETROAIRE™

## US Trade Price Book - 2019

Effective 12/2/19



New Construction, Custom and Replacement PTAC/PTHP Solutions.  
Replacement Packaged Terminal Air Conditioners & Heat Pumps.  
Replacement Water Source Heat Pump Consoles.

[www.emiretroaire.com](http://www.emiretroaire.com)



Manufactured by:  
ECR International Inc.  
2201 Dwyer Avenue, Utica, NY 13501  
Tel. 800 325 5479  
[www.ecrinternational.com](http://www.ecrinternational.com)  
PN 240012848 REV. E [11/27/2019]

## Customer Support Team

---

### **Volume Quotes:**

Sheila Henderson: (315) 731-4154

Email: sheila.henderson@ecrinternational.com

### **Customer Service:**

Phone: (800) 228-9364 option #2

Fax: (315) 724-9319

Email Purchase Orders: [ecrorderentry@ecrinternational.com](mailto:ecrorderentry@ecrinternational.com)

Email Inquiries: [customerservice@ecrinternational.com](mailto:customerservice@ecrinternational.com)

### **Technical Support:**

Phone: (800) 253-7900

Fax: (866) 432-7329

Email: [technical.support@ecrinternational.com](mailto:technical.support@ecrinternational.com)

### **Marketing Support:**

Phone: (800) 325-5479

Fax: (315) 733-1759

E-mail: [marketing@ecrinternational.com](mailto:marketing@ecrinternational.com)

### **WWW.ECRCUSTOMERPORTAL.COM**

#### **Your On-line Access to:**

- Order Status
- Invoices
- Statements
- RMA
- Serial Number Look-Up
- Literature

## Table of Contents

<b>Terms &amp; RMA Policy</b>		<b>4</b>
<b>Retroaire Selection Guide (OEM Cross-Reference)</b>		<b>5</b>
<b>Replacement Packaged Terminal Units PTAC/PTHP Dual Motor</b>		<b>6-10</b>
<b>DECODING</b>	Replacement Dual Motor PTAC & PTHP Model Decoding	<b>6</b>
<b>R10C/R10H</b>	Dual-Motor Replacement	<b>7</b>
<b>R12C</b>	Dual-Motor Replacement	<b>8</b>
<b>R20C/R20H</b>	Dual-Motor Replacement	<b>9</b>
<b>R22C/R22H</b>	Dual-Motor Replacement	<b>10</b>
<b>Replacement PTAC Single Motor</b>		<b>11-14</b>
<b>DECODING</b>	Single Motor PTAC Chassis Model Decoding	<b>11</b>
<b>R25C/R25H</b>	Single & Dual Motor Replacement	<b>12</b>
<b>R30C/R30H</b>	Single & Dual Motor Replacement	<b>13</b>
<b>R35C/R35H</b>	Single & Dual Motor Replacement	<b>14</b>
<b>Water Source Heat Pump Consoles</b>		<b>15-18</b>
<b>DECODING</b>	Water Source Units Decoding	<b>15</b>
<b>CMH</b>	Water Source Heat Pump Console Chassis	<b>16</b>
<b>CWH</b>	Water Source Heat Pump Console Chassis	<b>17</b>
<b>WMH</b>	Water Source Heat Pump Console Chassis	<b>18</b>
<b>Modular PTAC</b>		<b>19-21</b>
<b>DECODING</b>	Modular PTAC Chassis Decoding	<b>19</b>
<b>R60C/R60H</b>	Modular / Incremental Replacement PTAC/PTHP System	<b>20</b>
<b>ACCESSORIES</b>	General Equipment Accessories	<b>21</b>
<b>Warranty</b>		<b>22-23</b>

## Terms & Conditions of Sale - General Terms

**PRICES & SPECIFICATIONS:** All pricing and specifications subject to change without notice. The prices herein supersede all prior quotations, promotions and addendums.

**ORDERS:** Orders will be accepted based on prices in effect at the time the order is received. No order or contract will become an obligation on our part until accepted by the General Sales Department. ECR International shall not be liable for any delay or failure in the delivery or shipment of goods due to any cause or causes beyond its control.

**LEAD TIMES:** Please consult the factory for lead times & availability. ECR does not carry inventory of customized models.

**LARGE JOBS:** Please consult factory for pricing and availability for any special order models.

**TAXES:** Add to the prices and terms quoted any manufacturers' or sales tax payable on the transaction under any effective statute. All orders must include sales tax or resale certificate of sales tax exemption (If not already on file).

**FREIGHT TERMS:** For all shipments consult the factory for a freight quote. **F.O.B. ECR INTERNATIONAL - FACTORY OR WAREHOUSE**

### Sales Order Information Check List

The following information must be included on equipment or parts orders to insure proper shipment & invoicing:

- |  |   |
|--|---|
| 1) Purchase Order Number                       | 7) Pricing  |
| 2) Bill to Address                             | 8) Product Description (Model, Size, etc.)  |
| 3) Ship to Address                             | 9) Electrical (Operating Voltage, Cycles, Phases, etc.)   |
| 4) Method of Shipment (trailer load, UPS)      | 10) Non-Standard Equipment (Indicate "Optional" when substituted for standard equipment at extra cost listed. (Indicate added to standard equipment.) |
| 5) Requested Ship Date                         |   |
| 6) Special Instructions ("Carrier to call...") | 12) Kits or Parts (Orders for kits or parts must indicate equipment size and series.)   |

Send orders to:

**E-mail: [ecrorderentry@ecrinternational.com](mailto:ecrorderentry@ecrinternational.com)**

**Fax: (315) 724-9319**

Please note the following Remit to Address:

**ECR International, Inc.  
P.O. Box 8000 Department 039  
Buffalo, NY 14267**

---

### Return Material Policy

**Prior Approval Required** - All returns for warranty claims must be approved by ECR and require a RMA number prior to the return of the material. A request must be completed via ECR International's online web portal. Please logon to [www.ecrcustomerportal.com](http://www.ecrcustomerportal.com) to complete your request for return. If you do not already have access to the customer web portal please contact ECR Customer Service at 1-800-325-5479 to be set up.

**Eligibility** - Special Order Products are not eligible for return as new and unused product. Request for Warranty Returns must be made within the period covered by the warranty and must fall under the terms and conditions specified in the warranty.

**RMA Expiration** - Once the RMA # is issued, the product must be returned within 90 days of the RMA date, or the RMA will be canceled. Products approved for return that are received after 90 days from the RMA date will not be accepted.

**Shipping & Packaging** - All returns must have a valid RMA number clearly displayed on the exterior of the package or the package will not be accepted. All returns must be shipped prepaid by the customer unless otherwise directed by ECR. Ship all approved return material to the facility indicated on the approved RMA.

## Retroaire Selection Guide (OEM Cross-Reference)

Original Model	Retro Model	Original Model	Retro Model	Original Model	Retro Model
Adirondack Aire Series 16	R10	Ice Air RS16	R10	McQuay PNHS	R10
Adirondack Aire Series 45	R10	Ice Air RSCM/A	R20	McQuay RS	R35
Adirondack Aire Series 801	CM	Ice Air RSEA	R35	McQuay WM	WM*
Adirondack Aire Series CH	R20	Ice Air RSK	R22	Mueller "Climatrol"	R20*
Adirondack Aire Series EA	R35	Ice Air RSK/K	R60	Nelson Aire 16	R10
Adirondack Aire Series EK	R60	Ice Air RSZ	R20	Nelson Aire 45	R10
Adirondack Aire Series RK	R22	Ice Cap RS16	R10	Remington/Singer 45	R10
Adirondack Aire Series RM	R20	Ice Cap RS45	R10	Remington/Singer EA	R35
Adirondack Aire Series WMB	WM	Ice Cap RSC	R30	Remington/Singer EK	R60
Adirondack Aire Series ZCR	R30	Ice Cap RSEA	R35	Remington/Singer ES	R35
Amana Curtain Unit	See Factory	Ice Cap RSET	R25	Remington/Singer K	R60
American Air Filter 16	R10	Ice Cap RSK	R22	Remington/Singer RS	R35
American Air Filter ENR	R10	Ice Cap RSL-LX	R12	Simon-Aire SS16	R10
American Standard 45	R10	Ice Cap RSU	R20*	Simon-Aire SS45	R10
Applied Comfort CSMB	R30	Ice Cap RSZ	R20	Simon-Aire SSEA	R35
Applied Comfort DMQ	R30	Islandaire EZ Series 16	R10	Simon-Aire SSK	R22
Applied Comfort SCEA	R20	Islandaire EZ Series 45	R10	Simon-Aire SSKK	R60
Applied Comfort SCHA	R20	Islandaire EZ Series 81	CM	Simon-Aire SSWFC	CW
Carrier 51P	R30	Islandaire EZ Series CM	R20	Simon-Aire SSZ	R20
Carrier 51PH	R30	Islandaire EZ Series CS	R30	Singer WM	WM
Carteret 45	R10	Islandaire EZ Series ED	R35	TPI Ra-Matic	R20
Climate Control WM	WM	Islandaire EZ Series ET	R25	Weather Twin RM	R20
Climate Master 702	R20	Islandaire EZ Series KF	R60	Weather Twin S	R20
Climate Master 703	R20	Islandaire EZ Series PT	R12	Weather Twin SC	R20
Climate Master 704	R20	Islandaire EZ Series RK	R22	Worthington "Climatrol"	R20*
Climate Master 800	CW	Islandaire EZ Series RM	R20	Zoneaire C	R30
Climate Master 801	CM	Islandaire EZ Series SC	R20	Zoneaire CHP	R30
Climate Master ET	R25	Islandaire EZ Series UN	R20*	Zoneaire CSM	R30
Climate Master WC	CW	Islandaire EZ Series WH	CW	Zoneaire RM	R20
Comitale National Type CA45	R10	Islandaire EZ Series WM	WM	Zoneaire SC	R20
Comitale National Type CAF16	R10	Keeprite C	R30		
Comitale National Type CEAF	R35	Keeprite CHP	R30		
Comitale National Type CEAL	R35	Lennox PTEIA	R12		
Comitale National Type CEAR	R35	McQuay EK	R60		
Comitale National Type CFOO	R20*	McQuay ES	R35		
Comitale National Type CRKO	R60	McQuay 45	R10		
Comitale National Type CRS	R35	McQuay EA	R35		
Comitale National Type CTPI	R20	McQuay K	R60		
Cool Heat RM	R20	McQuay MQA	R35		
Fedders CMEO "Unizone"	R20*	McQuay MQT	R35		
Friedrich 702	R20	McQuay PDAE	R35		
Friedrich 703	R20	McQuay PDHE	R35		
Friedrich 800	CW	McQuay PKES	R60		
Friedrich 801	CM	McQuay PKHS	R60		
Friedrich ET	R25	McQuay PMES	R35		
Friedrich WC	CW	McQuay PNES	R10		

\* Special unit configuration required

# Dual Motor PTAC Chassis R-10,12,20,22,30,35,40,41

**Position:** 1, 2, 3, 4, 5, 6, 7, 8, 9, 10, 11, 12, 13, 14, 15

**Example:** \_\_\_\_\_

**Product Series:**

- R \_\_ C - Straight Cool Unit - 10,12,20,22,30,35,40,41
- R \_\_ H - Heat Pump Unit - 10,20,22,30,35

**Cooling Capacity (Btuh):**

- 09 - 09,000 Btuh
- 12 - 12,000 Btuh
- 15 - 15,000 Btuh
- 18 - 18,000 Btuh

**Voltage Option:**

- A - 115 - 1 - 60\*
- D - 208/230 - 1 - 60
- E - 265/277 - 1 - 60 (N/A 18BTU AND models R40,R41)

**Heat Options (230 Volts):**

- 0 - No Elect Heat
- 2 - 2KW Elect Heat
- 3 - 3KW Elect Heat
- 4 - 4KW Elect Heat
- 5 - 5KW Elect Heat
- 8 - Hydronic Heat - 1 Row Hyd Coil (Factory Install R12 Only)

**Controls Options:**

- 0 - (UM) Unit Mount with Elect Heat or No Elect Heat
- 1 - (RMT) Remote Tstat with Elect Heat or No Elect Heat
- 2 - (UM) Unit Mount Hyd Heat N/O or N/C Valve (Line Volt)
- 3 - (RMT) Remote Tstat Hyd Heat N/O or N/C Valve (Line Volt)
- 4 - (UM) Unit Mount Hyd Heat N/O or N/C Valve (24 Volt)
- 5 - (RMT) Remote Tstat Hyd Heat N/O or N/C Valve (24 Volt)

**Air Options:**

- A - No Fresh Air Damper (NOT AVAIL R35,R40,R41) Bottom Air Only
- B - With Fresh Air Damper (NOT AVAIL R35,R40,R41) Bottom Air Only
- C - Front Air Intake, No Fresh Air Damper (NOT AVAIL R12,30, Optional on R10,20,22)
- D - Front Air Intake, With Fresh Air Damper (NOT AVAIL R12,30, Optional on R10,20,22)

**Design Revision:**

- B - DOE CHG
- C - 09BTU,208/230V,R10,20,22,35 ONLY

**Standard/Special:**

- 0 - Standard
- A - Z Special Option

**Compressor Code:**

- A - TECH
- L - LG
- T - TOSHIBA

**Open Options:**

- A - Standard
- C - Coated Coil
- A - Standard
- D - Fedders Unizone RPMT (R80 RPMT)

CRCN# 160141

REV G

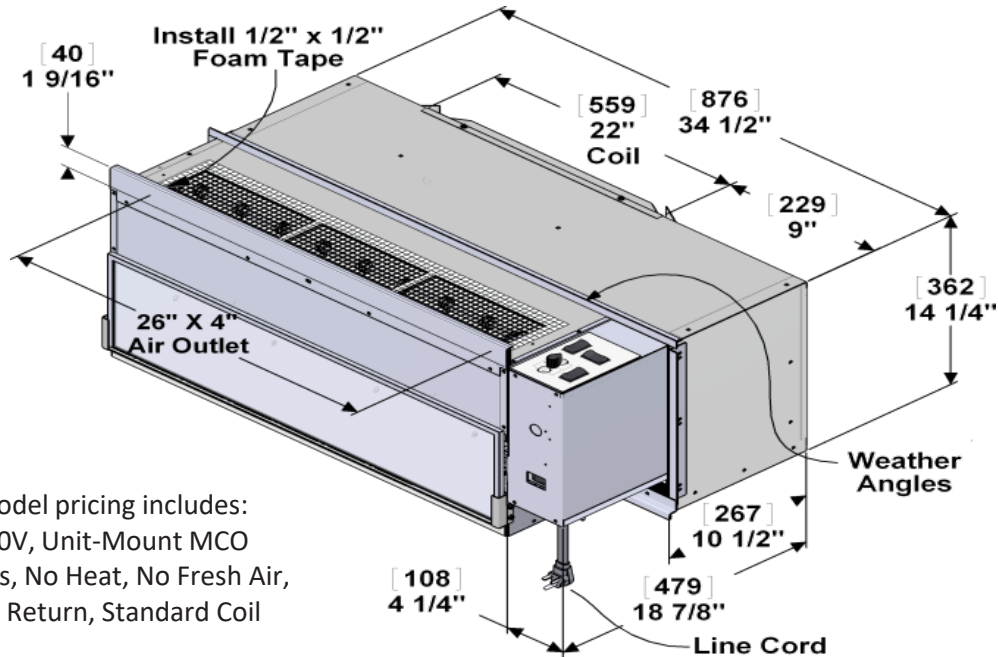
10/7/2016

\* 115V 09BTU IS OFFERED UNDER ALL S/C MODELS. 115V 12BTU ONLY OFFERED UNDER R30C & R40C

**Notes:**

R12, models available in straight cool ONLY, hydronic 18k Btuh available in straight cool ONLY, 208-230V. Not available on R12, R30 & R40 models. 115V available in 9k Btuh straight cool, w/no heat only. Electric heat output @ 230V, for 265V see IOM/Spec Sheet for output. Hydronic heat wire connections ONLY; a coil must be field-installed. 24 VAC thermostat sold separately. R35, front return only. R30 is bottom-front return, order as "Bottom." Fedders Unizone option available on R20 ONLY (formerly R80)

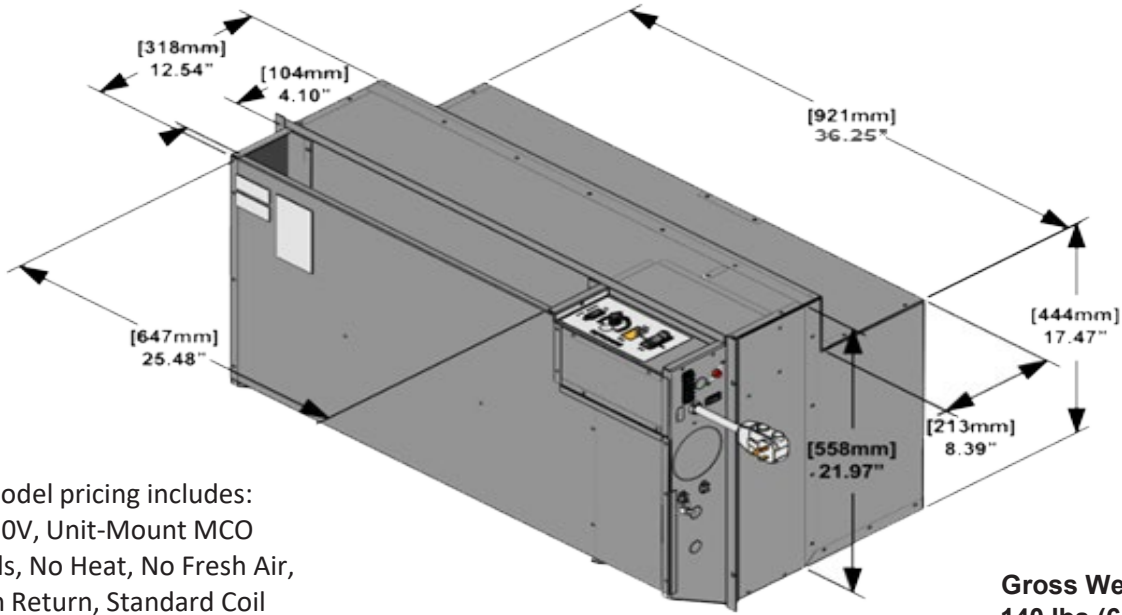
## R10C/R10H - Dual Motor Replacement PTAC/PTHP Chassis



**Gross Weight**  
140 lbs (64kg)

Item Number	Description	Trade Price
R10C09	Straight Cool - 9,000 btu	\$2,775
R10C12	Straight Cool - 12,000 btu	\$2,850
R10C15	Straight Cool - 15,000 btu	\$2,900
R10C18	Straight Cool - 18,000 btu	\$3,100
R10H09	Heat Pumps - 9,000 btu	\$3,300
R10H12	Heat Pumps - 12,000 btu	\$3,400
R10H15	Heat Pumps - 15,000 btu	\$3,500
<b>Factory Installed Options</b>		<b>Adder</b>
	115V/1/60Hz (Only available on 9,000 btu)	\$0
	265-277V/1/60Hz (Not available for 18,000 btu)	\$50
	2-5kW Elec Heat	\$125
	Line/24V Hyd Heat Wiring	\$80
	24V Remote Stat Config	\$0
	Fresh Air Damper	\$100
	Front Return/Intake Air	\$50
	Coated Coil	Consult Factory
<b>Field-Installed Accessories</b>		
Item Number	Description	Trade Price
550000168	Hydronic Coil, R10, Single Row, with Mounting Cradle	\$618
550000190	Wall Sleeve & Cabinet Kit, R10, Single Piece, No/Elec Heat	Consult Factory
550001170	Wall Sleeve & Cabinet Kit, R10, Single Piece, Hydronic Heat	Consult Factory
109001203BH	No/Elec Heat Front Return Panel	Consult Factory
109010094BH	Hydronci Heat Louvered Front Return Panel	Consult Factory
109004696BH	Hydronic Heat Front Solid Return Panel	Consult Factory
550003500	Hydronic Heat Front Air Kit	Consult Factory
240008208	Programmable Thermostat HT/CL,1 STAGE	\$86
240008210	Programmable Thermostat DGTL,HT/CL,ACO	\$156
240010667	Wireless Programmable Thermostat HT-2/CL-1	\$433

## R12C - Dual Motor Replacement PTAC/PTHP Chassis



Base model pricing includes:  
 208/230V, Unit-Mount MCO  
 Controls, No Heat, No Fresh Air,  
 Bottom Return, Standard Coil

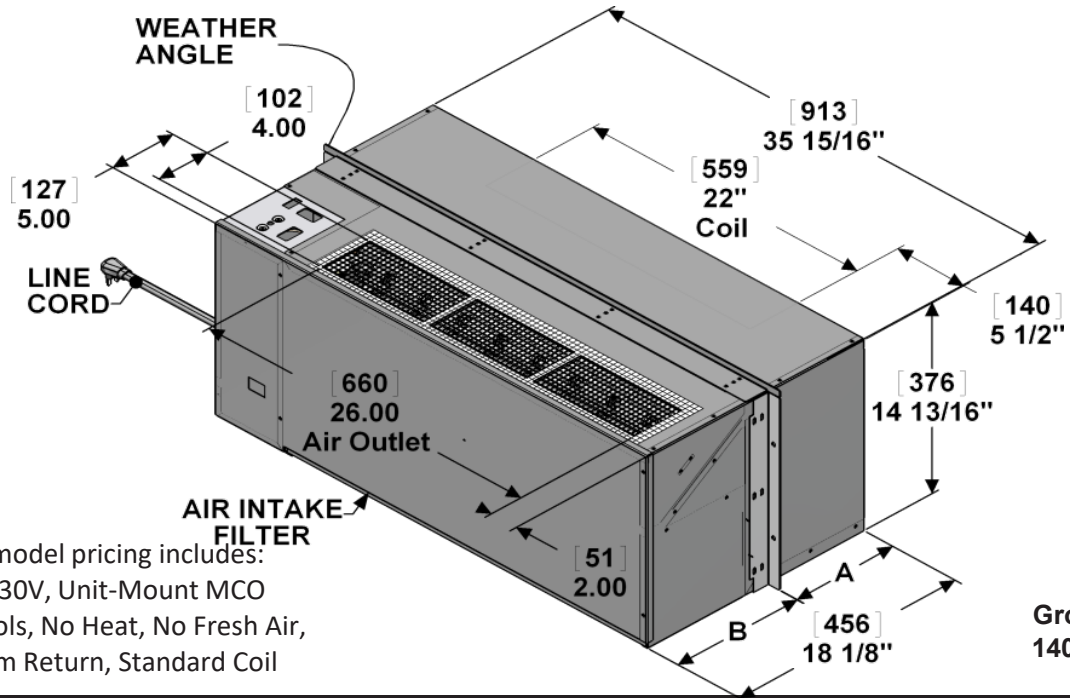
**Gross Weight**  
**140 lbs (64kg)**

Item Number	Description	Trade Price
R12C12	Straight Cool - 12,000 btu	\$3,200
R12C15	Straight Cool - 15,000 btu	\$3,300
<b>Factory Installed Options</b>		<b>Adder</b>
	265-277V/1/60Hz	\$0
	2-5kW Elec Heat	\$125
	Line/24V Hyd Heat Wiring	Consult Factory
	24V Remote Stat Config	\$0
	Fresh Air Damper	\$100
	Coated Coil	Consult Factory
<b>Field-Installed Accessories</b>		
Item Number	Description	Trade Price
550001539	Hydronic Coil Kit, R20, Single Row, w/ Cradle, LH Piping	Consult Factory
550001541	Hydronic Coil Kit, R20, Single Row, w/ Cradle, RH Piping	Consult Factory
550001292	Wall Sleeve Kit, w/ Architectural Aluminum OD Louver, R20, 10"D	Consult Factory
550001293	Wall Sleeve Kit, w/ Architectural Aluminum OD Louver, R20, 12"D	Consult Factory
550001294	Wall Sleeve Kit, w/ Architectural Aluminum OD Louver, R20, 14"D	Consult Factory
550001295	Wall Sleeve Kit, w/ Architectural Aluminum OD Louver, R20, 16"D	Consult Factory
550001296	Wall Sleeve Kit, w/ Architectural Aluminum OD Louver, R20, 18"D	Consult Factory
550001165	Cabinet Kit, Cab Assy, w/ Aluminum Discharge Air Louver & Kick-plate	Consult Factory
240008208	Programmable Thermostat HT/CL,1 STAGE	\$86
240008210	Programmable Thermostat DGTL,HT/CL,ACO	\$156
240010667	Wireless Programmable Thermostat HT-2/CL-1	\$433

**[Special Cabinets Available Upon Request]**



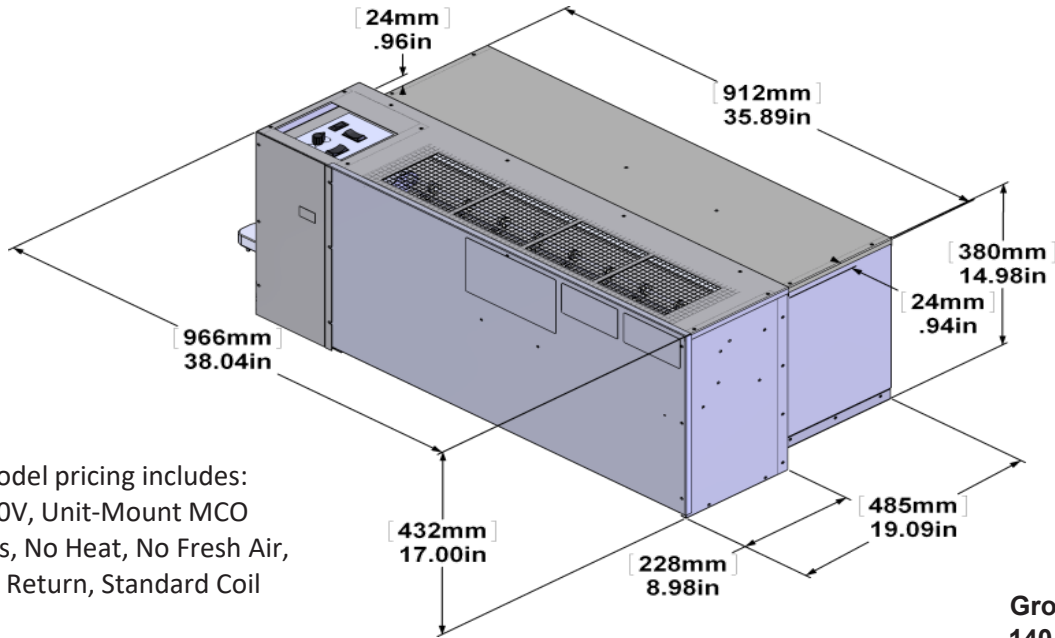
## R20C/R20H - Dual Motor Replacement PTAC/PTHP Chassis



Item Number	Description	Trade Price
R20C09	Straight Cool - 9,000 btu	\$2,875
R20C12	Straight Cool - 12,000 btu	\$2,950
R20C15	Straight Cool - 15,000 btu	\$3,000
R20C18	Straight Cool - 18,000 btu	\$3,200
R20H09	Heat Pumps - 9,000 btu	\$3,400
R20H12	Heat Pumps - 12,000 btu	\$3,500
R20H15	Heat Pumps - 15,000 btu	\$3,550
<b>Factory Installed Options</b>		<b>Adder</b>
	115V/1/60Hz (Only avail. on 9,000 btu)	\$0
	265-277V/1/60Hz	\$60
	2-5kW Elec Heat	\$125
	Hydronic Heat Wiring	\$80
	24V Remote Stat Config	\$0
	Fresh Air Damper	\$100
	Front Return/Intake Air	\$0
	Fedders CME0 "Unizone" (Replaces R80)	\$125
	Coated Coil	Consult Factory
<b>Field-Installed Accessories</b>		
Item Number	Description	Trade Price
550001539	Hydronic Coil Kit, R20, Single Row, w/ Cradle, LH Piping	Consult Factory
550001541	Hydronic Coil Kit, R20, Single Row, w/ Cradle, RH Piping	Consult Factory
550001292	Wall Sleeve Kit, w/ Architectural Aluminum OD Louver, R20, 10"D	Consult Factory
550001293	Wall Sleeve Kit, w/ Architectural Aluminum OD Louver, R20, 12"D	Consult Factory
550001294	Wall Sleeve Kit, w/ Architectural Aluminum OD Louver, R20, 14"D	Consult Factory
550001295	Wall Sleeve Kit, w/ Architectural Aluminum OD Louver, R20, 16"D	Consult Factory
550001296	Wall Sleeve Kit, w/ Architectural Aluminum OD Louver, R20, 18"D	Consult Factory
550001165	Cabinet Kit, Cab Assy, w/ Aluminum Discharge Air Louver & Kick-plate	Consult Factory
240008208	Programmable Thermostat HT/CL,1 STAGE	\$86
240008210	Programmable Thermostat DGTL,HT/CL,ACO	\$156
240010667	Wireless Programmable Thermostat HT-2/CL-1	\$433

**[Special Cabinets Available Upon Request]**

# R22C/R22H - Dual Motor Replacement PTAC/PTHP Chassis



Base model pricing includes:  
 208/230V, Unit-Mount MCO  
 Controls, No Heat, No Fresh Air,  
 Bottom Return, Standard Coil

**Gross Weight**  
 140 lbs (64kg)

Item Number	Description	Trade Price
R22C09	Straight Cool - 9,000 btu	\$2,925
R22C12	Straight Cool - 12,000 btu	\$3,025
R22C15	Straight Cool - 15,000 btu	\$3,075
R22C18	Straight Cool - 18,000 btu	\$3,250
R22H09	Heat Pumps - 9,000 btu	\$3,450
R22H12	Heat Pumps - 12,000 btu	\$3,500
R22H15	Heat Pumps - 15,000 btu	\$3,550
<b>Factory Installed Options</b>		<b>Adder</b>
	115V/1/60Hz (Only avail. on 9,000 btu)	\$0
	265-277V/1/60Hz	\$60
	2-5kW Elec Heat	\$125
	Hydronic Heat Wiring	\$80
	24V Remote Stat Config	\$0
	Fresh Air Damper	\$100
	Front Return/Intake Air	\$40
	Coated Coil	Consult Factory
<b>Field-Installed Accessories</b>		
Item Number	Description	Trade Price
550001213	Hydronic Coil Kit, R22, Single Row, w/ Cradle, Water/Steam	Consult Factory
550001238	Wall Sleeve Kit, w/ Architectural Aluminum OD Louver, R22, 10"D	Consult Factory
550001212	Wall Sleeve Kit, w/ Architectural Aluminum OD Louver, R22, 12"D	Consult Factory
550001239	Wall Sleeve Kit, w/ Architectural Aluminum OD Louver, R22, 14"D	Consult Factory
550001240	Wall Sleeve Kit, w/ Architectural Aluminum OD Louver, R22, 16"D	Consult Factory
550001313	Wall Sleeve Kit, w/ Architectural Aluminum OD Louver, R22, 18"D	Consult Factory
550001211	Cabinet Kit, Cab Front & Wrap, w/ Aluminum Discharge Air Louver	Consult Factory
240008208	Programmable Thermostat HT/CL,1 STAGE	\$86
240008210	Programmable Thermostat DGTL,HT/CL,ACO	\$156
240010667	Wireless Programmable Thermostat HT-2/CL-1	\$433

# Single Motor PTAC Chassis R-25

**Position:** 1, 2, 3, 4,  
**Example:** 5, 6,

7  
 8  
 9  
 10  
 11  
 12  
 13  
 14  
 15

**Product Series:**

- R \_\_ C - Straight Cool Unit
- R \_\_ H - Heat Pump Unit

**Cooling Capacity (Btuh):**

- 09 - 09,000 Btuh
- 12 - 12,000 Btuh
- 15 - 15,000 Btuh

**Voltage Option:**

- D - 208/230 - 1 - 60
- E - 265/277 - 1 - 60

**Heat Options (230 Volts):**

- 0 - No Elect Heat
- 2 - 2KW Elect Heat
- 3 - 3KW Elect Heat
- 4 - 4KW Elect Heat
- 5 - 5KW Elect Heat

**Controls Options:**

- 0 - (UM) Unit Mount with Elect Heat or No Elect Heat
- 1 - (RMT) Remote Tstat with Elect Heat or No Elect Heat

**Design Revision:**

- A - Revision Level
- B - New DOE Model

**Standard/Special:**

- 0 - Standard
- A - Z Special Option

**Compressor Code:**

- A - TECH
- L - LG
- T - TOSHIBA

**Open Options:**

- A - Standard
- C - Coated Coil

**Open Options:**

- A - Standard

**Air Options:**

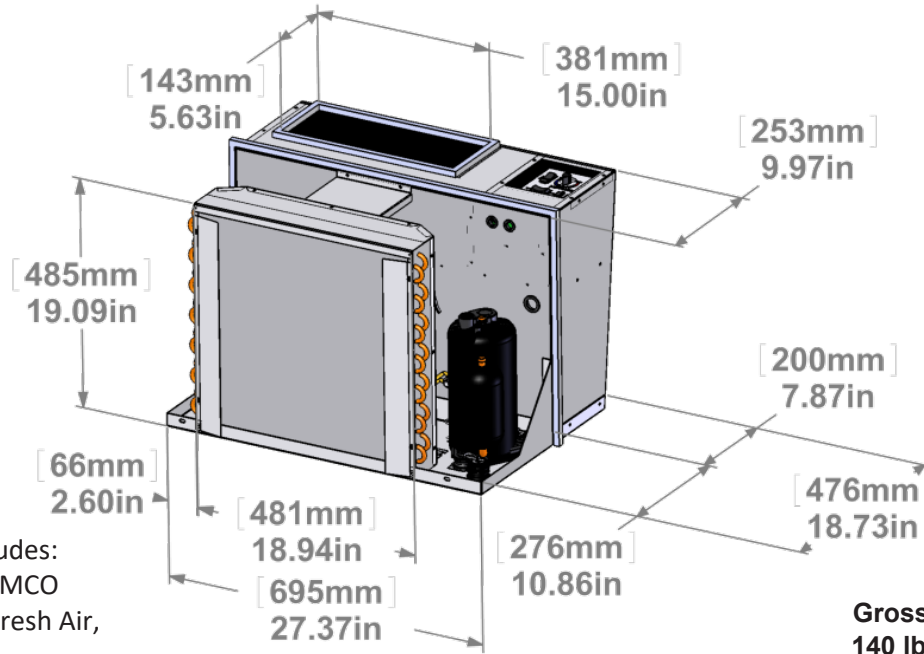
- A - No Fresh Air Damper
- B - With Fresh Air Damper

CRCN# 140130

REV B

7/31/2014

## R25C/R25H - Single & Dual Motor Replacement PTAC/PTHP Chassis

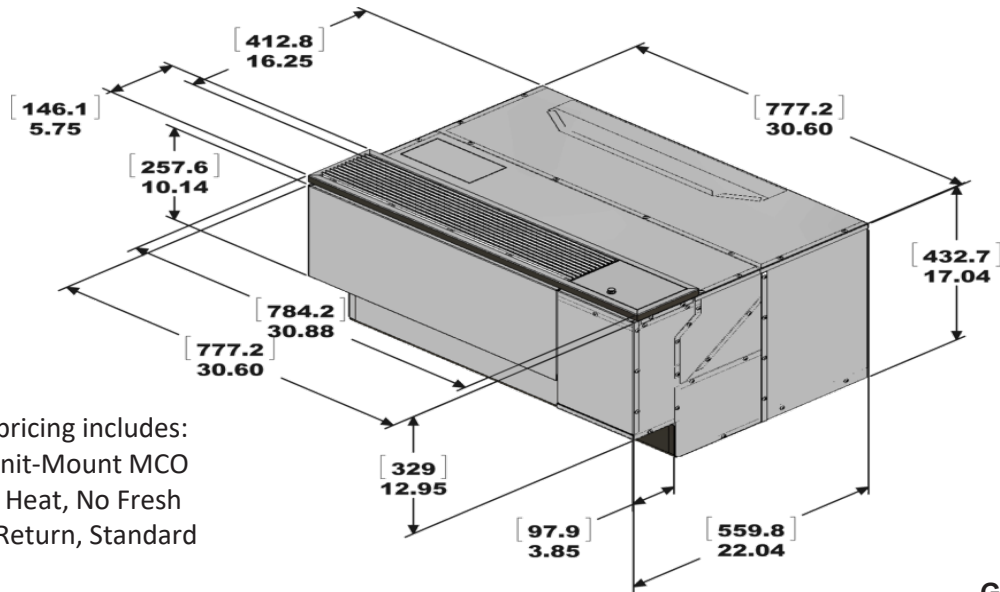


Base model pricing includes:  
208/230V, Unit-Mount MCO  
Controls, No Heat, No Fresh Air,

**Gross Weight**  
**140 lbs (64kg)**

Item Number	Description	Trade Price
R25C09	Straight Cool - 9,000 btu	\$3,250
R25C12	Straight Cool - 12,000 btu	\$3,275
R25C15	Straight Cool - 15,000 btu	\$3,350
R25H09	Heat Pumps - 9,000 btu	\$3,625
R25H12	Heat Pumps - 12,000 btu	\$3,675
R25H15	Heat Pumps - 15,000 btu	\$3,775
<b>Factory Installed Options</b>		<b>Adder</b>
	265-277V/1/60Hz	\$75
	2-5kW Elec Heat	\$125
	24V Remote Stat Config	\$0
	Fresh Air Damper	\$100
	Coated Coil	Consult Factory
<b>Field-Installed Accessories</b>		
Item Number	Description	Trade Price
550000197	Cabinet Kit: Wall Sleeve, Cabinet w/ 6" Front, Aluminum OD Louver, R30	Consult Factory
109000892	Kit, Extension, Wall Sleeve, 2"D, R30 (Req'd for existing 13"D sleeve)	Consult Factory
550000125	Kit, Cabinet Front, R30, 4"D	Consult Factory
550000088	Kit, Cabinet Front, R30, 6"D (Req'd for existing 13"&15"D sleeves)	Consult Factory

## R30C/R30H - Single & Dual Motor Replacement PTAC/PTHP Chassis

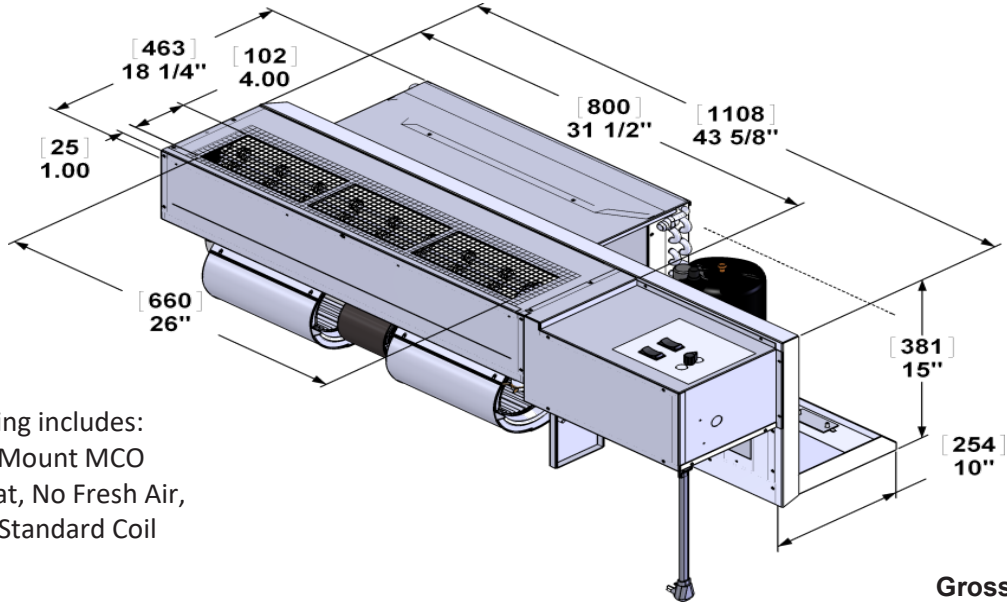


Base model pricing includes:  
 208/230V, Unit-Mount MCO  
 Controls, No Heat, No Fresh  
 Air, Bottom Return, Standard  
 Coil

**Gross Weight**  
**140 lbs (64kg)**

Item Number	Description	Trade Price
R30C09	Straight Cool - 9,000 btu	\$3,175
R30C12	Straight Cool - 12,000 btu	\$3,225
R30C15	Straight Cool - 15,000 btu	\$3,350
R30H09	Heat Pumps - 9,000 btu	\$3,350
R30H12	Heat Pumps - 12,000 btu	\$3,400
R30H15	Heat Pumps - 15,000 btu	\$3,575
<b>Factory Installed Options</b>		<b>Adder</b>
	115V/1/60Hz	\$0
	265-277V/1/60Hz	\$80
	2-5kW Elec Heat	\$130
	Line/24V Hyd Heat Wiring	\$60
	24V Remote Stat Config	\$0
	Fresh Air Damper	\$100
	Coated Coil	Consult Factory
<b>Field-Installed Accessories</b>		
Item Number	Description	Trade Price
550000197	Cabinet Kit: Wall Sleeve, Cabinet w/ 6" Front, Aluminum OD Louver, R30	Consult Factory
109000892	Kit, Extension, Wall Sleeve, 2"D, R30 (Req'd for existing 13"D sleeve)	Consult Factory
550000125	Kit, Cabinet Front, R30, 4"D	Consult Factory
550000088	Kit, Cabinet Front, R30, 6"D (Req'd for existing 13"&15"D sleeves)	Consult Factory

# R35C/R35H - Single & Dual Motor Replacement PTAC/PTHP Chassis



Base model pricing includes:  
 208/230V, Unit-Mount MCO  
 Controls, No Heat, No Fresh Air,  
 Bottom Return, Standard Coil

**Gross Weight**  
**140 lbs (64kg)**

Item Number	Description	Trade Price
R35C09	Straight Cool - 9,000 btu	\$2,825
R35C12	Straight Cool - 12,000 btu	\$2,875
R35C15	Straight Cool - 15,000 btu	\$2,925
R35C15	Straight Cool - 18,000 btu	\$3,150
R35H09	Heat Pumps - 9,000 btu	\$3,350
R35H12	Heat Pumps - 12,000 btu	\$3,425
R35H15	Heat Pumps - 15,000 btu	\$3,550
<b>Factory Installed Options</b>		<b>Adder</b>
	115V/1/60Hz	\$25
	265-277V/1/60Hz	\$80
	2-5kW Elec Heat	\$125
	Line/24V Hyd Heat Wiring	\$80
	24V Remote Stat Config	\$0
	Fresh Air Damper	\$100
	Coated Outdoor Coil	\$300
<b>Field-Installed Accessories</b>		
Item Number	Description	Trade Price
104000130	Hydronic Coil, R35, 1-Row, Water	Consult Factory
104000305	Hydronic Coil, R35, 2-Row, Water	Consult Factory
550001304	Wall Sleeve & Cabinet Kit, R35, Single Piece	Consult Factory
550001298	Kit, Cabinet, Front, R35	Consult Factory

# Water Source Units CM, CW, WM

<b>Position:</b>	1,	2,	3,	4,	5,	6,	7,	8,	9,	10,	11,	12,	13,	14,	15
<b>Example:</b>															

**Product Series:**  
 CM Series  
 CW Series  
 WM Series

**Straight Cool or Heat Pump:**  
 H - Heat Pump Unit

**Refrigerant:**  
 G - 410A

**Cooling Capacity (Btuh):**  
 08 - 08,000 Btuh (CM Series Only)  
 09 - 09,000 Btuh (WM Series Only)  
 10 - 10,000 Btuh (CW Series Only)  
 12 - 12,000 Btuh (CM and WM Series Only)  
 13 - 13,000 Btuh (CW Series Only)

**Voltage Option:**  
 A - 115 - 1 - 60  
 D - 208/230 - 1 - 60  
 E - 265/277 - 1 - 60

**Heat Options (230 Volts):**  
 0 - No Elect Heat  
 2 - 2KW Elect Heat (CM 08,CW 10,WM 09 Only)  
 3 - 3KW Elect Heat (CM 08,CW 10,WM 09 Only)  
 4 - 4KW Elect Heat (CM 08,CW 10 Only)  
 5 - 5KW Elect Heat (CM 08,CW 10 Only)

**Controls Options:**

- 0 - Unit Mount MCO
- 1 - Unit Mount MCO Boilerless (Heat Pump with Elect Heat Only)
- 2 - Unit Mount MCO with Disconnect Sw.
- 3 - Unit Mount MCO Boilerless (Heat Pump with Elect Heat Only) and Disconnect Sw.
- 4 - Unit Mount ACO
- 5 - Unit Mount ACO Boilerless (Heat Pump with Elect Heat Only)
- 6 - Unit Mount ACO with Disconnect Sw.
- 7 - Unit Mount ACO Boilerless (Heat Pump with Elect Heat Only) and Disconnect Sw.
- A - Remote
- B - Remote Master/Slave
- C - Remote with Disconnect Sw.
- D - Remote Master/Slave with Disconnect Sw.
- E - Remote Boilerless (Heat Pump with Elect Heat Only)
- F - Remote Master/Slave Boilerless (Heat Pump with Elect Heat Only)
- G - Remote with Boilerless (Heat Pump with Elect Heat Only) and Disconnect Sw.
- H - Remote Master/Slave with Boilerless (Heat Pump with Elect Heat Only) and Disconnect Sw.

**Design Revision:**  
 A - Revision Level - OBS 9/19/12  
 B - Revision Level - OBS 12/31/13  
 C - Revision Level - 08, 09, 10 BTU Only 10/07/15  
 D - Revision Level - 12, 13 BTU Only 10/07/15

**Standard/Special:**  
 0 - Standard  
 A - Z Special Option

**Compressor Code:**  
 A - TECH  
 L - LG  
 T - TOSH

**Pipe Connections Options:**  
 0 - Sweat Connection  
 1 - Female Pipe Thread  
 2 - Male Pipe Thread  
 3 - Ball Valve & Union  
 4 - Sweat Connection with Cupronickel Water Coil  
 5 - Female Pipe Thread with Cupronickel Water Coil  
 6 - Male Pipe Thread with Cupronickel Water Coil  
 7 - Ball Valve & Union with Cupronickel Water Coil

**Cabinet Options:**  
 A - No Cabinet  
 B - With Cabinet (CW Series Only)  
 C - Cabinet with Locking Door (CW Series Only)  
 D - Front Air Intake (CW Series Only)

**Piping Options:**

- L - Left Hand Piping
- R - Right Hand Piping
- M - Left Mono Flow Piping
- N - Right Mono Flow Piping

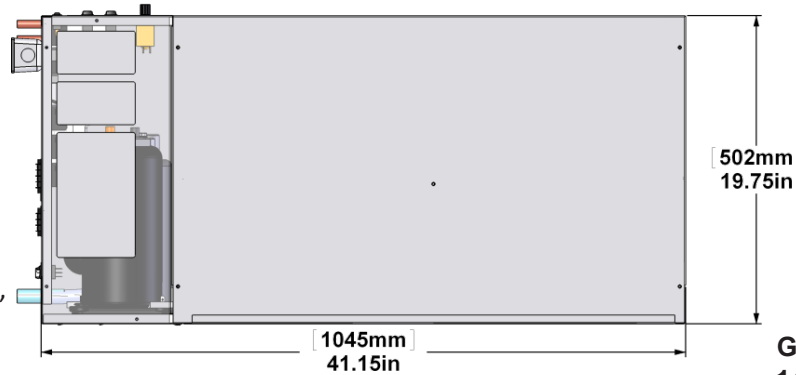
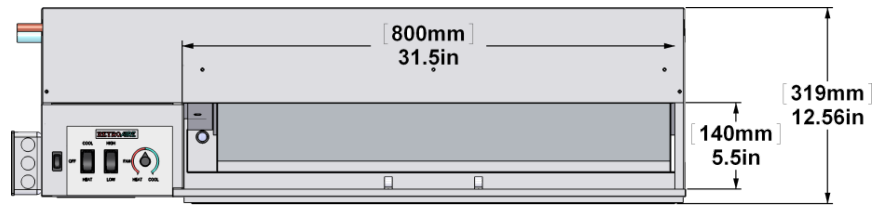
CRCN# 180015  
 REV E  
 1/17/2018

**Notes:**

Electric heat is only available on 08k/09k/10k Btuh capacities  
 Electric heat output @ 230V, WM has 0-3kW options only  
 See IOM/Spec Sheet for 265V electric heat availability

24VAC remote thermostat sold separately  
 Cabinets are available with the CW, CM and now WM Series  
 Front Return/Intake Air only available w/ CW & CM Series

## CMH - Water Source Heat Pump Console Chassis



**Gross Weight  
140 lbs (64kg)**

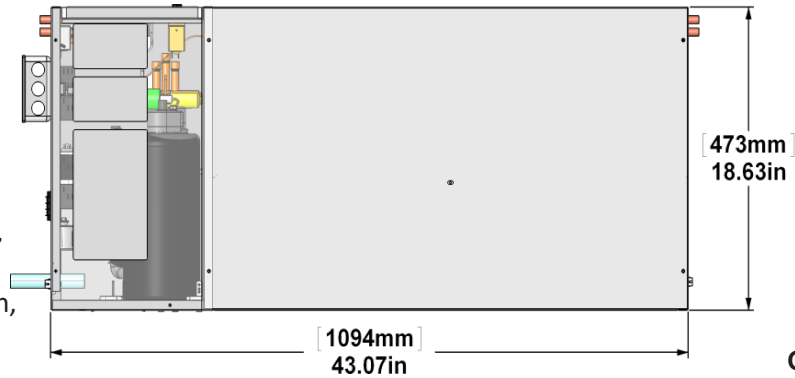
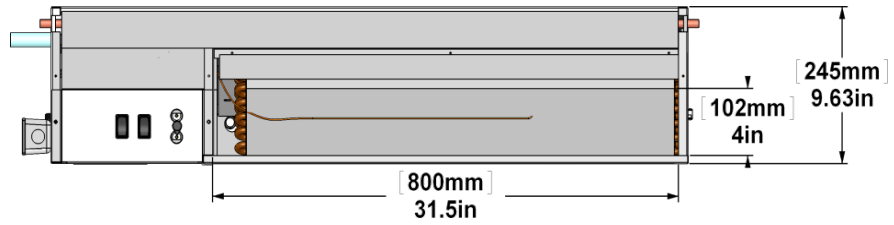
Base model pricing includes:  
208/230V, Unit-Mount MCO,  
No Heat, Left Hand Piping,  
Sweat Conns., Bottom Return,  
Standard Coil

Item Number	Description	Trade Price
CMHG08	Water Souce Heat Pump Console Chassis - 8,000 btu	\$3,550
CMHG12	Water Souce Heat Pump Console Chassis - 12,000 btu	\$3,650
<b>Factory Installed Options</b>		<b>Adder</b>
	115V/1/60Hz	Consult Factory
	265-277V/1/60Hz	\$200
	2-5kW Elec Heat (Requires Boilerless Controls & 8-10k Btuh Capacities Only)	\$160
	Unit-Mount ACO	\$125
	24V Remote Stat Config	\$10
	Master/Slave Config	\$50
	Right Hand Piping	\$30
	LH Monoflow Piping	\$15
	RH Monoflow Piping	\$20
	Female Pipe Thread	\$20
	Male Pipe Thread	\$40
	Ball Valve & Union	\$60
	CuNi Water-Refrigerant Coil	\$150
	Front Return/Intake Air	\$450
	Disconnect Switch	\$50
	Boilerless Controls	\$100
<b>Field-Installed Accessories</b>		
Item Number	Description	Trade Price
550002971	Cabinet Kit, Left Hand Piping	Consult Factory
550002972	Cabinet Kit, Right Hand Piping	Consult Factory

[Consult Factory for Cabinet Quantity Discounts]



## CWH - Water Source Heat Pump Console Chassis



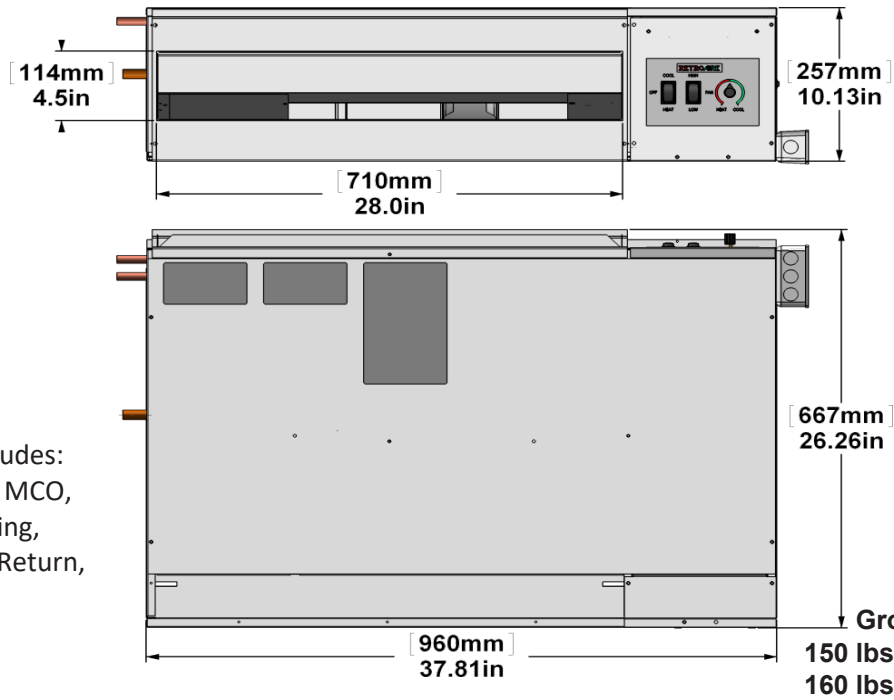
Base model pricing includes:  
 208/230V, Unit-Mount MCO,  
 No Heat, Left Hand Piping,  
 Sweat Conns., Bottom Return,  
 Standard Coil

**Gross Weight**  
**160 lbs (CWHG10)**  
**165 lbs (CWHG13)**

Item Number	Description	Trade Price
CWHG10	Water Souce Heat Pump Console Chassis - 8,000 btu	\$3,050
CWHG13	Water Souce Heat Pump Console Chassis - 12,000 btu	\$3,275
<b>Factory Installed Options</b>		<b>Adder</b>
	115V/1/60Hz	\$60
	265-277V/1/60Hz	\$75
	2-5kW Elec Heat (Requires Boilerless Controls & 8-10k Btuh Capacities Only)	\$160
	Unit-Mount ACO	\$140
	24V Remote Stat Config	\$0
	Master/Slave Config	\$50
	Right Hand Piping	\$35
	LH Monoflow Piping	\$15
	RH Monoflow Piping	\$20
	Female Pipe Thread	\$20
	Male Pipe Thread	\$40
	Ball Valve & Union	\$60
	CuNi Water-Refrig Coil	\$150
	Front Return/Intake Air	\$70
	Disconnect Switch	\$50
	Boilerless Controls	\$100
<b>Field-Installed Accessories</b>		
Item Number	Description	Trade Price
550000199	Cabinet Kit, Left Hand Piping, 48"	Consult Factory
550000200	Cabinet Kit, Right Hand Piping, 48"	Consult Factory
550003583	20-Degree Slope Top, Left	Consult Factory
550003649	20-Degree Slope Top, Right	Consult Factory

[Consult Factory for Cabinet Quantity Discounts]

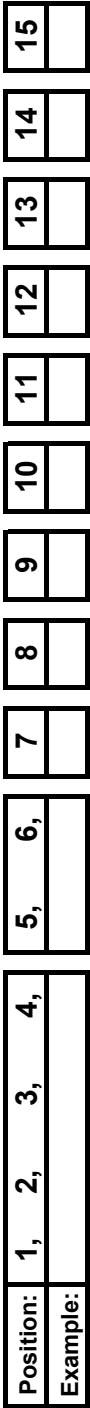
## WMH - Water Source Heat Pump Console Chassis



Base model pricing includes:  
208/230V, Unit-Mount MCO,  
No Heat, Left Hand Piping,  
Sweat Conns., Bottom Return,  
Standard Coil

Item Number	Description	Trade Price
WMHG09	Water Souce Heat Pump Console Chassis - 9,000 btu	\$3,050
WMHG12	Water Souce Heat Pump Console Chassis - 12,000 btu	\$3,275
<b>Factory Installed Options</b>		<b>Adder</b>
	115V/1/60Hz	\$0
	265-277V/1/60Hz	\$40
	2-5kW Elec Heat (Requires Boilerless Controls 9 & 12k Btuh Capacities)	\$250
	Unit-Mount ACO	\$125
	24V Remote Stat Config	\$0
	Master/Slave Config	\$60
	Right Hand Piping	\$0
	LH Monoflow Piping	\$30
	RH Monoflow Piping	\$40
	Female Pipe Thread	\$20
	Male Pipe Thread	\$40
	Ball Valve & Union	\$60
	CuNi Water-Refrig Coil	\$150
	Disconnect Switch	\$50
	Boilerless Controls	\$100
<b>Field-Installed Accessories</b>		
Item Number	Description	Trade Price
240008208	Thermostat, Single-Stage, 1-Heat/1-Cool, 24vac, Programmable, MCO	\$86
240008210	Thermostat, Single-Stage, 1-Heat/1-Cool, 24vac, Programmable, ACO	\$156
240010667	Wireless Programmable Thermostat HT-2/CL-1	\$433
107000001	Isolation Valve, 1/2" Sweat	\$20

# Modular PTAC Chassis - 60



**Product Series:**

- R\_\_ C - Straight Cool Unit
- R\_\_ H - Heat Pump Unit

**Cooling Capacity (Btuh):**

- 09 - 09,000 Btuh
- 12 - 12,000 Btuh
- 15 - 15,000 Btuh
- 18 - 18,000 Btuh (Straight Cool ONLY)

**Voltage Option:**

- A - 115 - 1 - 60
- D - 208/230 - 1 - 60
- E - 265/277 - 1 - 60 TBD

**Heat Options (230 Volts):**

- 0 - No Elect Heat
- 2 - 2KW Elect Heat
- 3 - 3KW Elect Heat
- 4 - 4KW Elect Heat
- 5 - 5KW Elect Heat
- 6 - Hydronic Heat - 1 ROW STEAM COIL (Factory Install 60 Only)
- 7 - Reserved
- 8 - Hydronic Heat - 1 ROW HYD COIL (Factory Install 60 Only)
- 9 - Hydronic Heat - 2 ROW HYD COIL (Factory Install 60 Only)

**Controls Options:**

- 0 - (UM) Unit Mount with Elect Heat or No Elect Heat \*\*
- 1 - (RMT) Remote Tstat with Elect Heat or No Elect Heat \*\*
- 2 - (UM) Unit Mount Hyd Heat N/O or N/C Valve (Line Volt)
- 3 - (RMT) Remote Tstat Hyd Heat N/O or N/C Valve (Line Volt)
- 4 - (UM) Unit Mount Hyd Heat N/O or N/C Valve (24 Volt)
- 5 - (RMT) Remote Tstat Hyd Heat N/O or N/C Valve (24 Volt)

**Design Revision:**

- A - Revision Level - OBS 2014
- B - REV B CRCN "2014"

**Standard/Special:**

- O - Standard
- A - Z Special Option

**Compressor Code:**

- A - TECH
- L - LG
- T - TOSHIBA

**Condenser Coil/Hydronic Options:**

- A - Standard
- B - LT Supply/LT Return - STEAM or HYD (R60 ONLY)
- C - LT Supply/RT Return - STEAM OR HYD or RT Supply/LT Return - HYD Only (R60 Only)
- D - RT Supply/RT Return - STEAM or HYD (R60 ONLY)
- E - RT Supply/LT Return (STEAM R60 Only)
- F - LT Supply/LT Return and Coated Coil (R60 ONLY)
- G - LT Supply/RT Return - STEAM OR HYD or RT Supply/LT Return - HYD Only and Coated Coil (R60 Only)
- H - RT Supply/RT Return and Coated Coil (R60 ONLY)
- J - No Heat or with Elect Heat and Coated Coil
- K - RT Supply/LT Return - STEAM and Coated Coil (R60 ONLY)

**Replacement Options:**

- A - Standard or ("A" Series R/C90)
- B - ("B" Series R/C90) (Flat Top R/B/C-60)
- C - ("C" Series R/C90) or (Slope Top R/B/C-60)

**Air Options:**

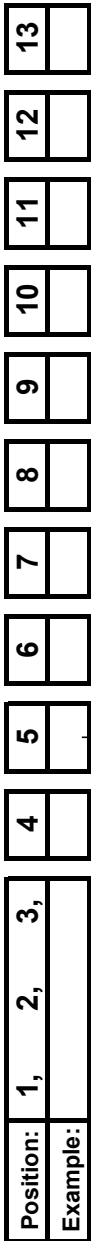
- A - No Fresh Air Damper
- B - With Fresh Air Damper

CRCN# 150164
REV C
9/11/2015

**Notes:**

18 Btuh available in Straight Cool Only, 208-230V  
 Electric Heat Output @ 230V, for 265V see IOM/Spec Sheet for Output  
 24VAC Remote Thermostat sold separately

# Blower/Control Section Modular PTAC-60



**Product Series:** \_\_\_\_\_  
 B or C \_\_\_ "B" for Blower Section  
 "C" for Control Section

**Straight Cool or Heat Pump:**  
 C - Straight Cool Control Box  
 H - Heat Pump Control Box  
 U - Blower Section Only

**Voltage Option:**  
 A - 115 - 1 - 60  
 D - 208/230 - 1 - 60  
 E - 265/277 - 1 - 60

**Heat Options (230 Volts):**  
 0 - No Elect Heat  
 2 - 2KW Elect Heat  
 3 - 3KW Elect Heat  
 4 - 4KW Elect Heat  
 5 - 5KW Elect Heat  
 6 - Hydronic Heat - 1 ROW STEAM COIL  
 7 - Hydronic Heat - **RESERVED**  
 8 - Hydronic Heat - 1 ROW HYD COIL  
 9 - Hydronic Heat - 2 ROW HYD COIL  
 A - Control Box Model Only

**Replacement Options:**  
 B - Flat Top R/B/C-60  
 C - Slope Top R/B/C60

**Air Options:**  
 A - No Fresh Air Damper (C\_\_\_ Only)  
 B - With Fresh Air Damper (C\_\_\_ Only)  
 U - Blower Section Only

**Controls Options:**  
 0 - (UM) Unit Mount with Elect Heat or No Elect Heat (C\_\_\_ Only)  
 1 - (RMT) Remote T stat with Elect Heat or No Elect Heat (C\_\_\_ Only)  
 2 - (UM) Unit Mount Hyd Heat N/O or N/C Valve (Line Volt) (C\_\_\_ Only)  
 3 - (RMT) Remote T stat Hyd Heat N/O or N/C Valve (Line Volt) (C\_\_\_ Only)  
 4 - (UM) Unit Mount Hyd Heat N/O or N/C Valve (24 Volt) (C\_\_\_ Only)  
 5 - (RMT) Remote T stat Hyd Heat N/O or N/C Valve (24 Volt) (C\_\_\_ Only)  
 A - Blower Section Only

**\*NO BC SECTION FOR THE 41**

**Design Revision:**  
 A - Revision Level  
 B - CRCN "B" MODELS

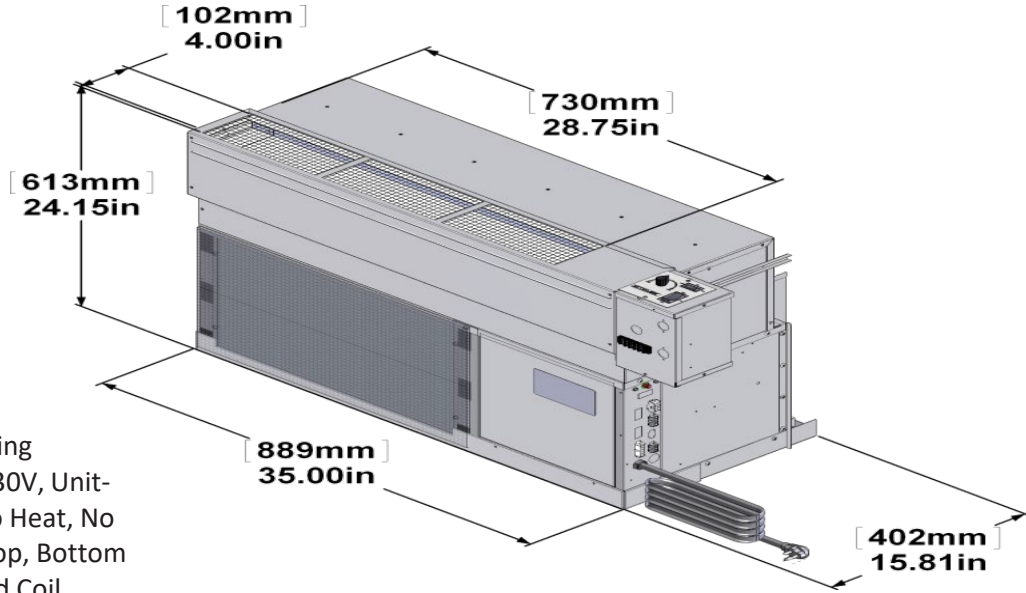
**Standard/Special:**  
 0 - Standard  
 A - Z Special Option

**Open Options:**  
 A - Standard

**Hydronic Options:**  
 A - Standard  
 B - LT Supply/LT Return - STEAM or HYD  
 C - LT Supply/RT Return - STEAM OR HYD or RT Supply/LT Return - HYD Only  
 D - RT Supply/RT Return - STEAM or HYD  
 E - RT Supply/LT Return (B60 STEAM Only)

CRCN# 150164  
 REV C  
 9/11/2015

# R60C/R60H Modular / Incremental Replacement PTAC/PTHP System



Base model pricing includes: 208/230V, Unit-Mount MCO, No Heat, No Fresh Air, Flat Top, Bottom Return, Standard Coil,

**Gross Weight**  
140 lbs (64kg)

Item Number	Description	Trade Price
R60C09	Straight Cool - 9,000 btu	\$4,350
R60C12	Straight Cool - 12,000 btu	\$4,450
R60C15	Straight Cool - 15,000 btu	\$4,700
R60C18	Straight Cool - 18,000 btu	\$4,950
R60H09	Heat Pumps - 9,000 btu	\$4,475
R60H12	Heat Pumps - 12,000 btu	\$4,575
R60H15	Heat Pumps - 15,000 btu	\$4,825
<b>Factory Installed Options</b>		<b>Adder</b>
	265-277V/1/60Hz	\$75
	2-5kW Elec Heat	\$150
	Steam Heat	\$200
	1-Row Water Hyd Heat	\$350
	2-Row Water Hyd Heat	\$800
	24V Remote Stat Config	\$0
	Slope Top	\$25
	Fresh Air Damper	\$100
	Coated Outdoor Coil	Consult Factory
<b>Factory-Installed Special Accessories</b>		
Item Number	Description	Trade Price
	Energy Management System Relay, Dry Contacts, ON/OFF	\$100
	Dual Voltage, Emergency Power, Unit-Mount (Specify Voltage)	\$100
<b>Field-Installed Accessories</b>		
Item Number	Description	Trade Price
550001246	Wall Sleeve Kit, w/ Architectural Aluminum OD Louver, R60, 8"D	Consult Factory
550001241	Wall Sleeve Kit, w/ Architectural Aluminum OD Louver, R60, 16"D	Consult Factory
550001248	Cabinet Kit, Assy, w/ Alum. Discharge, Louver, Front Panel, R60, 09-12, 8"	Consult Factory
550001242	Cabinet Kit, Assy, w/ Alum. Discharge, Louver, Front Panel, R60, 09-12, 16.25"	Consult Factory
550001223	Cabinet Kit, Assy, w/ Alum. Discharge Air Louver, Front Panel, 15-18, 8"	Consult Factory

[See General Accessories on the Following Page]

**General Equipment Accessories**

<b>Item Number</b>	<b>Description</b>	<b>Trade Price</b>
240008208	Thermostat, Single-Stage, 1-Heat/1-Cool, 24vac, Programmable, MCO	\$86
240008210	Thermostat, Single-Stage, 1-Heat/1-Cool, 24vac, Programmable, ACO	\$156
240010667	Wireless Programmable Thermostat HT-2/CL-1	\$433
550000383	Aquastat Kit, Hydronic Heat, Hot Water Sensor-Relay (Energizes Fan)	\$95
240003997	Valve, 2-Way, Water, NO, 24V, 1/2" Sweat	\$208
240003309	Valve, 2-Way, Water, NO, 230V, 1/2" Sweat	\$234
107000009	Valve, 2-Way, Water, NC, 24V, 1/2" Sweat	\$179
240004563	Valve, 2-Way, Water, NC, 24V, 3/4" Sweat, Cv: 3.5, Close-Off: 25 PSI	\$225
107000004	Valve, 2-Way, Water, NC, 230V, 1/2" Sweat	\$194
240002421	Valve, 3-Way, NC, 24V Actuator, 1/2" Sweat, Cv: 4.0, Close-Off: 25 PSI	\$222
240009598	Valve, 3-Way, NC, 24V Actuator, 3/4" Sweat, Cv: 7.5, Close-Off: 17 PSI	\$267
240009597	Valve, 2-Way, NC, 24V Actuator, 3/4" Sweat, Cv: 7.5, Close-Off: 17 PSI	\$250
107000001	Isolation Valve, 1/2" Sweat	\$20

**\*Not Available for R60C/R60H Model**

**EMI (COMFORTWAVE CHILLED WATER, ENVIROAIR PTAC)  
RETROAIRE (PTAC, WATER SOURCE HEAT PUMP CONSOLES)  
LIMITED WARRANTY**

Effective Date October 7, 2019

**THIS LIMITED WARRANTY GIVES THE ORIGINAL PURCHASER ONLY SPECIFIC LEGAL RIGHTS AND YOU  
MAY ALSO HAVE OTHER LEGAL RIGHTS WHICH VARY FROM STATE-TO-STATE AND PROVINCE-TO-  
PROVINCE**

Keep this warranty certificate and the installation manual supplied with your unit for future reference.

**Our Warranty**

By this warranty statement (“Limited Warranty”), ECR International, Inc. (“ECR”) issues limited warranties from the date of installation of the applicable EMI Product (“Product”) to the Original Purchaser (as defined herein), subject to the terms and conditions stated below. As used in this Limited Warranty “Original Purchaser” shall mean, the end-user that purchased the new Product directly (a) from the EMI brand dealer; or (b) in the case of a newly constructed home, from the contractor who purchased such new Product directly from an EMI brand dealer or wholesaler for installation and use in the newly constructed home.

**EMI/RETROAIRE COMMERCIAL AND  
RESIDENTIAL LIMITED WARRANTY**

**The following limited warranty shall apply to only the Original Purchaser, at original installation site, of the EMI/Retroaire Product, used without interruption by the Original Purchaser.**

ECR warrants its Product used in commercial and residential applications to be free from defects in material and workmanship under normal usage for a period of one (1) year from the date of original installation. In the event that any part of such product is found to be defective in material or workmanship during this one-year period, then ECR will repair or replace, at its option, the defective part. Labor charges to diagnose, troubleshoot, remove and install repaired or replaced parts are the responsibility of the Original Purchaser along with any freight charges.

Unit Compressors of such Product shall be free from defects in materials and workmanship under normal usage and maintenance for a period of five (5) years from the date of original installation. In the event that the Unit Compressor is found to be defective in material or workmanship during this period, then ECR will repair or replace, at its option, the defective part. Labor charges to diagnose, troubleshoot, remove and install repaired or replaced parts are the responsibility of the Original Purchaser along with any freight charges.

.....  
**LIMITATIONS/EXCLUSIONS – APPLIES TO ALL  
WARRANTIES**

1. ECR will under no circumstances be responsible for and does not warrant damages or costs due to or arising from misapplication or misuse, improper installation or service, components not supplied or approved by ECR, including,

without limitation, indoor and outdoor units supplied by others, installation and normal maintenance such as, but not limited to, replacing air filters, cleaning, air flow adjustments, Products manufactured or distributed by ECR but installed outside the United States and Canada, damages from unauthorized alteration, application or improper operation, the failure of external wiring or other attachments and accessory products not integral to the Product or the use of parts not supplied or designated by ECR, damages or repairs as a consequence of shipping or handling, damages caused by faulty or interrupted power supply or electrical service, or damages caused by acts of God including, but not limited to, wind, hail, floods, lightening, earthquakes or other conditions beyond the control of ECR.

2. For all sales not subject to the Magnuson-Moss Warranty Act, there are no implied warranties of merchantability or fitness for a particular purpose, all of which are hereby specifically disclaimed. For all other sales, all implied warranties of merchantability and/or fitness for any particular purpose are limited in duration to the period of this Limited Warranty. The rights and remedies provided herein are exclusive and constitute the entire contract. This limited warranty and any optional extended warranties are granted only to the Original Purchaser and become null and void if payment for the goods or product is in default. This Limited Warranty is not transferable.

3. This Limited Warranty in no way can be considered as a guarantee of workmanship of an installer or repairman connected with the installation or service of the Product or as imposing on ECR liability of any nature for unsatisfactory performance as a result of faulty workmanship in the installation or service of the Product, which liability is expressly disclaimed.

4. ECR EXPRESSLY DISCLAIMS, AND IN NO EVENT SHALL ECR BE LIABLE (WHETHER FOR BREACH OF THIS LIMITED WARRANTY OR CONTRACT, FOR STRICT LIABILITY FOR NEGLIGENCE, OR OTHERWISE), FOR ANY SPECIAL, INCIDENTAL, PUNITIVE OR CONSEQUENTIAL DAMAGES, INCLUDING, WITHOUT LIMITATION, DAMAGES FOR LOSS OF PROFITS, LOSS OF GOODWILL, LOSS OF TIME OR CONVENIENCE, LOSS OF USE OF THE PRODUCT, THE COST OF A PRODUCT RENTAL, COSTS OF GASOLINE, ELECTRICITY,

**EMI (COMFORTWAVE CHILLED WATER, ENVIROAIR PTAC)  
RETROAIRE (PTAC, WATER SOURCE HEAT PUMP CONSOLES)  
LIMITED WARRANTY**

Effective Date October 7, 2019

**THIS LIMITED WARRANTY GIVES THE ORIGINAL PURCHASER ONLY SPECIFIC LEGAL RIGHTS AND YOU  
MAY ALSO HAVE OTHER LEGAL RIGHTS WHICH VARY FROM STATE-TO-STATE AND PROVINCE-TO-  
PROVINCE**

Keep this warranty certificate and the installation manual supplied with your unit for future reference.

TELEPHONE, TRAVEL OR LODGING, OR THE LOSS OF PERSONAL OR COMMERCIAL PROPERTY, WHETHER OR NOT ECR HAS BEEN ADVISED OF THE POSSIBILITY OF ANY SUCH DAMAGES.

**PLEASE NOTE: Some states do not allow the exclusion or limitation of incidental or consequential damages, or limitations on how long an implied warranty lasts, so the above limitations and exclusions may not apply to you.**

5. In no event shall ECR's obligations under this Limited Warranty exceed the purchase price of the Product. Any repairs or replacement performed under this limited warranty will apply to the original warranty period only and shall not in any way extend the statute of limitations for claims under this Limited Warranty.

#### **MISCELLANEOUS**

The Magnuson-Moss Warranty Act applies to "consumer" sales as contrasted with "commercial" sales. A consumer sale is one to a buyer for personal, family or household purposes and not for the purpose of resale.

By "implied warranties" we mean ones the law presumes to have been given by the seller even though they are not set out in writing.

"Fitness for a particular purpose" means the seller knows the particular purpose for which the buyer requires the goods, and the buyer relies on the seller's skill and judgment in making the purchase.

"Merchantable" means that the product is fit for the ordinary purposes for which that kind of product is used.

"Incidental" damages include expenses of inspection, obtaining substitute goods, transportation, etc.

"Consequential" damages include injury to persons or property resulting from a breach of warranty, and any loss from general or particular requirements known to us and which you cannot reasonably prevent.

If any provision of this Limited Warranty shall be determined to be illegal, unconscionable or unenforceable, all other terms and provisions hereof shall nevertheless remain effective and shall be enforced to the fullest extent permitted by law. The warranties made under this Limited Warranty are exclusive and may not be altered, enlarged or changed by a distributor, dealer, or other person whatsoever.

#### **PROCEDURE FOR OBTAINING WARRANTY SERVICE**

For prompt warranty service, notify the installer who, in turn, will notify the EMI distributor from whom such installer purchased the Product. If this action does not result in warranty service, the Original Purchaser or installer should contact ECR Customer Service (see contact information below), giving full particulars in support of the claim. Alleged defective part(s) must be returned through trade channels in accordance with ECR's procedure currently in force for handling returned goods for the purpose of inspection or determining the cause of failure. ECR will furnish the new part(s) to an authorized EMI distributor who, in turn, will furnish the part(s) to the contractor who installed the Product.

#### **ECR International, Inc.**

2201 Dwyer Ave. • P.O. Box 4729 • Utica, New York  
13504-4729 Ph: 315/797-1310  
Customer Service Fax: 315/724-9319  
E-Mail: [info@ecrinternational.com](mailto:info@ecrinternational.com)  
Web: [www.ecrinternational.com](http://www.ecrinternational.com)



2201 Dwyer Avenue, Utica, NY 13501  
Tel. 800 325 5479  
[www.ecrinternational.com](http://www.ecrinternational.com)

All specifications subject to change without notice.  
©2019 ECR International, Inc.  
PN 240012848 REV. E [11/27/2019]