



## Utica Heating Gas & Oil Fired Boilers

### Customer Service Technical Support

Phone: 800-325-5479  
Fax: 315-724-9319/866-432-7329  
[www.cticaboilers.com](http://www.cticaboilers.com)

### Corporate Sales

Phone: 877-386-5475  
Fax: 716-366-4670

### Literature

[literature@ecrinternational.com](mailto:literature@ecrinternational.com)



ECR International: 2201 Dwyer Avenue, Utica, NY 13501  
Tel. 315 797 1310 or 800 325 5479 Fax. 315 724 9319 [www.ecrinternational.com](http://www.ecrinternational.com)

P/N 240011138 Rev. E 2/19

## **TABLE OF CONTENTS**

<b>Terms &amp; RMA Policy</b>	<b>3-4</b>
<b>Gas Cast Iron Water Boilers</b> UH15B Series	<b>5-7</b>
<b>Oil Cast Iron Water Boilers</b> UHKW Series II	<b>8-9</b>
UHKW Series II Hydrolevel Control	<b>10-11</b>
<b>Gas Cast Iron Steam Boilers</b> UH16 Series	<b>12-14</b>
<b>H2O Glass Lined Indirect Hot Water Heater</b>	<b>15</b>

**TERMS & CONDITIONS OF SALE - GENERAL TERMS**

**PRICES & SPECIFICATIONS:** All pricing and specifications subject to change without notice. The prices herein supersede all prior quotations.

**PAYMENT TERMS:** Net 30 Days

**ORDERS:** Orders will be accepted on the basis of prices in effect at the time the order is received. No order or contract will become an obligation on our part until accepted by the General Sales Department. ECR International shall not be liable for any delay or failure in the delivery or shipment of goods due to any cause or causes beyond its control.

**TAXES:** Add to the prices and terms quoted any manufacturers' or sales tax payable on the transaction under any effective statute.

**SHIPMENT**

**TRUCK LOADS:** \$40,000 Net Order Value - Freight Prepaid. Indirect Water Heaters and Commercial Boiler lines can be added to any residential order for freight purposes.

Authorized Distributors can combine Argo, Airco, Dunkirk, EMI, Olsen, Pennco and Utica and on one purchase order to earn free freight.

Stop off charges of \$150 will apply to stop off locations within 100 miles of final destination. Please call for pricing for stop off special handling for a location further than 100 miles or for special handling pricing for services such as lift gate, unloading assistance, etc.

**LESS THAN TRUCKLOAD SHIPMENT: F.O.B. ECR INTERNATIONAL - FACTORY OR WAREHOUSE**

**ORDER INFORMATION CHECKLIST**

The following information must be included on equipment or parts orders to insure proper shipment & invoicing:

- 1) Purchase Order Number
- 2) Bill To Address
- 3) Ship To Address
- 4) Method of Shipment (i.e. - trailer load, UPS, etc.)
- 5) Requested Ship Date
- 6) Special Instructions (i.e. - "Carrier to call...")
- 7) Pricing
- 8) Product Description (i.e. - Model, Size, Series, etc.)
- 9) Fuel Characteristics (i.e. Oil, Natural Gas, Propane)
- 10) Electrical Characteristics (i.e. - Operating Voltage, Cycles, Phases, etc.)
- 11) Non-Standard Equipment (Indicate "Optional" when substituted for standard equipment at extra cost listed. added to standard equipment).
- 12) Kits or Parts (Orders for kits or parts must indicate equipment size and series).
- 13) Send orders to:

**E-Mail: [ecrorderentry@ecrinternational.com](mailto:ecrorderentry@ecrinternational.com)**

**Fax: 315-724-9319**

- 14) Please note the following Remit To Address:

**ECR International, Inc.  
P.O. Box 8000 Department 039  
Buffalo, NY 14267**

Continued on Next Page

**TERMS & CONDITIONS OF SALE - GENERAL TERMS CONTINUED**  
**U.S. DISTRIBUTOR - RETURN MATERIAL POLICY - EFFECTIVE 8/18/2014**

To assist in providing the best service to our valued customers, ECR International has developed the following guidelines to help you in the unlikely event that you will need to return merchandise purchased from us. These guidelines have been developed after carefully reviewing common industry practice. We trust that you find them fair and easy to follow.

**Prior Approval Required** - All returns for exchange, credit, repair service or warranty claim must be approved by ECR and require an RMA number prior to return of the material. A request must be completed via ECR International's online web portal. Please log on to [www.ecrcustomerportal.com](http://www.ecrcustomerportal.com) (hyperlink below) to complete your request for return. If you do not already have access to the customer web portal please contact ECR Customer Service at 1-800-325-5479 to be set-up.

**Eligibility** - An RMA Request must be received within 60 days from the date of invoice for returns of New & Unused product in original packaging. A restocking fee of 15% will be charged for all new and unused returns that are approved for return. Special Order Products (items not offered as standard in ECR trade price book) are not eligible for return as new and unused product. Request for Warranty Returns must be made within the period covered by the warranty and must fall under the terms and conditions specified in the warranty.

**Repair Service** - Request for repair or rework of product damaged by customer is classified as Repair Service. Repair Service is billed at \$75.00 per hour for labor and net price for parts used in repair/rework. ECR's Return Material (RM) department will evaluate the items returned for repair service. The customer will receive an estimate for the dollar amount, determined by ECR's RM department, required to complete the repairs requested. A Purchase Order (PO) from the customer for that amount will be required before any work is performed.

**RMA Expiration** - Once the RMA number is issued, the product must be returned within 90 days of the RMA date, or the RMA will be canceled. Products approved for return that are received after 90 days from the RMA date will not be accepted.

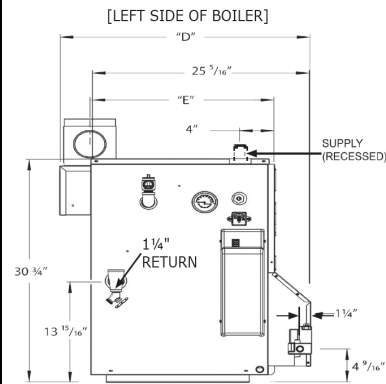
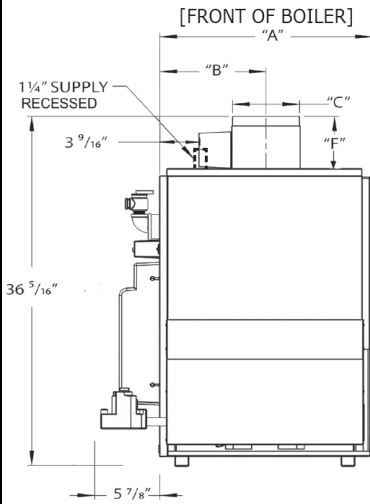
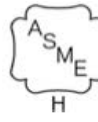
**Shipping & Packaging** - All returns must have a valid RMA number clearly displayed on the exterior of the package or the package will not be accepted. All returns of new and unused product must be in the original packaging. All returns must be shipped prepaid by the customer unless otherwise directed by ECR as indicated on the RMA Verification. Ship all approved return material to the facility indicated on the approved RMA Request by the date indicated.

**Replacement Product** - If replacement product is desired it must be indicated on the RMA Request. A PO# is required for the replacement shipment and must be indicated on the RMA Request. All replacement products will be invoiced at the time of shipment. ECR will pay the ground freight for all warranty replacements.

**Application of Credit** - Credit for returned product will be applied to the customer's account (less restocking fees for New and Unused returns) only after confirmation of receipt by ECR and inspection of the product. Issuance of a credit for a partial return of product does not relieve the customer from the obligation to remit payment for the merchandise not returned in accordance with the payment terms referenced on the customer's invoice(s). Customer will have the option to have any product that is denied for credit returned at their expense.

<http://www.ecrcustomerportal.com>

**UH15B Series II**  
**NATURAL OR PROPANE**  
**HOT WATER BOILER**



**General Information** (See IOM for complete instructions)

Clearances	Combustible Materials (Required) (1)	
(1) Required distances measured from boiler.	Top	18" (457 mm)
	Front	Alcove*
	Flue Connector	6" (152 mm)
	Rear	8" (203 mm)
	Control Side	9" (229 mm)
	Other Side	3" (76 mm)

\*Definition of Alcove is three sided space with no wall in front of boiler. ANSI standard for alcove is 18 inches from front of appliance to leading edge of side walls as shown in IOM.

**PLEASE NOTE: All installations on a combustable floor require combustable floor base. See page 7 for information\***

Connections	Return/Supply Water	Gas In
UH15B045FE through UH15B195FE	1-1/4" NPT	1/2" NPT
UH15B245FE & UH15B295FE		3/4" NPT

**Electrical** 120 Volts AC, 60 hertz, 1 phase, Less than 12 amps (15 amp circuit recommended)

**Water Content** UH15B045FE - 2.4 Gallons, UH15B070FE/UH15B096FE - 4.0 Gallons, UH15B120FE/UH15B145FE - 5.6 Gallons, UH15B170FE/UH15B195FE - 7.2 Gallons, UH15B245FE - 8.8 Gallons, UH15B295FE - 10.4 Gallons

Dimensions						
Model	A	B	C	D	E	F
UH15B045FE	11-1/4"	5-5/8"	4"	27-1/8"	20-7/16"	4-15/16"
UH15B070FE	15-1/8"	7"	5"	28-1/8"	20-15/16"	4-15/16"
UH15B096FE	15-1/8"	7"	5"	28-1/8"	20-15/16"	4-15/16"
UH15B120FE	19"	9-1/2"	6"	29-1/8"	21-7/16"	5-7/16"
UH15B145FE	19"	9-1/2"	6"	29-1/8"	21-7/16"	5-7/16"
UH15B170FE	22-7/8"	11-3/16"	7"	30-1/8"	21-15/16"	5-15/16"
UH15B195FE	22-7/8"	11-3/16"	7"	30-1/8"	21-15/16"	5-15/16"
UH15B245FE	26-3/4"	13-6/16"	8"	31-1/8"	22-7/16"	6-15/16"
UH15B295FE	30-5/8"	15-5/16"	9"	32-1/8"	22-15/16"	8-15/16"

UH15B SERIES CONTINUED								
(NATURAL GAS - HONEYWELL WITH HYDROLEVEL LWCO CONTROL - TACO SYSTEM PUMP)								
BOILER MODEL	ITEM NUMBER	TRADE PRICE	INPUT (MBH)	HTG. CAP. (MBH)	AHRI NET (MBH)	AFUE RATING %	NO. OF BRNS.	SHIP WGT.
UH15B045FE	15B204503710209	\$1,939	45	37	32	82.0%	1	255
UH15B070FE	15B307003710209	\$2,069	70	57	50	82.0%	2	305
UH15B096FE	15B309603710209	\$2,184	96	79	69	82.0%	2	310
UH15B120FE	15B412003710209	\$2,402	120	98	85	82.0%	3	355
UH15B145FE	15B414503710209	\$2,552	145	119	103	82.0%	3	360
UH15B170FE	15B517003710209	\$2,869	170	140	122	82.0%	4	420
UH15B195FE	15B519503710209	\$3,180	195	160	139	82.0%	4	425
UH15B245FE	15B624503710209	\$3,473	245	201	174	82.0%	5	495
UH15B295FE	15B729503710209	\$3,704	295	242	210	82.0%	6	555
(NATURAL GAS - HONEYWELL WITH HYDROLEVEL LWCO CONTROL - GRUNDFOS SYSTEM PUMP)								
BOILER MODEL	ITEM NUMBER	TRADE PRICE	INPUT (MBH)	HTG. CAP. (MBH)	AHRI NET (MBH)	AFUE RATING %	NO. OF BRNS.	SHIP WGT.
UH15B045FE	15B204503720209	\$1,939	45	37	32	82.0%	1	255
UH15B070FE	15B307003720209	\$2,069	70	57	50	82.0%	2	305
UH15B096FE	15B309603720209	\$2,184	96	79	69	82.0%	2	310
UH15B120FE	15B412003720209	\$2,402	120	98	85	82.0%	3	355
UH15B145FE	15B414503720209	\$2,552	145	119	103	82.0%	3	360
UH15B170FE	15B517003720209	\$2,869	170	140	122	82.0%	4	420
UH15B195FE	15B519503720209	\$3,180	195	160	139	82.0%	4	425
UH15B245FE	15B624503720209	\$3,473	245	201	174	82.0%	5	495
UH15B295FE	15B729503720209	\$3,704	295	242	210	82.0%	6	555
(LP GAS - HONEYWELL WITH HYDROLEVEL LWCO CONTROL - TACO SYSTEM PUMP)								
BOILER MODEL	ITEM NUMBER	TRADE PRICE	INPUT (MBH)	HTG. CAP. (MBH)	AHRI NET (MBH)	AFUE RATING %	NO. OF BRNS.	SHIP WGT.
UH15B045FE	15B204513710209	\$1,990	45	37	32	82.0%	1	255
UH15B070FE	15B307013710209	\$2,160	70	57	50	82.0%	2	305
UH15B096FE	15B309613710209	\$2,234	96	79	69	82.0%	2	310
UH15B120FE	15B412013710209	\$2,453	120	98	85	82.0%	3	355
UH15B145FE	15B414513710209	\$2,604	145	119	103	82.0%	3	360
UH15B170FE	15B517013710209	\$2,920	170	140	122	82.0%	4	420
UH15B195FE	15B519513710209	\$3,231	195	160	139	82.0%	4	425
UH15B245FE	15B624513710209	\$3,525	245	201	174	82.0%	5	495
UH15B295FE	15B729513710209	\$3,755	295	242	210	82.0%	6	555
(LP GAS - HONEYWELL WITH HYDROLEVEL LWCO CONTROL - GRUNDFOS SYSTEM PUMP)								
BOILER MODEL	ITEM NUMBER	TRADE PRICE	INPUT (MBH)	HTG. CAP. (MBH)	AHRI NET (MBH)	AFUE RATING %	NO. OF BRNS.	SHIP WGT.
UH15B045FE	15B204513720209	\$1,990	45	37	32	82.0%	1	255
UH15B070FE	15B307013720209	\$2,121	70	57	50	82.0%	2	305
UH15B096FE	15B309613720209	\$2,234	96	79	69	82.0%	2	310
UH15B120FE	15B412013720209	\$2,453	120	98	85	82.0%	3	355
UH15B145FE	15B414513720209	\$2,604	145	119	103	82.0%	3	360
UH15B170FE	15B517013720209	\$2,920	170	140	122	82.0%	4	420
UH15B195FE	15B519513720209	\$3,231	195	160	139	82.0%	4	425
UH15B245FE	15B624513720209	\$3,525	245	201	174	82.0%	5	495
UH15B295FE	15B729513720209	\$3,755	295	242	210	82.0%	6	555

(USE PARTS MULTIPLIER FOR ALL OF THE FOLLOWING)		PN	TRADE
COMBUSTIBLE FLOOR PLATE UH15B045FE	See note below*	325-2-8.01	\$225
COMBUSTIBLE FLOOR PLATE UH15B070FE		325-2-8.02	\$234
COMBUSTIBLE FLOOR PLATE UH15B096FE		325-2-8.02	\$234
COMBUSTIBLE FLOOR PLATE UH15B120FE		325-2-8.03	\$256
COMBUSTIBLE FLOOR PLATE UH15B145FE		325-2-8.03	\$256
COMBUSTIBLE FLOOR PLATE UH15B170FE		325-2-8.04	\$256
COMBUSTIBLE FLOOR PLATE UH15B195FE		325-2-8.04	\$256
COMBUSTIBLE FLOOR PLATE UH15B245FE		325-2-8.05	\$285
COMBUSTIBLE FLOOR PLATE UH15B295FE		325-2-8.06	\$313
UH15B045FE NATURAL GAS TO LP GAS CONVERSION KIT			550001279
UH15B070FE NATURAL GAS TO LP GAS CONVERSION KIT		550001280	\$48
UH15B096FE NATURAL GAS TO LP GAS CONVERSION KIT		550001281	\$48
UH15B120FE NATURAL GAS TO LP GAS CONVERSION KIT		550001282	\$58
UH15B145FE NATURAL GAS TO LP GAS CONVERSION KIT		550001283	\$58
UH15B170FE NATURAL GAS TO LP GAS CONVERSION KIT		550001282	\$58
UH15B195FE NATURAL GAS TO LP GAS CONVERSION KIT		550001285	\$58
UH15B245FE NATURAL GAS TO LP GAS CONVERSION KIT		550001286	\$58
UH15B295FE NATURAL GAS TO LP GAS CONVERSION KIT		550001287	\$64
UH15B045FE LP GAS TO NATURAL GAS CONVERSION KIT		550001270	\$52
UH15B070FE LP GAS TO NATURAL GAS CONVERSION KIT		550001271	\$52
UH15B096FE LP GAS TO NATURAL GAS CONVERSION KIT		550001272	\$52
UH15B120FE LP GAS TO NATURAL GAS CONVERSION KIT		550001273	\$55
UH15B145FE LP GAS TO NATURAL GAS CONVERSION KIT		550001274	\$55
UH15B170FE LP GAS TO NATURAL GAS CONVERSION KIT		550001273	\$55
UH15B195FE LP GAS TO NATURAL GAS CONVERSION KIT		550001276	\$55
UH15B245FE LP GAS TO NATURAL GAS CONVERSION KIT		550001277	\$62
UH15B295FE LP GAS TO NATURAL GAS CONVERSION KIT		550001278	\$62

**UH15B SERIES STANDARD EQUIPMENT**

**STANDARD EQUIPMENT:**

- Boiler Control Module: Honeywell Control with digital display and diagnostics, monitors water temperature and delays burner from starting until the residual heat energy within the boiler is consumed. Features a built-in low water cut-off (LWCO) to protect the boiler from potentially dangerous low water conditions.
- Heat Exchanger: Cast Iron Sections with Cast Iron Push Nipples.
- Combustion: Main Gas Burners, Combination 24 Volt Gas Control (Includes: Automatic Gas Valve, Gas Pressure Regulator, Intermittent Pilot, Safety Shutoff, Pilot Flow Adjustment, Pilot Filter)
- Safety: Spill Switch, Roll-Out Switch, Automatic Vent Damper.
- Other: Insulated Boiler Jacket, Integral Draft Diverter, Combination Temperature/Pressure Gauge, Circulator Pump, 3/4" Drain Valve, 30lb. ASME Relief Valve.

**\*COMBUSTIBLE FLOOR REQUIREMENTS:**

PLEASE NOTE: A central heating boiler shall be installed in accordance with the instructions manual in one (1) of the two (2) following manners. Boilers cannot be installed on carpeting with or without the base or any combustible flooring.

1) For installations on combustible flooring a special base part number 325-2-8.01 (1, 2, 3, 4, 5, 6) MUST be used and available through the distributor.

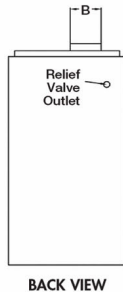
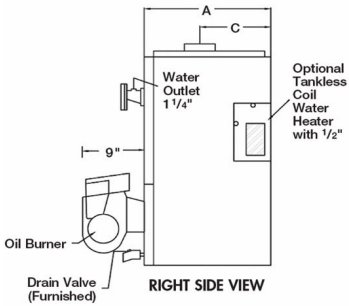
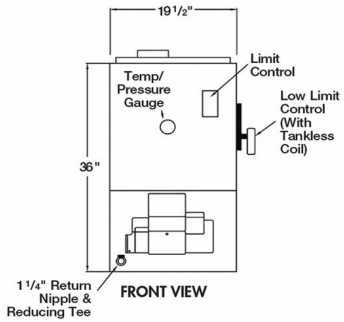
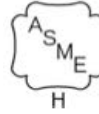
(or)

2) NFPA / ANSI Z223.1, 2015 Edition - section 10.3.3 on a fire resistive slab or 4 inch (1000 mm) minimum cinder block, unsealed and joints matched for air circulation or equivalent 2-hour fire rated assembly, covered with sheet metal 0.0195 (0.50 mm) minimum thickness.

**UHKW II SERIES II**

OIL  
HOT WATER BOILER  
ATMOSPHERIC  
(CHIMNEY VENTED)

50 PSI  
MAWP



**General Information** (See IOM for complete instructions)

Clearances		Combustible Materials Required (1)	Servicing (2)	Flue to Combustible Clearance
(1) Required distances measured from boiler.	Top	6" (152 mm)	18" (457 mm)	18" (457 mm)
	Left Side	6" (152 mm)	N/A	
	Right Side	24" (610 mm)	24" (610 mm)	
	Front	24" (610 mm)	N/A	
	Back	6" (152 mm)	N/A	
	Bottom	Non-Combustible	N/A	
(2) Service, proper operation clearance recommendation.				
<b>Connections</b>	<b>Return/Supply Water</b>			
<b>All Models</b>	1-1/4" NPT			
<b>Electrical</b>	120 Volts AC, 60 hertz, 1 phase, Less than 12 amps (15 amp circuit recommended)			
<b>Water Content</b>	Gallons			
<b>Dimensions</b>				
<b>Model</b>	<b>A "Depth"</b>	<b>B "Flue"</b>	<b>C "Back of Boiler to Center Line of Flue"</b>	
UH3KW	17-3/4"	6"	9-3/4"	
UH4KW	21"	6"	11-3/8"	
UH5KW	24-1/4"	6"	13"	



**UHKW II SERIES II LESS COIL CONTINUED**

**(BECKETT W/TACO)**

BOILER MODEL	ITEM NUMBER	TRADE PRICE	BURNER FIRE RATE	INPUT (MBH)	HTG. CAP. (MBH)	AHRI NET (MBH)	A.F.U.E. RATING %	CHIM DIA.	SHIP WGT.
3KW.75	KWB307531110209	\$2,481	0.75	105	92	80	85.2%	8"X8"X15'	470
4KW1.50	KWB415031110209	\$2,770	1.50	210	179	156	84.0%	8"X8"X15'	545
5KW1.75	KWB517531110209	\$3,368	1.75	245	210	183	84.3%	8"X8"X15'	630

**(BECKETT W/GRUNDFOS)**

BOILER MODEL	ITEM NUMBER	TRADE PRICE	BURNER FIRE RATE	INPUT (MBH)	HTG. CAP. (MBH)	AHRI NET (MBH)	A.F.U.E. RATING %	CHIM DIA.	SHIP WGT.
3KW.75	KWB307531120209	\$2,481	0.75	105	92	80	85.2%	8"X8"X15'	470
4KW1.50	KWB415031120209	\$2,770	1.50	210	179	156	84.0%	8"X8"X15'	545
5KW1.75	KWB517531120209	\$3,368	1.75	245	210	183	84.3%	8"X8"X15'	630

**KW II SERIES II WITH COIL**

**(BECKETT W/TACO)**

BOILER MODEL	ITEM NUMBER	TRADE PRICE	BURNER FIRE RATE	INPUT (MBH)	HTG. CAP. (MBH)	AHRI NET (MBH)	A.F.U.E. RATING %	CHIM DIA.	TANK-LESS G.P.M.	SHIP WGT .
3KW.75	KWB307532110209	\$2,781	0.75	105	92	80	85.2%	8"X8"X15'	3.00	470
4KW1.50	KWB415032110209	\$3,265	1.50	210	179	156	84.0%	8"X8"X15'	3.75	545
5KW1.75	KWB517532110209	\$3,752	1.75	245	210	183	84.3%	8"X8"X15'	4.00	630

**(BECKETT W/GRUNDFOS)**

BOILER MODEL	ITEM NUMBER	TRADE PRICE	BURNER FIRE RATE	INPUT (MBH)	HTG. CAP. (MBH)	AHRI NET (MBH)	A.F.U.E. RATING %	CHIM DIA.	TANK-LESS G.P.M.	SHIP WGT .
3KW.75	KWB307532120209	\$2,781	0.75	105	92	80	85.2%	8"X8"X15'	3.00	470
4KW1.50	KWB415032120209	\$3,265	1.50	210	179	156	84.0%	8"X8"X15'	3.75	545
5KW1.75	KWB517532120209	\$3,752	1.75	245	210	183	84.3%	8"X8"X15'	4.00	630

**(USE PARTS MULTIPLIER FOR ALL OF THE FOLLOWING)**

	PN	TRADE
3 SECTION RE-RATE KIT (0.75 TO 0.60 OR 1.00 G.P.H.)	550002646	\$25
4 SECTION RE-RATE KIT (1.50 TO 0.90 OR 1.25 G.P.H.)	550002647	\$25
5 SECTION RE-RATE KIT (1.75 TO 1.20 OR 2.00 G.P.H.)	550002648	\$60
FILL-TROL #110 FOR WATER BOILERS 150 MBH OR LESS	14624002	\$306
FILL-TROL #111 FOR WATER BOILERS OVER 150 MBH	14624003	\$412

**UHKW II SERIES II - STANDARD EQUIPMENT**

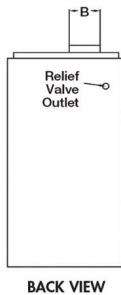
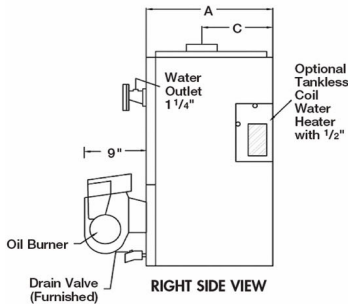
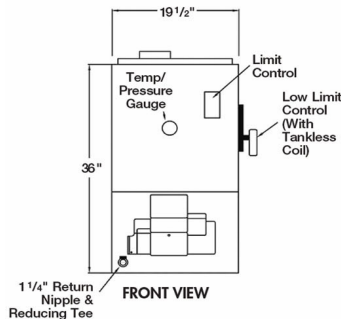
**STANDARD EQUIPMENT:**

- Boiler Control Module: Honeywell Combination High Limit Control and Circulator Relay Control with digital temperature display and diagnostics.
- Heat Exchanger: Cast Iron Sections with Cast Iron Push Nipples.
- Combustion: Completely installed and wired Beckett AFG Series Oil Burner equipped with Nozzle, Primary Control, CAD Cell, PSC Motor, Interrupted Duty Ignition and Clean Cut Pump; Flue Brush; Target Wall (Vacuum Formed Refractory Ceramic Fiber); Dura Blanket Insulation Chamber and Barometric Draft Control 6".
- Other: Assembled Boiler with Insulated Jacket, Combination Temperature/Pressure Gauge, Circulator Pump wired with 5' harness for supply or return mounting in the field, 3/4" Boiler Drain Valve, 30 psi ASME Relief Valve, Extra Boiler Tap for Expansion Tank or Air Elimination.

**UHKW II SERIES II**

OIL  
HOT WATER BOILER  
ATMOSPHERIC  
(CHIMNEY VENTED, HYDROLEVEL CONTROL)

50 PSI  
MAWP



**General Information** (See IOM for complete instructions)

Clearances		Combustible Materials Required (1)	Servicing (2)	Flue to Combustible Clearance
		(1) Required distances measured from boiler.	6" (152 mm)	18" (457 mm)
Top	6" (152 mm)	N/A		
Left Side	24" (610 mm)	N/A		
Right Side	6" (152 mm)	N/A		
(2) Service, proper operation clearance recommendation.	Front	6" (152 mm)	N/A	
	Back	Non-Combustible	N/A	
	Bottom			

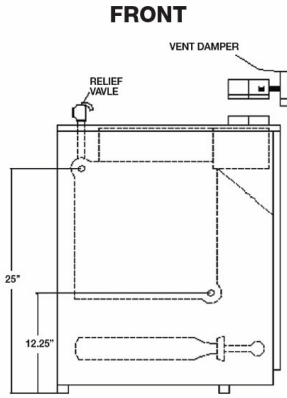
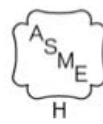
<b>Connections</b>	<b>Return/Supply Water</b>		
<b>All Models</b>	1-1/4" NPT		
<b>Electrical</b>	120 Volts AC, 60 hertz, 1 phase, Less than 12 amps (15 amp circuit recommended)		
<b>Water Content</b>	UH3KW - 9.6 Gallons, UH4W - 11.6 Gallons, UH5KW - 13.7 Gallons		

<b>Dimensions</b>			
Model	A "Depth"	B "Flue"	C "Back of Boiler to Center Line of Flue"
UH3KW	17-3/4"	6"	9-3/4"
UH4KW	21"	6"	11-3/8"
UH5KW	24-1/4"	6"	13"

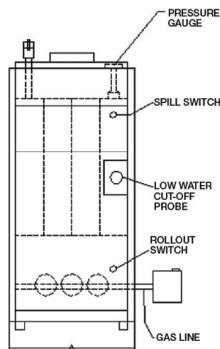
UHKW II SERIES II LESS COIL CONTINUED										
(BECKETT W/TACO, HYDROLEVEL CONTROL)										
BOILER MODEL	ITEM NUMBER	TRADE PRICE	BURNER FIRE RATE	INPUT (MBH)	HTG. CAP. (MBH)	AHRI NET (MBH)	A.F.U.E. RATING %	CHIM DIA.	SHIP WGT.	
3KW.75	KWB307531210209	\$2,573	0.75	105	92	80	85.2%	8"X8"X15'	470	
4KW1.50	KWB415031210209	\$2,861	1.50	210	179	156	84.0%	8"X8"X15'	545	
5KW1.75	KWB517531210209	\$3,460	1.75	245	210	183	84.3%	8"X8"X15'	630	
(BECKETT W/GRUNDFOS, HYDROLEVEL CONTROL)										
BOILER MODEL	ITEM NUMBER	TRADE PRICE	BURNER FIRE RATE	INPUT (MBH)	HTG. CAP. (MBH)	AHRI NET (MBH)	A.F.U.E. RATING %	CHIM DIA.	SHIP WGT.	
3KW.75	KWB307531220209	\$2,573	0.75	105	92	80	85.2%	8"X8"X15'	470	
4KW1.50	KWB415031220209	\$2,861	1.50	210	179	156	84.0%	8"X8"X15'	545	
5KW1.75	KWB517531220209	\$3,460	1.75	245	210	183	84.3%	8"X8"X15'	630	
KW II SERIES II WITH COIL										
(BECKETT W/TACO, HYDROLEVEL CONTROL)										
BOILER MODEL	ITEM NUMBER	TRADE PRICE	BURNER FIRE RATE	INPUT (MBH)	HTG. CAP. (MBH)	AHRI NET (MBH)	A.F.U.E. RATING %	CHIM DIA.	TANK-LESS G.P.M.	SHIP WGT.
3KW.75	KWB307532210209	\$2,873	0.75	105	92	80	85.2%	8"X8"X15'	3.00	470
4KW1.50	KWB415032210209	\$3,357	1.50	210	179	156	84.0%	8"X8"X15'	3.75	545
5KW1.75	KWB517532210209	\$3,808	1.75	245	210	183	84.3%	8"X8"X15'	4.00	630
(BECKETT W/GRUNDFOS, HYDROLEVEL CONTROL)										
BOILER MODEL	ITEM NUMBER	TRADE PRICE	BURNER FIRE RATE	INPUT (MBH)	HTG. CAP. (MBH)	AHRI NET (MBH)	A.F.U.E. RATING %	CHIM DIA.	TANK-LESS G.P.M.	SHIP WGT.
3KW.75	KWB307532220209	\$2,873	0.75	105	92	80	85.2%	8"X8"X15'	3.00	470
4KW1.50	KWB415032220209	\$3,357	1.50	210	179	156	84.0%	8"X8"X15'	3.75	545
5KW1.75	KWB517532220209	\$3,845	1.75	245	210	183	84.3%	8"X8"X15'	4.00	630
(USE PARTS MULTIPLIER FOR ALL OF THE FOLLOWING)						PN	TRADE			
3 SECTION RE-RATE KIT (0.75 TO 0.60 OR 1.00 G.P.H.)						550002646	\$25			
4 SECTION RE-RATE KIT (1.50 TO 0.90 OR 1.25 G.P.H.)						550002647	\$25			
5 SECTION RE-RATE KIT (1.75 TO 1.20 OR 2.00 G.P.H.)						550002648	\$60			
FILL-TROL #110 FOR WATER BOILERS 150 MBH OR LESS						14624002	\$306			
FILL-TROL #111 FOR WATER BOILERS OVER 150 MBH						14624003	\$412			
UHKW II SERIES II - STANDARD EQUIPMENT										
<b><u>STANDARD EQUIPMENT:</u></b>										
<ul style="list-style-type: none"> <li>- Boiler Control Module: Hydrolevel Fuel Smart Hydrostat Control - combination Low Water Cut Off with boiler temperature reset and circulator control.</li> <li>- Heat Exchanger: Cast Iron Sections with Cast Iron Push Nipples.</li> <li>- Combustion: Completely installed and wired Beckett AFG Series Oil Burner equipped with Nozzle, Primary Control, CAD Cell, PSC Motor, Interrupted Duty Ignition and Clean Cut Pump; Flue Brush; Target Wall (Vacuum Formed Refractory Ceramic Fiber); Dura Blanket Insulation Chamber and Barometric Draft Control 6".</li> <li>- Other: Assembled Boiler with Insulated Jacket, Combination Temperature/Pressure Gauge, Circulator Pump wired with 5' harness for supply or return mounting in the field, 3/4" Boiler Drain Valve, 30 psi ASME Relief Valve, Extra Boiler Tap for Expansion Tank or Air Elimination.</li> </ul>										

**UH16 Series**  
**GAS STEAM BOILER**  
**ATMOSPHERIC**  
**(CHIMNEY VENTED)**

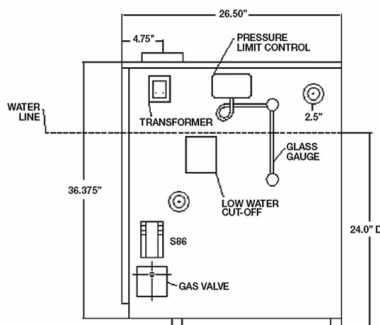
15 PSI  
 MAWP



**LEFT SIDE**



**RIGHT SIDE**



**General Information** (See IOM for complete instructions)

Clearances	Combustible Materials Required (1)	
	<b>(1) Required distances measured from boiler.</b>	<b>Top</b>
<b>Left Side</b>		7" (178 mm)
<b>Right Side</b>		6" (152 mm)
<b>Front</b>		Alcove*
<b>Back</b>		6" (152 mm)
<b>Flue Connector</b>		6" (152 mm)

\*Definition of Alcove is three sided space with no wall in front of boiler. ANSI standard for alcove is 18 inches from front of appliance to leading edge of side walls as shown in IOM.

**PLEASE NOTE: All installations on a combustible floor require combustible floor base. See page 14 for information\***

Connections	Supply	Return
		Two 2 - 1/2"

**Electrical** 120 Volts AC, 60 hertz, 1 phase, Less than 12 amps (15 amp circuit recommended)

Dimensions	
Model	A "Width"
UH1603HSID	11-1/4"
UH1604HSID	14-1/2"
UH1605HSID	17-3/4"
UH1606HSID	21"
UH1607HSID	24-1/4"
UH1608HSID	27-1/2"
UH1609HSID	30-3/4"

(NATURAL GAS)

BOILER MODEL	ITEM NUMBER	TRADE PRICE	INPUT (MBH)	HTG. CAP. (MBH)	AHRI NET (MBH)	AHRI NET SQ. FT. STEAM	AFUE RATING %	FLUE DIA.	SHIP WGT.
UH1603HSID	16B307503100209	\$2,472	75	62	47	196	82.7%	5"	297
UH1604HSID	16B411203100209	\$2,765	112	91	68	283	82.0%	6"	368
UH1605HSID	16B515003100209	\$3,089	150	122	92	383	82.0%	6"	440
UH1606HSID	16B618703100209	\$3,531	187	153	115	479	82.0%	7"	512
UH1607HSID	16B722503100209	\$3,943	225	183	137	571	82.0%	7"	584
UH1608HSID	16B826203100209	\$4,356	262	214	161	671	82.0%	7"	659
UH1609HSID	16B929903100209	\$4,641	299	245	184	767	82.0%	7"	736

(LP GAS)

Note: These units are not built as LP Gas Models. Ratings shown are for models converted to LP using LP Conversion Kits listed below.

BOILER MODEL	ITEM NUMBER	TRADE PRICE	INPUT (MBH)	HTG. CAP. (MBH)	AHRI NET (MBH)	AHRI NET SQ. FT. STEAM	AFUE RATING %	FLUE DIA.	SHIP WGT.
UH1603HSID	16B307503100209	\$2,472	70	58	44	183	82.7%	5"	297
UH1604HSID	16B411203100209	\$2,765	105	85	64	267	80.4%	6"	368
UH1605HSID	16B515003100209	\$3,089	140	114	86	358	80.6%	6"	440
UH1606HSID	16B618703100209	\$3,531	175	143	107	446	80.9%	7"	512
UH1607HSID	16B722503100209	\$3,943	210	171	128	533	81.1%	7"	584
UH1608HSID	16B826203100209	\$4,356	245	200	150	625	81.3%	7"	659
UH1609HSID	16B929903100209	\$4,641	280	229	172	717	81.5%	7"	736

(USE PARTS MULTIPLIER FOR ALL OF THE FOLLOWING)

	PN	TRADE
3 SECTION NATURAL GAS TO LP GAS CONVERSION KIT	43300723	\$51
4 SECTION NATURAL GAS TO LP GAS CONVERSION KIT	43300724	\$51
5 SECTION NATURAL GAS TO LP GAS CONVERSION KIT	43300725	\$51
6 SECTION NATURAL GAS TO LP GAS CONVERSION KIT	43300726	\$61
7 SECTION NATURAL GAS TO LP GAS CONVERSION KIT	43300727	\$61
8 SECTION NATURAL GAS TO LP GAS CONVERSION KIT	43300728	\$61
9 SECTION NATURAL GAS TO LP GAS CONVERSION KIT	43300729	\$61
4 SECTION LP GAS TO NATURAL GAS CONVERSION KIT	43300632	\$137
5 SECTION LP GAS TO NATURAL GAS CONVERSION KIT	43300633	\$137
6 SECTION LP GAS TO NATURAL GAS CONVERSION KIT	43300634	\$137
7 SECTION LP GAS TO NATURAL GAS CONVERSION KIT	43300635	\$137
8 SECTION LP GAS TO NATURAL GAS CONVERSION KIT	43300636	\$137
9 SECTION LP GAS TO NATURAL GAS CONVERSION KIT	43300637	\$164
COMBUSTIBLE FLOOR PLATE FOR ALL CAPACITIES	See note on next page*	
WF2 WATER FEEDER USED WITH PS802 LWCO	1630001	\$488

UH16 SERIES - STANDARD EQUIPMENT

**STANDARD EQUIPMENT:**

- Boiler Controls: LWCO (Probe Type), Pressure Limit Control, Steam Pressure Gauge, Gauge Glass.
- Heat Exchanger: Cast Iron Sections with Cast Iron Push Nipples, (2) - 2-1/2" Supply Tappings; (2) - 2-1/2" Return Tappings.
- Combustion: Completely installed and wired gas control system consisting of: Titanium Composite Burners, Gas Manifold with Orifices, Automatic Redundant Combination Gas Valve 24 Volt, with Pilot Filter and Regulator, Intermittent Pilot Control, Continuous Retry 100% Shut-Off, Combination Pilot Burner/Electrode/Flame Sensor and Integral Draft Diverter
- Electrical: 24 Volt Transformer.
- Safety: Flame Roll-Out Safety Shut-Off Fuse Link (Roll-Out Switch) and Blocked Vent Safety Shut-Off Manual Reset Disc Thermostat (Spill Switch) with Spare Fuse Link included. 15 psi ASME Pop Safety Valve.
- Other: Cast Iron Boiler with Insulated Jacket; Boiler Drain.

**\*COMBUSTIBLE FLOOR REQUIREMENTS:**

PLEASE NOTE: A central heating boiler shall be installed in accordance with the instructions manual in the following manner. Boilers cannot be installed on carpeting with or without the base or any combustible flooring.

A) For installations on combustible flooring a special base MUST be used per the manufacturer and NFPA 54 / ANSI Z223.1, 2015 Edition, section 10.3.3.

Equipment must be installed on a fire-resistive slab or 4 inch (1000 mm) minimum cinder block, unsealed and joints matched for air circulation *or* equivalent 2-hour fire rated assembly, covered with sheet metal 0.0195 (0.50 mm) minimum thickness.

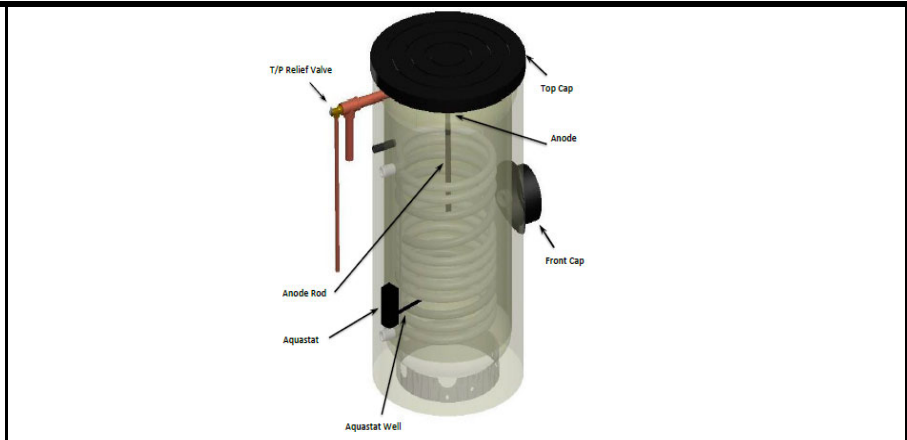
For questions on boiler placement or combustible floor requirements please call 1-800-253-7900.

## H2O GL SERIES

### GLASS LINED INDIRECT WATER HEATER



(40GL Model Shown)



Note: Working pressure 150 psi for all capacities

#### General Information (See IOM for complete instructions)

Model	Piping Connections NPT		Dia. (Inches)	Height (Inches)
	Domestic Water In/Out (Inches)	Boiler Water In/Out (Inches)		
H2O 30 GL	1	1	24	33
H2O 40 GL	1	1	24	45
H2O 50 GL	1	1	24	51
H2O 80 GL	1	1	30	48
H2O 105 GL	1	1	30	62

#### H2O GL SERIES INDIRECT WATER HEATERS

SKU	MODEL	TRADE PRICE	STOR. CAP. (Gals.)	BTU/H MIN. BOILER OUTPUT	MAX 1ST HR FLOW RATINGS GAL./HR.	SHP. WGT. (LBS)
H2OIG30UH	H2O 30 GL	\$1,012	31	75	116	119
H2OIG40UH	H2O 40 GL	\$1,032	42	105	198	180
H2OIG50UH	H2O 50 GL	\$1,175	53	110	212	200
H2OIG80UH	H2O 80 GL	\$1,630	79	110	228	243
H2OIG105UH	H2O 105 GL	\$2,550	106	115	270	393

#### H2O GL SERIES OPTIONS/ADDITIONAL EQUIPMENT

	PN	TRADE
ANODE KIT; 30 GAL.	550003640	\$31
ANODE KIT; 40-50 GAL.	550003505	\$31
ANODE KIT; 80-105 GAL.	550003527	\$61
PLASTIC TOP CAP 40-50 GAL.	240012211	\$24
PLASTIC TOP CAP 80-105 GAL.	240012239	\$33
PLASTIC FRONT CAP	240012212	\$8
T & P VALVE 3/4, 100XL-8	240010926	\$45
AQUASTAT WELL	AQ-020.01	\$30
AQUASTAT L4080B1352	240009521	\$124
FLANGE CAP 40-50 GAL.	240012250	\$33
FLANGE CAP 80-105 GAL.	240012251	\$12
FLANGE GASKET 40-50 GAL.	240012210	\$2
FLANGE GASKET 80-105 GAL.	240012238	\$4
HARDWARE KIT 40-50 GAL.	550003510	\$4
HARDWARE KIT 80-105 GAL.	550003525	\$4

#### H2O GL SERIES INDIRECT WATER HEATER STANDARD EQUIPMENT

**STANDARD EQUIPMENT:** Smooth enameled coil, magnesium anode rod and temperature pressure relief valve, Honeywell Aquastat. Water tank temperature gauge.