

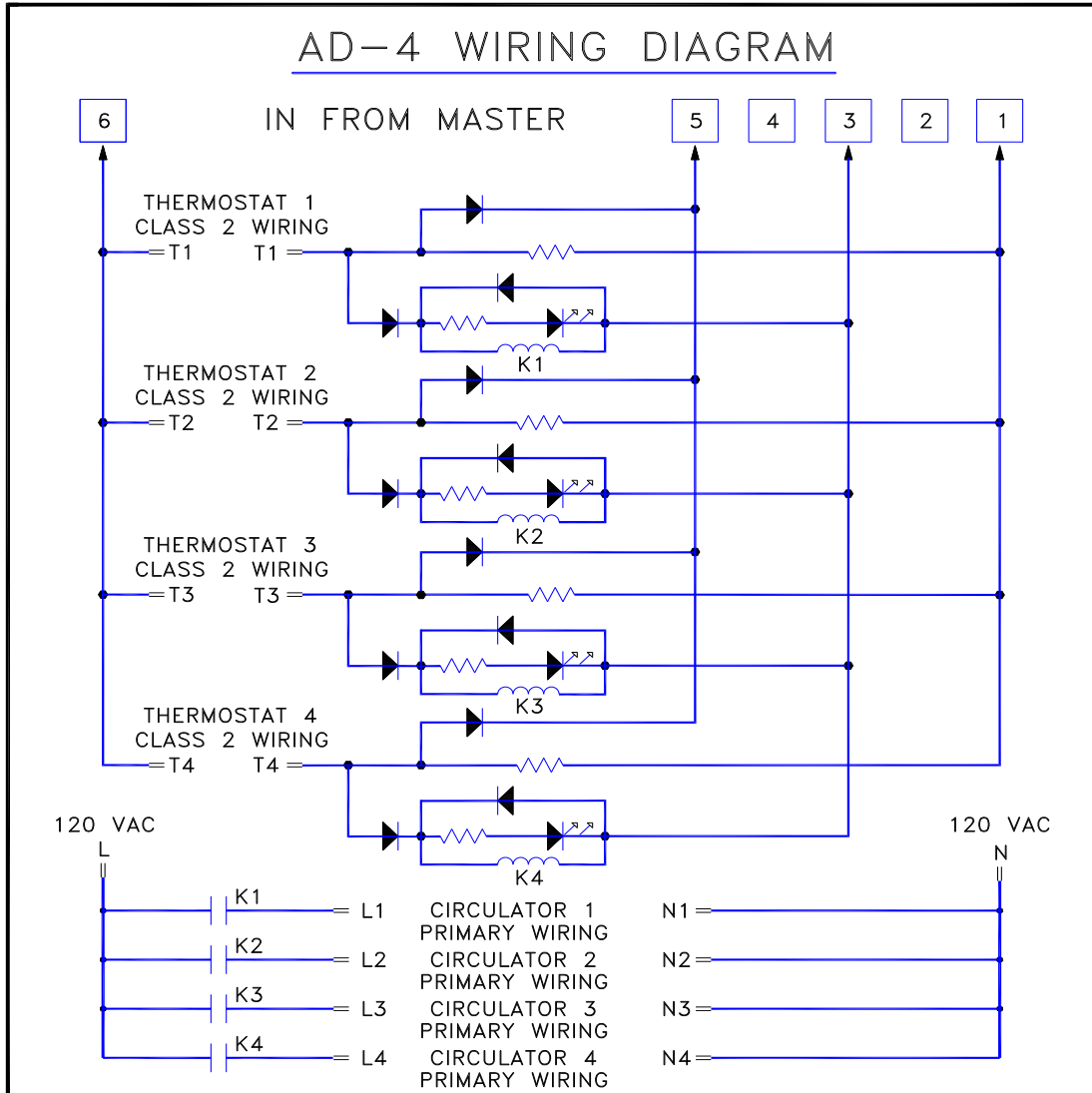


## AD-4 Zone Module

Plugs into Master ARM series priority relays to add 4 additional heating relays.

(ARM842, ARM861, ARM866, ARM842DP, ARM861DP, ARM866DP, ARM-2P, ARM-3P, ARM-4P, ARM-6P or AD-1)

Do not exceed total number of zones listed on master relay. All wiring must be copper and comply with applicable electrical codes including wire size, type of insulation, enclosure electrical rating. All Primary Wiring must be 14 AWG minimum. Torque terminal screws 6 to 7 inch lbs.



<b>AD-4</b>	Switching Action	Thermostat Current	Single Phase Motor Rating	
	DPST		0.180	120V AC
			7.2A 1/3 HP	7.2A 1/2 HP



**ECR international**

2201 Dwyer Avenue, Utica, NY 13501  
Tel. 800 253 7900  
[www.ecrinternational.com](http://www.ecrinternational.com)

All specifications subject to change without notice.  
©2018 ECR International, Inc.  
PN W16 REV.C [03/01/2018]