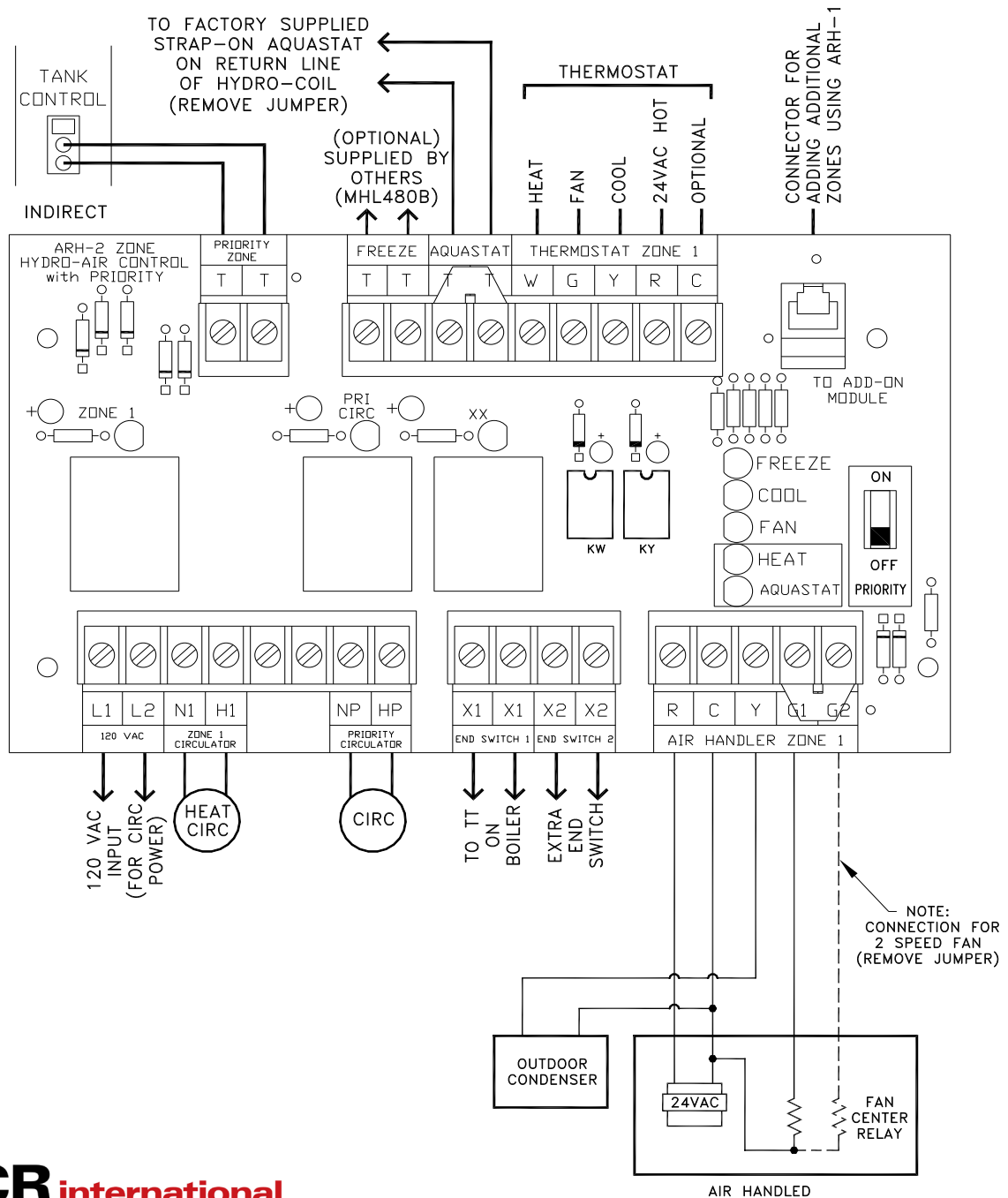




ARH-2 WIRING INSTRUCTIONS

2 ZONE HYDRO-AIR CONTROL

(1 AIR HANDLER AND 1 PRIORITY ZONE)



2201 Dwyer Avenue, Utica, NY 13501
 Tel. 800 253 7900
www.ecrinternational.com

All specifications subject to change without notice.
 ©2018 ECR International, Inc.
 PN W65 REV. D [03/01/2018]