



# AZ-3 ZONE VALVE CONTROL

## INSTALLATION

### WHEN INSTALLING THIS PRODUCT...

Read these instructions carefully. Failure to follow instructions can damage product or cause a hazardous condition.

Check the ratings given in the instructions and on the product to make sure the product is suitable for you application.

Make sure installer is a trained, experience service technician.

After completing installation, use these instructions to check out product operation.

**WARNING**

Electrical shock hazard. Turn OFF electrical power supply before wiring. Failure to do so could result in death or serious injury.

## MOUNTING

For replacement, mount the control in the same location as the old control. If it is a new installation, locate the control vertically on a solid wall or partition as close as possible to the device to be controlled. Select a location that is easily accessible for installation and service.

Note: To reduce the possible transformer hum and rely noise that is sometimes amplified by mounting surfaces such as sheet-metal, plasterboard and similar materials, place rubber or felt washer between the case and the mounting surface.

1. Position the control and mark the holes.
2. Start screws for the keyhole type mounting holes in the upper corners. Screw them down within about 1/8 in.(3mm) of the bottom screws.
3. Tighten all screws.

### PRIMARY WIRING

All wiring must comply with all applicable electrical codes, ordinances and regulations. Follow any instructions furnished with the controlled equipment. This device is intended to be grounded by an insulated ground and connected to a metal wiring system (conduit).

### IMPORTANT

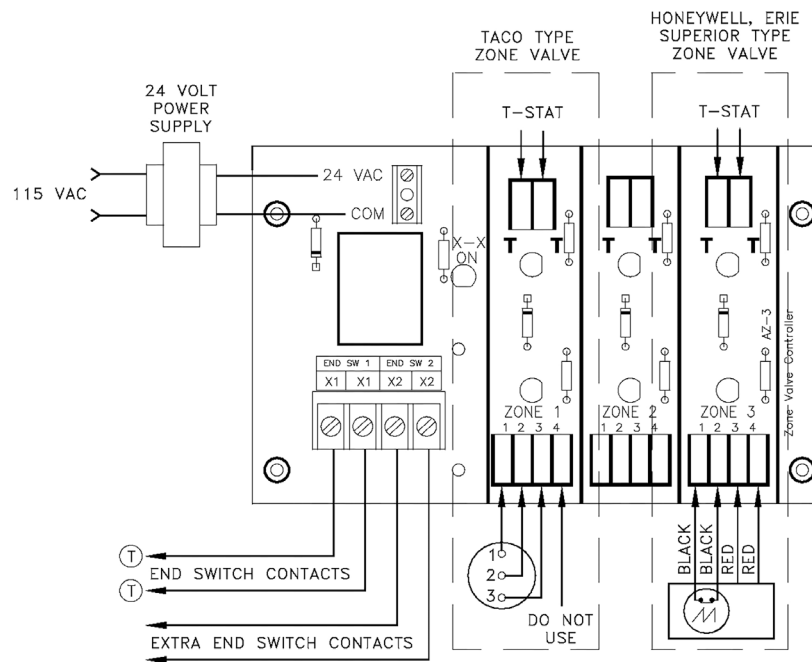
\*If installing mercury switch type thermostats (ex Honeywell T87), the heat anticipator must match the amp draw of the zone valve being used.

The switching rely terminals are approved for use with copper wires only. Torque terminal block screws 6 to 7 inch lbs.

(Replaces AZV-243)

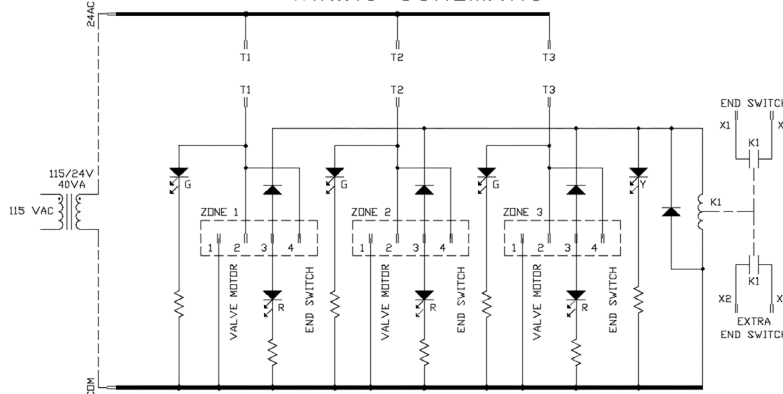
### OPERATION:

For each zone, when a thermostat closes, the zone valve is energized (Green light comes on) and fully opened when red light comes on. Yellow light indicates the end switch is closed and allows circulator relay or other control to operate.



Note: Install wire jumper between terminals 3 and 4 when using zone valve without an end switch.

### WIRING SCHEMATIC



2201 Dwyer Avenue, Utica, NY 13501  
Tel. 800 253 7900  
[www.ecrinternational.com](http://www.ecrinternational.com)

All specifications subject to change without notice.

©2018 ECR International, Inc.  
PN W81 REV. C [03/01/2018]