



# Technical Bulletin

**BULLETIN NO. UB-8.25.2011**

**DATE:** August 25, 2011

**TO:** All Utica Boiler Customers

**FROM:** ECR International, Inc. Technical Service Department

**TITLE:** MGB Heat Exchanger Revision



## MODELS AFFECTED

<b>MGB 50-300</b>	Nat & LP Gas	Spark and Std Pilot	Effective Date: September, 2011
-------------------	--------------	---------------------	------------------------------------

## SITUATION:

The current heat exchanger used on the MGB series Utica Boiler has been replaced with a new style casting of advanced design.

The flowing changes to the MGB series have been incorporated into all new equipment effective manufacturing date September, 2011. The model description of the MGB series in the future will be as described an example MGB-100JID (spark) or MGB-100JD (standing pilot)

If you should have any questions at all on these changes to the product or on a replacement block assembly, please feel free to contact the ECR Technical Service Department at 1.800.325.5479 Extension # 7022.

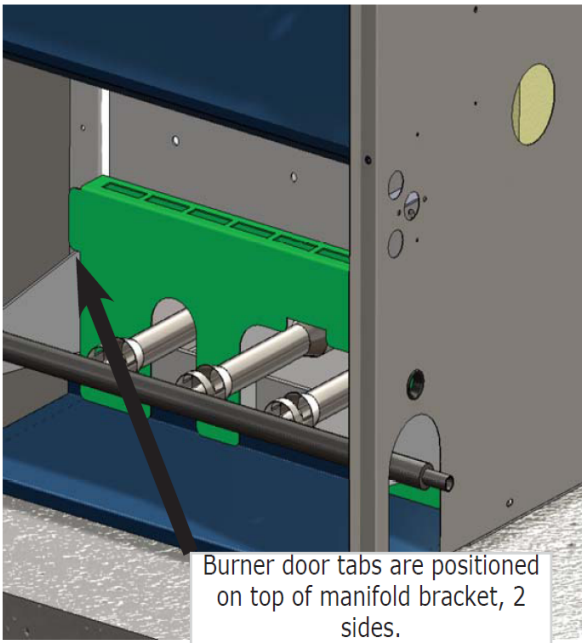


**MGB Heat Exchanger Revision**  
**BULLETIN NO. UB- 8.25.2011**

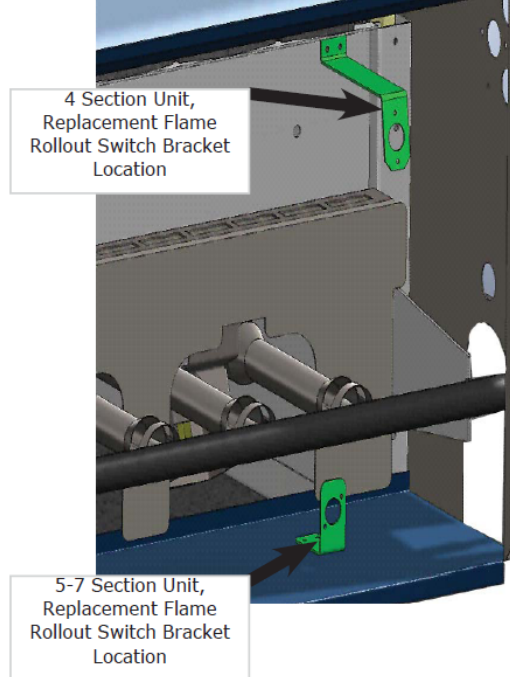
Incorporated changes to the **MGB** series includes the following:

Input (Mbh)	50	75	100	125	150	175	200	250	300
Sections	2	3		4		5		6	7
Label				✓	✓	✓	✓	✓	✓
Replace Base & Rollout Switch				✓	✓				
Replace Rollout Switch Bracket On Base Panel						✓	✓	✓	✓
Draft Diverter w/ New Blocked Vent Safety Switch Bracket								✓	
Replace Burner Door, Lower Access Panel Door, & Spark Pilot Shield				✓	✓	✓	✓	✓	✓

**Figure 1 - Replacement Burner Door with Tabs**



**Figure 2 - Replacement Flame Rollout Switch Bracket**





**MGB Heat Exchanger Revision**  
**BULLETIN NO. UB- 8.25.2011**

Figure 3 - Pilot Shield Bracket

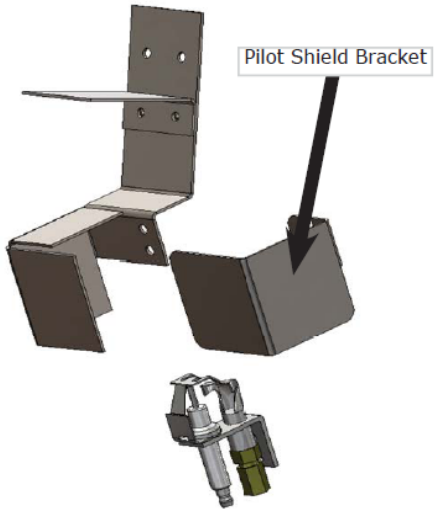


Figure 4 - Pilot Shield Location

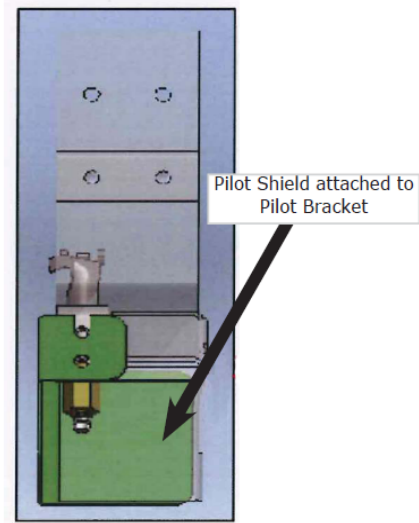
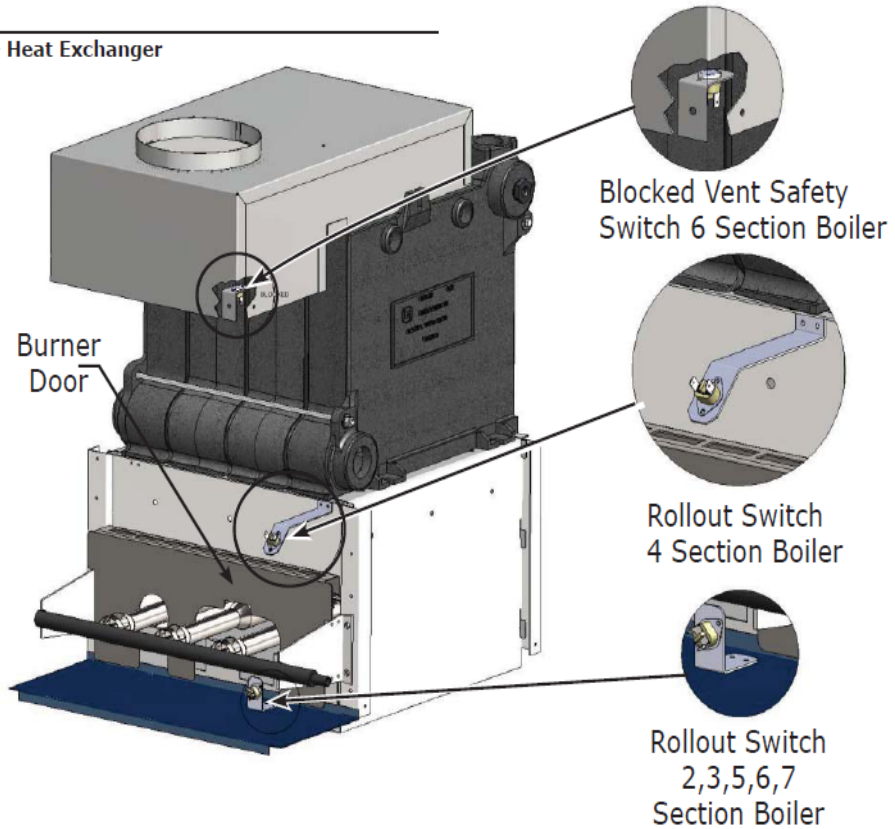


Figure 5 - Heat Exchanger





**MGB Heat Exchanger Revision  
BULLETIN NO. UB- 8.25.2011**



**Replacement Heat Exchangers On Older Products**

The new heat exchanger has been engineered to be replaceable into any of the older series MGB models with the following field update kits. These kits will be shipped with a replacement block when ordered as future replacements.

<b>Boiler Model</b>	<b>MGB-50</b>	<b>MGB-75 MGB-100</b>	<b>MGB-125 MGB-150</b>	<b>MGB-175 MGB-200</b>	<b>MGB-250</b>	<b>MGB-300</b>
Sections	2	3	4	5	6	7
Replacement Number	912000001	912000002	550002349	550002350	550002351	550002352

If you should have any questions at all on these changes to the product or on a replacement block assembly, please feel free to contact the ECR Technical Service Department at 1.800.325.5479 Extension # 7022.